



US00D877793S

(12) **United States Design Patent** (10) **Patent No.:** **US D877,793 S**  
**Klein et al.** (45) **Date of Patent:** **\*\* Mar. 10, 2020**

(54) **MONITORING CAMERA**

(56) **References Cited**

(71) Applicant: **AXIS AB**, Lund (SE)

U.S. PATENT DOCUMENTS

(72) Inventors: **Malin Klein**, Lund (SE); **Magnus Ainetoft**, Lund (SE); **Daniel Ahman**, Lomma (SE); **Simon Mansson**, Lund (SE)

5,394,184 A	2/1995	Anderson et al.	
D556,236 S	11/2007	Kim	
D628,225 S	11/2010	Deurwaarder	
8,066,438 B2	11/2011	Takahashi	
D721,755 S	1/2015	Ahman et al.	
D740,874 S	10/2015	Ahman et al.	
D756,437 S	5/2016	Bennermark et al.	
D791,849 S *	7/2017	Zhang	D16/203
D796,567 S *	9/2017	Bingleman	D16/203
D796,568 S *	9/2017	Bingleman	D16/203
D798,934 S *	10/2017	Wu	D16/203
D815,173 S *	4/2018	Hikima	D16/203

(73) Assignee: **AXIS AB**, Lund (SE)

(\*\*) Term: **15 Years**

(21) Appl. No.: **29/683,607**

(Continued)

(22) Filed: **Mar. 14, 2019**

**Related U.S. Application Data**

FOREIGN PATENT DOCUMENTS

(62) Division of application No. 29/619,777, filed on Oct. 2, 2017, now Pat. No. Des. 861,057.

TW D157863 12/2013

*Primary Examiner* — Ramzi S Almatrahi

(30) **Foreign Application Priority Data**

(74) *Attorney, Agent, or Firm* — Volpe and Koenig, P.C.

Mar. 31, 2017	(EM)	003833409-0001
Mar. 31, 2017	(EM)	003833409-0002
Mar. 31, 2017	(EM)	003833409-0003
Mar. 31, 2017	(EM)	003833409-0004
Mar. 31, 2017	(EM)	003833409-0005

(57) **CLAIM**

The ornamental design for a monitoring camera, as shown and described.

(51) **LOC (12) Cl.** ..... **16-05**

**DESCRIPTION**

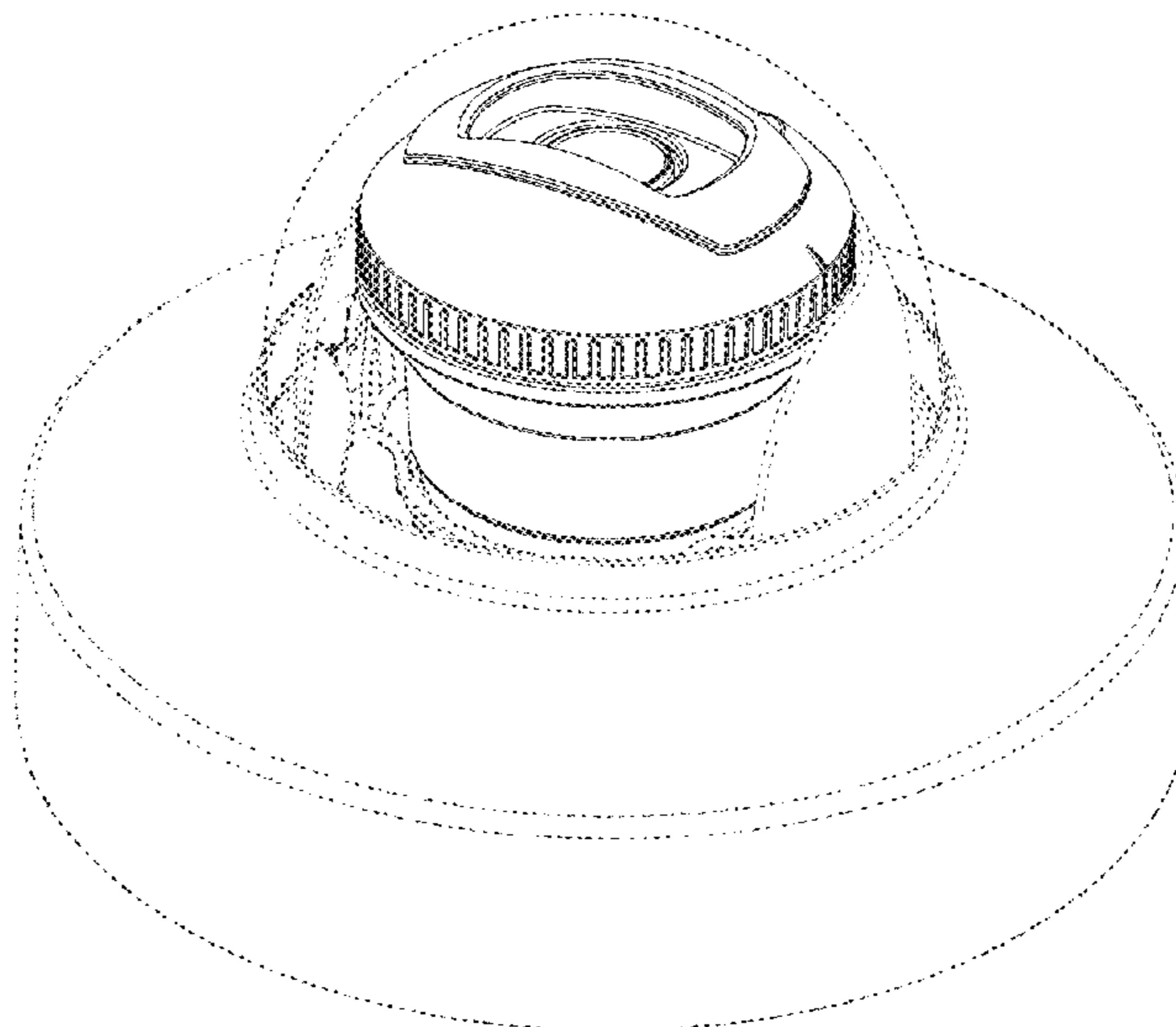
(52) **U.S. Cl.**  
USPC ..... **D16/219**; D16/203

FIG. 1 is a perspective view of a monitoring camera in accordance with our design;  
FIG. 2 is a top plan view thereof;  
FIG. 3 is a front elevational view thereof;  
FIG. 4 is a left side elevational view thereof;  
FIG. 5 is a right side elevational view thereof;  
FIG. 6 is a rear elevational view thereof; and,  
FIG. 7 is a bottom plan view thereof.  
The broken lines shown represent portions of the monitoring camera that form no part of the claimed design.

(58) **Field of Classification Search**  
USPC ..... D16/200, 202–206, 208, 218, 219, 242;  
348/143, 148, 151, 373–376; 396/419,  
396/427, 535, 539–541  
CPC ..... G03B 17/02; G03B 19/04; G03B 17/56;  
G03B 17/04; G03B 15/03; H04N 5/2251;  
H04N 5/2252; H04N 5/2253; H04N  
5/2254; H04N 7/181; H04N 7/183; H04N  
7/18; G08B 13/1963; G08B 13/19619;  
G08B 13/19632

See application file for complete search history.

**1 Claim, 4 Drawing Sheets**



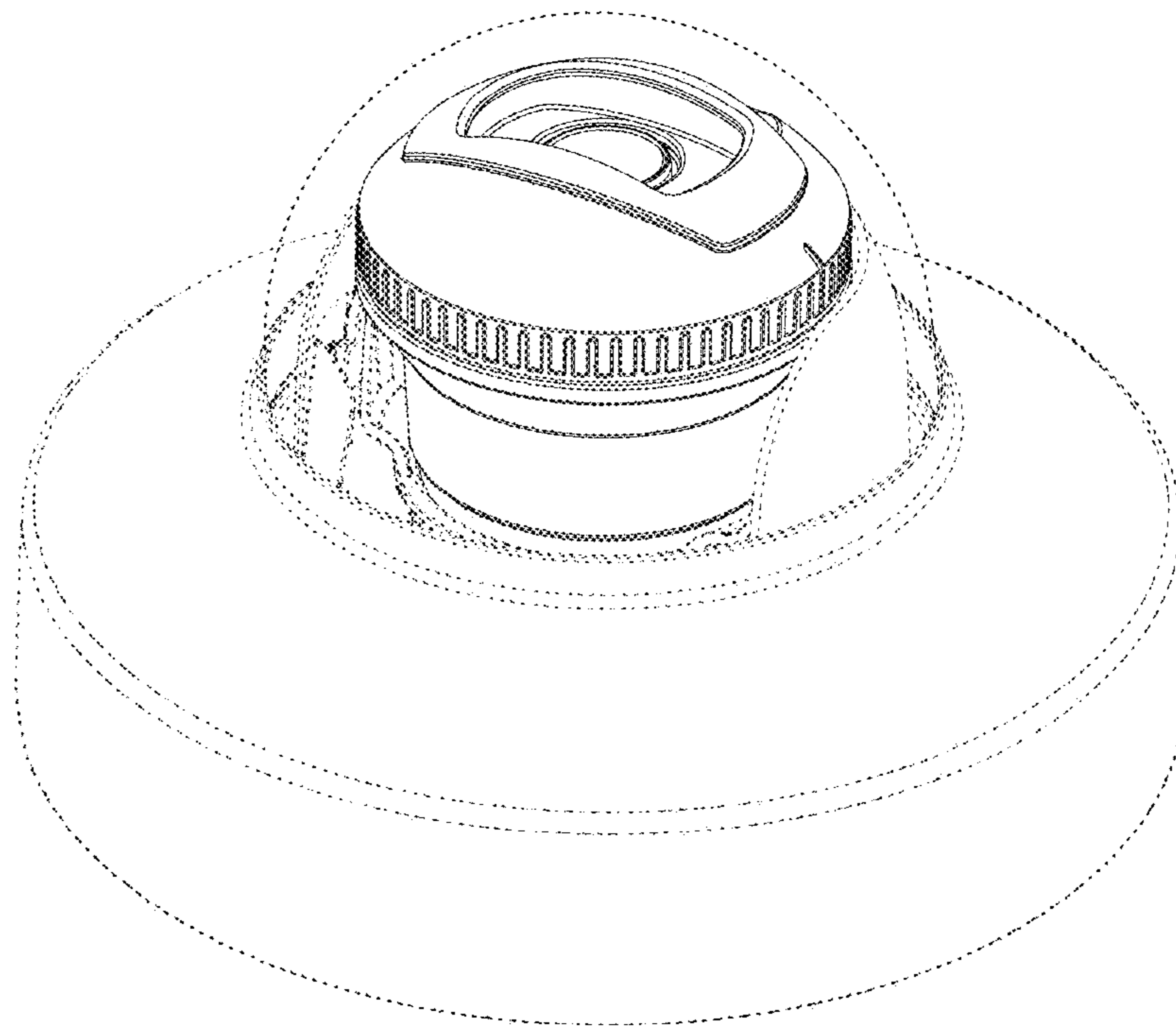
(56)

**References Cited**

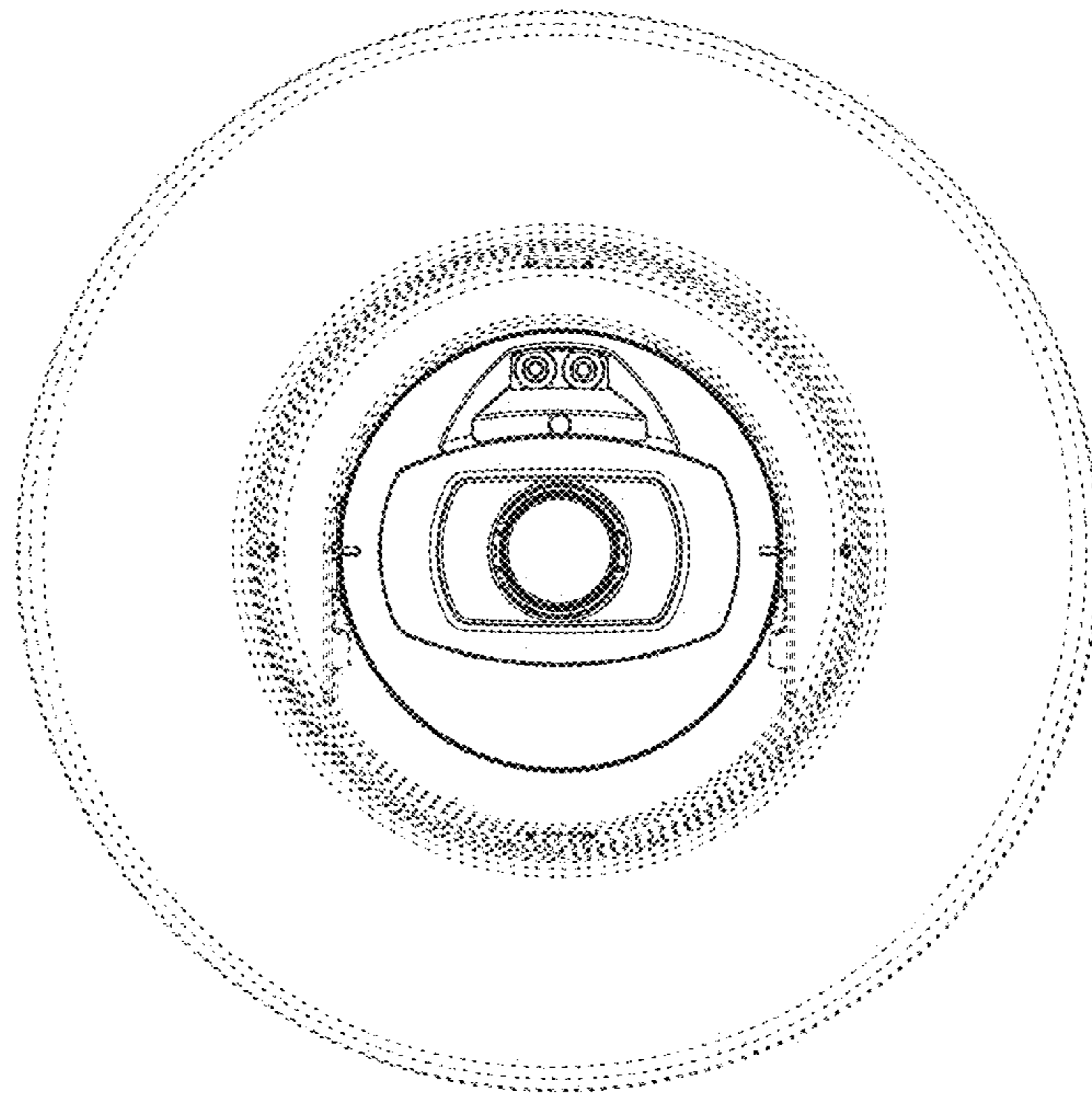
U.S. PATENT DOCUMENTS

D816,755	S	5/2018	Barnekow et al.	
D824,985	S *	8/2018	Teachworth .....	D16/203
D829,262	S	9/2018	Huerta	
D856,397	S *	8/2019	Ahman .....	D16/219
D861,058	S *	9/2019	Christensson .....	D16/203
D866,636	S *	11/2019	Walter .....	D16/203
D867,424	S *	11/2019	Helaoui .....	D16/203
2011/0158637	A1	6/2011	Jung et al.	
2013/0169805	A1	7/2013	Park	

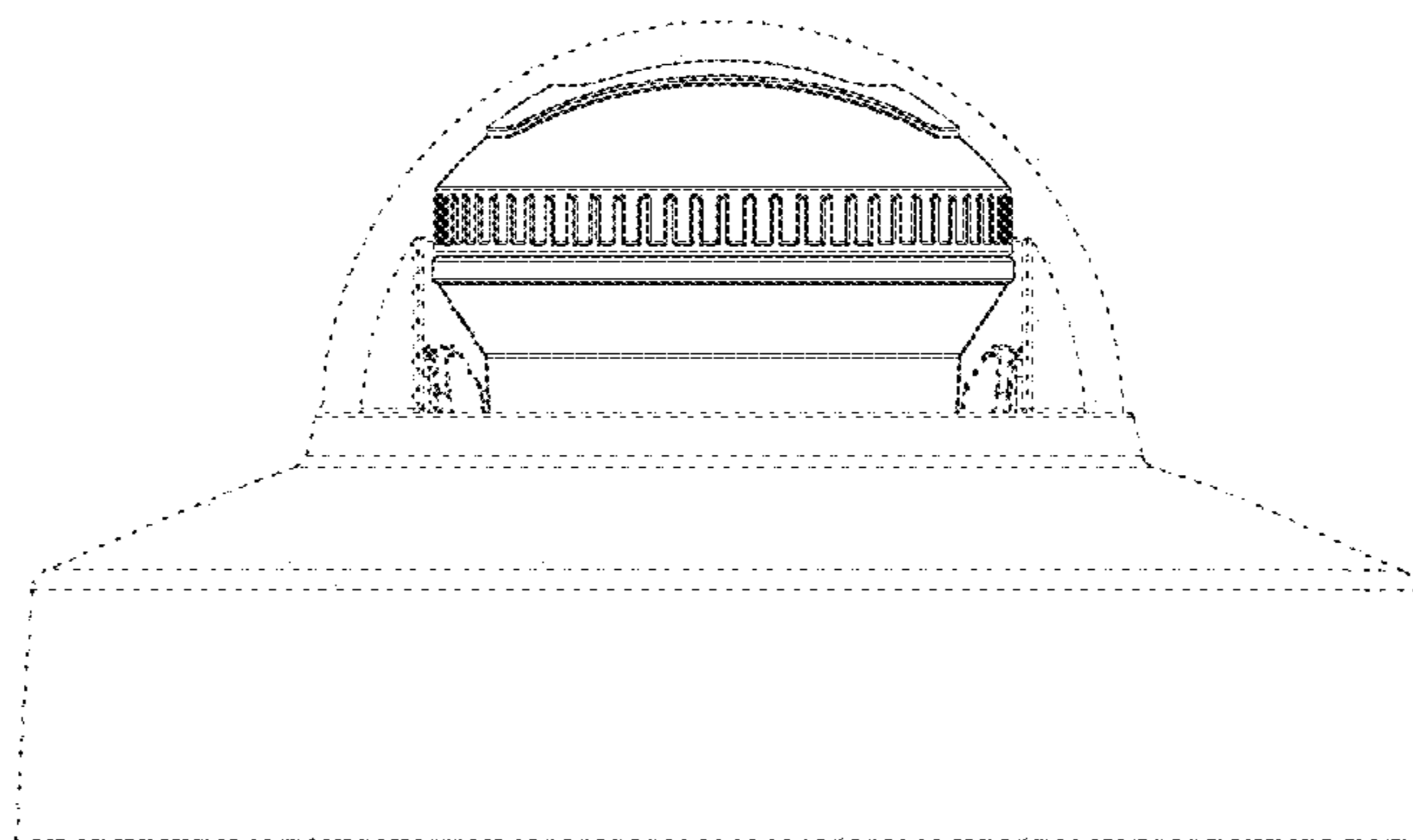
\* cited by examiner



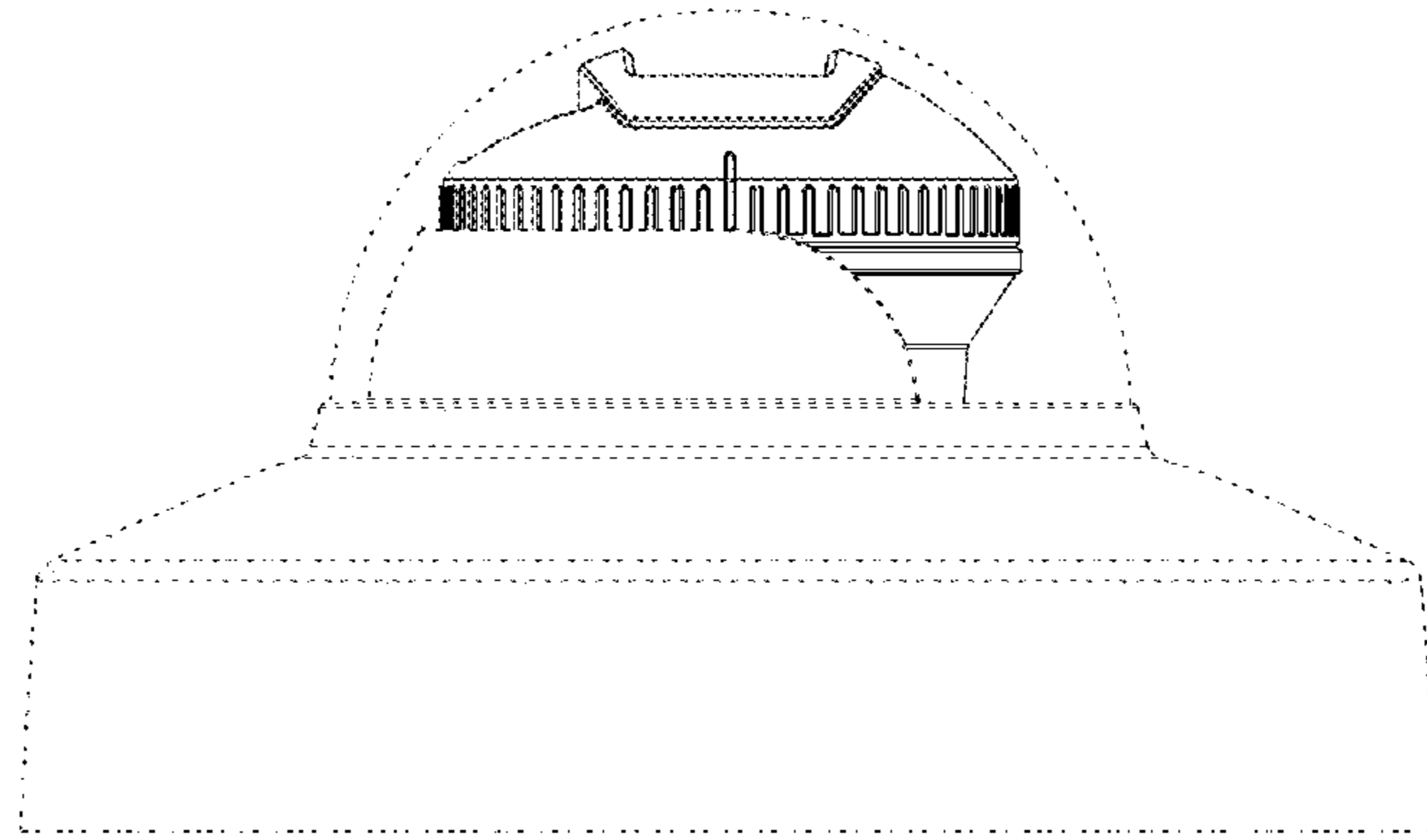
*Fig. 1*



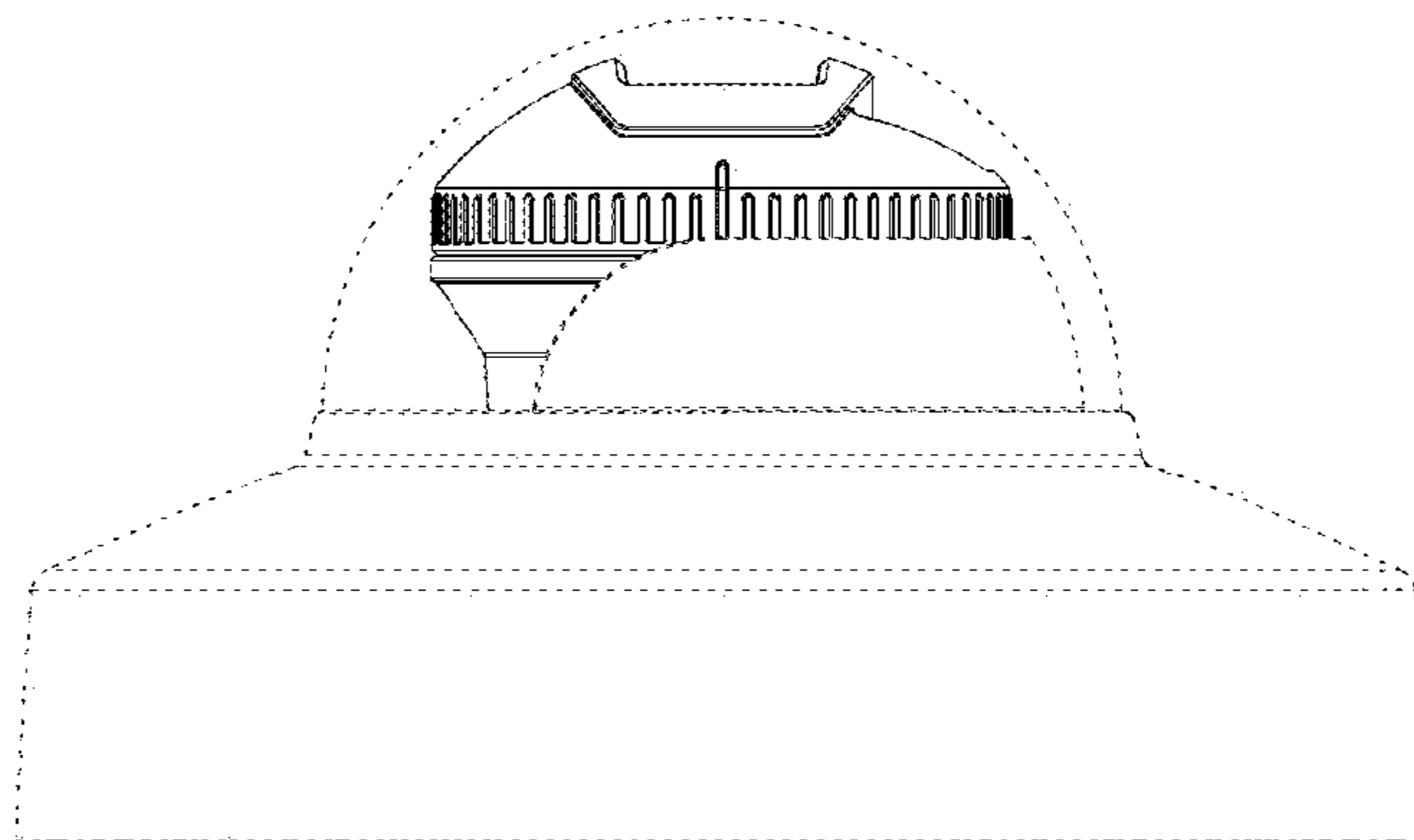
*Fig. 2*



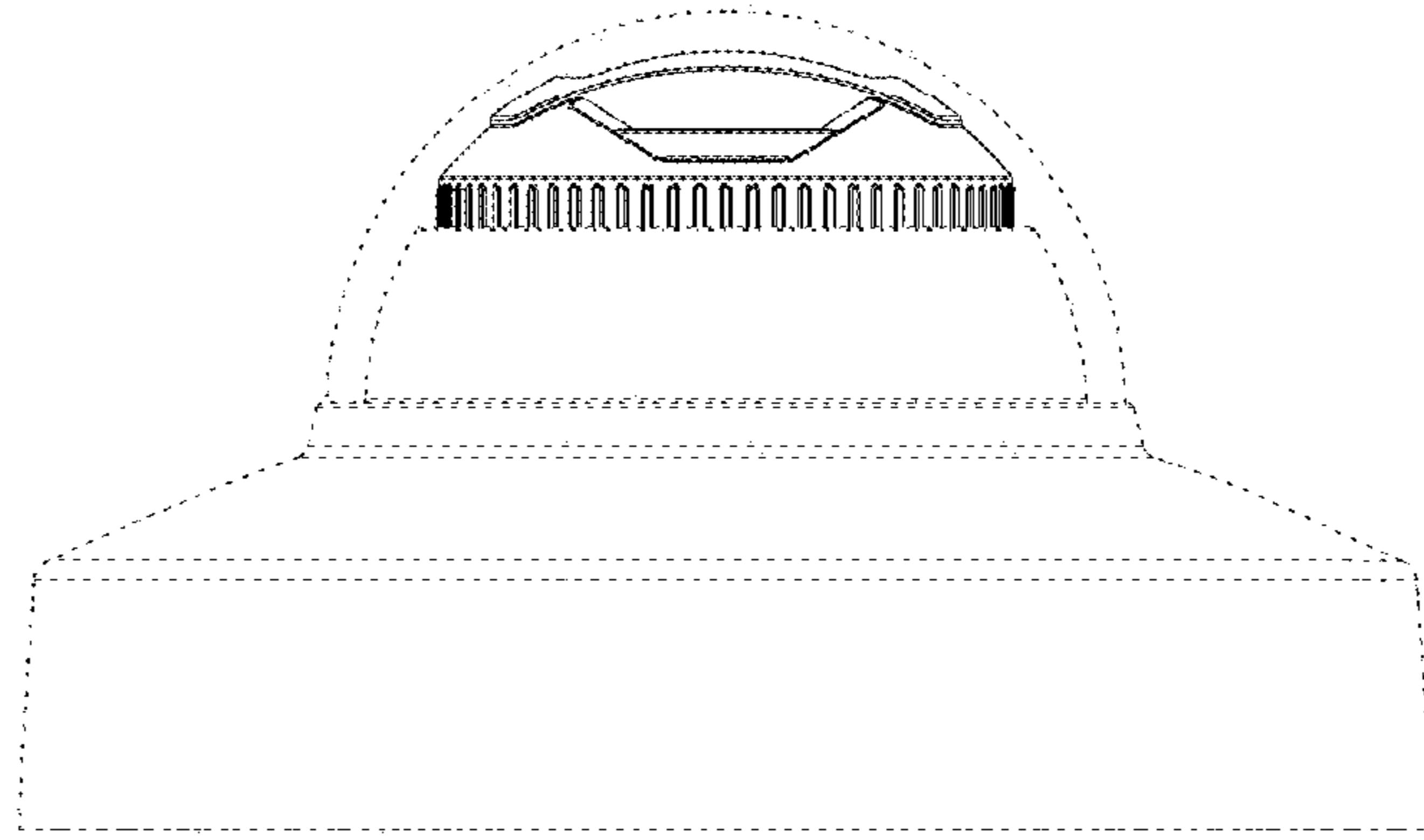
*Fig. 3*



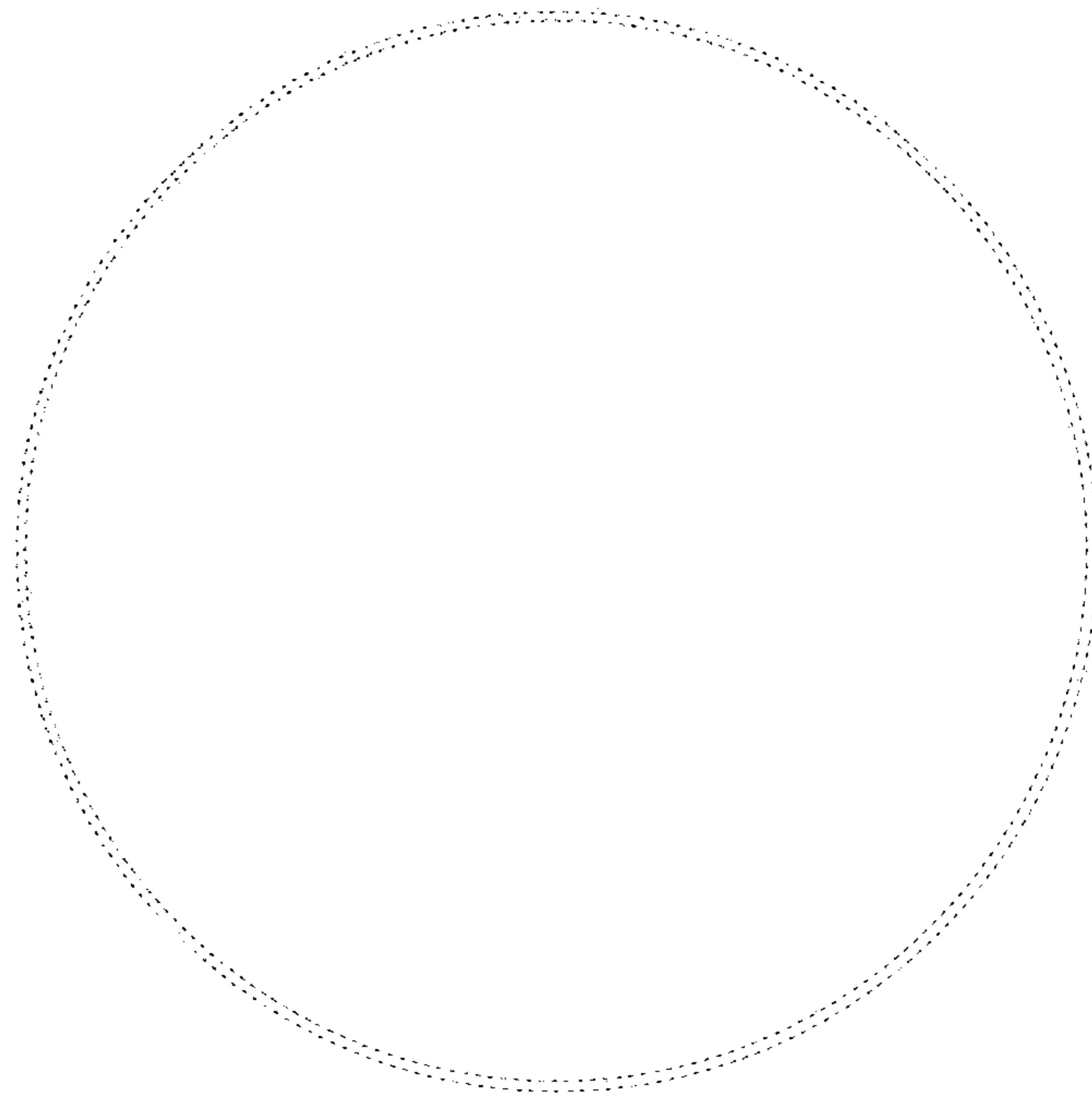
*Fig. 4*



*Fig. 5*



*Fig. 6*



*Fig. 7*