



US00D877792S

(12) **United States Design Patent**
Sakaguchi

(10) **Patent No.:** **US D877,792 S**

(45) **Date of Patent:** **** Mar. 10, 2020**

(54) **CAMERA**

(71) Applicant: **Sony Corporation**, Tokyo (JP)

(72) Inventor: **Yuuki Sakaguchi**, Tokyo (JP)

(73) Assignee: **SONY CORPORATION**, Tokyo (JP)

(**) Term: **14 Years**

(21) Appl. No.: **29/466,236**

(22) Filed: **Sep. 5, 2013**

(30) **Foreign Application Priority Data**

Mar. 8, 2013 (JP) D2013-005244
Mar. 8, 2013 (JP) D2013-005245
Mar. 8, 2013 (JP) D2013-005246
Mar. 8, 2013 (JP) D2013-005247

(51) **LOC (12) Cl.** **16-05**

(52) **U.S. Cl.**
USPC **D16/219**

(58) **Field of Classification Search**
USPC D16/134, 136, 200, 202–206, 208, 218,
D16/219; 348/373–376; 359/826–828;
396/529–532, 535, 539–541
CPC G03B 17/02; G03B 19/04; G03B 17/56;
G03B 17/04; G03B 15/03; G03B 17/14;
H04N 5/2251; H04N 5/2252; H04N
5/2253; H04N 5/2254; G02B 7/02; G02B
7/04; G02B 7/14
See application file for complete search history.

(56) **References Cited**

U.S. PATENT DOCUMENTS

D290,796 S * 7/1987 Becker D6/691.5
D331,704 S * 12/1992 Moore D10/21
D388,105 S * 12/1997 Yamamoto D16/202
D396,767 S * 8/1998 De Blaay D6/691.9
D433,693 S 11/2000 Kobayashi

D442,982 S * 5/2001 Adachi D16/203
D446,801 S * 8/2001 Adachi D16/203
D454,687 S * 3/2002 Wolf D3/275
D488,498 S 4/2004 Miyashita
D513,980 S * 1/2006 Connolly D9/430
D515,222 S * 2/2006 Kieffer D25/122
D517,406 S * 3/2006 Connolly D9/430
D532,980 S * 12/2006 Hutton D6/300
D544,010 S * 6/2007 Martin D16/208
D562,596 S * 2/2008 Maldonado D6/678.1
D625,348 S 10/2010 Sumita et al.
D627,381 S * 11/2010 Kwon D16/202
D631,496 S * 1/2011 Tainaka D16/202
D639,325 S * 6/2011 Yamauchi et al. D16/202
D648,363 S 11/2011 Takagi et al.
D657,408 S * 4/2012 Tainaka D16/202
D670,751 S 11/2012 Koyama et al.

(Continued)

Primary Examiner — Ramzi S Almatrahi

(74) *Attorney, Agent, or Firm* — Michael Best and Friedrich LLP

(57) **CLAIM**

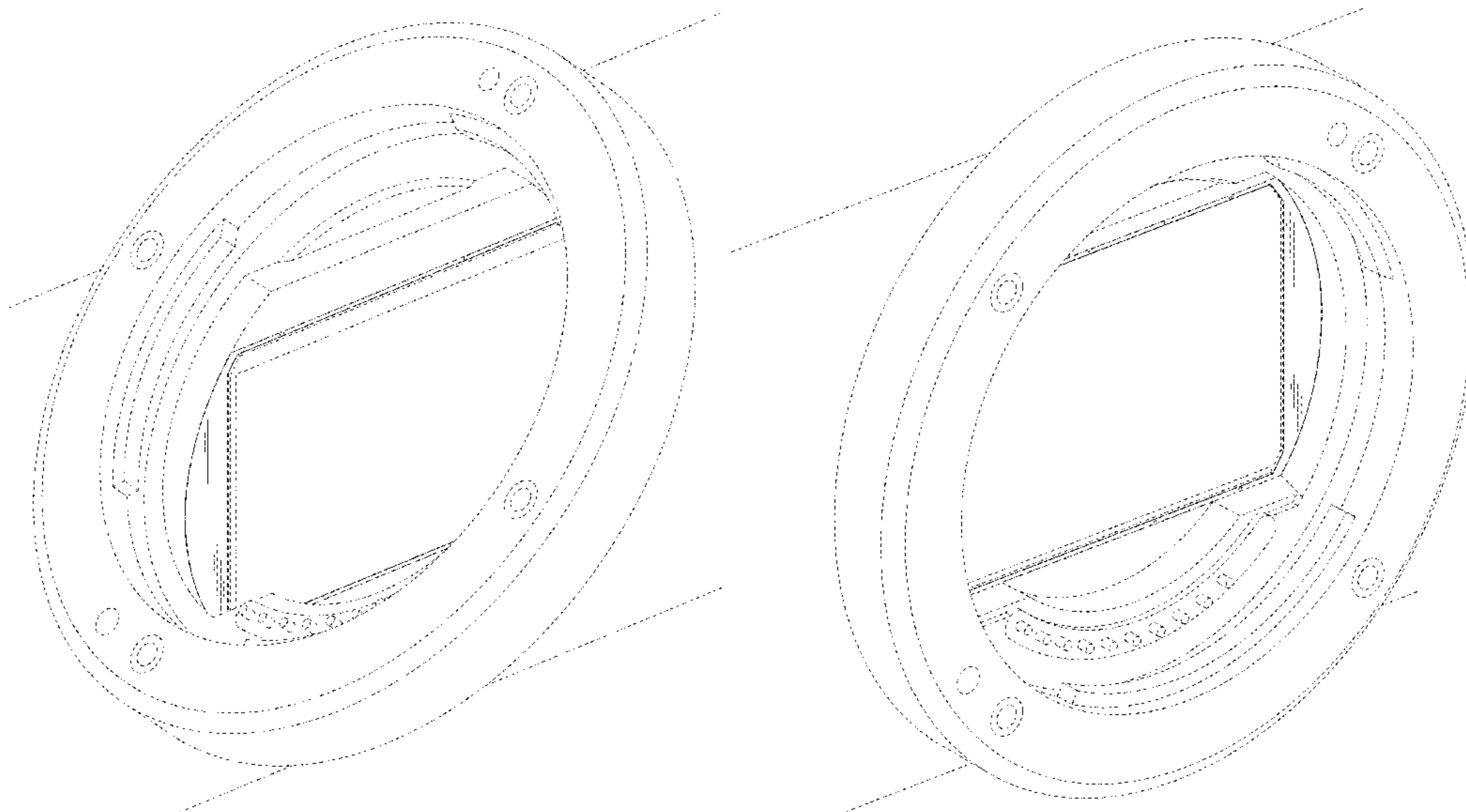
The ornamental design for a camera, as shown and described.

DESCRIPTION

FIG. 1 is a perspective view of a camera showing my new design; and
FIG. 2 is a front elevational view thereof.
FIG. 3 is a partially enlarged front, bottom, right perspective view thereof;
FIG. 4 is a partially enlarged front, bottom, left perspective view thereof; and,
FIG. 5 is a partially enlarged front, top, left perspective view thereof.

The broken lines depict portions of a camera in which the design is embodied that form no part of the claimed design. The dot-dash broken lines defining the boundaries of the claimed design form no part of the claimed design.

1 Claim, 5 Drawing Sheets



(56)

References Cited

U.S. PATENT DOCUMENTS

D671,976 S	12/2012	Akita et al.	
D676,475 S *	2/2013	Tainaka	D16/200
D681,090 S *	4/2013	Tainaka	D16/200
D681,710 S *	5/2013	Sato	D16/200
D695,807 S *	12/2013	Tainaka	D16/202
D695,808 S *	12/2013	Takahashi	D16/202
D698,838 S *	2/2014	Tainaka	D16/200
D698,839 S *	2/2014	Sato	D16/200

* cited by examiner

FIG.1

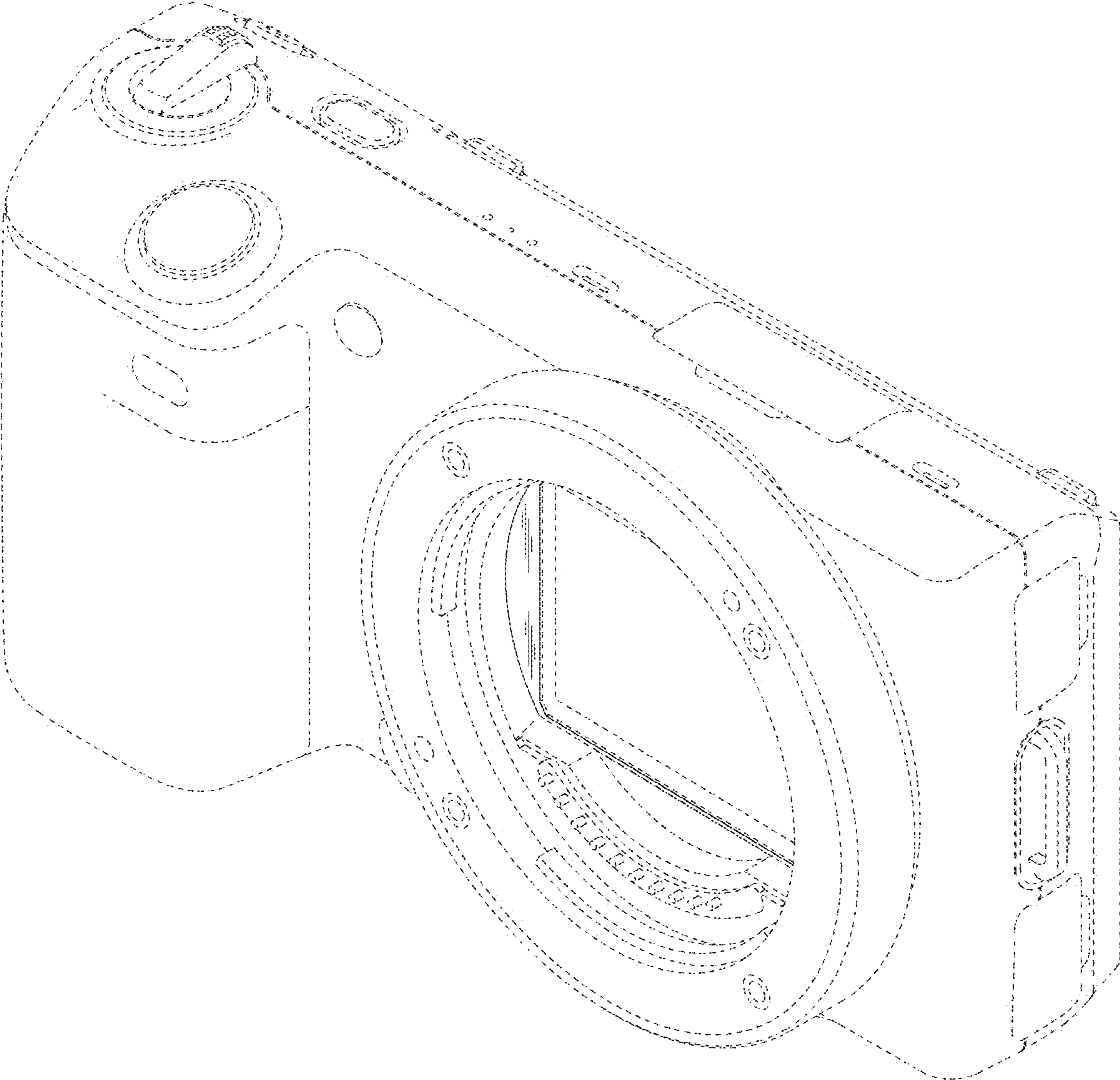


FIG.2

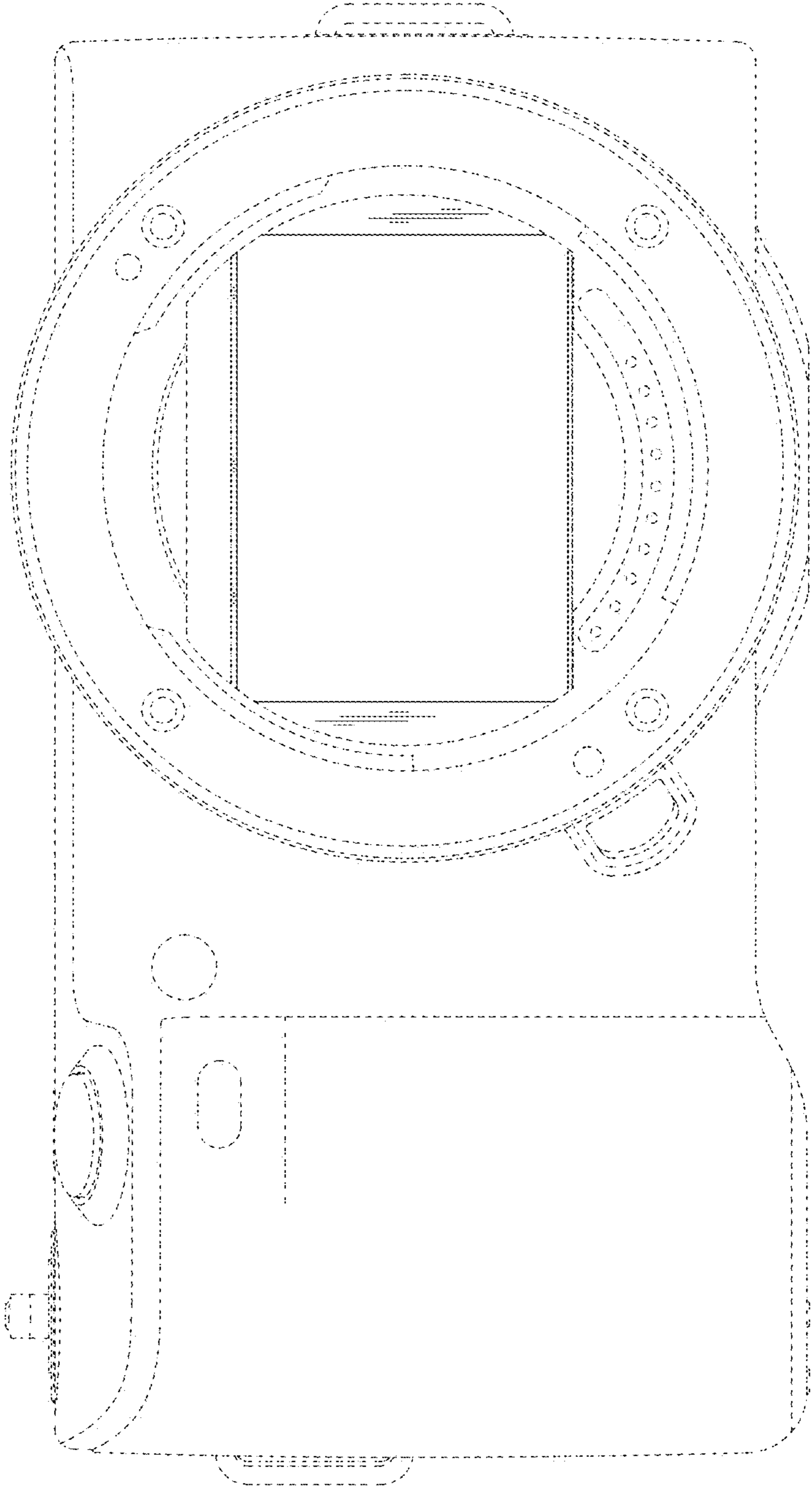


FIG.3

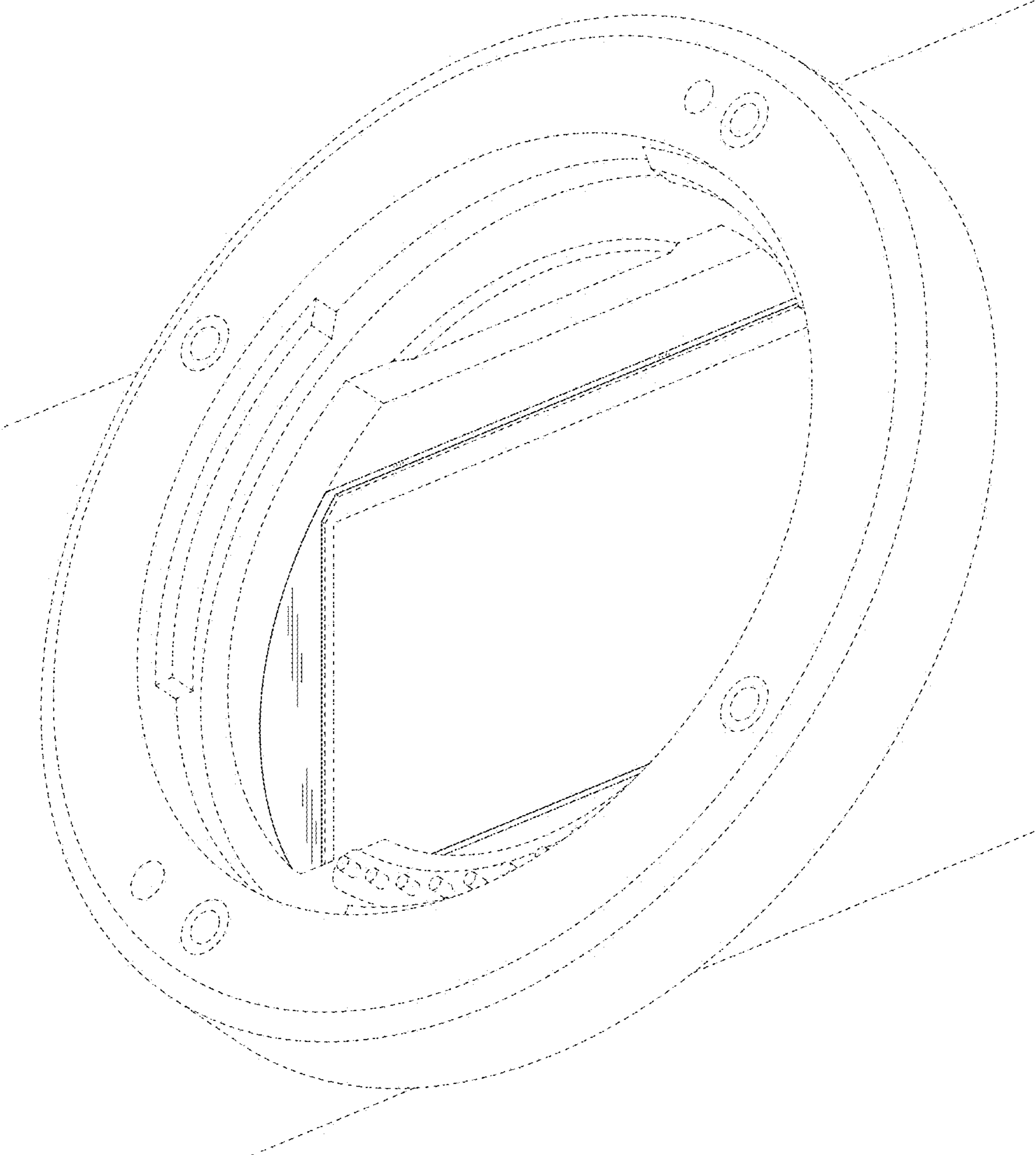


FIG.4

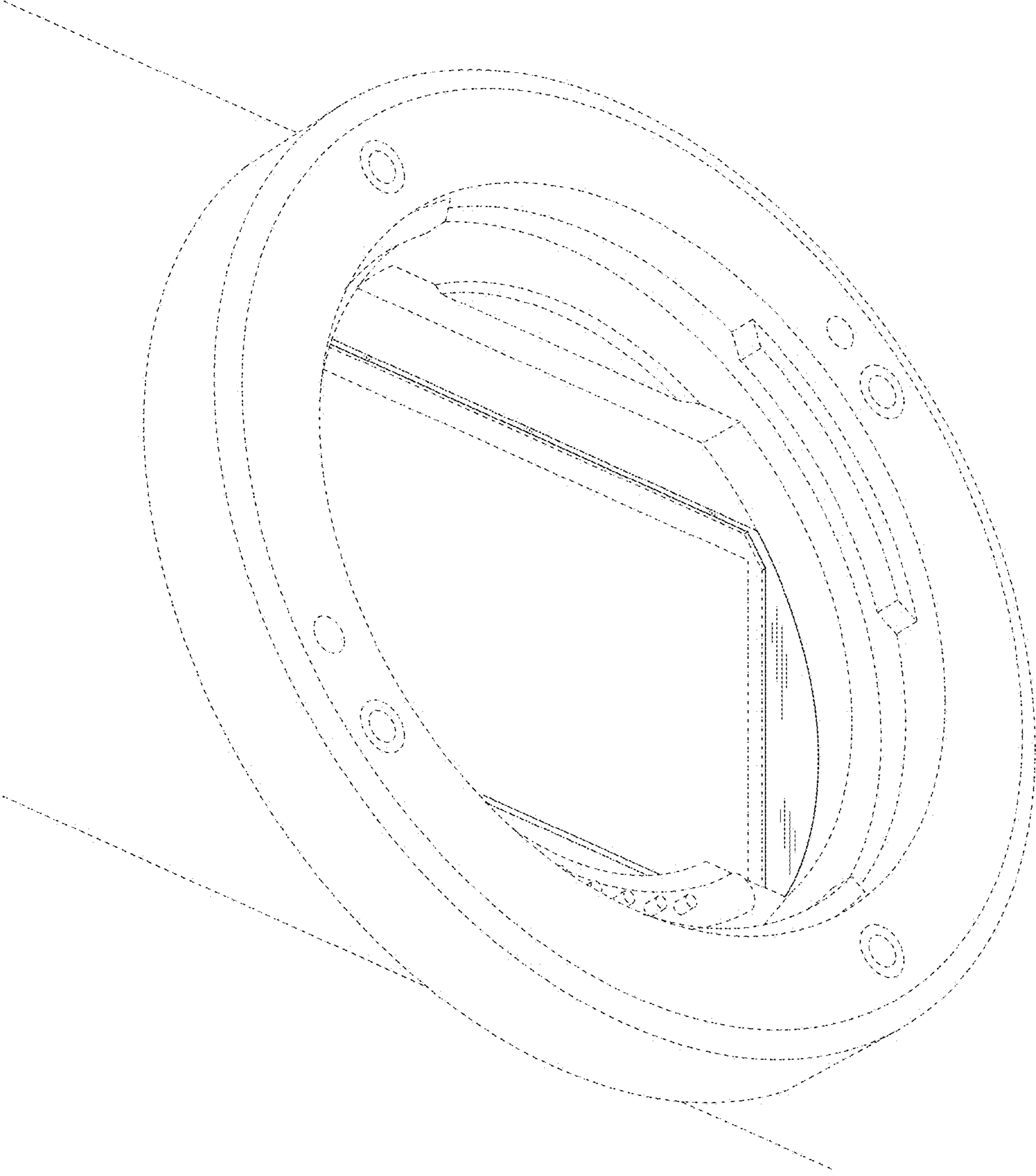


FIG.5

