



US00D877791S

(12) **United States Design Patent** (10) **Patent No.:** **US D877,791 S**
Klein et al. (45) **Date of Patent:** **** Mar. 10, 2020**

(54) **MONITORING CAMERA**

(71) Applicant: **AXIS AB**, Lund (SE)

(72) Inventors: **Malin Klein**, Lund (SE); **Magnus Ainetoft**, Lund (SE); **Daniel Ahman**, Lomma (SE); **Simon Mansson**, Lund (SE)

(73) Assignee: **AXIS AB**, Lund (SE)

(**) Term: **15 Years**

(21) Appl. No.: **29/683,600**

(22) Filed: **Mar. 14, 2019**

Related U.S. Application Data

(62) Division of application No. 29/619,777, filed on Oct. 2, 2017, now Pat. No. Des. 861,057.

(30) **Foreign Application Priority Data**

Mar. 31, 2017 (EM) 003833409-0001
Mar. 31, 2017 (EM) 003833409-0002
Mar. 31, 2017 (EM) 003833409-0003
Mar. 31, 2017 (EM) 003833409-0004
Mar. 31, 2017 (EM) 003833409-0005

(51) **LOC (12) Cl.** **16-01**

(52) **U.S. Cl.**
USPC **D16/203**

(58) **Field of Classification Search**

USPC D16/200, 202–206, 208, 218, 219, 242;
348/143, 148, 151, 373–376; 396/419,
396/427, 535, 539–541
CPC G03B 17/02; G03B 19/04; G03B 17/56;
G03B 17/04; G03B 15/03; H04N 5/2251;
H04N 5/2252; H04N 5/2253; H04N
5/2254; H04N 7/181; H04N 7/183; H04N
7/18; G08B 13/1963; G08B 13/19619;
G08B 13/19632

See application file for complete search history.

(56) **References Cited**

U.S. PATENT DOCUMENTS

5,394,184 A 2/1995 Anderson et al.
D556,236 S 11/2007 Kim
D628,225 S 11/2010 Deurwaarder
8,066,438 B2 11/2011 Takahashi
D721,755 S 1/2015 Ahman et al.
D740,874 S 10/2015 Ahman et al.
D756,437 S 5/2016 Bennermark et al.
D791,849 S * 7/2017 Zhang D16/203
D796,567 S * 9/2017 Bingleman D16/203
D796,568 S * 9/2017 Bingleman D16/203
D798,934 S * 10/2017 Wu D16/203
D815,173 S * 4/2018 Hikima D16/203
D816,755 S 5/2018 Barnekow et al.
D824,985 S * 8/2018 Teachworth D16/203
D829,262 S 9/2018 Huerta

(Continued)

FOREIGN PATENT DOCUMENTS

TW D157863 12/2013

Primary Examiner — Ramzi S Almatrahi

(74) *Attorney, Agent, or Firm* — Volpe and Koenig, P.C.

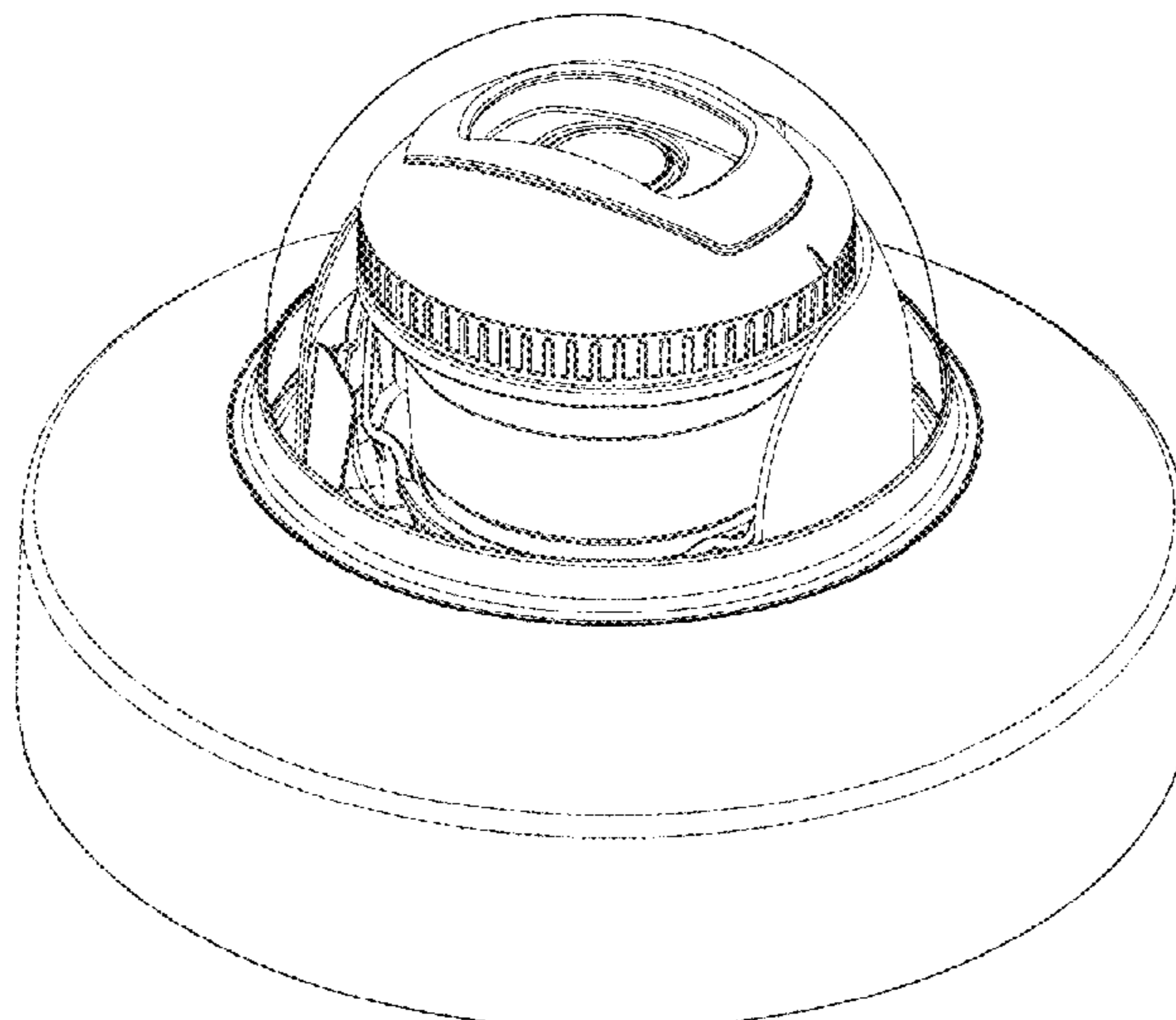
(57) **CLAIM**

The ornamental design for a monitoring camera, as shown and described.

DESCRIPTION

FIG. 1 is a perspective view of a monitoring camera in accordance with our design;
FIG. 2 is a top plan view thereof;
FIG. 3 is a front elevational view thereof;
FIG. 4 is a left side elevational view thereof;
FIG. 5 is a right side elevational view thereof;
FIG. 6 is a rear elevational view thereof; and,
FIG. 7 is a bottom plan view thereof.

1 Claim, 4 Drawing Sheets



(56)

References Cited

U.S. PATENT DOCUMENTS

D856,397 S * 8/2019 Ahman D16/219
D861,058 S * 9/2019 Christensson D16/203
D866,636 S * 11/2019 Walter D16/203
D867,424 S * 11/2019 Helaoui D16/203
2011/0158637 A1 6/2011 Jung et al.
2013/0169805 A1 7/2013 Park

* cited by examiner

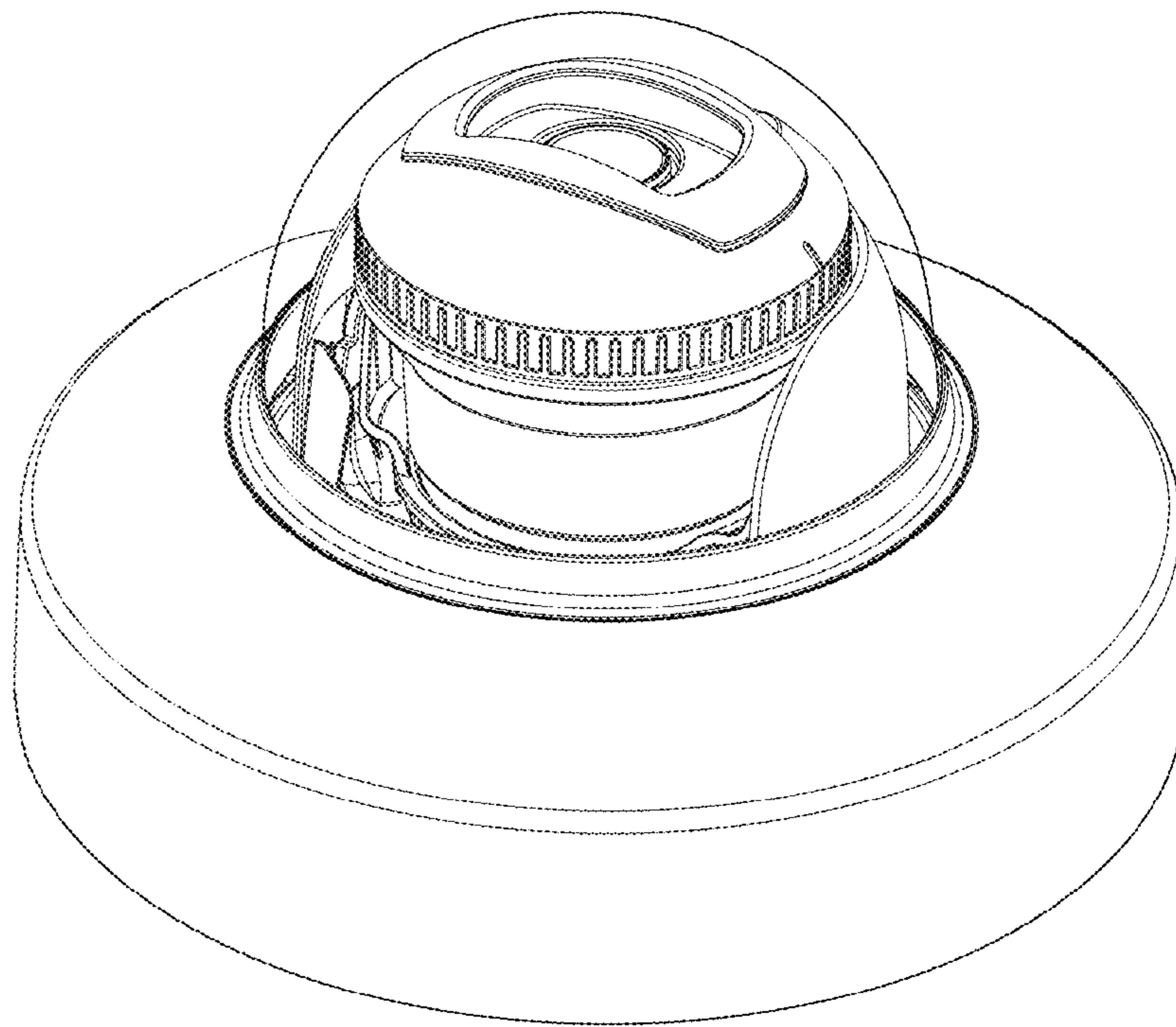


Fig. 1

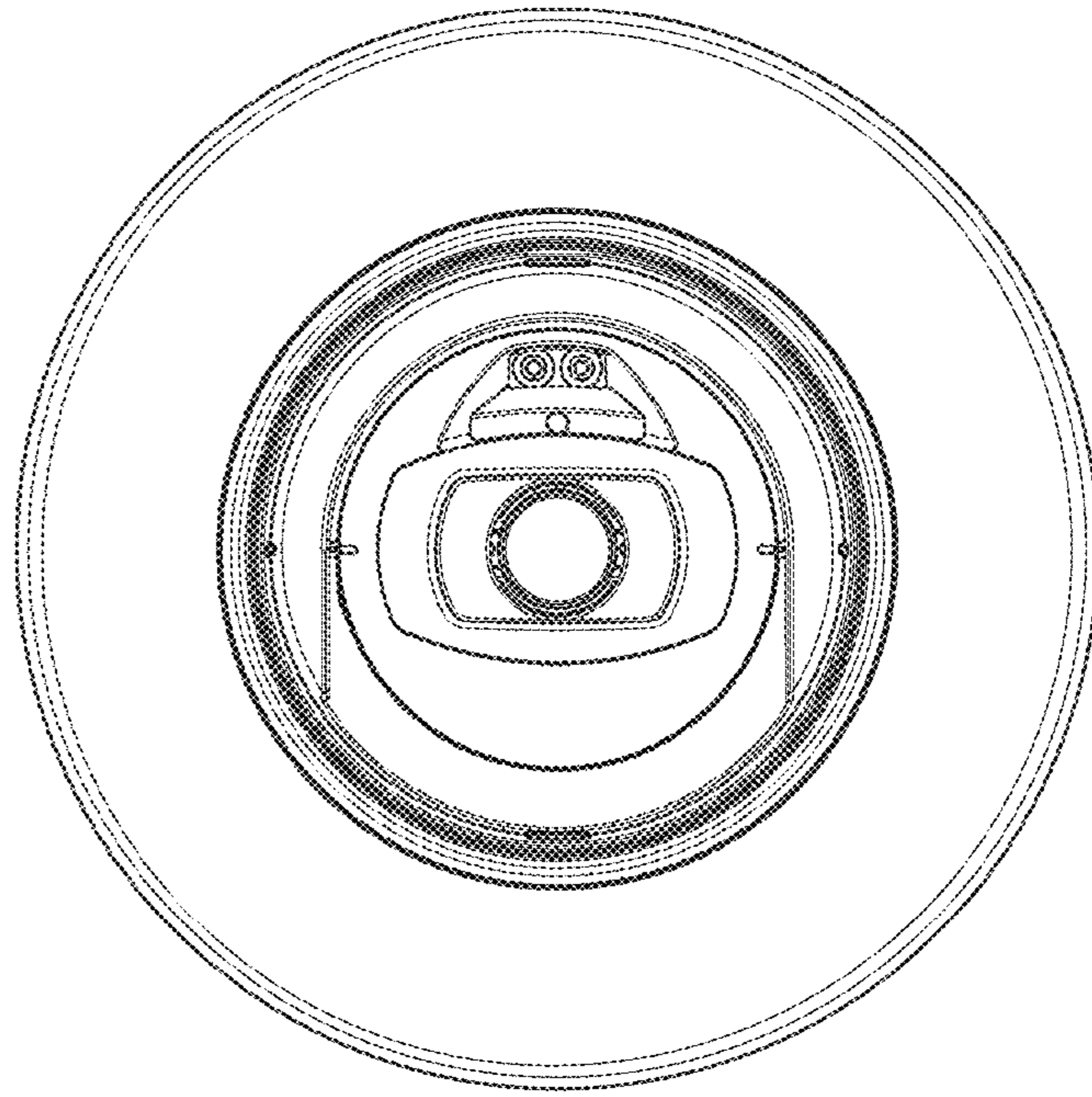


Fig. 2

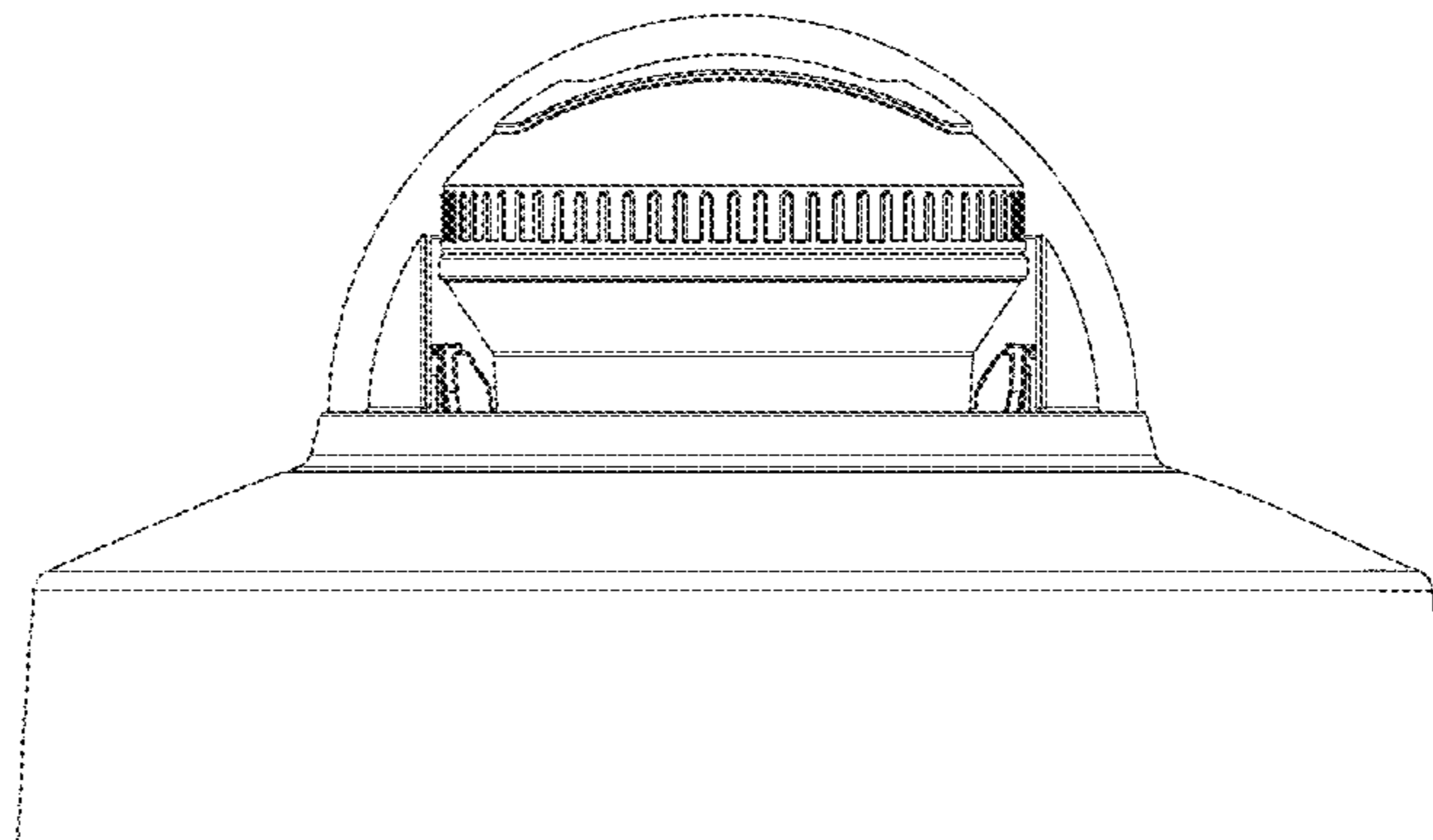


Fig. 3

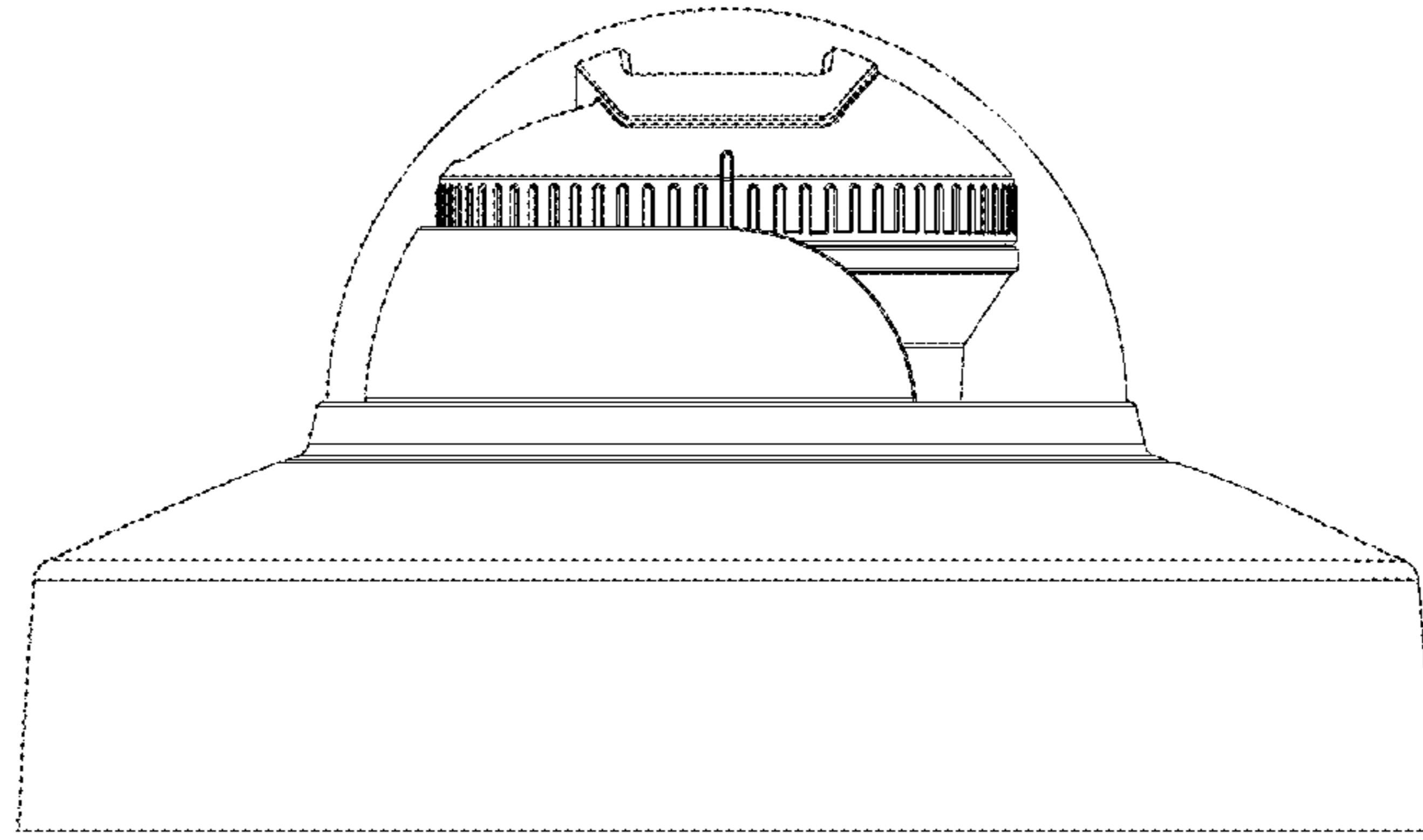


Fig. 4

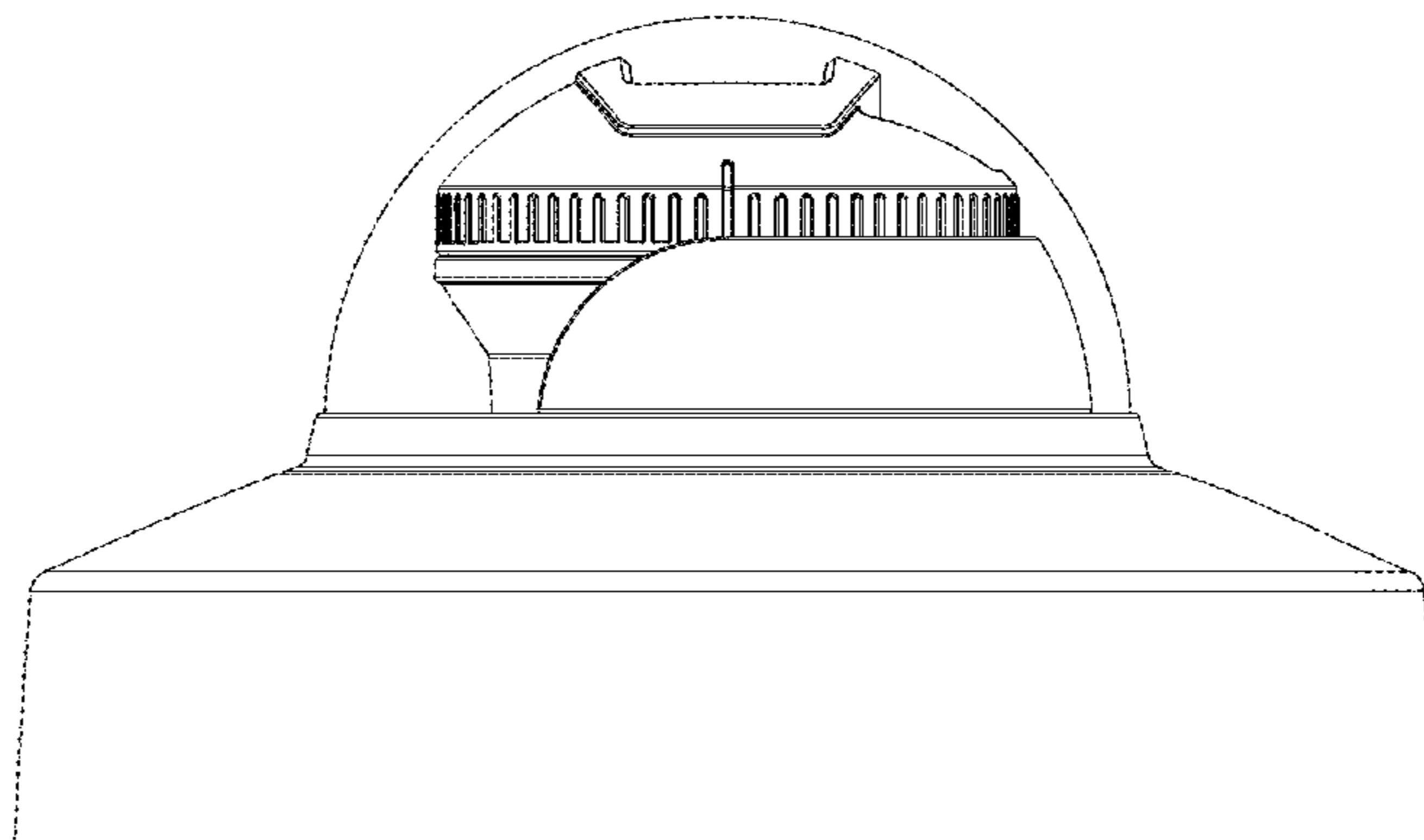


Fig. 5

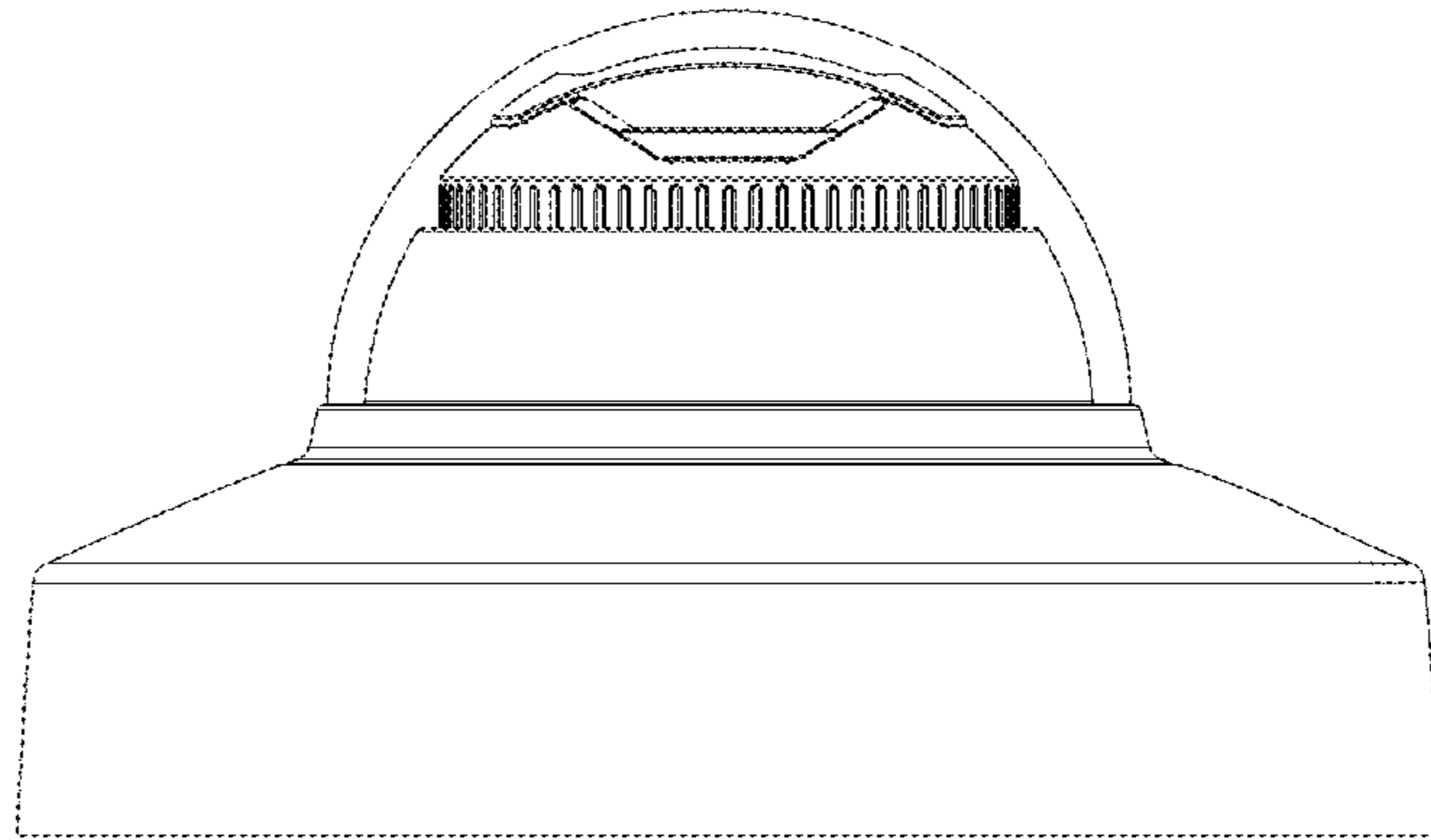


Fig. 6

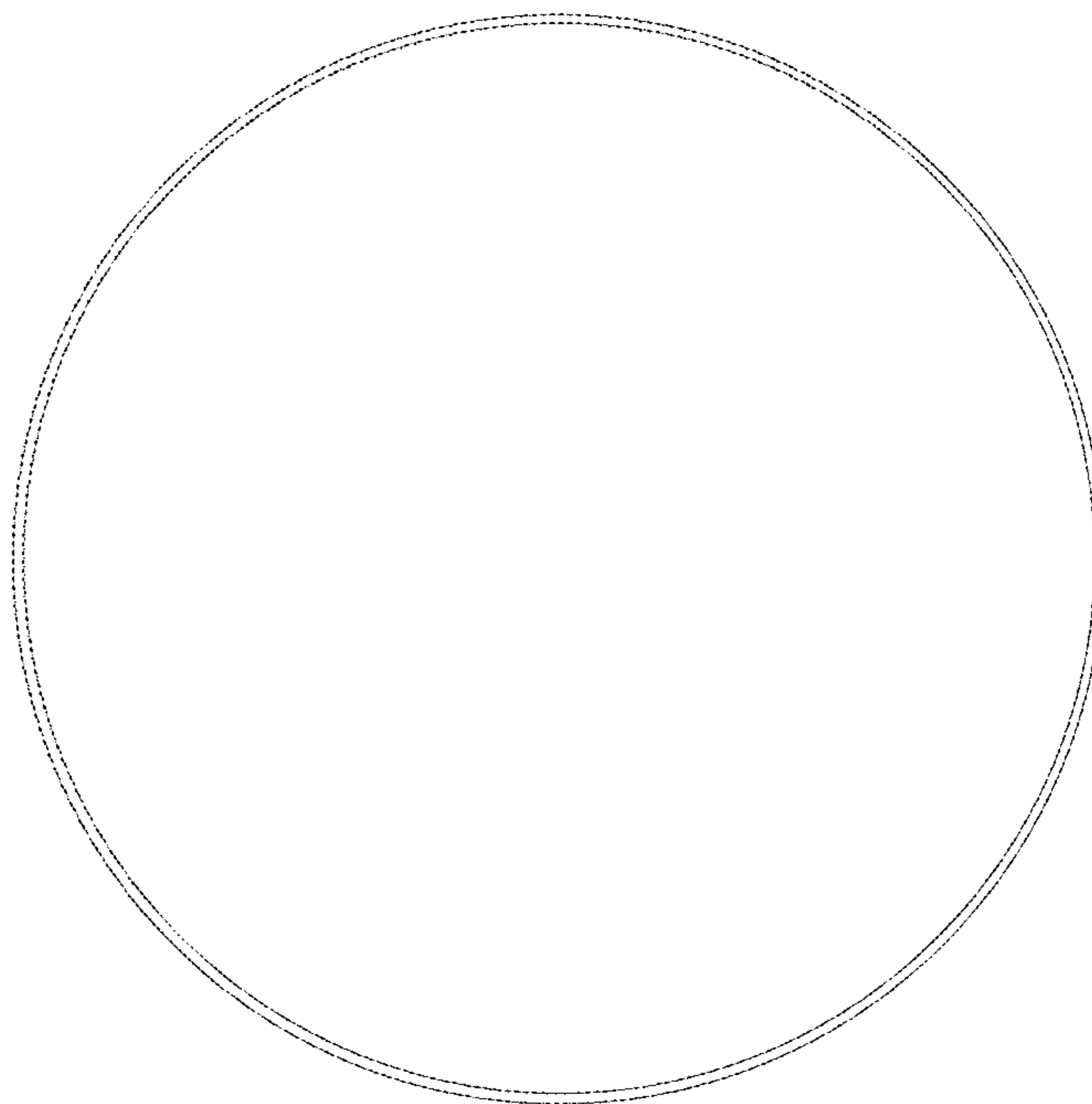


Fig. 7