



US00D877790S

(12) **United States Design Patent**  
**Perry**

(10) **Patent No.:** **US D877,790 S**  
(45) **Date of Patent:** **\*\* Mar. 10, 2020**

(54) **TELESCOPIC LENS HOUSING**  
(71) Applicant: **Designs for Vision, Inc.**, Ronkonkomo, NY (US)  
(72) Inventor: **Gordon R. Perry**, New York, NY (US)  
(\*\*) Term: **15 Years**  
(21) Appl. No.: **29/617,387**

D731,571 S 6/2015 Imamizu  
D732,100 S \* 6/2015 Jeong ..... D16/203  
D733,204 S 6/2015 Imamizu  
D741,388 S 10/2015 Register  
D748,708 S 2/2016 Daniel  
D754,770 S \* 4/2016 Schmidt ..... D16/218  
D809,873 S 2/2018 Ho  
D818,512 S \* 5/2018 Massegg ..... D16/132  
D827,012 S \* 8/2018 Katori ..... D16/202  
2007/0223915 A1 \* 9/2007 Yi ..... G03B 17/02  
396/535

(22) Filed: **Sep. 13, 2017**  
(51) **LOC (12) Cl.** ..... **16-06**  
(52) **U.S. Cl.**  
USPC ..... **D16/134; D16/135**  
(58) **Field of Classification Search**  
USPC ..... D16/130–135, 200, 202–206, 208–209,  
D16/212, 218, 219, 330, 335, 336, 341;  
D14/356, 372; 348/373–376; 396/448,  
396/535, 539–541  
CPC ..... G03B 15/03; G03B 17/02; G03B 17/04;  
G03B 17/56; G03B 19/04; H04N 5/2251;  
H04N 5/2252; H04N 5/2253; H04N  
5/2254; H04N 2101/00  
See application file for complete search history.

\* cited by examiner

*Primary Examiner* — Ramzi S Almatrahi  
(74) *Attorney, Agent, or Firm* — Law Office of Carl Giordano, PC

(57) **CLAIM**

I claim the ornamental design for a telescopic lens housing, as shown and described.

**DESCRIPTION**

FIG. 1 is a perspective view of a telescopic lens housing, showing an embodiment of the new design.  
FIG. 2 is a front elevation view of the telescopic lens housing of FIG. 1;  
FIG. 3 is a rear elevation view of the telescopic lens housing of FIG. 1;  
FIG. 4 is a left side elevation view of the telescopic lens housing of FIG. 1;  
FIG. 5 is a right side elevation view of the telescopic lens housing of FIG. 1.  
FIG. 6 is a top plan view of the telescopic lens housing of FIG. 1; and,  
FIG. 7 is a bottom plan view of the telescopic lens housing of FIG. 1.  
The broken line shown in the figures are for environmental purposes only and form no part of the claimed design.

(56) **References Cited**

U.S. PATENT DOCUMENTS

D300,039 S 2/1989 Huckenbeck  
D374,679 S \* 10/1996 Palmer ..... D16/133  
D406,064 S 2/1999 Victor Alexandre  
D529,063 S \* 9/2006 Cheng ..... D16/203  
D529,528 S 10/2006 Ross, Jr.  
D531,048 S 10/2006 Krause  
D550,263 S 9/2007 Zhou  
D602,777 S 10/2009 Jalet  
D633,543 S \* 3/2011 Park ..... D16/203  
D694,797 S 12/2013 Parker  
D695,326 S \* 12/2013 Hoelbl ..... D16/132  
D695,327 S 12/2013 Hoelbl

**1 Claim, 5 Drawing Sheets**

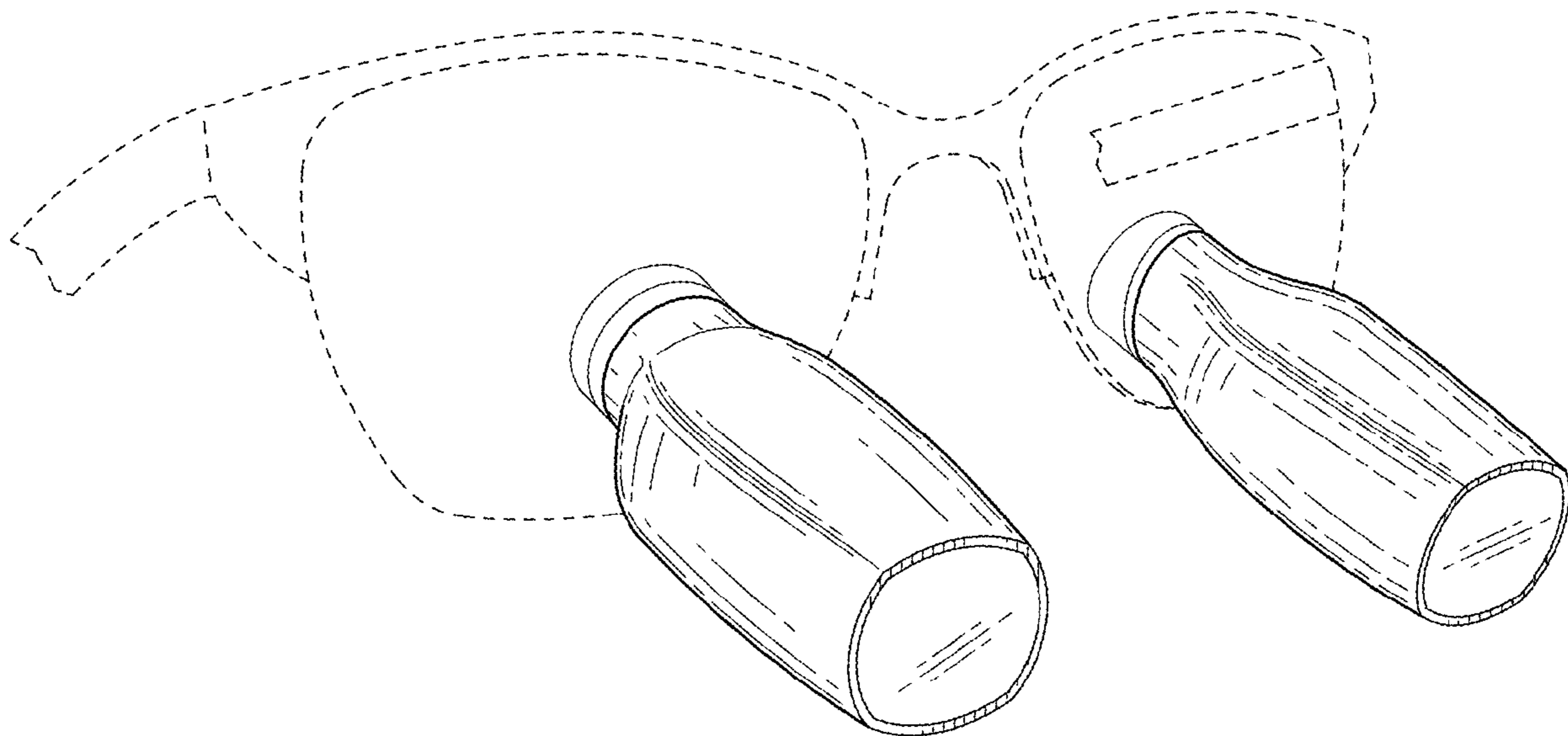


FIG. 1

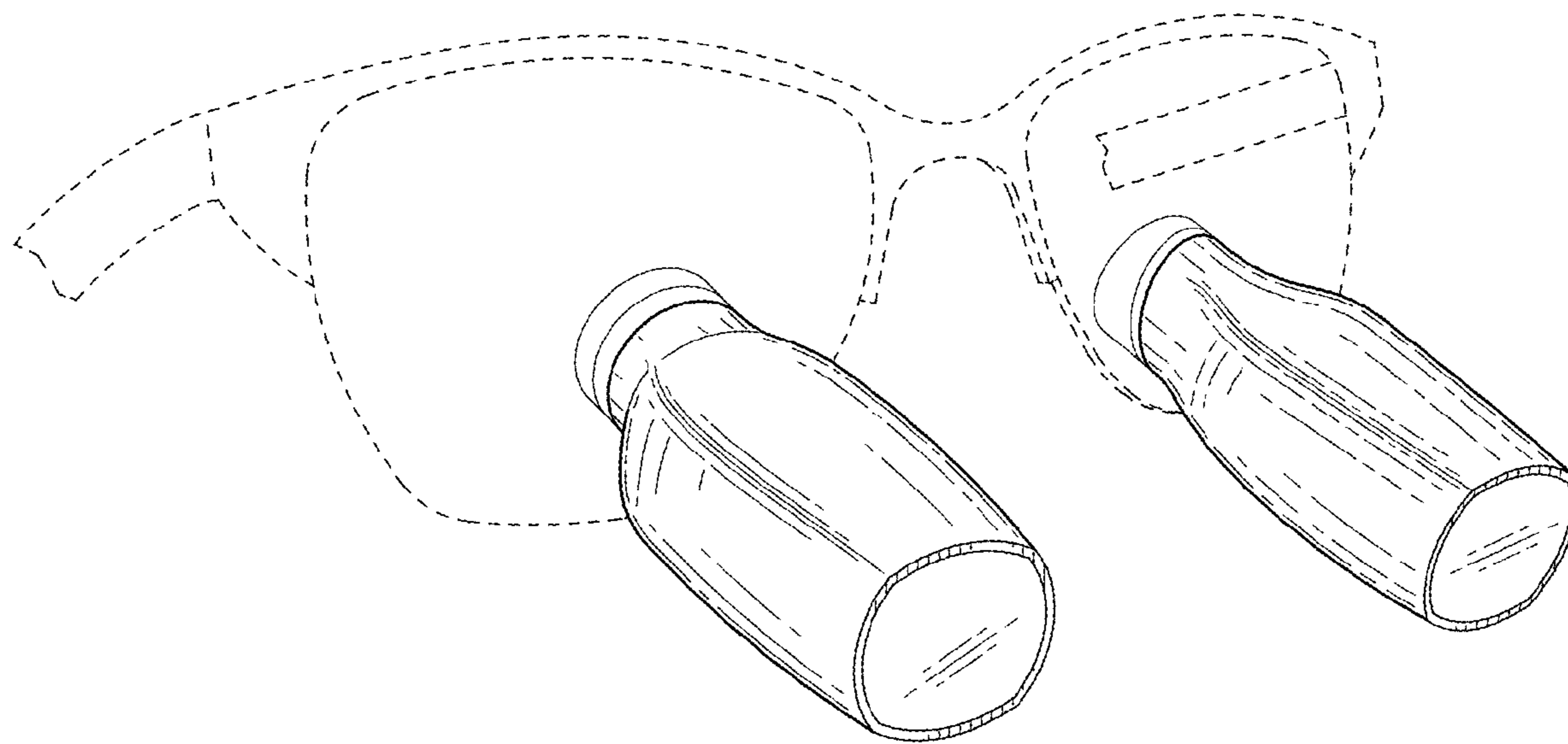


FIG. 2

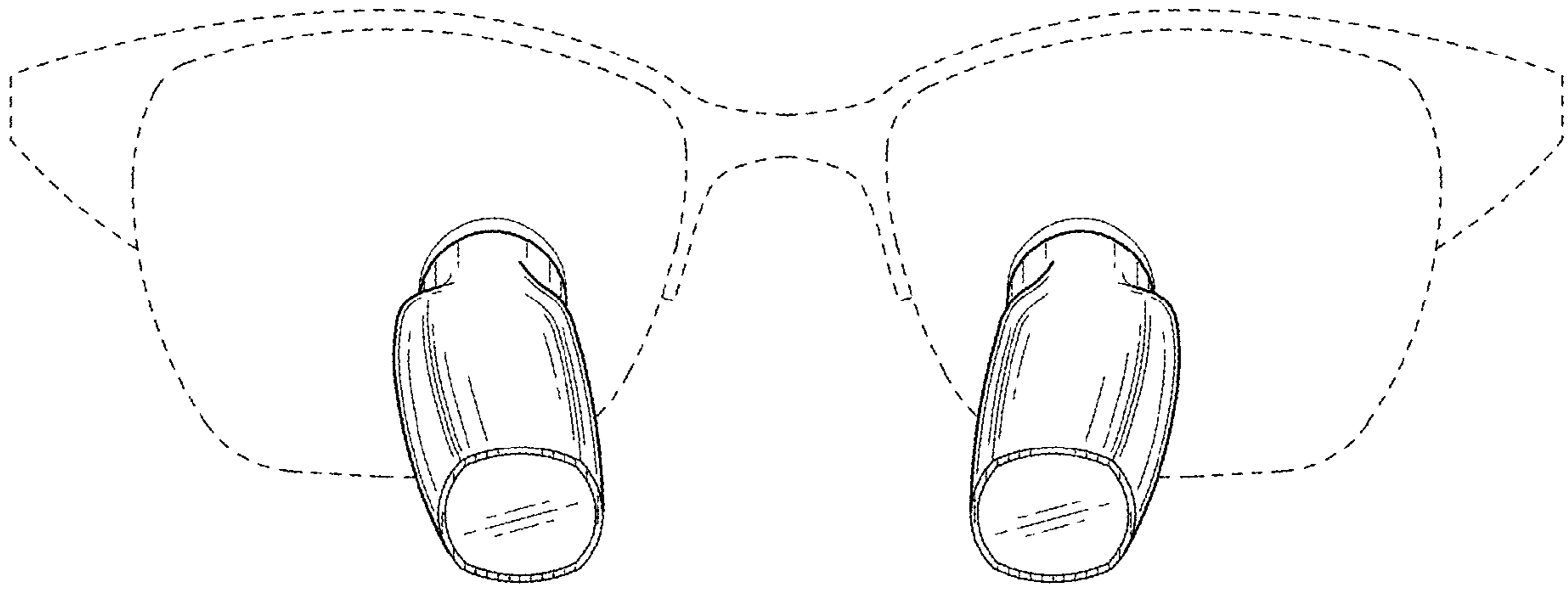


FIG. 3

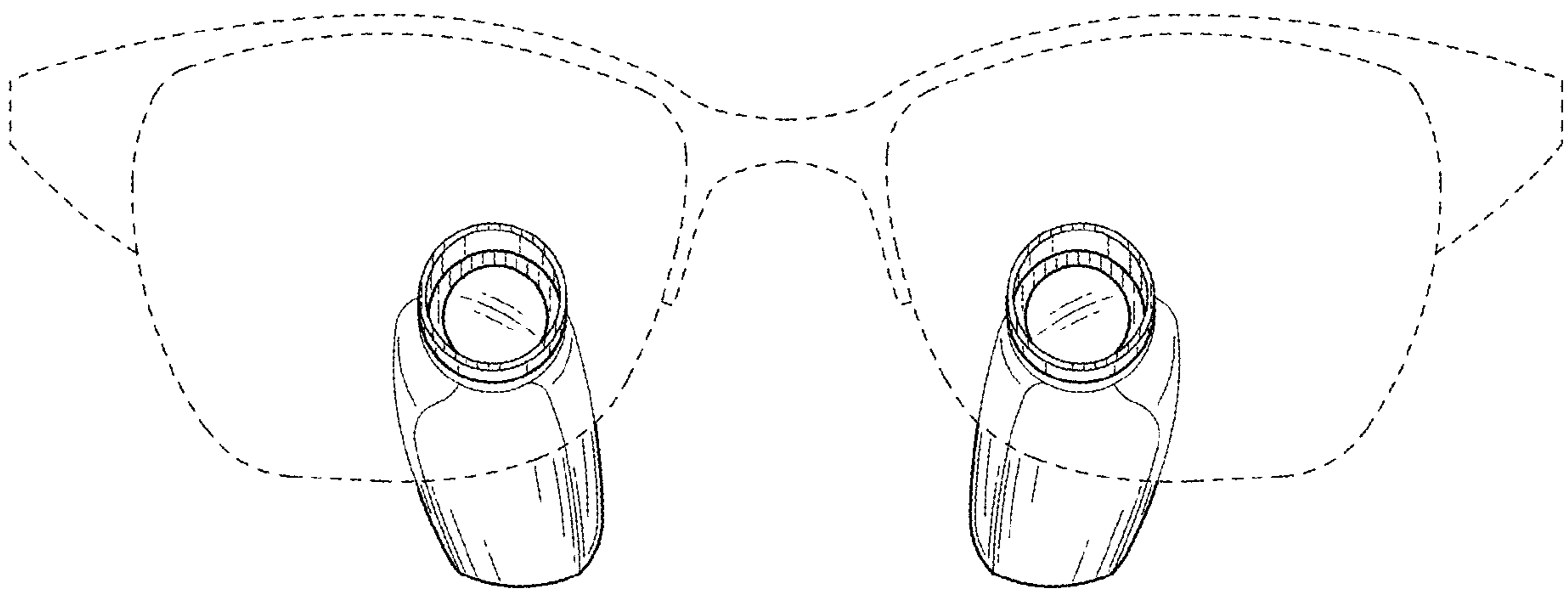


FIG. 4

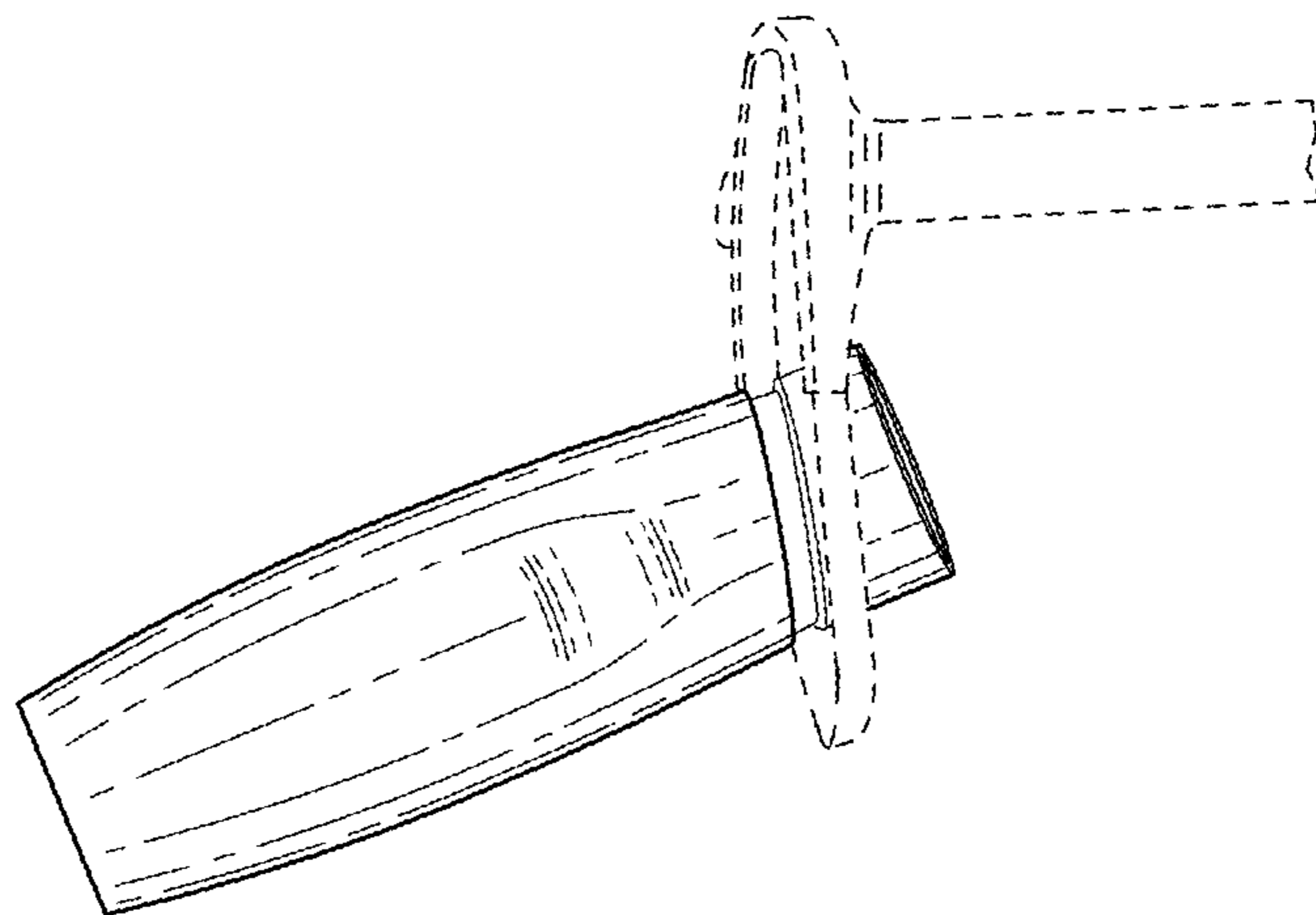


FIG. 5

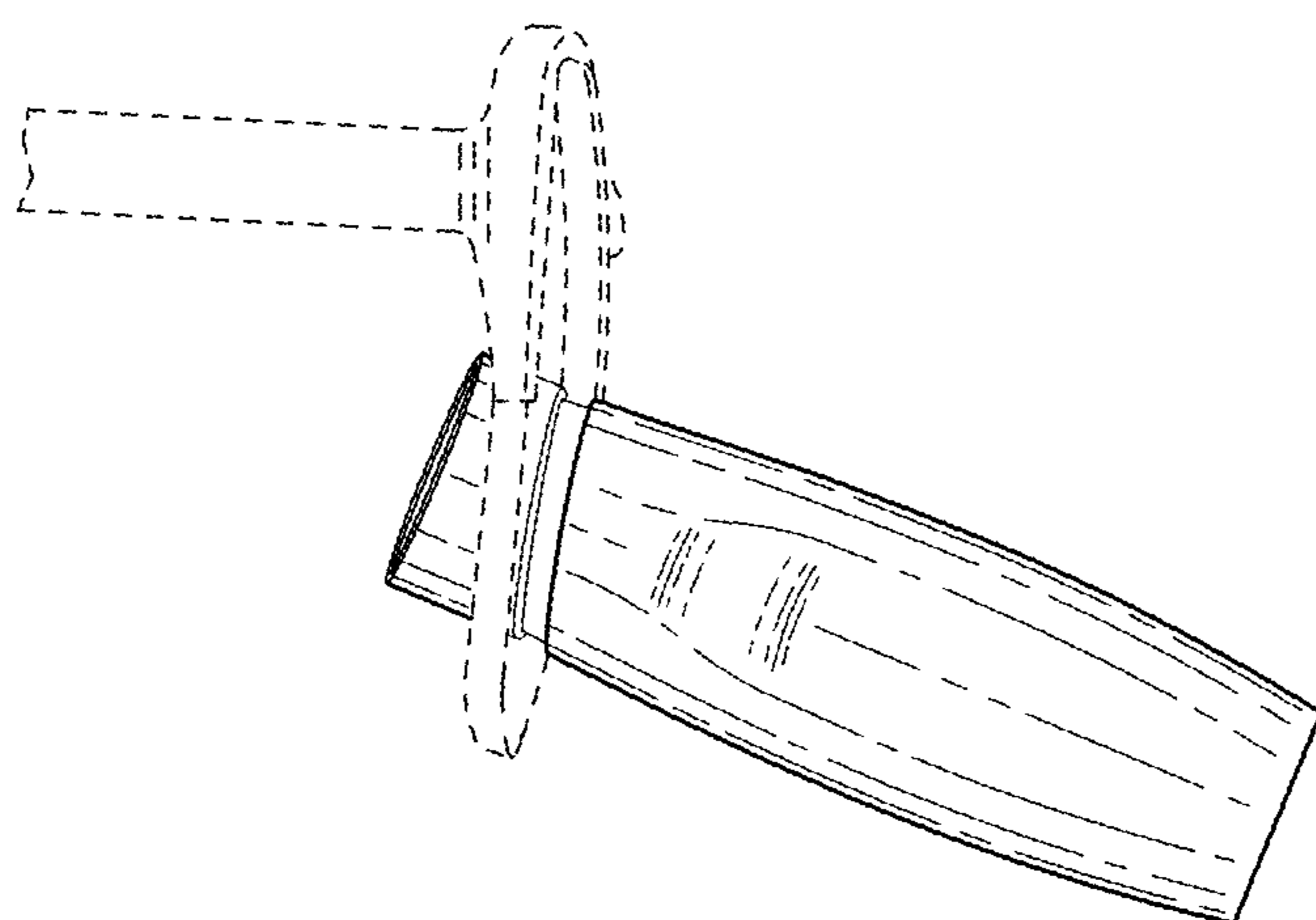


FIG. 6

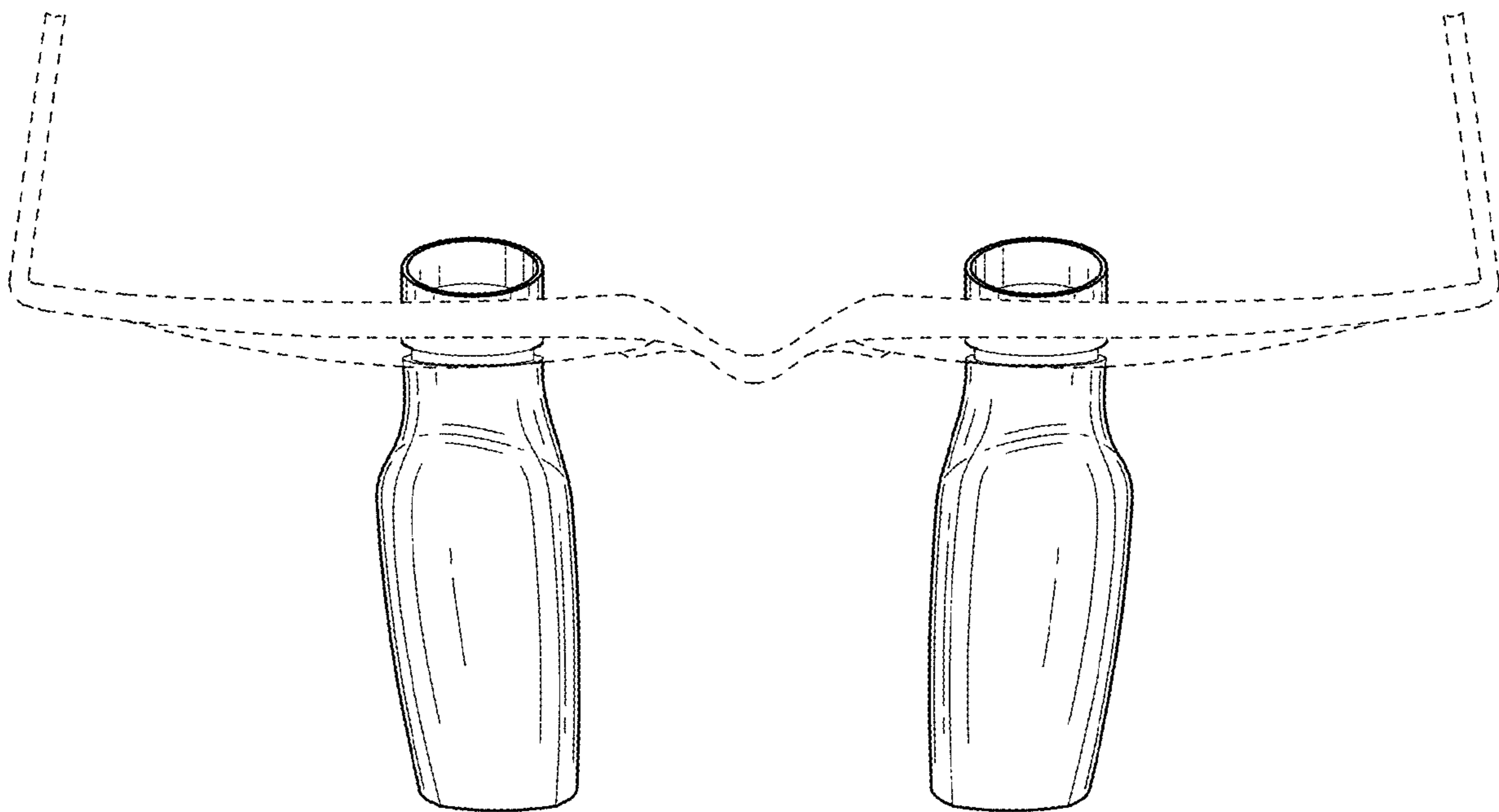


FIG. 7

