



US00D877789S

(12) **United States Design Patent** (10) **Patent No.:** **US D877,789 S**  
**Proell et al.** (45) **Date of Patent:** **\*\* Mar. 10, 2020**

(54) **PORTION OF A SPYGLASS**

(56) **References Cited**

(71) Applicant: **SWAROVSKI-OPTIC KG.**, Absam (AT)  
(72) Inventors: **Julian Proell**, Linz (AT); **Stefan Degn**, Altmuenster (AT); **Daniel Wilhelm**, Linz (AT); **Mario Zeppetzauber**, Linz (AT)  
(73) Assignee: **SWAROVSKI-OPTIK KG.**, Absam (AT)  
(\*\*) Term: **15 Years**  
(21) Appl. No.: **29/601,021**  
(22) Filed: **Apr. 18, 2017**

U.S. PATENT DOCUMENTS

2,452,432	A *	10/1948	Collins	.....	B29C 53/12 264/157
3,545,080	A *	12/1970	Evans	.....	H01R 13/052 29/874
D241,165	S	8/1976	Huckenbeck		
3,992,570	A *	11/1976	Beinhaur	.....	F16L 17/10 174/135
D246,922	S *	1/1978	Heign	.....	273/158
D249,223	S *	9/1978	Holden	.....	D8/14
D252,254	S *	7/1979	Westin	.....	D8/358
D254,619	S *	4/1980	Andrykovitz	.....	D15/124
D259,336	S *	5/1981	Paitson	.....	D10/46
4,576,364	A *	3/1986	O'Fearn	.....	E04H 15/003 256/23
5,474,476	A *	12/1995	Cheng	.....	H01R 24/40 439/675
D528,139	S *	9/2006	Hwa	.....	D16/133
D579,472	S	10/2008	Yanagisawa		
D590,855	S	4/2009	Watanabe		
D621,431	S	8/2010	Hoelbl		
D646,311	S	10/2011	Hoelbl		
D693,867	S	11/2013	Radau et al.		
D700,643	S	3/2014	Yokoi		
D707,324	S *	6/2014	Radau	.....	D22/109
D719,201	S	12/2014	Marsiglia		

**Related U.S. Application Data**

(62) Division of application No. 35/500,676, filed on Oct. 29, 2015 (U.S. filing date under 35 U.S.C. 384), and having an international filing date of Oct. 29, 2015, now Pat. No. Des. 809,582.

**Foreign Application Priority Data**

(30) May 19, 2015 (EM) ..... 002703017  
(51) **LOC (12) Cl.** ..... **16-06**  
(52) **U.S. Cl.**  
USPC ..... **D16/133**  
(58) **Field of Classification Search**  
USPC ..... D16/130, 133, 136, 237; 359/404, 407, 359/408, 414, 415, 416, 409, 410, 411, 359/412, 413, 418, 419, 426  
CPC ..... G02B 23/00  
See application file for complete search history.

(Continued)

*Primary Examiner* — Holly E Thurman  
(74) *Attorney, Agent, or Firm* — Collard & Roe, P.C.

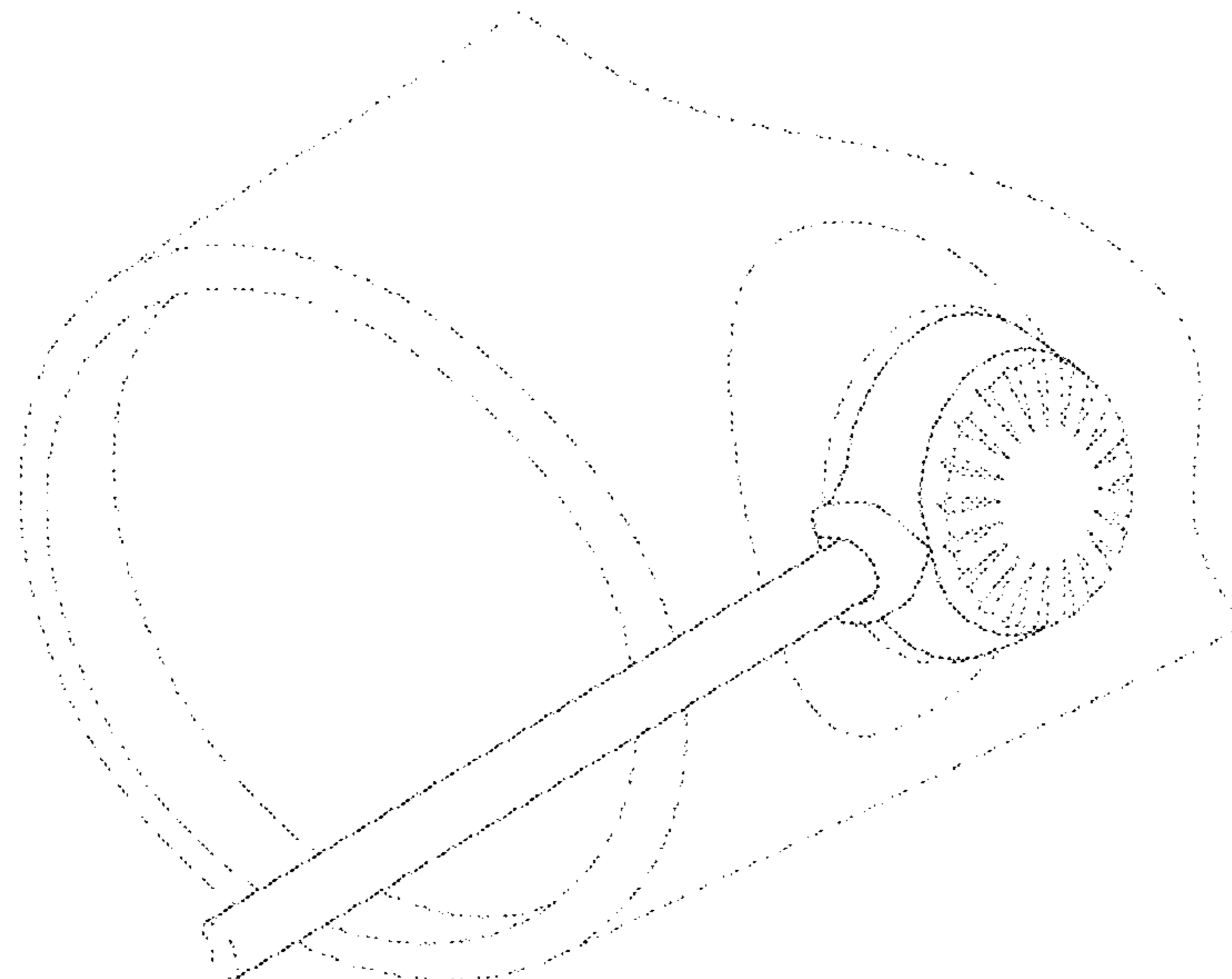
(57) **CLAIM**

The ornamental design for a portion of a spyglass, as shown and described.

**DESCRIPTION**

FIG. 1 is a front, side and top perspective view of a portion of a spyglass, showing our new design; FIG. 2 is an opposite side view thereof; and, FIG. 3 is a top view thereof. The features shown in broken lines depict environmental structure and form no part of the claimed design.

**1 Claim, 2 Drawing Sheets**



(56)

**References Cited**

U.S. PATENT DOCUMENTS

D727,384 S     4/2015   Jaeschke  
D748,177 S     1/2016   Radau  
D859,490 S \*   9/2019   Proell ..... D16/133

\* cited by examiner

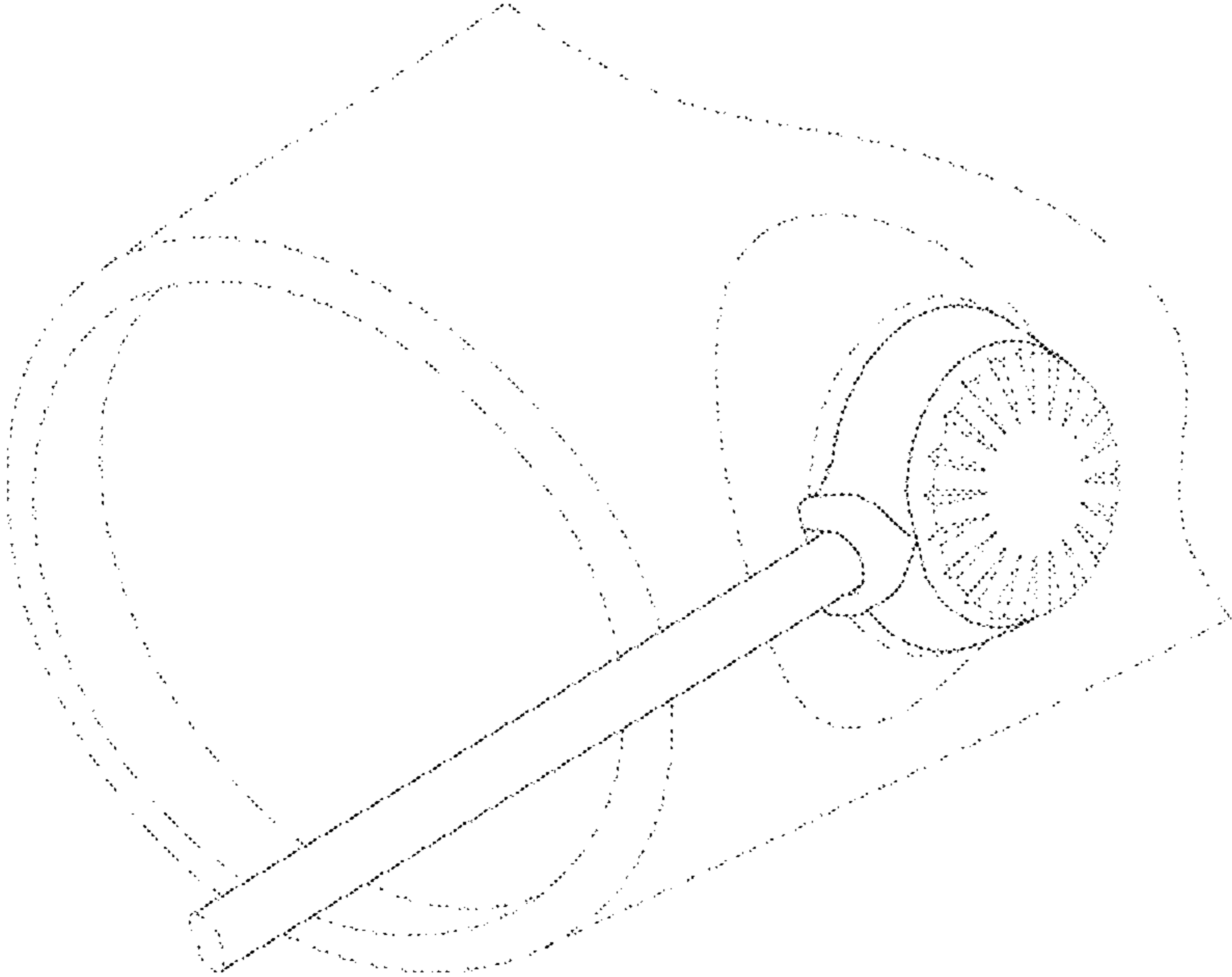


FIG. 1

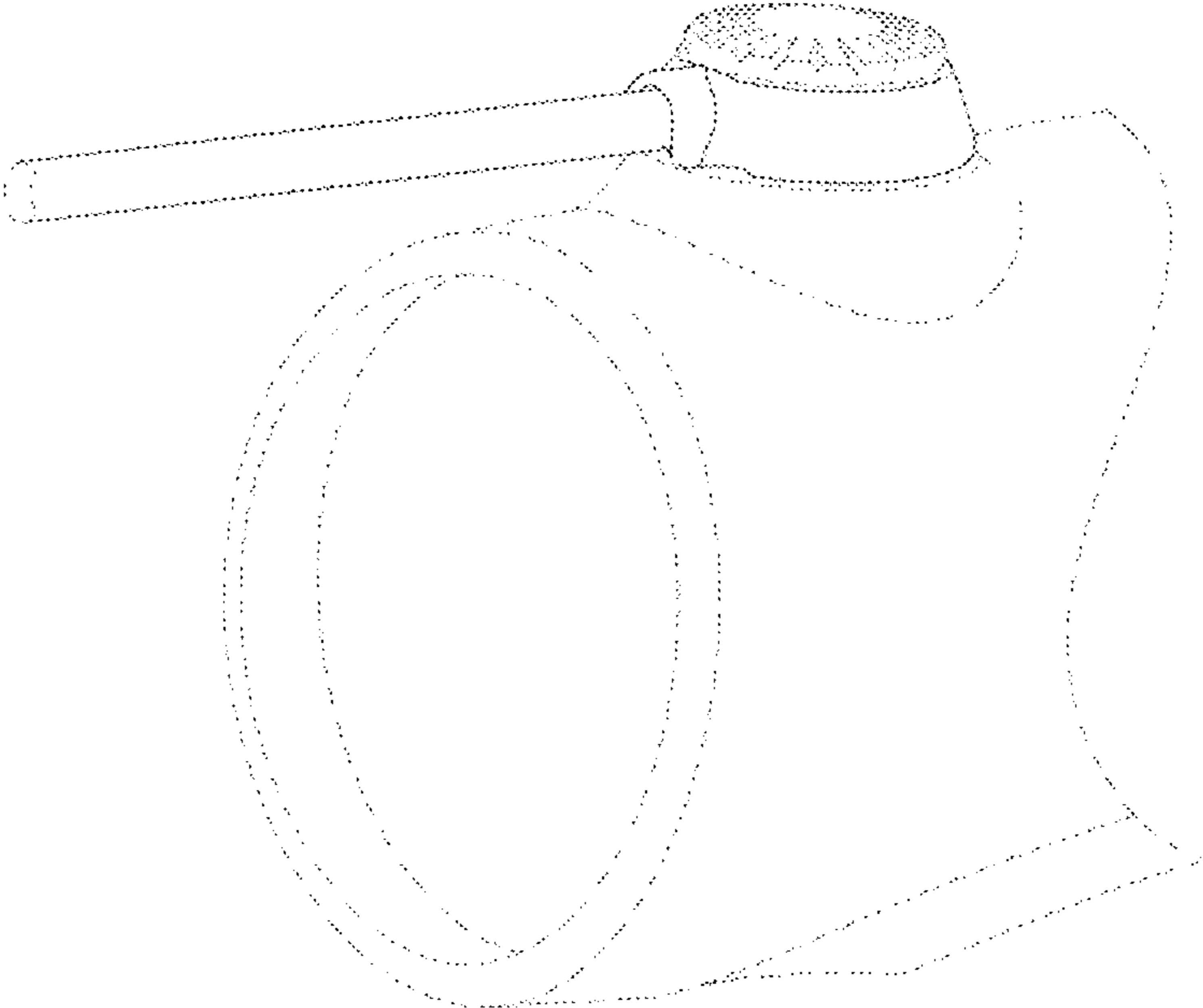


FIG. 2

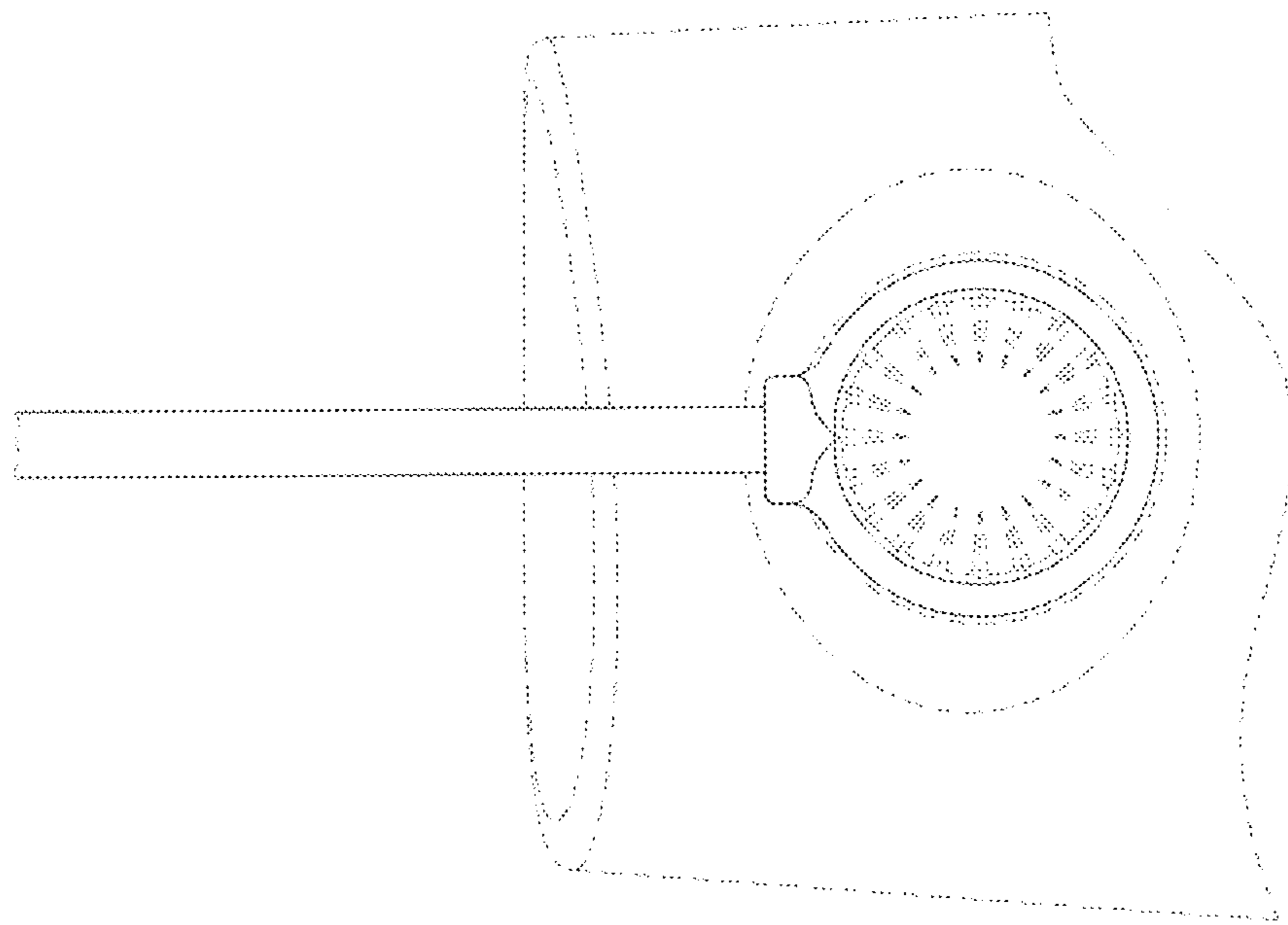


FIG. 3