



US00D877788S

(12) **United States Design Patent** (10) **Patent No.:** **US D877,788 S**
Yun et al. (45) **Date of Patent:** **** Mar. 10, 2020**

(54) **PERSONAL ROBOT**
(71) Applicant: **Zoetic, Inc.**, Sunnyvale, CA (US)
(72) Inventors: **Yipeng Yun**, Sunnyvale, CA (US); **Jitu Das**, Sunnyvale, CA (US); **Nicholas Steigmann**, San Mateo, CA (US); **Si Huang**, Sunnyvale, CA (US)
(73) Assignee: **Zoetic, Inc.**, Sunnyvale, CA (US)
(**) Term: **15 Years**
(21) Appl. No.: **29/707,209**
(22) Filed: **Sep. 26, 2019**

D635,603 S * 4/2011 Paz Rodriguez D15/199
D644,256 S * 8/2011 Kitano D15/199
D685,438 S * 7/2013 Fan D15/199
(Continued)

OTHER PUBLICATIONS

Breazeal, "Emotion and Sociable Humanoid Robots," Retrieved from the Internet at URL <http://web.media.mit.edu/~cynthiab/Papers/Breazeal-ijhcs02-final.pdf>, Nov. 3, 2002, 42 pages.

Primary Examiner — Patricia A Palasik
(74) *Attorney, Agent, or Firm* — Fish & Richardson P.C.

(57) **CLAIM**

The ornamental design for a personal robot, substantially as shown and described.

DESCRIPTION

FIG. 1 is a perspective view of a first embodiment of the personal robot showing the new design.
FIG. 2 is a front elevation view thereof.
FIG. 3 is a rear elevation view thereof.
FIG. 4 is a side elevation view, the opposite side being a mirror image thereof.
FIG. 5 is a top view thereof.
FIG. 6 is a bottom view thereof.
FIG. 7 is a front elevation view in a collapsed position thereof.
FIG. 8 is a perspective view of a second embodiment of the personal robot showing the new design.
FIG. 9 is a front elevation view thereof.
FIG. 10 is a rear elevation view thereof.
FIG. 11 is a side elevation view, the opposite side being a mirror image thereof.
FIG. 12 is a top view thereof.
FIG. 13 is a bottom view thereof; and,
FIG. 14 is a front elevation view in a collapsed position thereof.
The broken lines in the Figures show portions of the personal robot that form no part of the claimed design.

Related U.S. Application Data

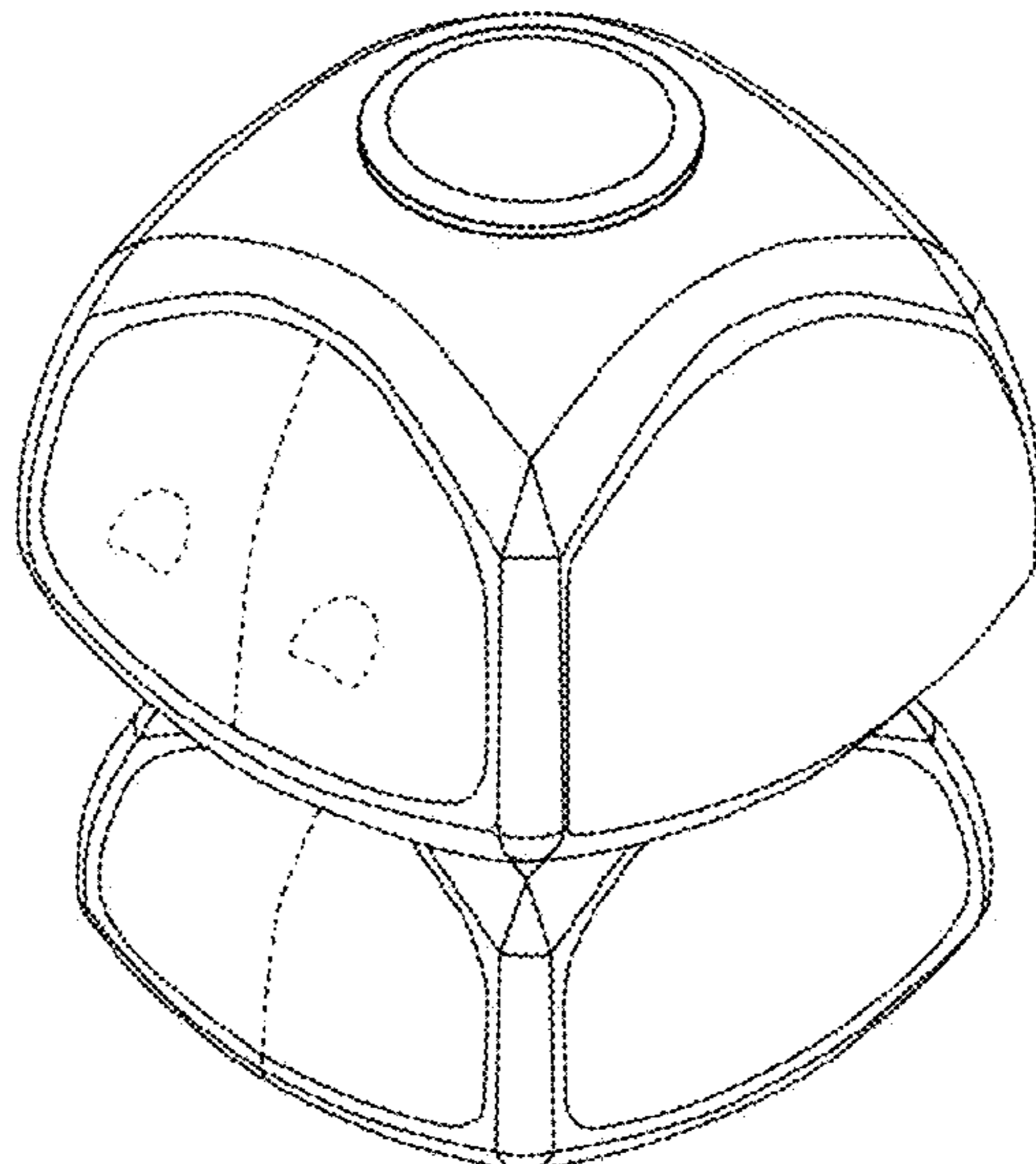
(62) Division of application No. 29/639,478, filed on Mar. 6, 2018, now Pat. No. Des. 866,627.
(51) **LOC (12) Cl.** **15-99**
(52) **U.S. Cl.**
USPC **D15/199**
(58) **Field of Classification Search**
USPC D15/122, 199; D21/578-583, 621, 622;
D23/259, 262, 263
CPC A63H 3/00; A63H 11/00; B25J 19/00
See application file for complete search history.

(56) **References Cited**

U.S. PATENT DOCUMENTS

D290,032 S * 5/1987 Horiuchi D21/578
D304,962 S * 12/1989 Watanabe D21/578
D410,479 S * 6/1999 Sawai D16/202
D450,788 S * 11/2001 Kawasaki D21/578
D500,067 S * 12/2004 Liu D16/202
D541,353 S * 4/2007 Takahashi D21/578
D549,756 S * 8/2007 Park D15/199
D608,845 S * 1/2010 Tang D21/585
D624,610 S * 9/2010 Wu D21/578

1 Claim, 14 Drawing Sheets



(56)

References Cited

U.S. PATENT DOCUMENTS

D688,329	S	*	8/2013	Vinh Hoang	D15/199
D695,345	S	*	12/2013	Park	D19/59
D710,953	S	*	8/2014	Katsutani	D15/199
D719,621	S	*	12/2014	Song	D21/578
D725,167	S	*	3/2015	Song	D15/199
D761,894	S	*	7/2016	Ho	D15/199
D774,148	S	*	12/2016	Hong	D21/578
D793,145	S	*	8/2017	Huang	D15/199
D795,321	S	*	8/2017	Liu	D15/199
D806,805	S	*	1/2018	Takahashi	D21/578
D810,167	S	*	2/2018	Yang	D15/199
D811,458	S	*	2/2018	Wang	D15/199
D822,740	S	*	7/2018	Tsai	D15/199
D822,744	S	*	7/2018	Hathway	D16/203
D823,367	S	*	7/2018	Tsai	D15/199
D837,854	S	*	1/2019	Zhou	D15/199

* cited by examiner

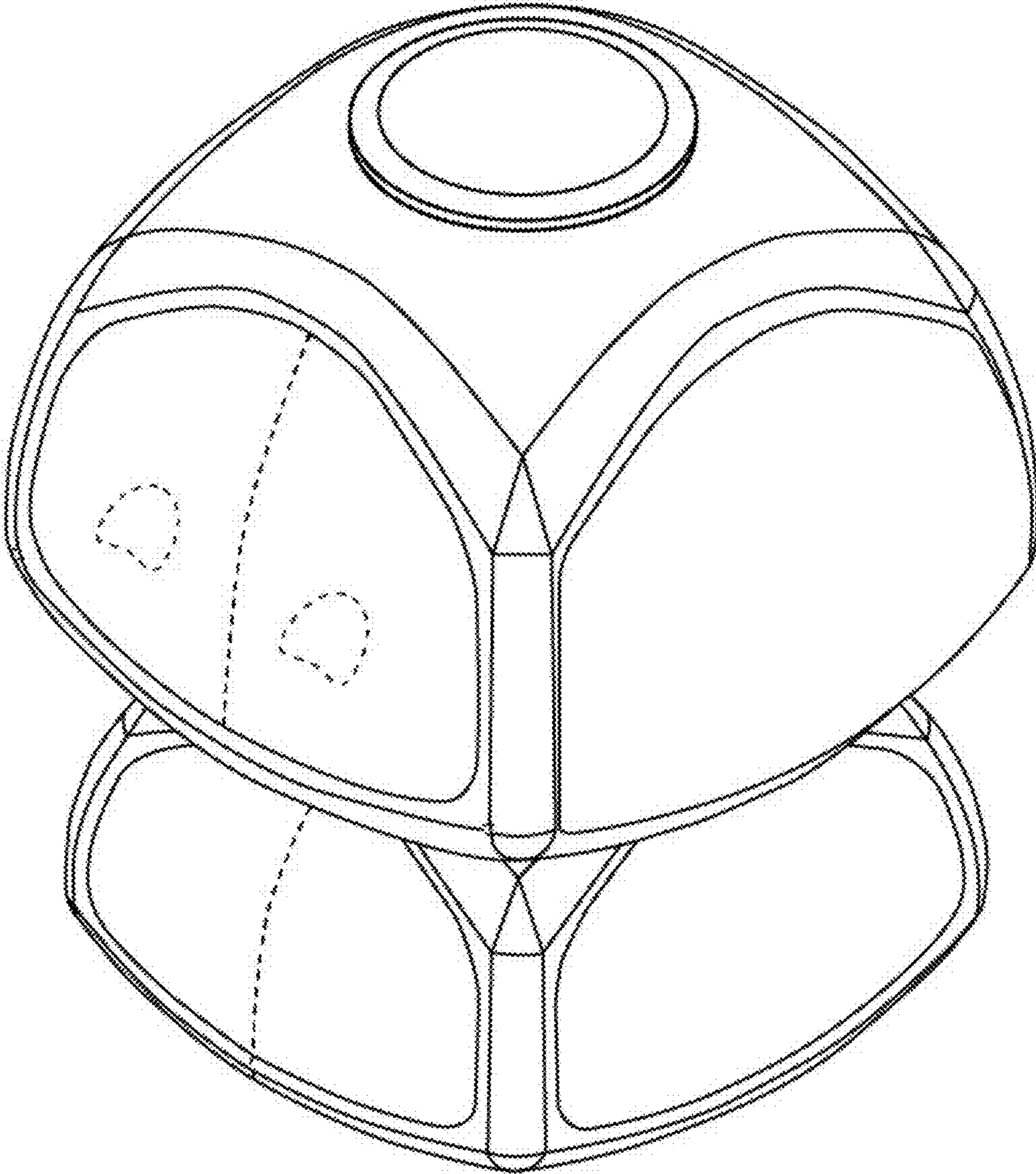


FIG. 1

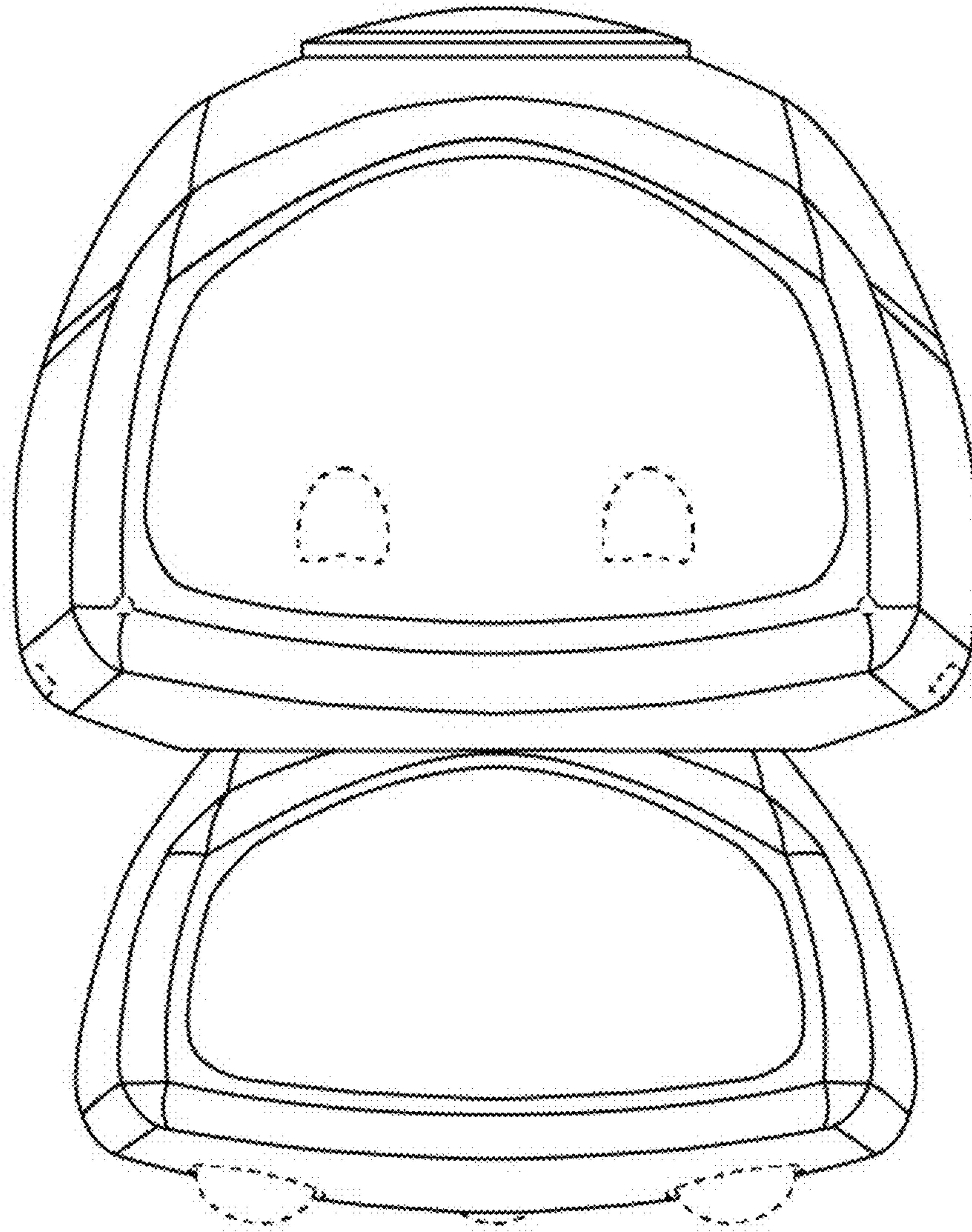


FIG. 2

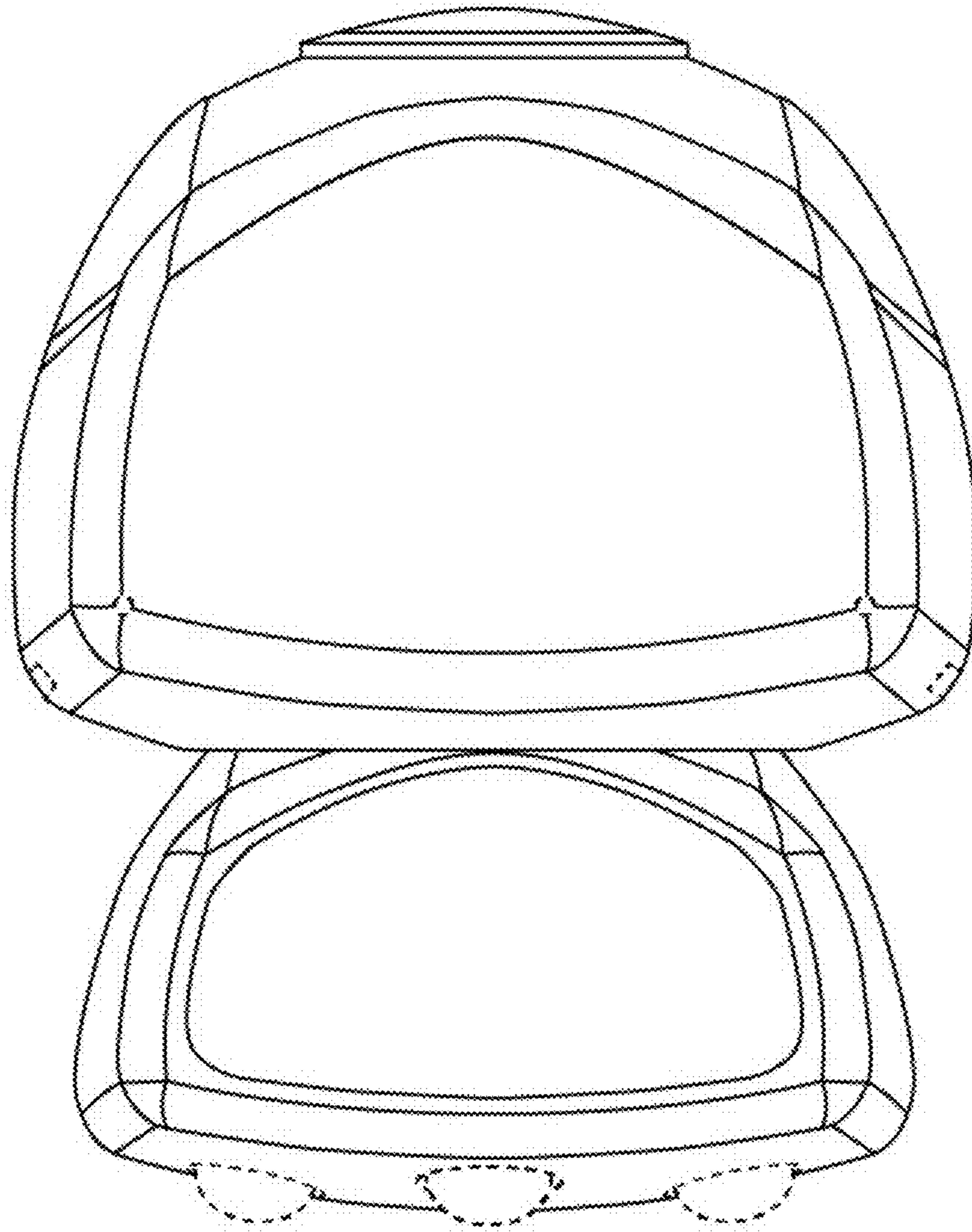


FIG. 3

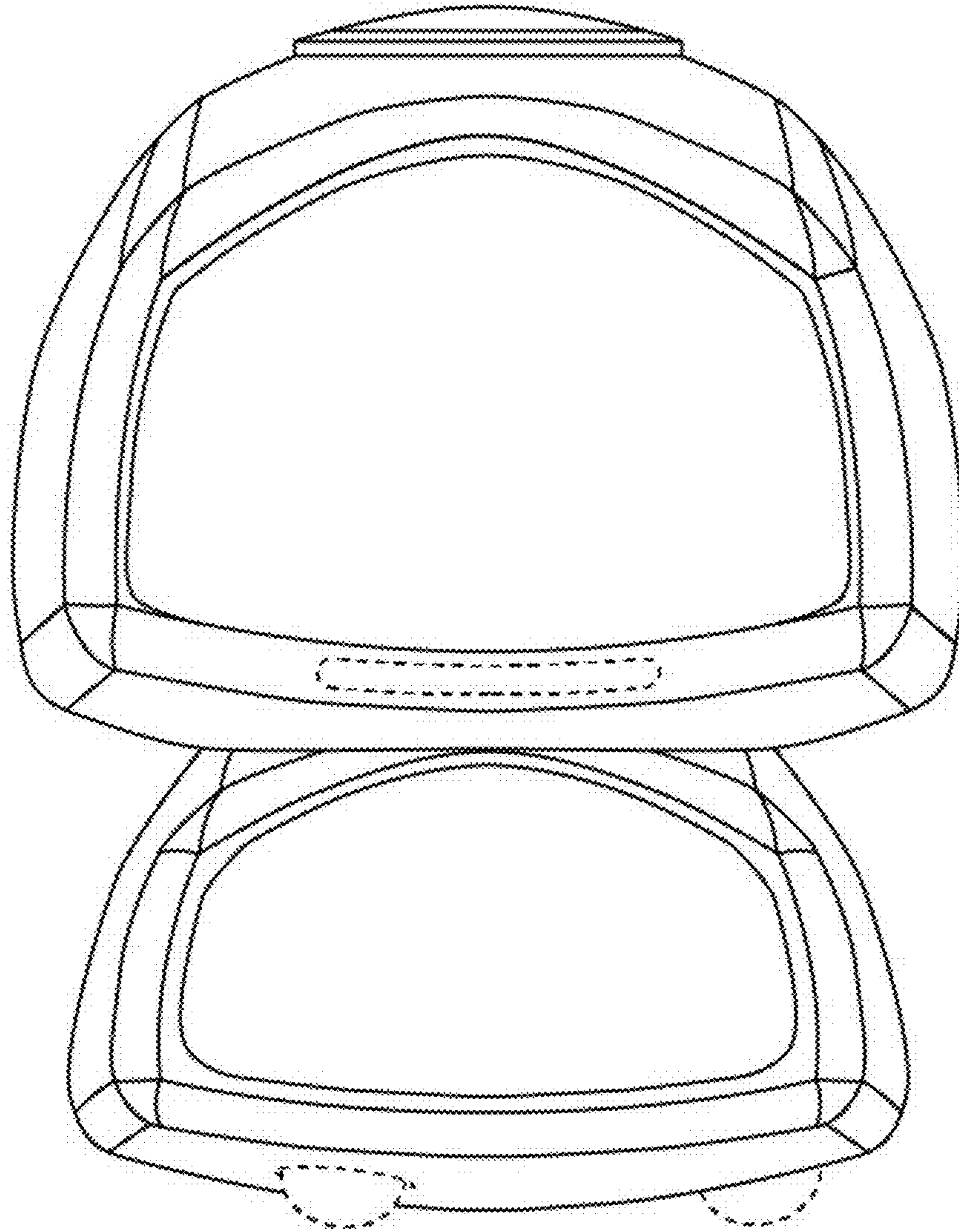


FIG. 4

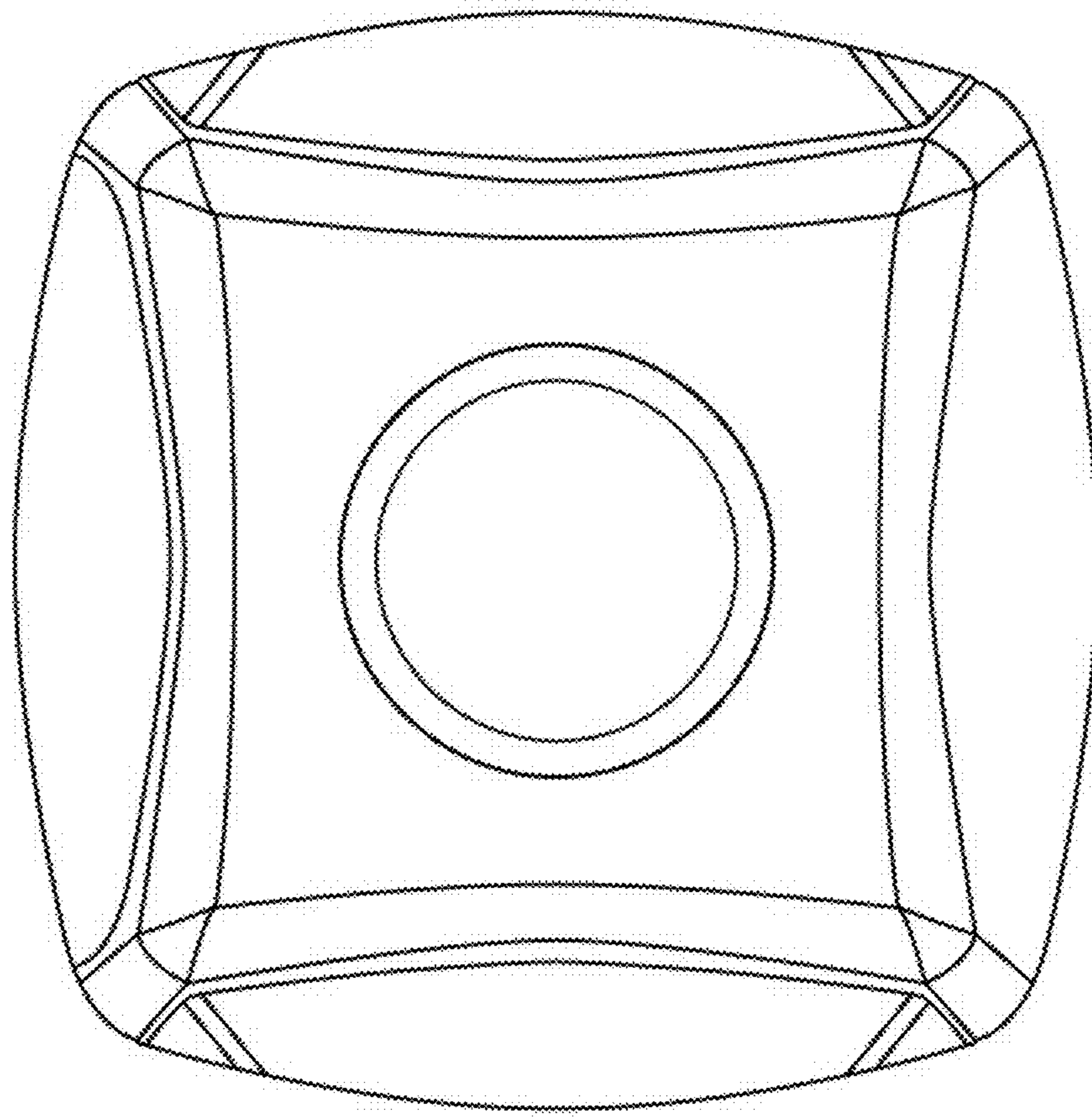


FIG. 5

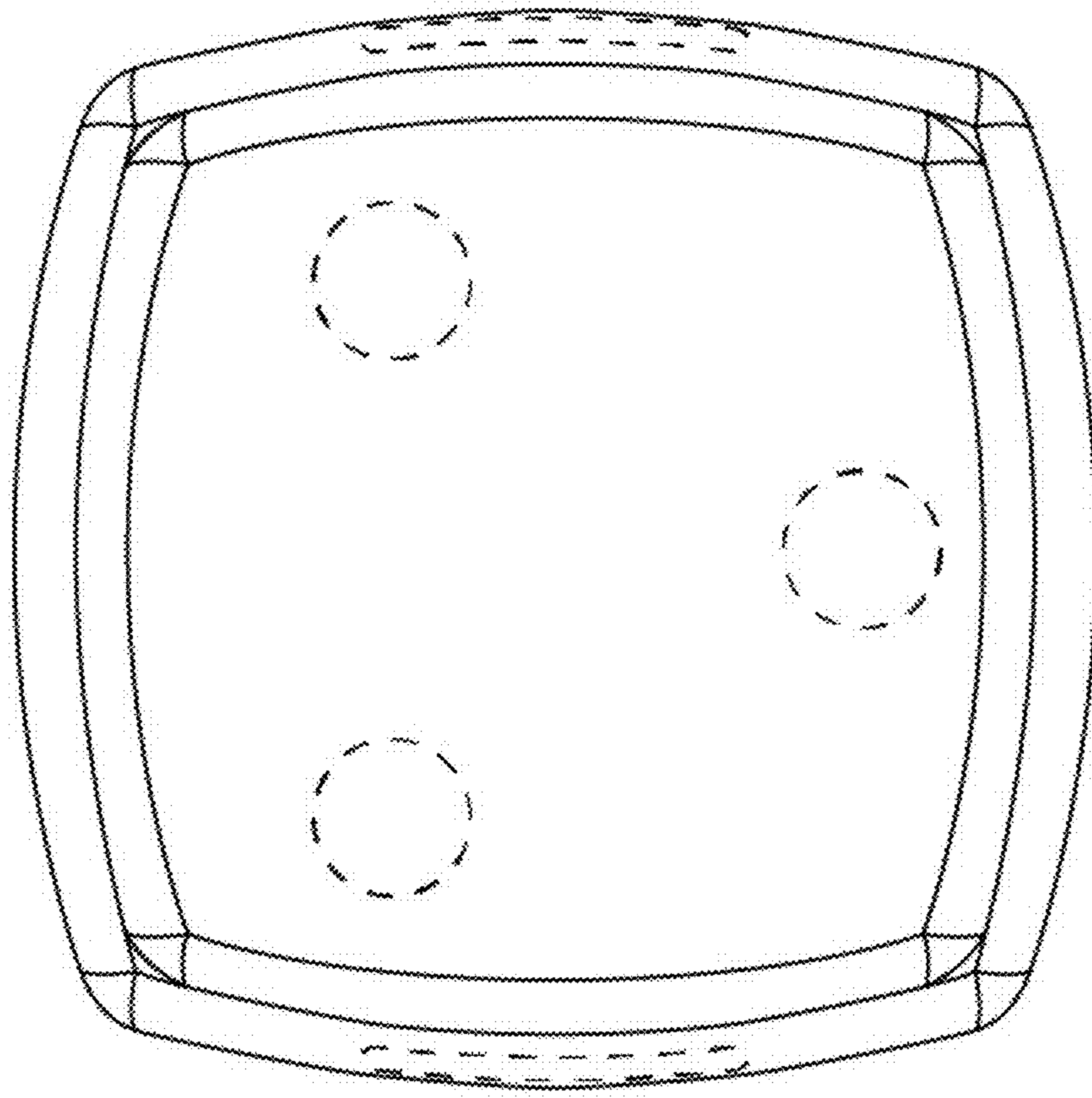


FIG. 6

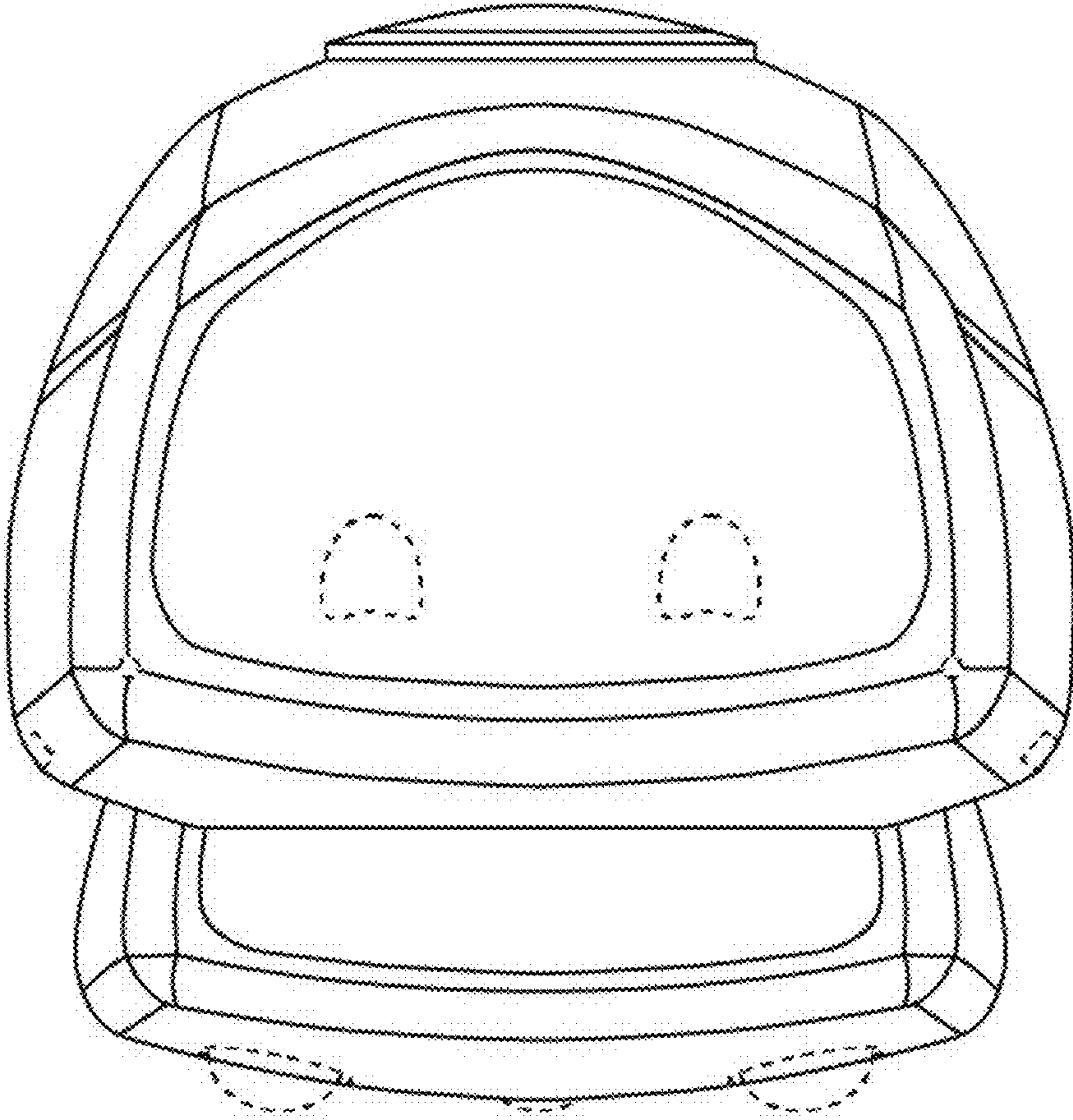


FIG. 7

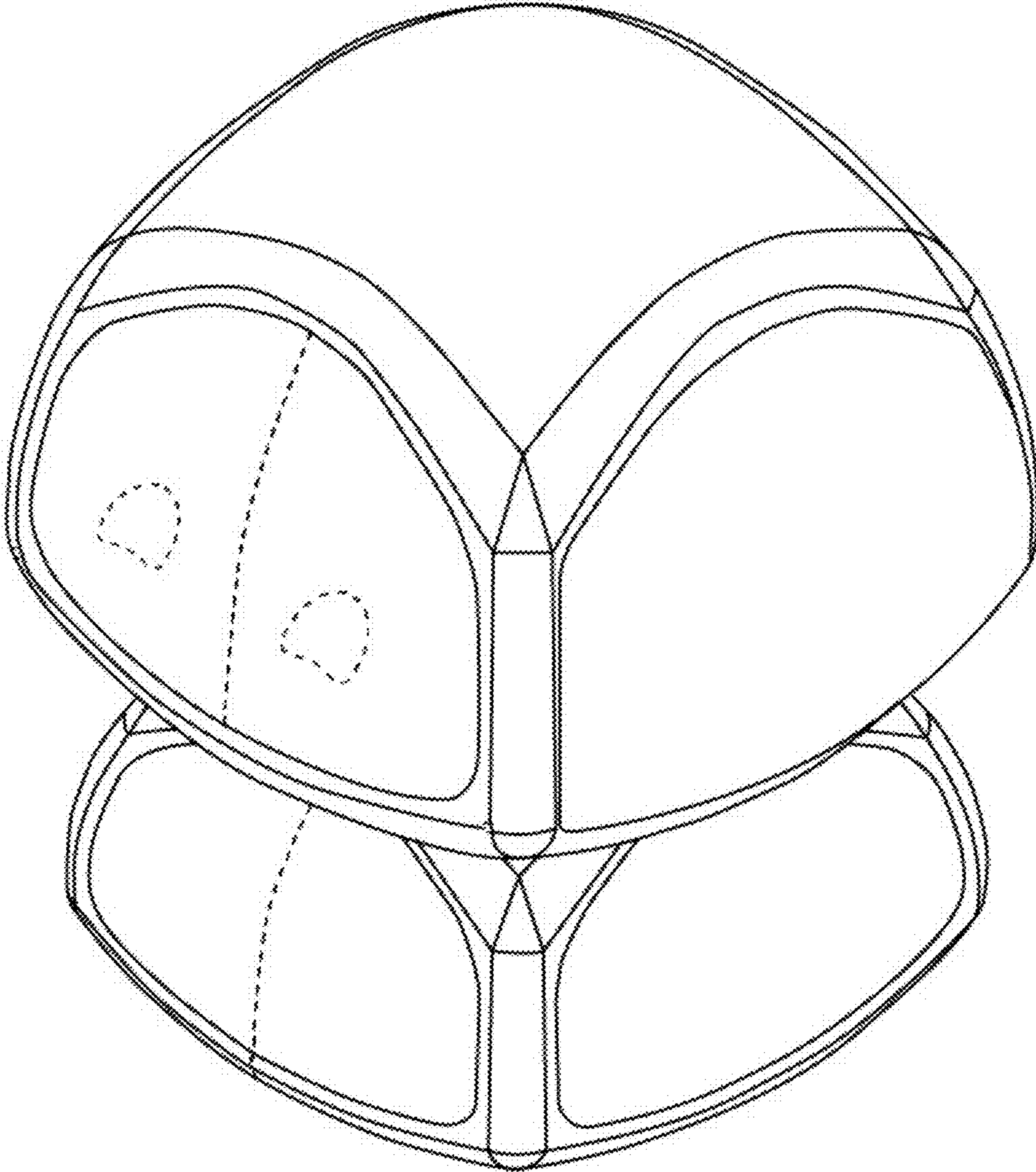


FIG. 8

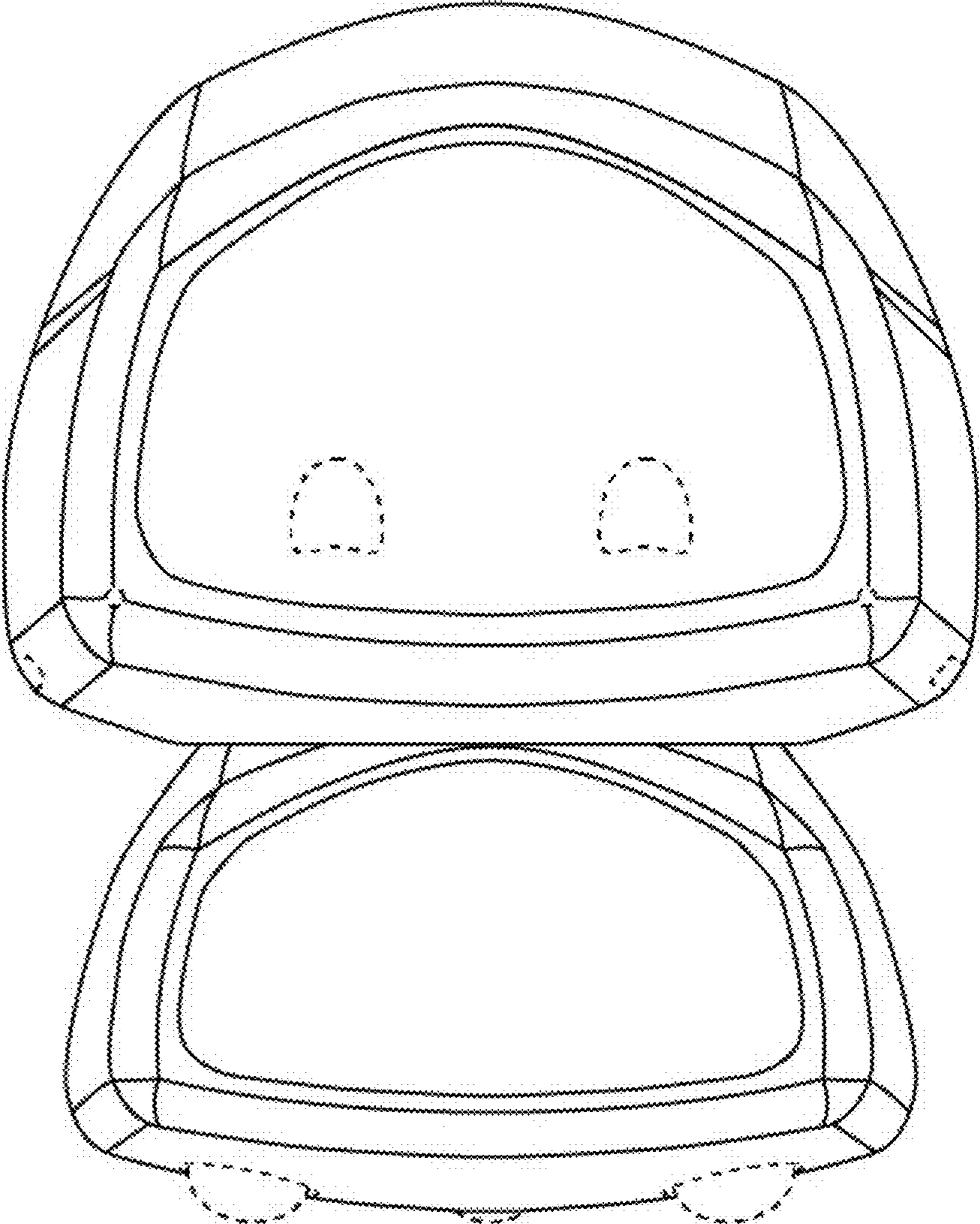


FIG. 9

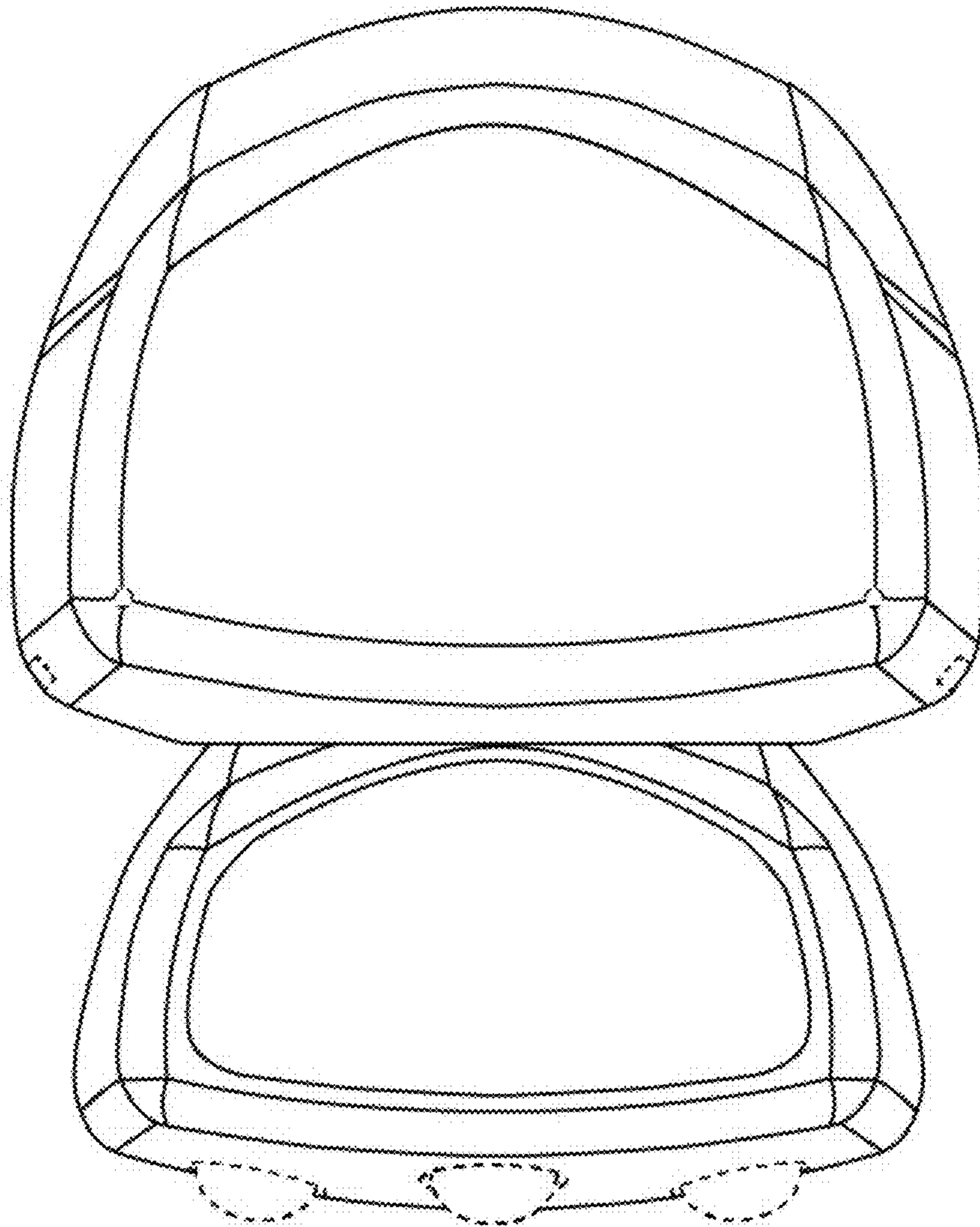


FIG. 10

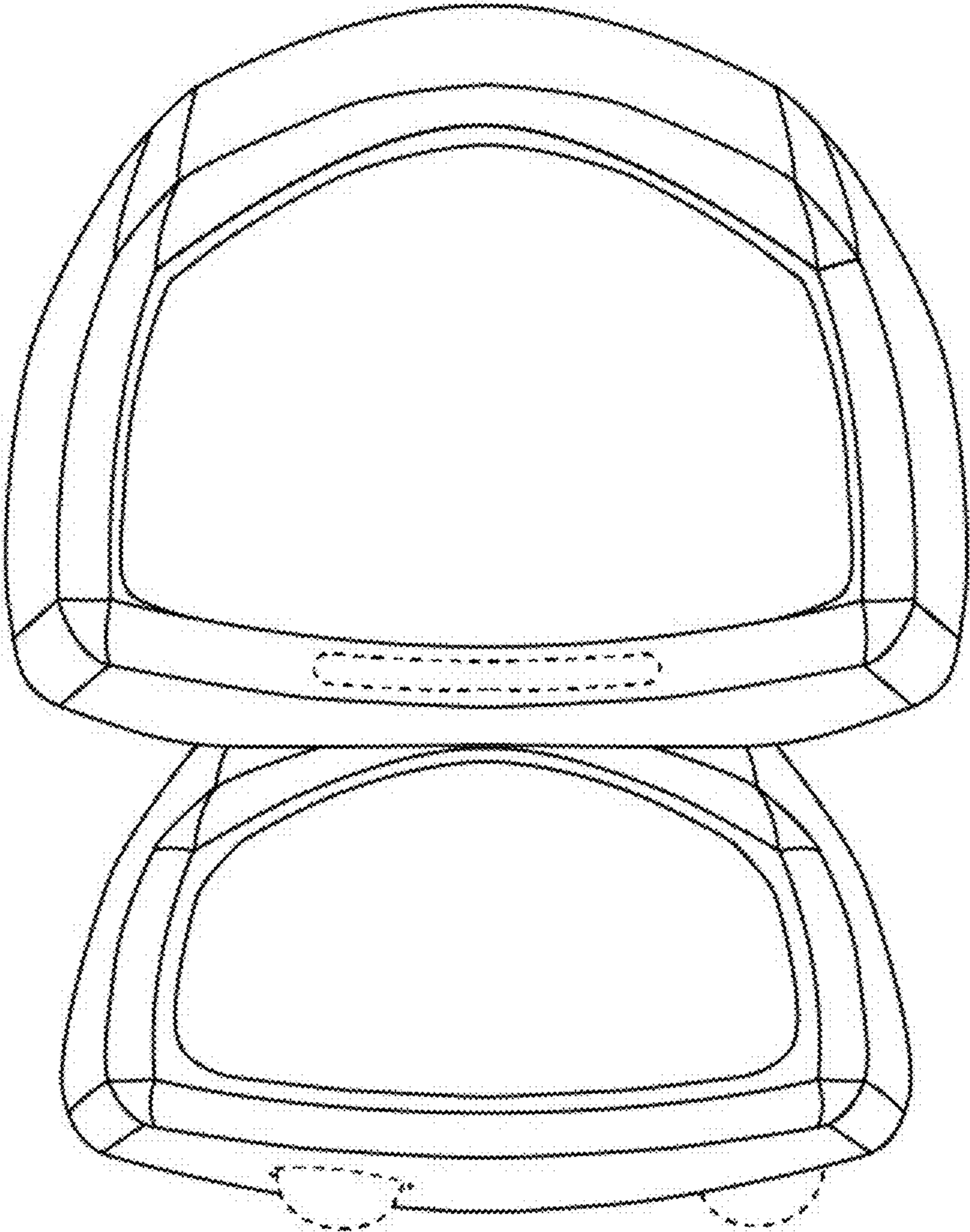


FIG. 11

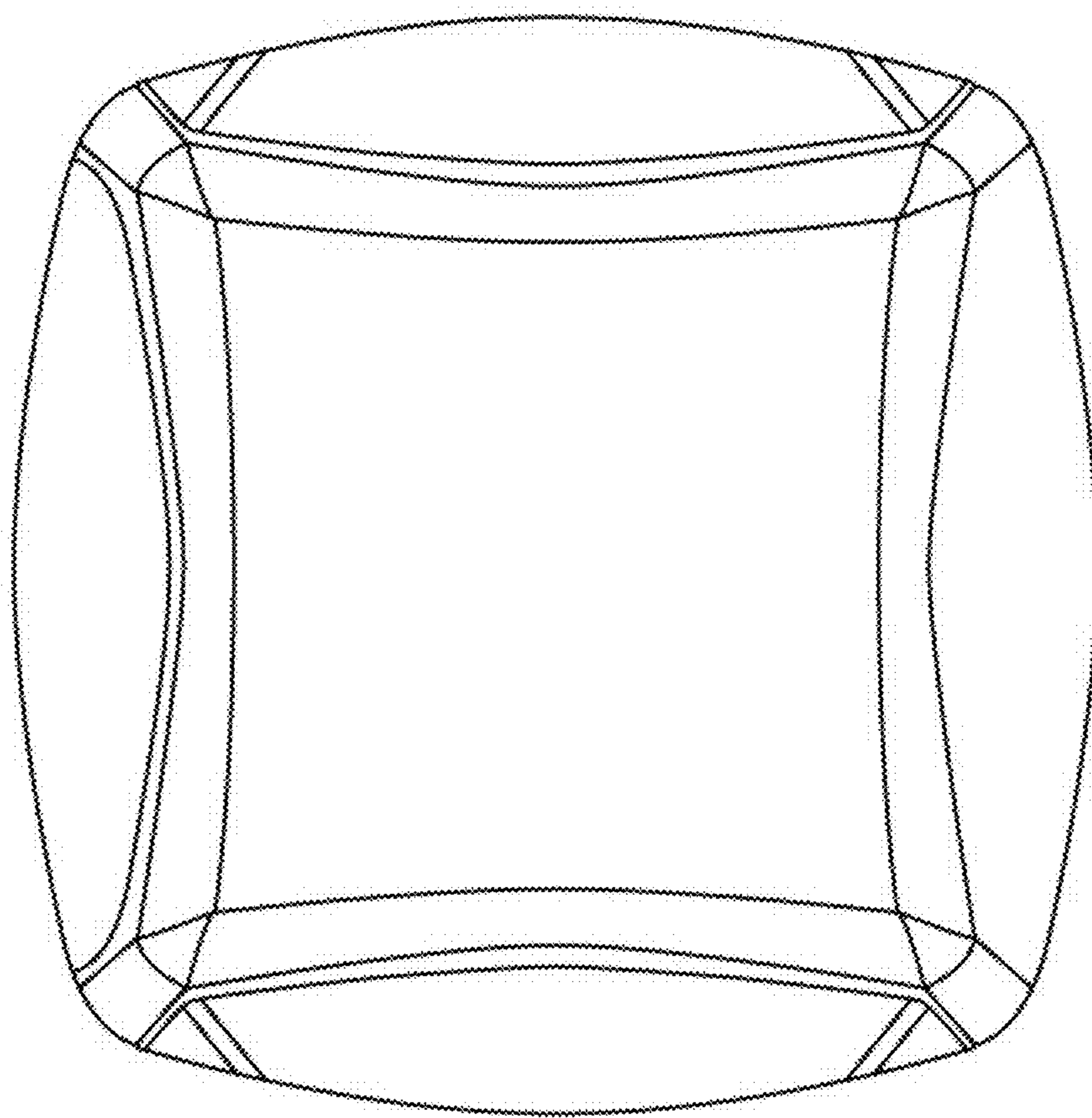


FIG. 12

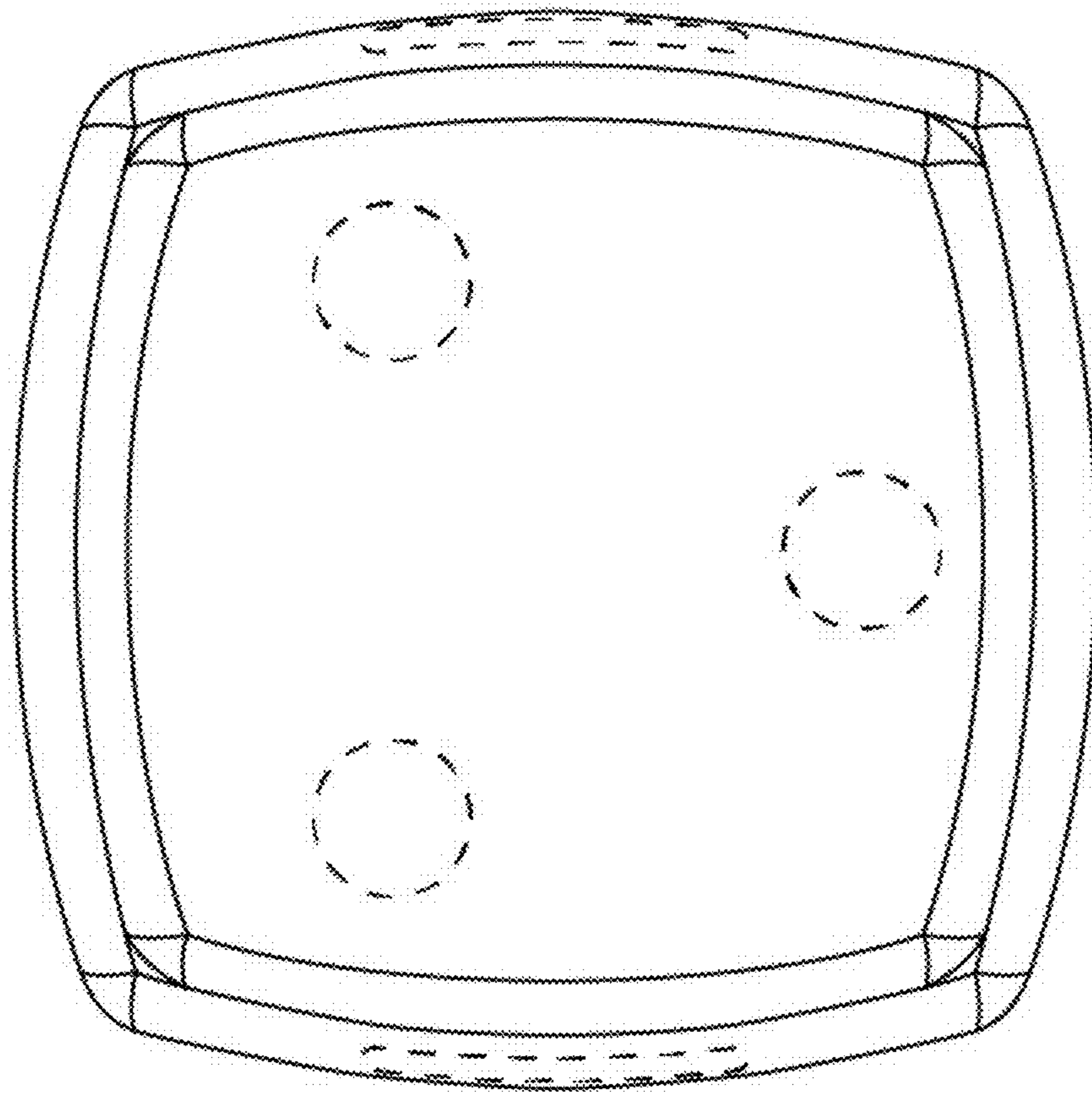


FIG. 13

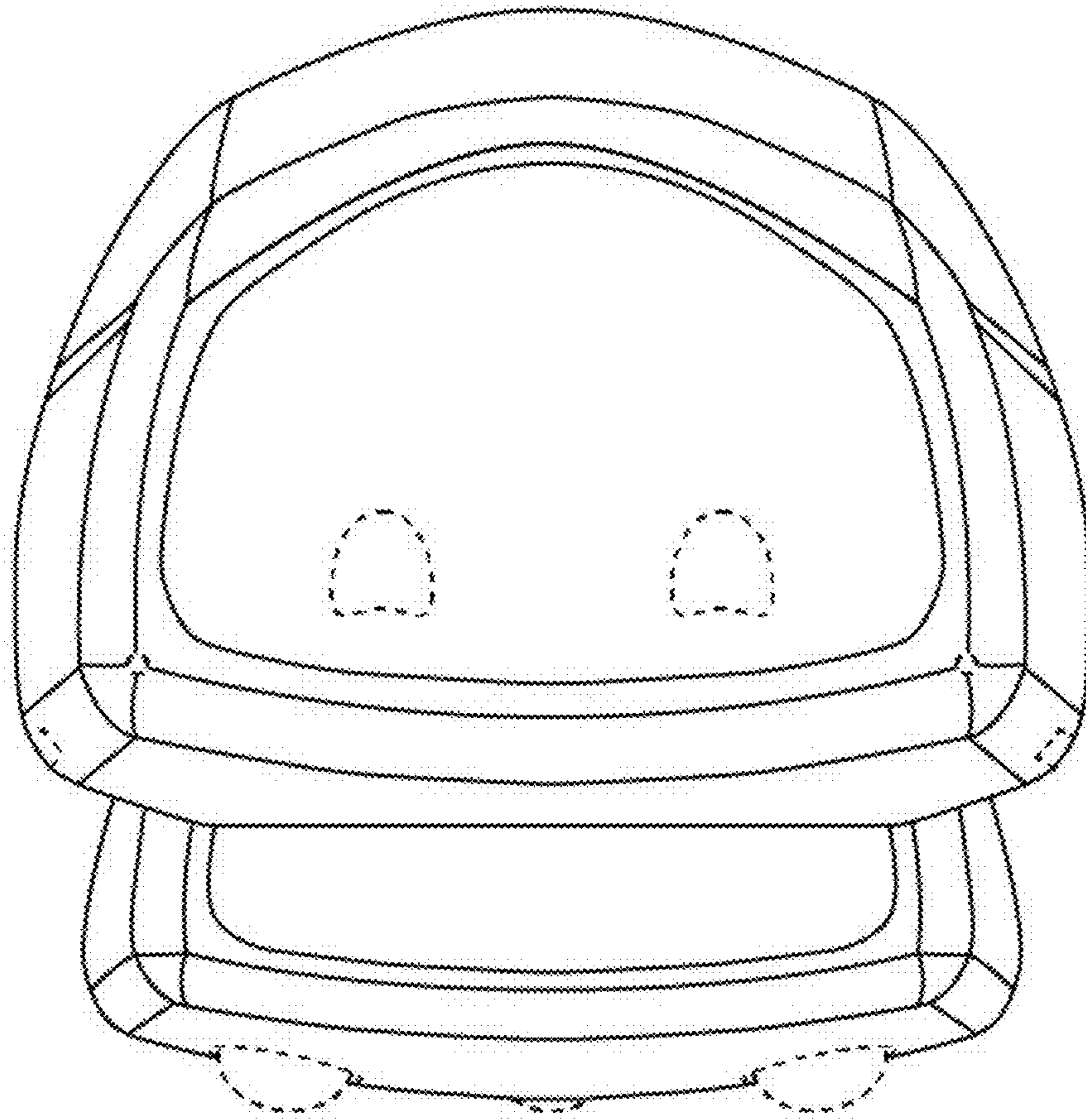


FIG. 14