



US00D877786S

(12) **United States Design Patent**
Gayne et al.

(10) **Patent No.:** **US D877,786 S**

(45) **Date of Patent:** **** *Mar. 10, 2020**

- (54) **AUTONOMOUS MOBILE ROBOT**
- (71) Applicant: **Jabil Inc.**, St. Petersburg, FL (US)
- (72) Inventors: **Jarrett Gayne**, St. Petersburg, FL (US);
Timothy Rowland, St. Petersburg, FL (US)
- (73) Assignee: **JABIL INC.**, St. Petersburg, FL (US)
- (*) Notice: This patent is subject to a terminal disclaimer.
- (**) Term: **15 Years**
- (21) Appl. No.: **29/642,662**
- (22) Filed: **Mar. 30, 2018**
- (51) **LOC (12) Cl.** **15-19**
- (52) **U.S. Cl.**
USPC **D15/199**
- (58) **Field of Classification Search**
USPC D32/21, 31; D13/108-109; 15/319;
D15/199
CPC E04H 4/1654; A47L 2201/00; A47L 2201/02; A47L 2201/04; A47L 2201/06; A47L 9/0461; A47L 9/2805; B25J 9/1694; B25J 9/0006; B25J 5/00; B25J 5/007; B25J 19/0016
See application file for complete search history.

- D725,166 S * 3/2015 Paik D15/199
- D735,258 S * 7/2015 Jang D15/199
- D760,671 S * 7/2016 Chalabi D14/125
- D766,644 S * 9/2016 Huang D15/199
- D776,651 S * 1/2017 Yates D14/307
- 9,776,327 B2 * 10/2017 Pinter G06Q 50/22
- D802,040 S * 11/2017 Canoso D15/199
- D808,601 S * 1/2018 Luo D32/21
- D840,452 S * 2/2019 Yoo D15/199
- D841,067 S * 2/2019 Camporesi D15/199

* cited by examiner

Primary Examiner — Ruth McInroy

(74) *Attorney, Agent, or Firm* — Thomas J. McWilliams; Barnes & Thornburg LLP

(57) **CLAIM**

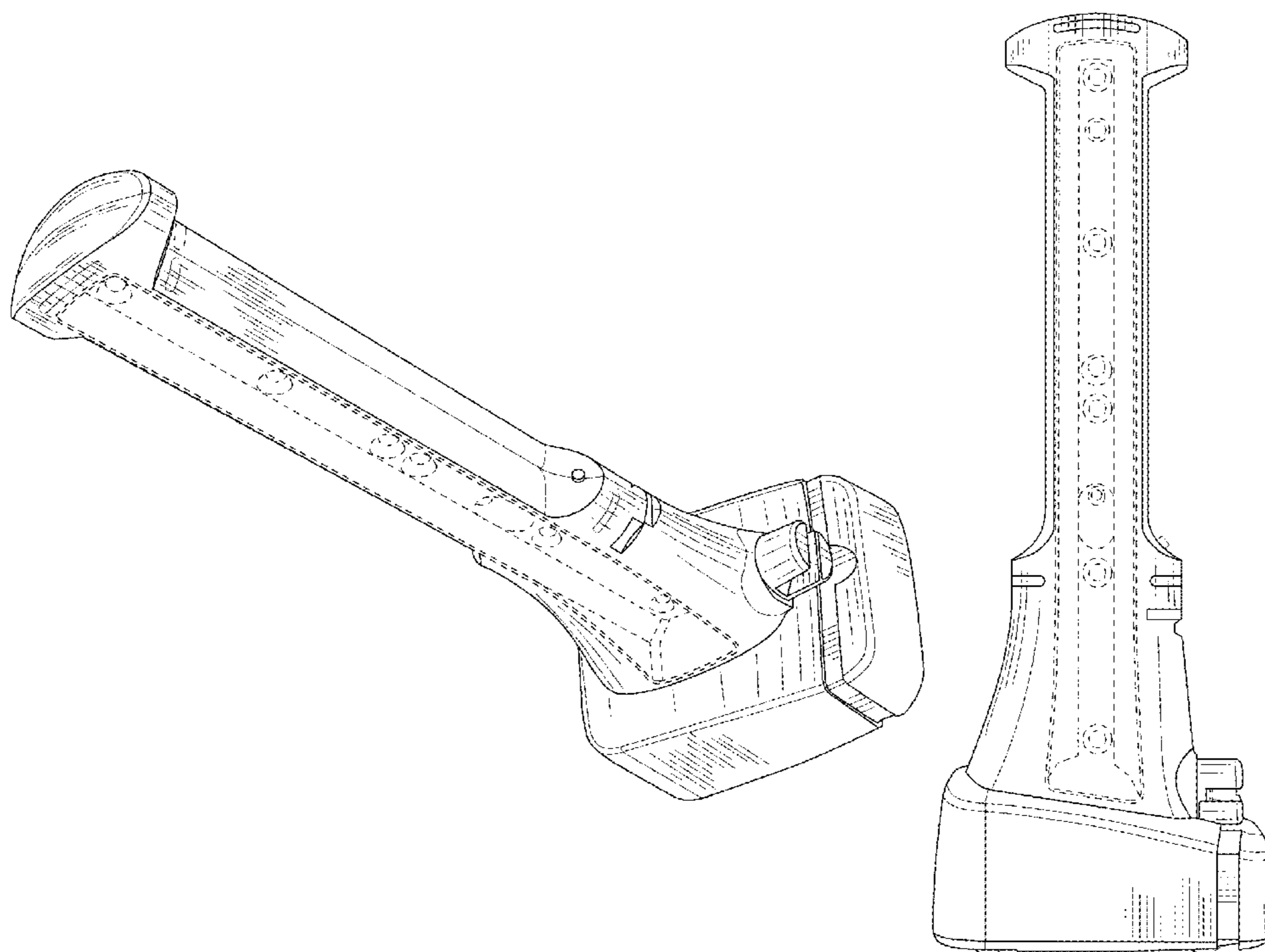
We claim the ornamental design for an autonomous mobile robot, as shown and described.

DESCRIPTION

FIG. 1 is a top perspective view of an autonomous mobile robot showing our new design; FIG. 2 is a front view thereof; FIG. 3 is a rear view thereof; FIG. 4 is a side view thereof; FIG. 5 is a side opposite FIG. 4; FIG. 6 is a top view thereof; and, FIG. 7 is a bottom perspective view thereof. The details shown in broken lines form no part of the claimed design.

1 Claim, 5 Drawing Sheets

- (56) **References Cited**
U.S. PATENT DOCUMENTS
D644,256 S * 8/2011 Kitano D15/199
D675,656 S * 2/2013 Sutherland D15/199



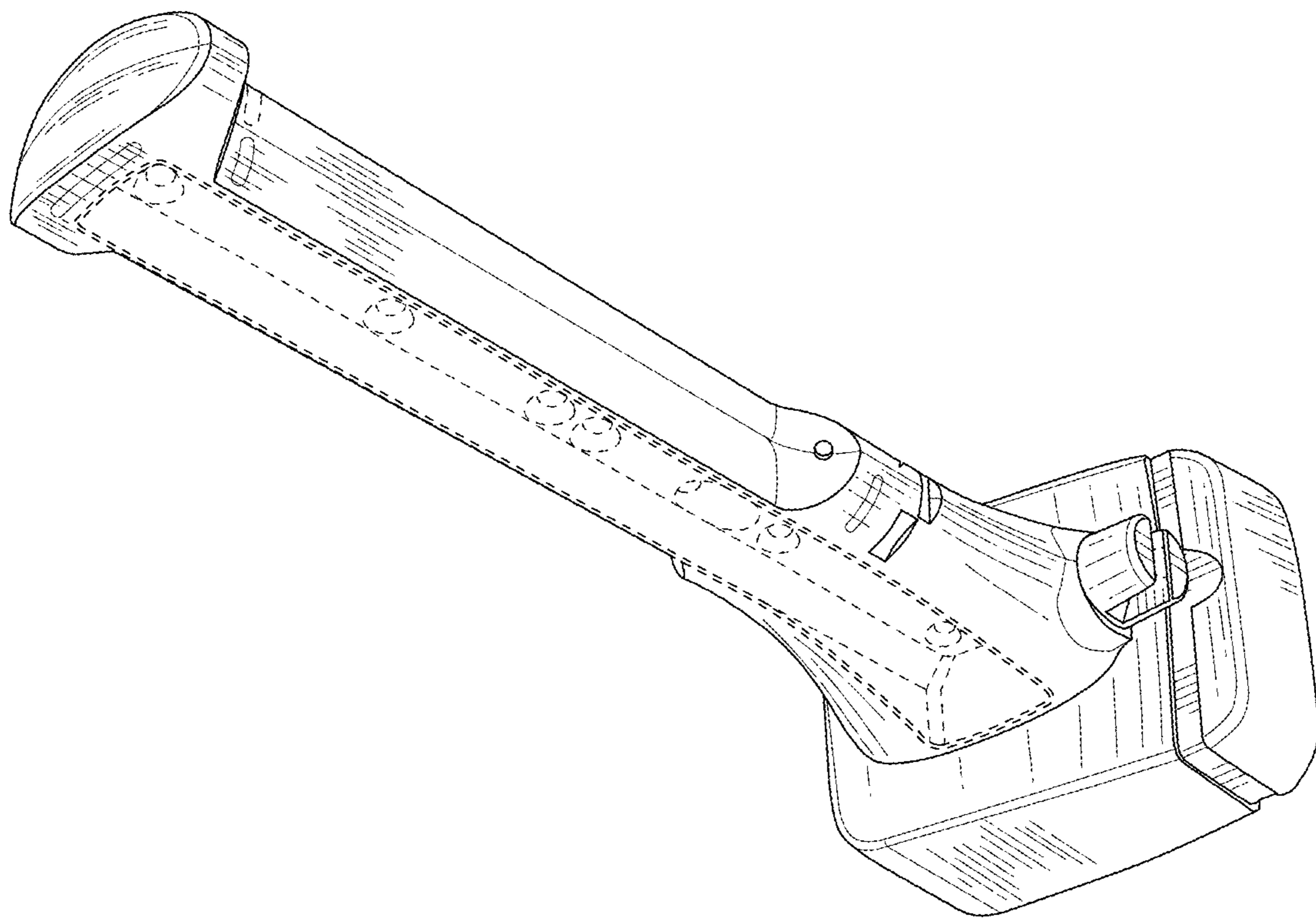


FIG. 1

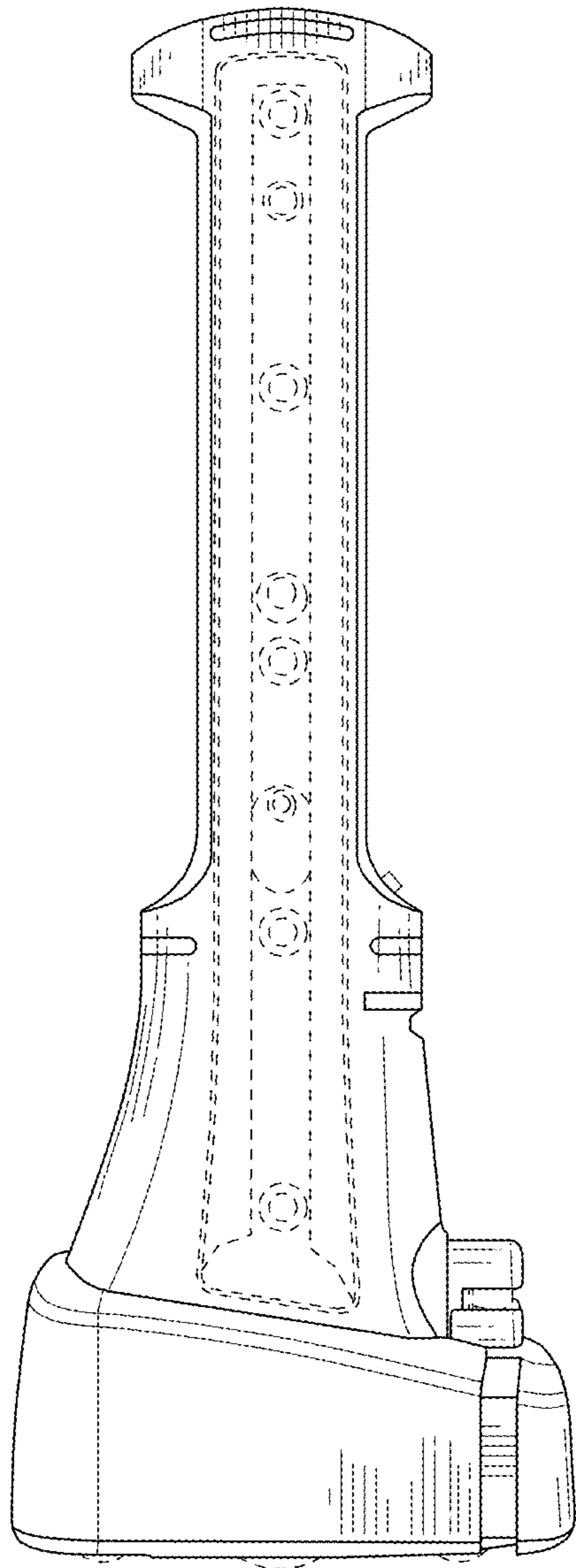


FIG. 2

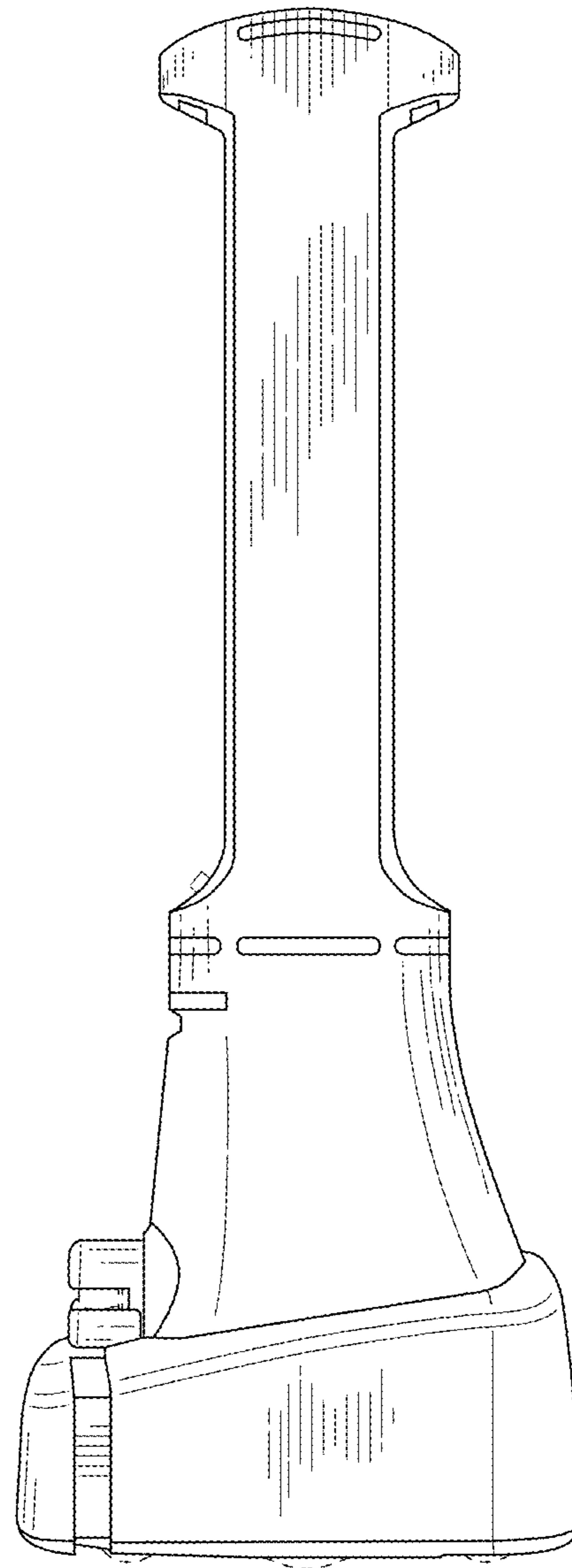


FIG. 3

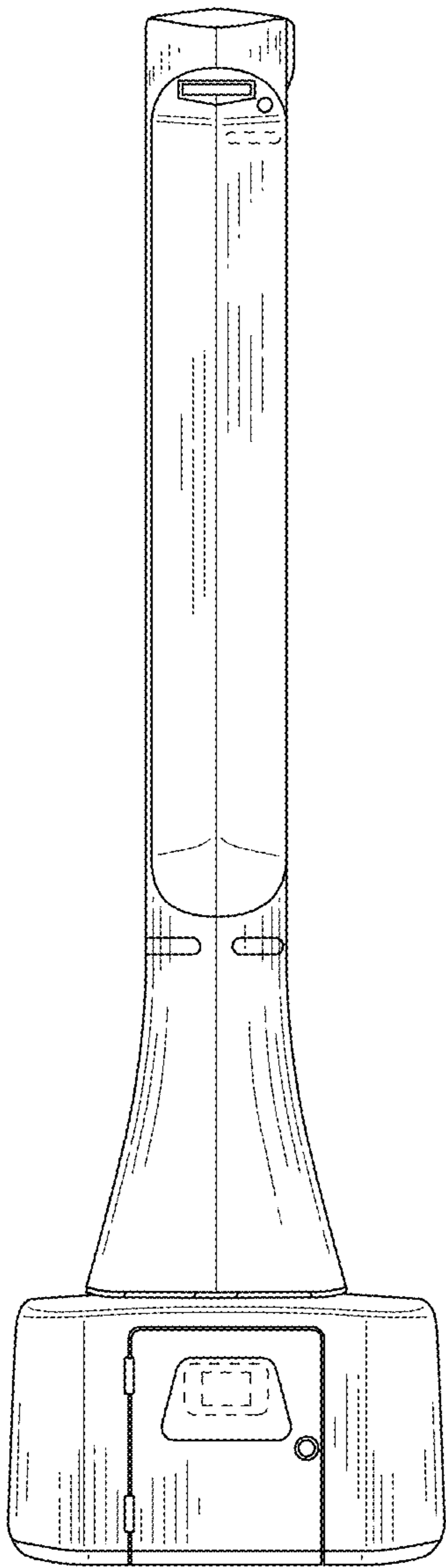


FIG. 4

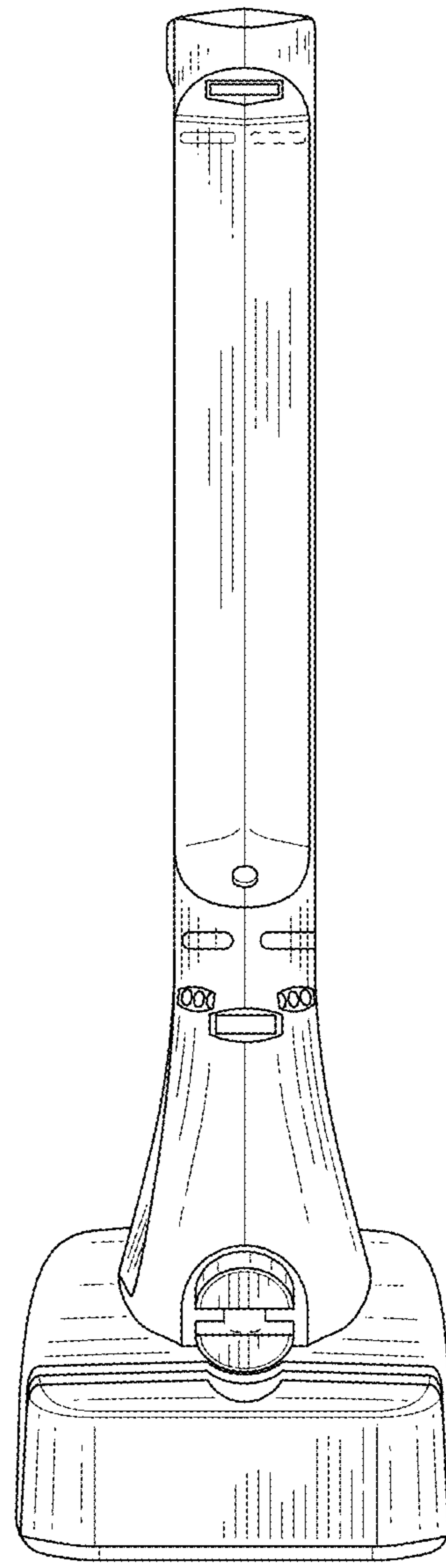


FIG. 5

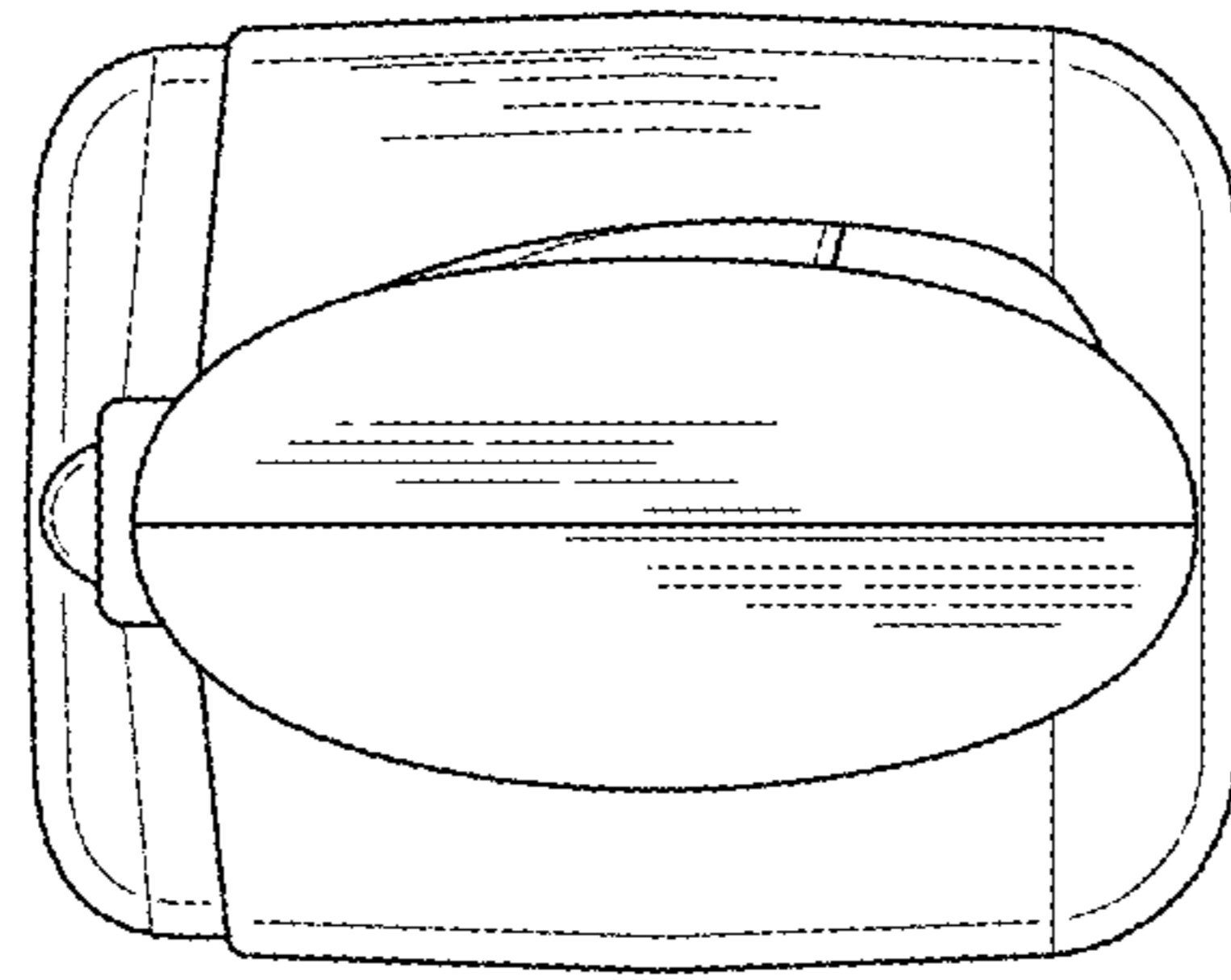


FIG. 6

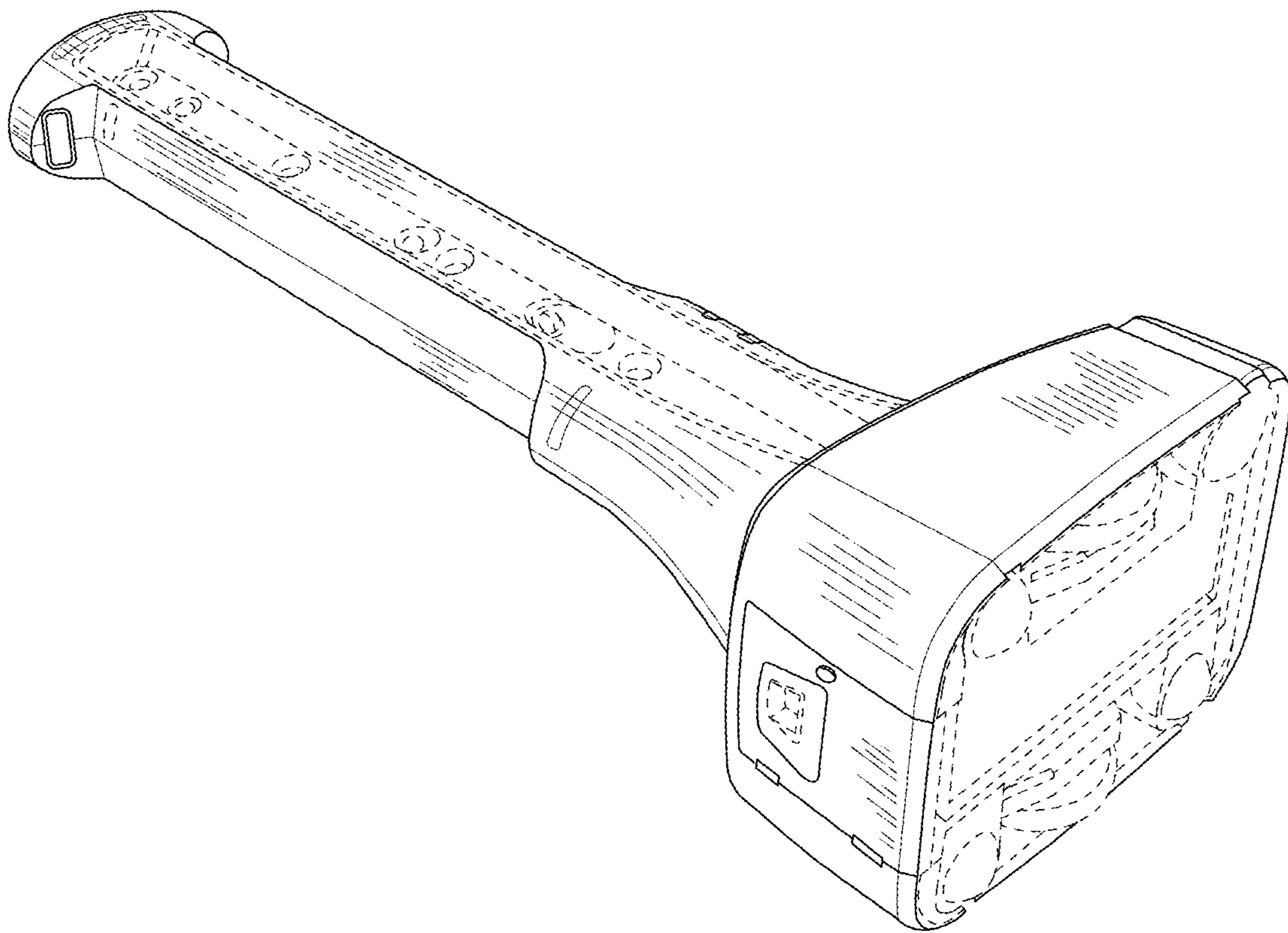


FIG. 7