



US00D877785S

(12) **United States Design Patent**
Funk et al.

(10) **Patent No.:** **US D877,785 S**
(45) **Date of Patent:** **** Mar. 10, 2020**

(54) **FRAME FOR A WELL PIPE INSTALLATION DEVICE**

(71) Applicant: **Funk Manufacturing Up-Z-Dazy, Inc.**,
Shippensburg, PA (US)

(72) Inventors: **Lester E. Funk**, Newville, PA (US);
Joseph M. Allen, Hanover, PA (US);
Dwayne D. Gutshall, Shippensburg, PA (US);
Manuel Valderrama, IV, Chambersburg, PA (US)

(73) Assignee: **Funk Manufacturing Up-Z-Dazy, Inc.**,
Shippensburg, PA (US)

(**) Term: **15 Years**

(21) Appl. No.: **29/699,478**

(22) Filed: **Jul. 25, 2019**

(51) **LOC (12) Cl.** **15-09**

(52) **U.S. Cl.**
USPC **D15/141; D23/259**

(58) **Field of Classification Search**
USPC D15/122, 138, 140, 141, 199; D23/259,
D23/264, 265, 266
CPC B65B 11/04; B65B 25/24; B65B 51/10;
G16H 20/13
See application file for complete search history.

(56) **References Cited**

U.S. PATENT DOCUMENTS

2,245,938	A *	6/1941	Ratigan	E21B 19/06 294/90
3,871,618	A	3/1975	Funk		
D258,379	S *	2/1981	Joseph	166/241.6
5,823,258	A *	10/1998	Goldner	E21B 17/10 166/77.1
9,790,750	B1 *	10/2017	Stoldt	E21B 19/166
2003/0194269	A1 *	10/2003	Garza	E01F 5/005 404/2

2012/0048535	A1 *	3/2012	Ruttley	E21B 19/00 166/85.1
2014/0124218	A1 *	5/2014	Pilgrim	E21B 44/02 166/380
2014/0262526	A1 *	9/2014	Stankovic	E21B 19/00 175/57
2015/0034297	A1 *	2/2015	Tucken	E21B 19/086 166/77.1
2015/0152694	A1 *	6/2015	DeBerry	E21B 19/165 166/344
2015/0247367	A1 *	9/2015	Angelle	E21B 19/07 166/380
2016/0186510	A1 *	6/2016	Vestersjo	E21B 19/24 166/250.01
2018/0073312	A1 *	3/2018	Clostio, Jr.	E21B 19/24
2018/0100359	A1 *	4/2018	Moss	E21B 19/20
2018/0142523	A1 *	5/2018	Hackl	E21B 19/00
2018/0274305	A1 *	9/2018	Patterson	E21B 19/00
2019/0136648	A1 *	5/2019	Stoldt	E21B 19/06
2019/0136669	A1 *	5/2019	Wiedecke	E21B 44/00

(Continued)

Primary Examiner — Patricia A Palasik

(74) *Attorney, Agent, or Firm* — Hooker & Habib, P.C.

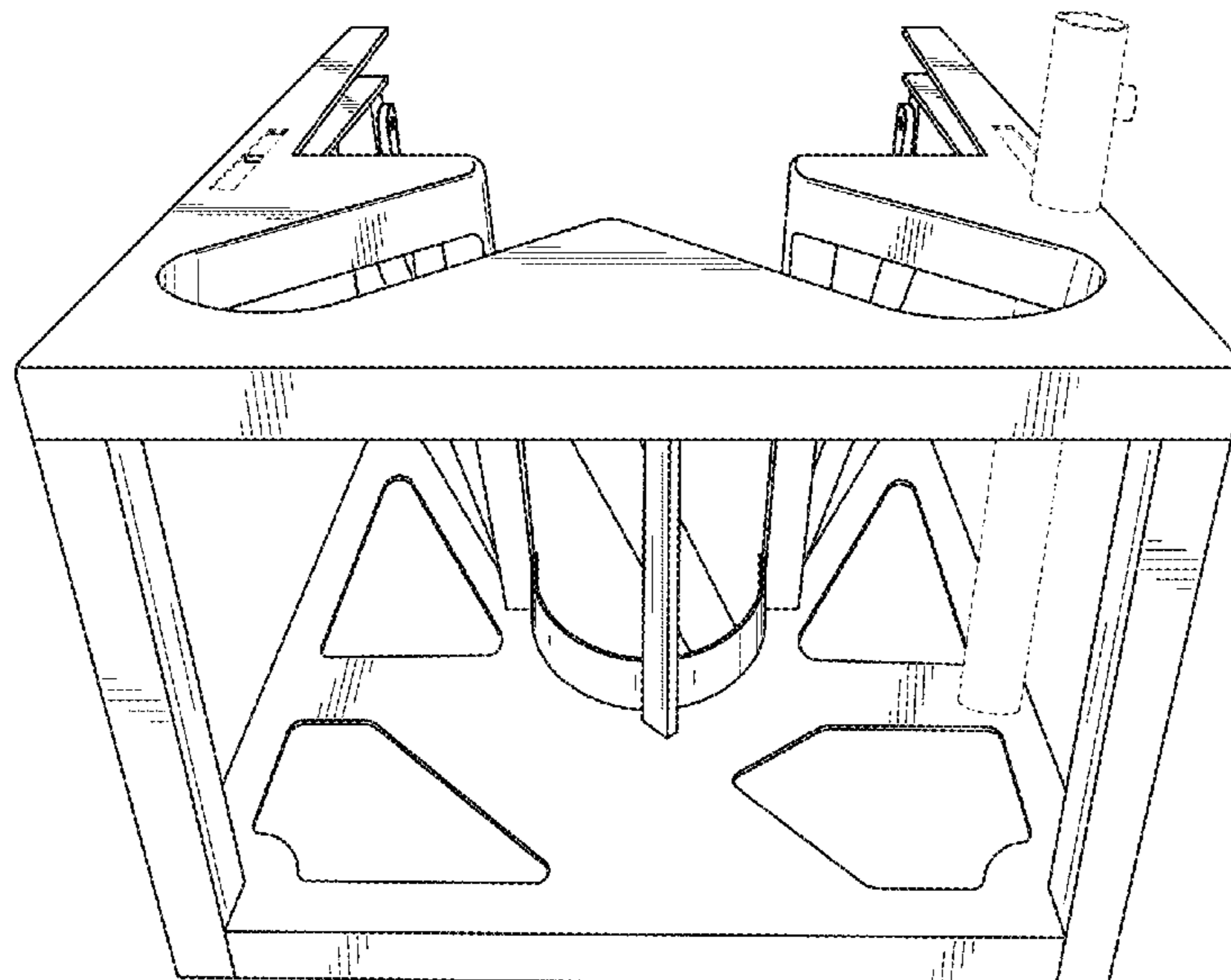
(57) **CLAIM**

The ornamental design for a frame for a well pipe installation device, as shown and described.

DESCRIPTION

FIG. 1 is a front-top perspective view of the frame for a well pipe installation device;
FIG. 2 is a rear-top perspective view thereof;
FIG. 3 a top view thereof;
FIG. 4 a front view thereof;
FIG. 5 a rear view thereof;
FIG. 6 is a side view thereof; and,
FIG. 7 is an opposed side view thereof.
The broken lines in the drawings depict portions of the frame for a well pipe installation device which form no part of the claimed design.

1 Claim, 7 Drawing Sheets



(56)

References Cited

U.S. PATENT DOCUMENTS

2019/0153793 A1* 5/2019 Bouigny E21B 19/161
2019/0284885 A1* 9/2019 Soyland E21B 19/06

* cited by examiner

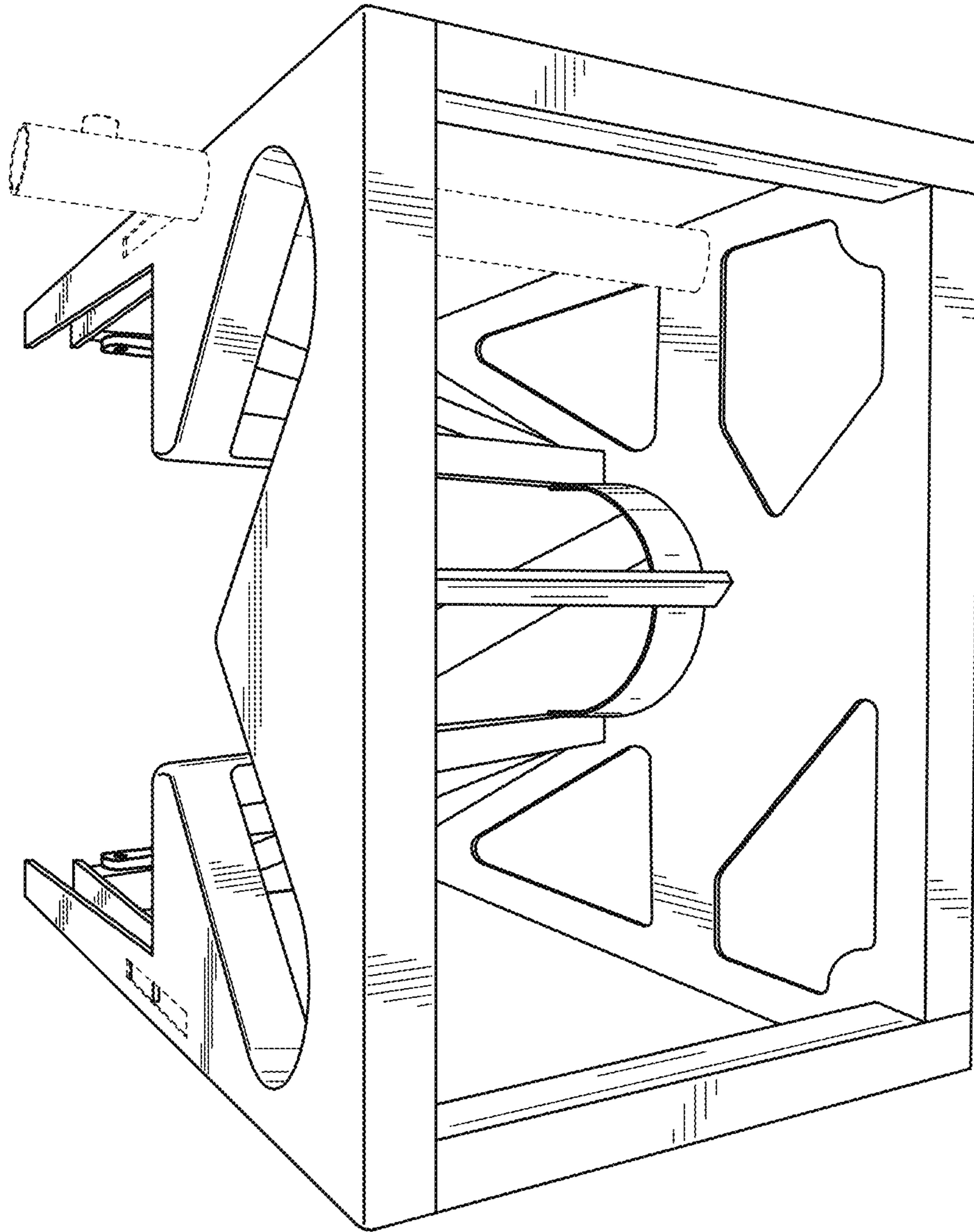


FIG. 1

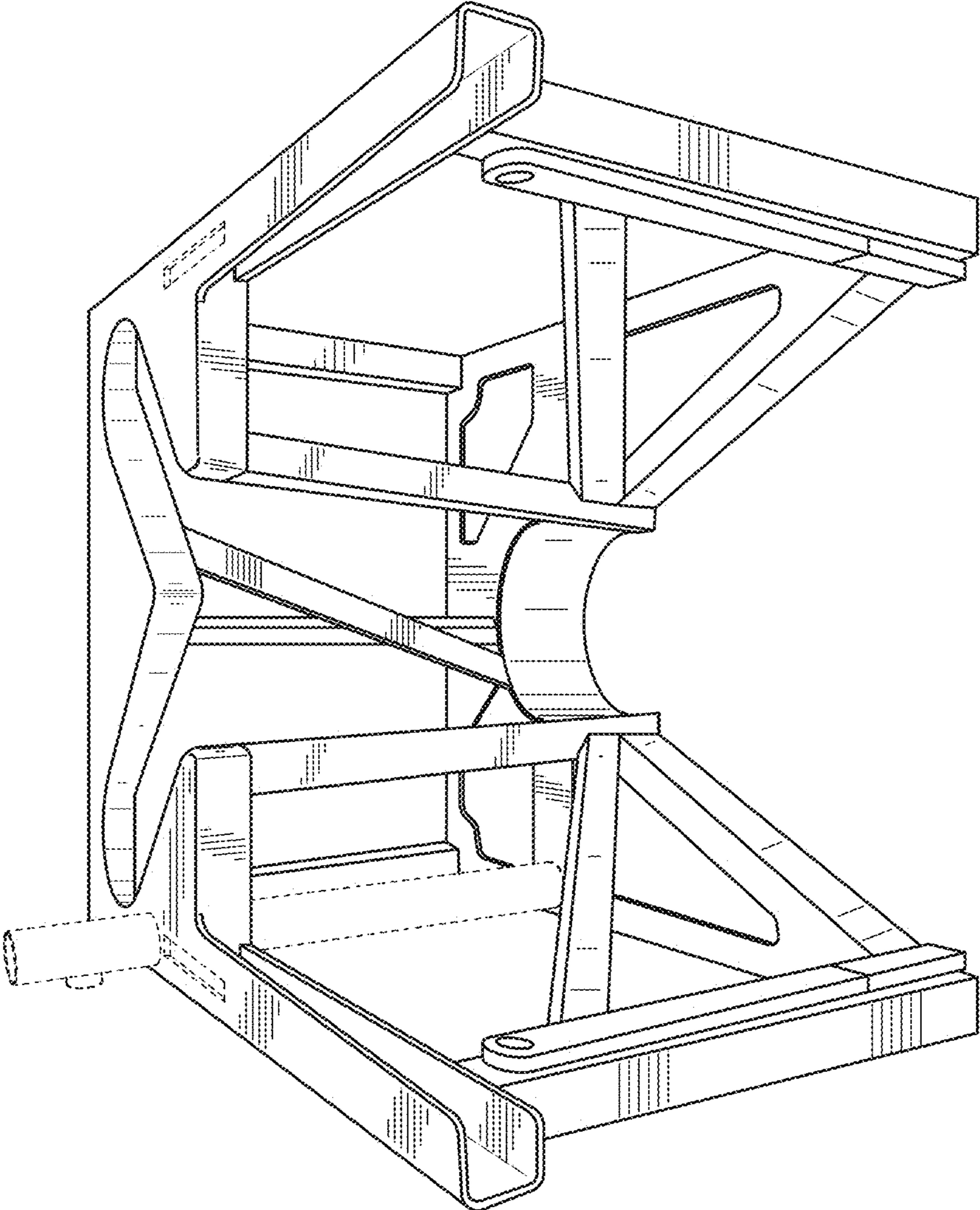


FIG. 2

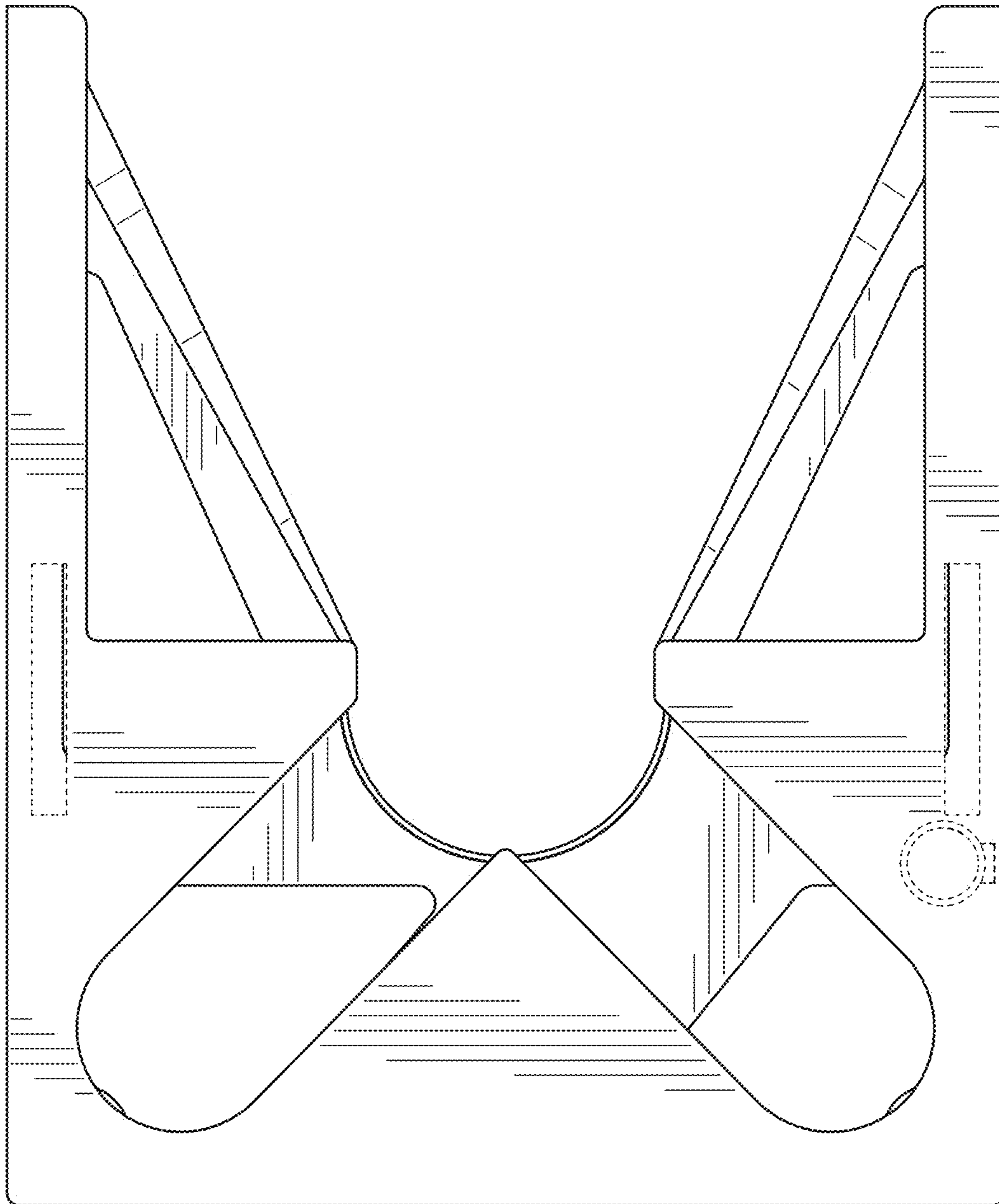


FIG. 3

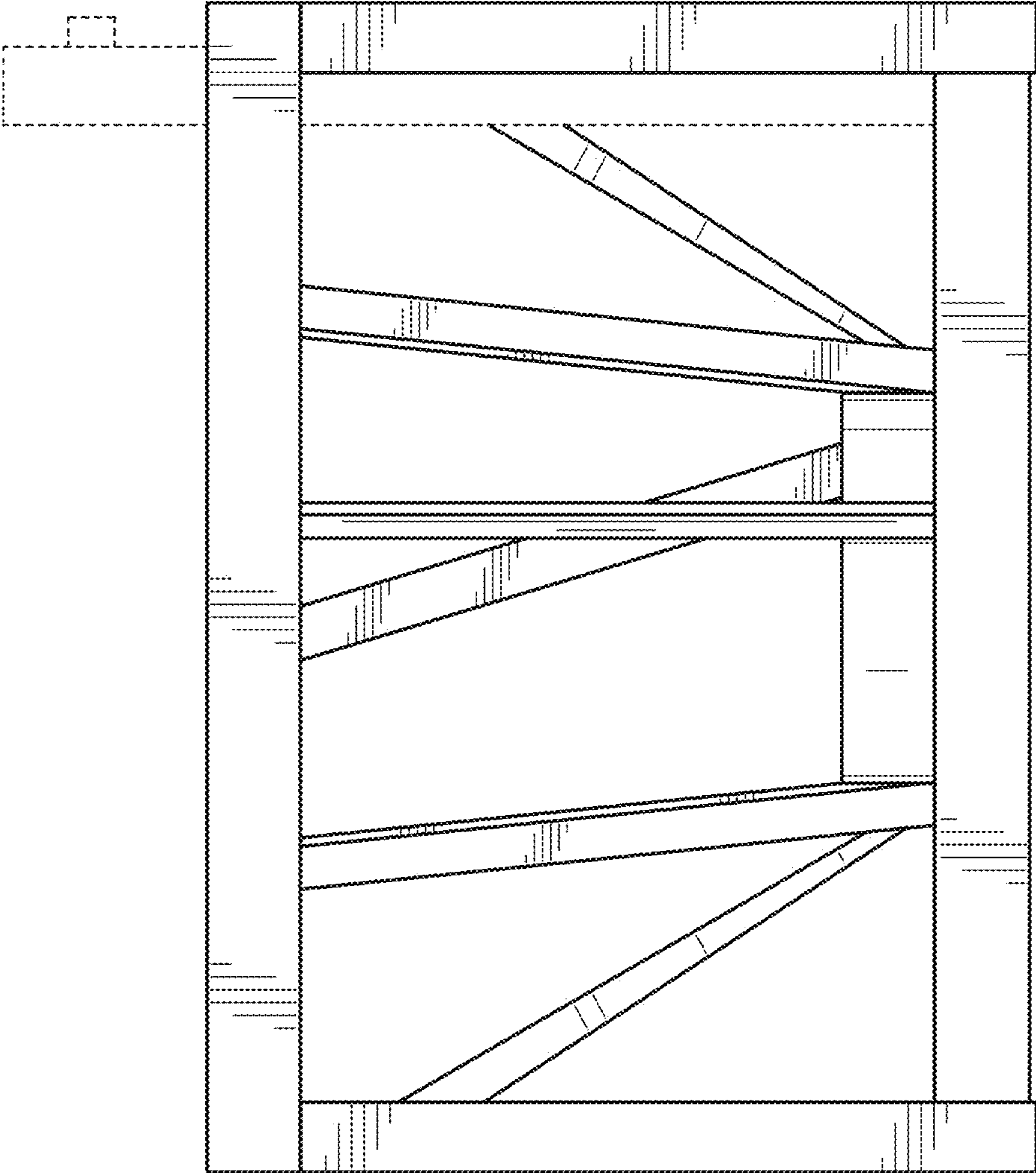


FIG. 4

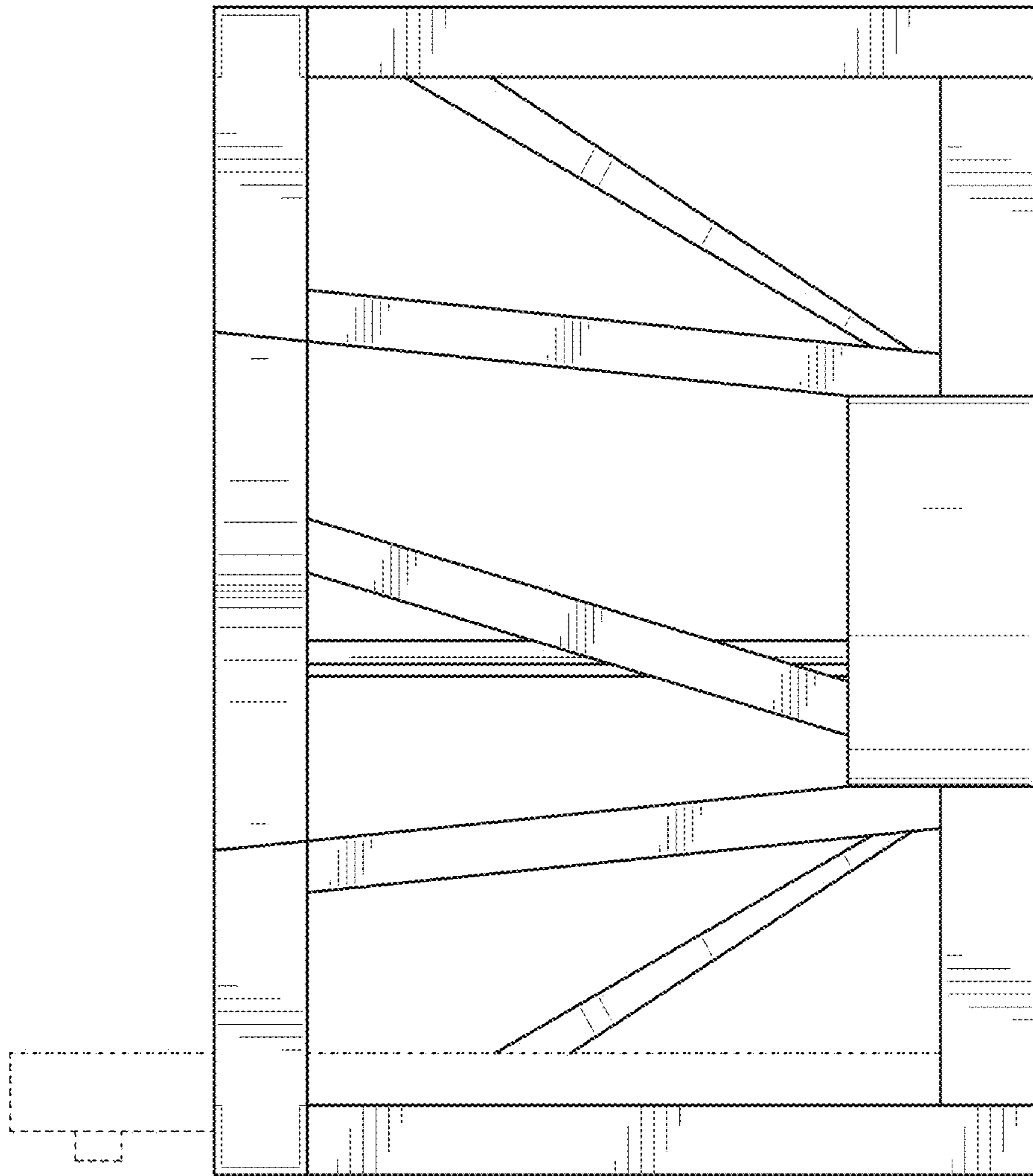


FIG. 5

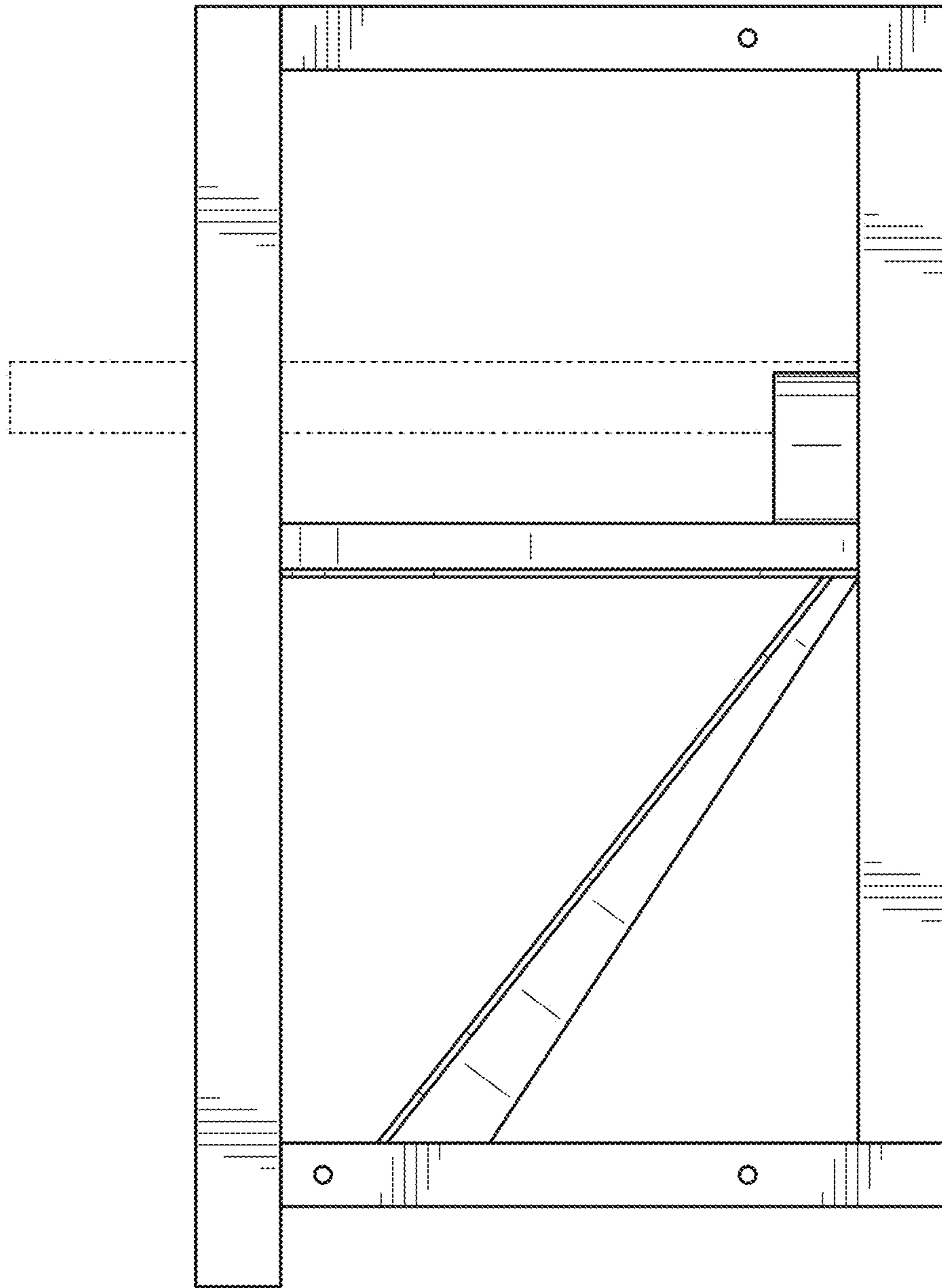


FIG. 6

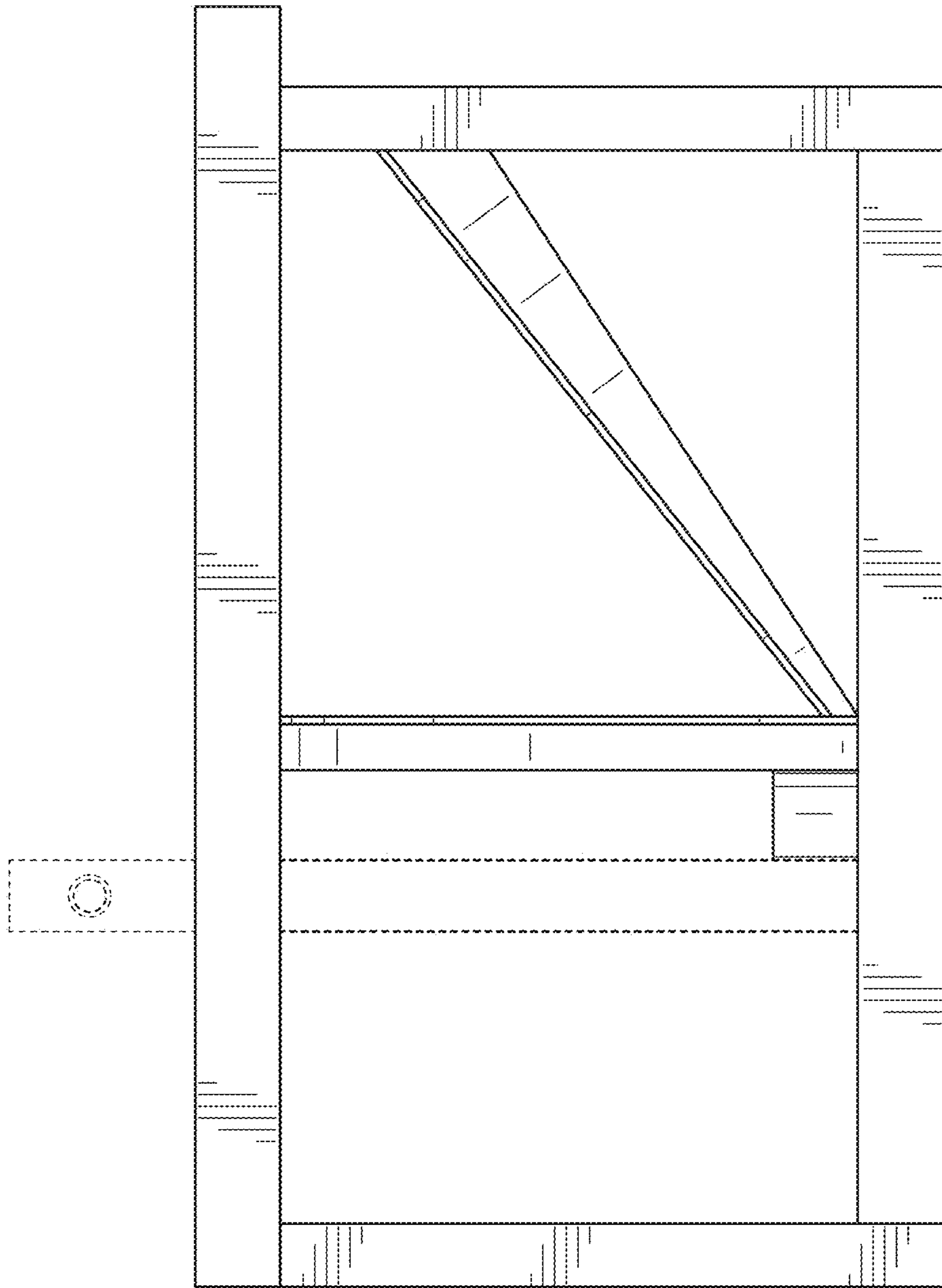


FIG. 7