



US00D877784S

(12) **United States Design Patent**  
**Iu et al.**

(10) **Patent No.:** **US D877,784 S**

(45) **Date of Patent:** **\*\* Mar. 10, 2020**

(54) **PLASMA OUTLET LINER**

(71) Applicant: **Applied Materials, Inc.**, Santa Clara, CA (US)

(72) Inventors: **Dongming Iu**, Union City, CA (US); **Yanjun Xia**, Newark, CA (US); **Kartik Shah**, Saratoga, CA (US)

(73) Assignee: **APPLIED MATERIALS, INC.**, Santa Clara, CA (US)

(\*\*) Term: **15 Years**

(21) Appl. No.: **29/651,246**

(22) Filed: **Apr. 13, 2018**

(51) **LOC (12) Cl.** ..... **15-09**

(52) **U.S. Cl.**  
USPC ..... **D15/138**

(58) **Field of Classification Search**  
USPC ..... D8/14, 29.1, 30, 70, 107; D15/138, 144, D15/144.1, 144.2; D9/415, 418, 428, D9/432, 454, 748, 749, 750, 751, 757; D10/105, 106.2, 106.5, 106.6, 106.8, D10/114.8; D13/107, 108, 110, 118, 123, D13/133, 134, 137.2, 137.3, 139, 139.1, D13/139.2, 146, 147, 148, 149, 150, 151, D13/154, 156, 158, 159, 162, 173, 179, D13/184, 199; D26/26, 85; D21/464  
CPC ..... H01J 37/32788; H01J 37/32798; H01J 37/32834; H01J 37/32623; H01J 37/32431  
See application file for complete search history.

(56) **References Cited**

**U.S. PATENT DOCUMENTS**

D733,202 S \* 6/2015 Culbertson ..... D15/138  
D738,945 S \* 9/2015 Culbertson ..... D15/138

D781,360 S \* 3/2017 Kanada ..... D15/139  
D789,429 S \* 6/2017 Chou ..... D15/139  
D796,562 S \* 9/2017 Iu ..... D15/138  
D813,277 S \* 3/2018 Terabe ..... D15/135  
D834,407 S \* 11/2018 Miller ..... D9/631  
D858,591 S \* 9/2019 Koch ..... D15/122  
D860,024 S \* 9/2019 Illouz ..... D10/106.2  
D867,654 S \* 11/2019 Berry ..... D26/142

\* cited by examiner

*Primary Examiner* — Brett Miller

*Assistant Examiner* — Fitzgerald L Butac

(74) *Attorney, Agent, or Firm* — Patterson + Sheridan LLP

(57) **CLAIM**

The ornamental design for a plasma outlet liner, as shown and described.

**DESCRIPTION**

FIG. 1 is an isometric top view of a plasma outlet liner showing our new design.  
FIG. 2 is an isometric bottom view thereof.  
FIG. 3 is a top plan view thereof.  
FIG. 4 is a side elevational view thereof, with the opposite side being a mirror image thereof;  
FIG. 5 is a bottom plan view thereof.  
FIG. 6 is an end elevational view thereof, with the other end being a mirror image thereof;  
FIG. 7 is a cross-sectional view thereof taken along lines 7-7 of FIG. 6; and,  
FIG. 8 is a cross-sectional view thereof taken along lines 8-8 of FIG. 5.

**1 Claim, 4 Drawing Sheets**

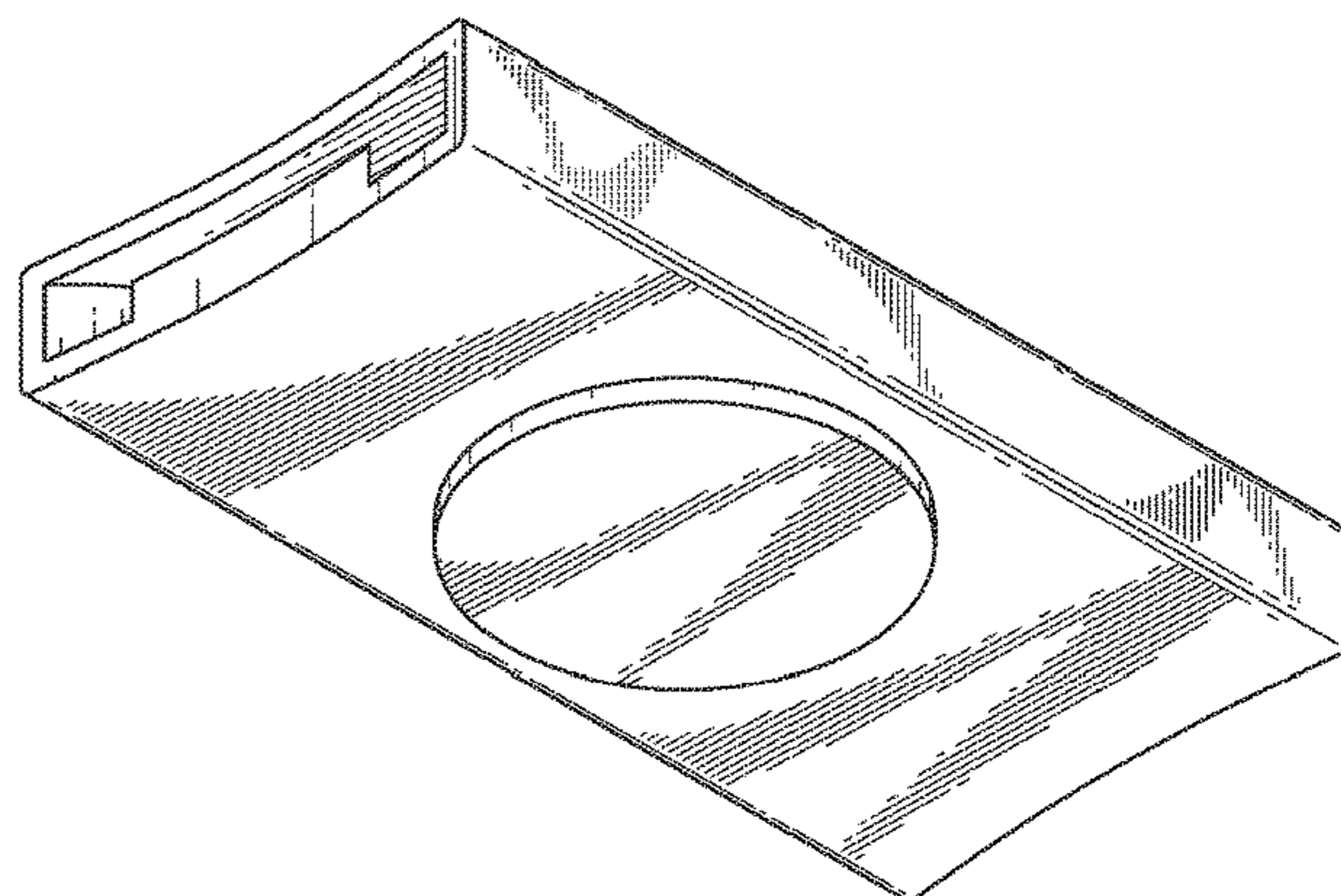
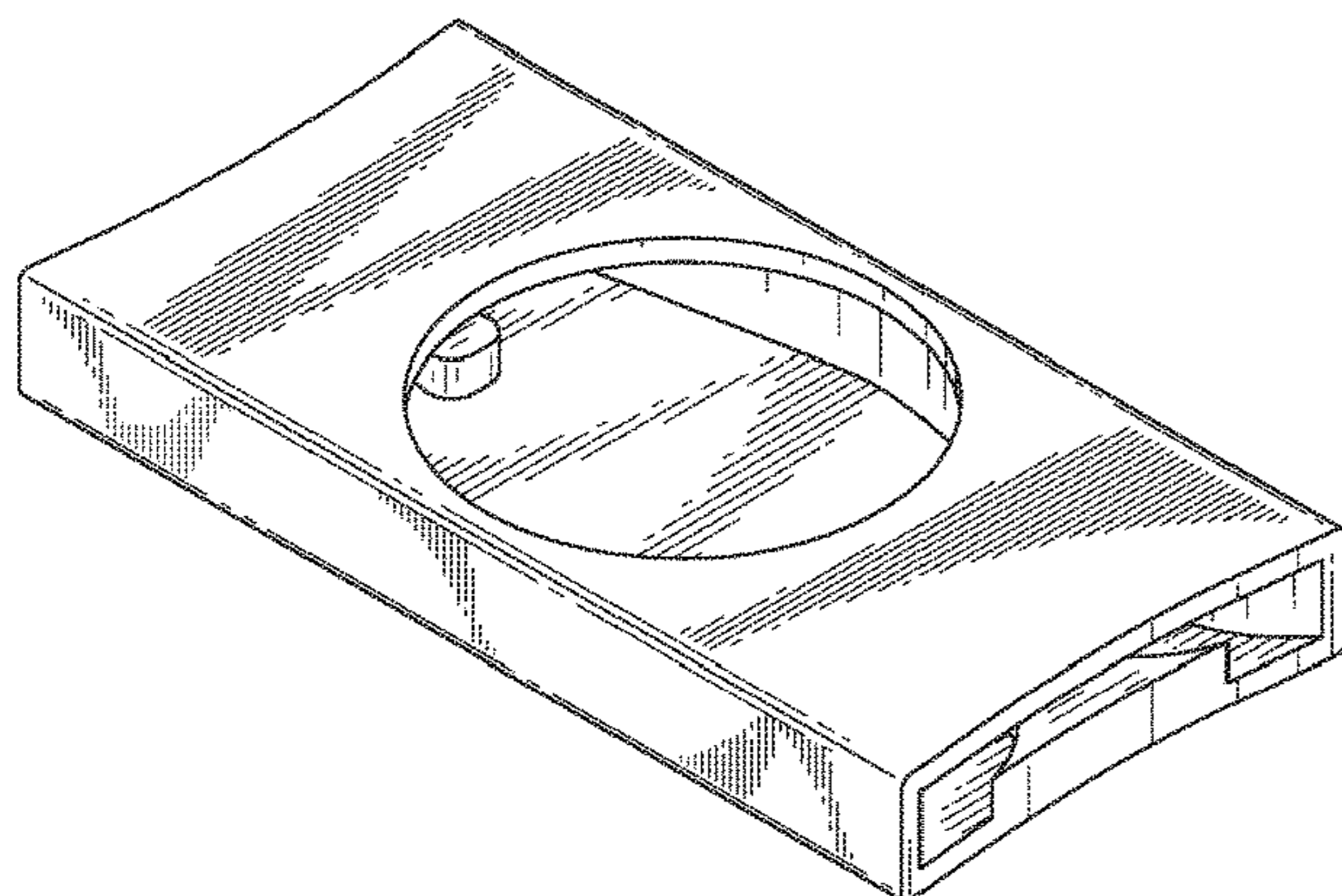


FIG. 1

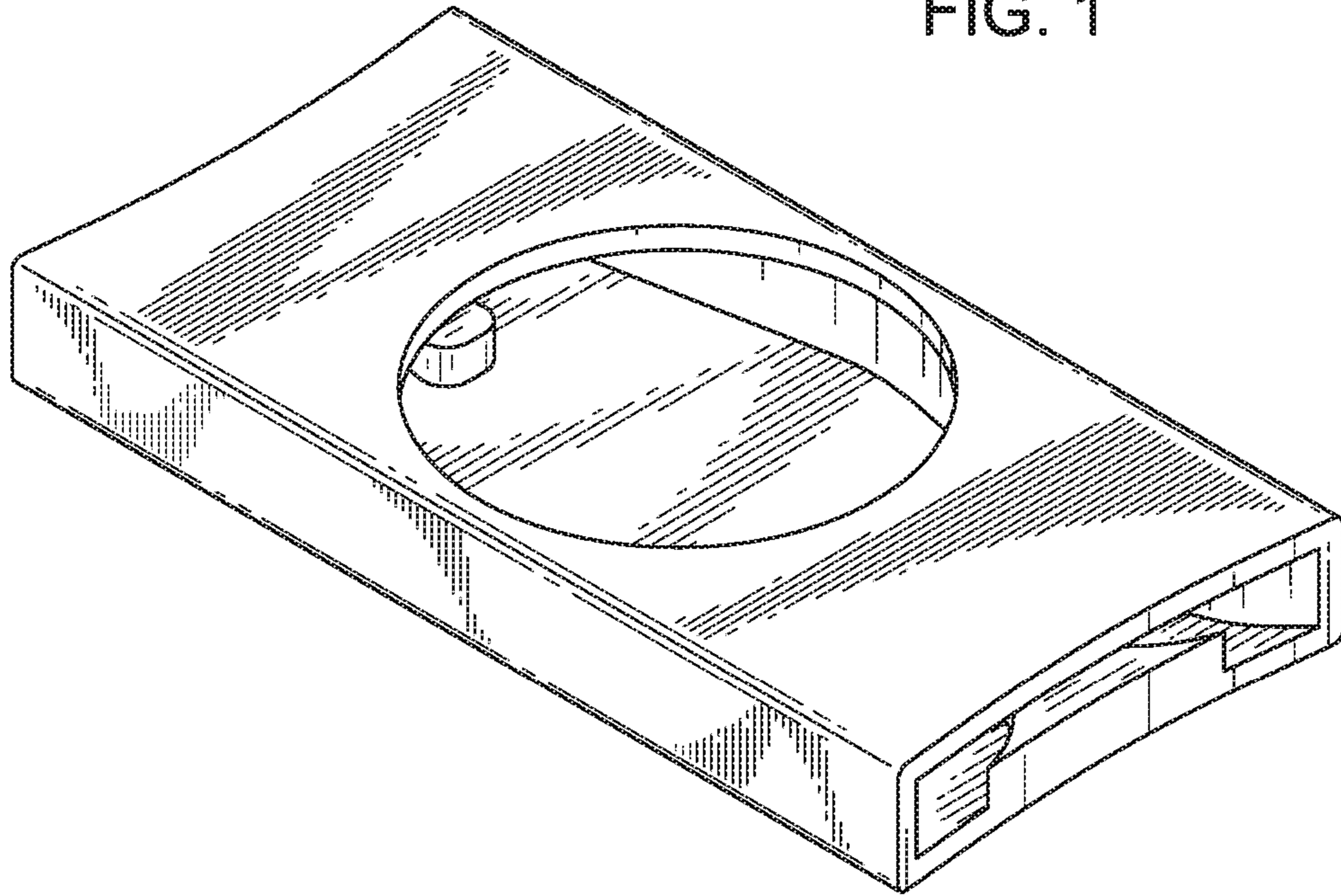


FIG. 2

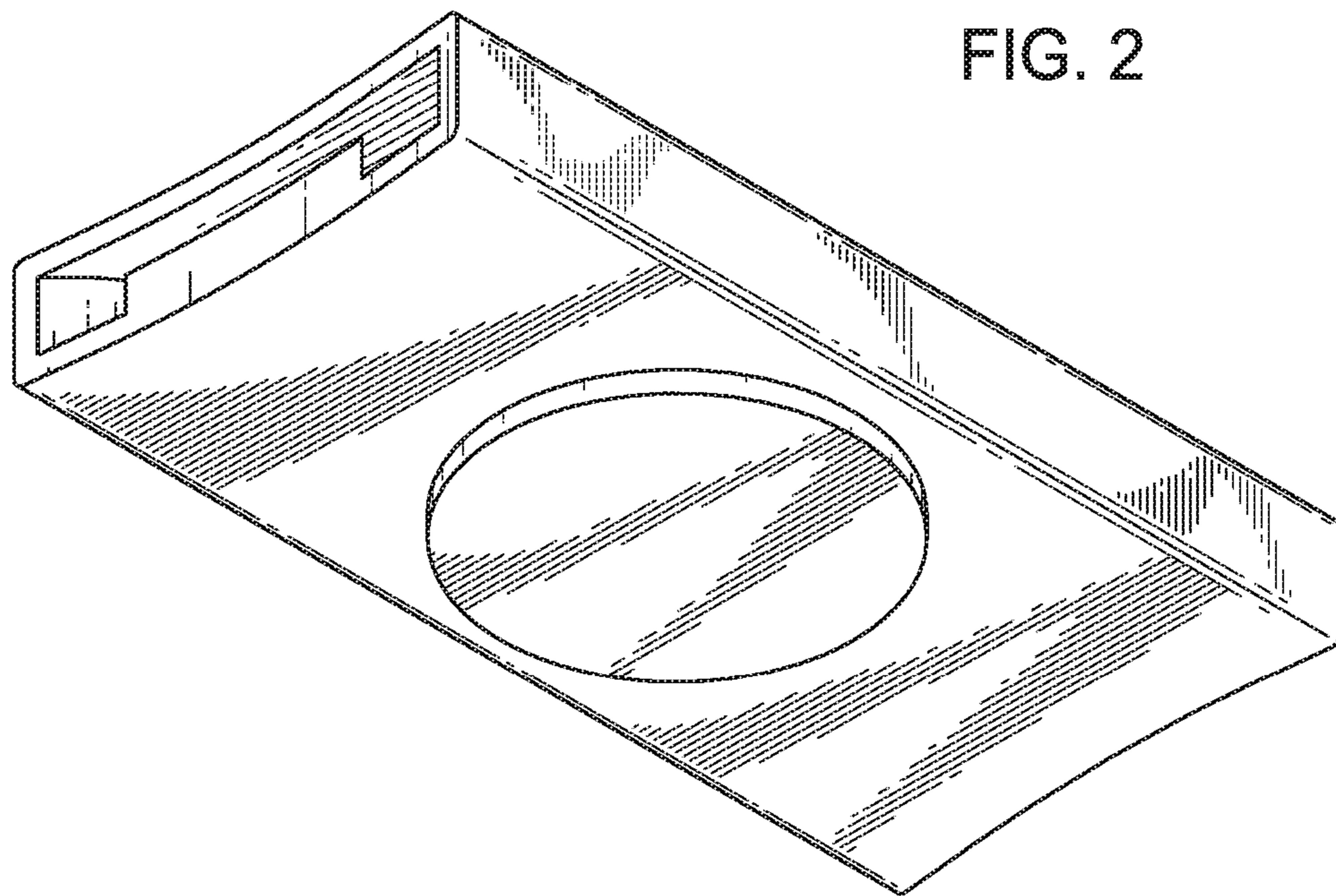


FIG. 3

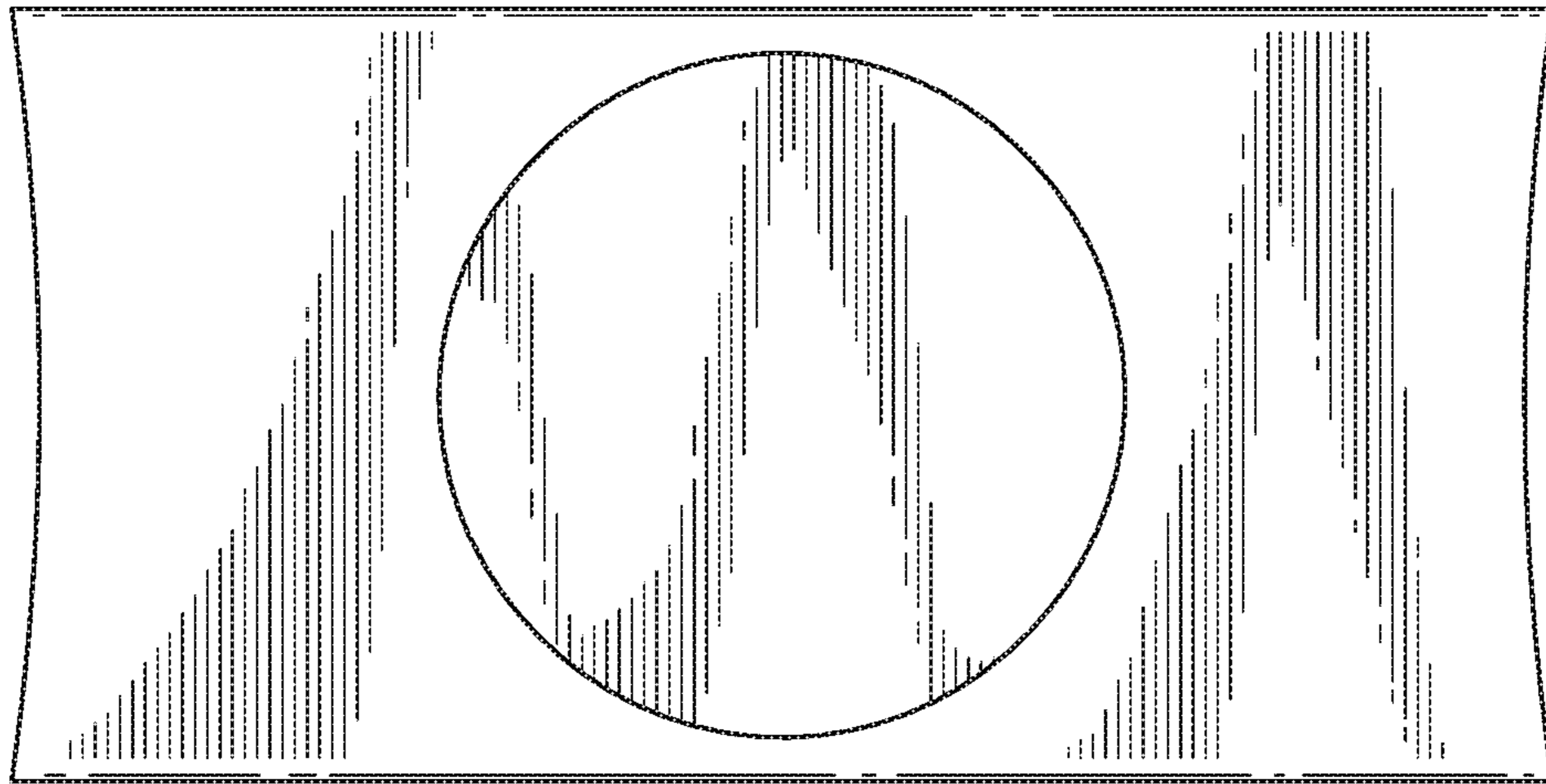


FIG. 4

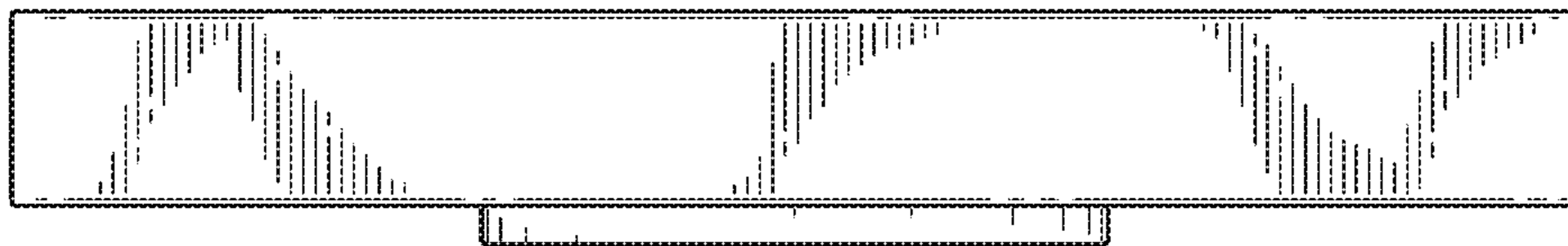


FIG. 5

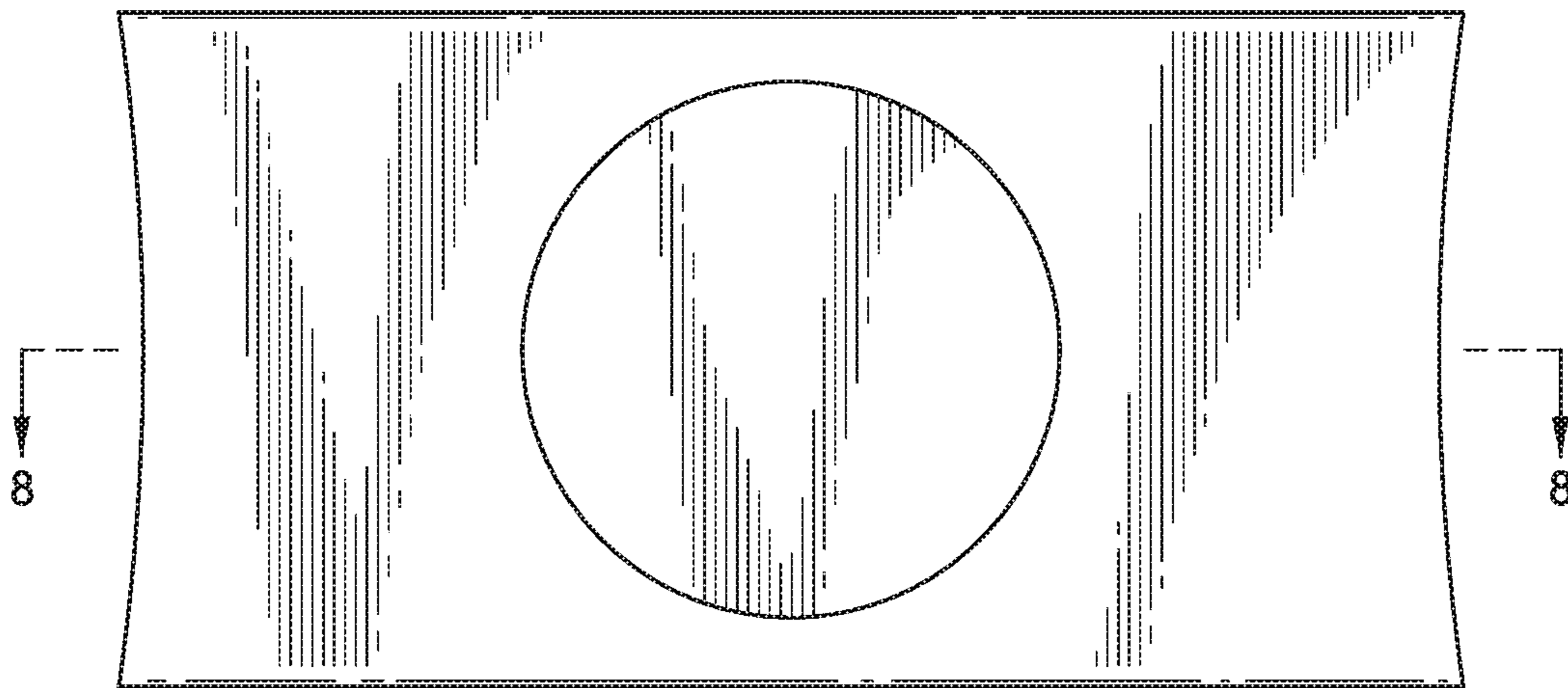


FIG. 6

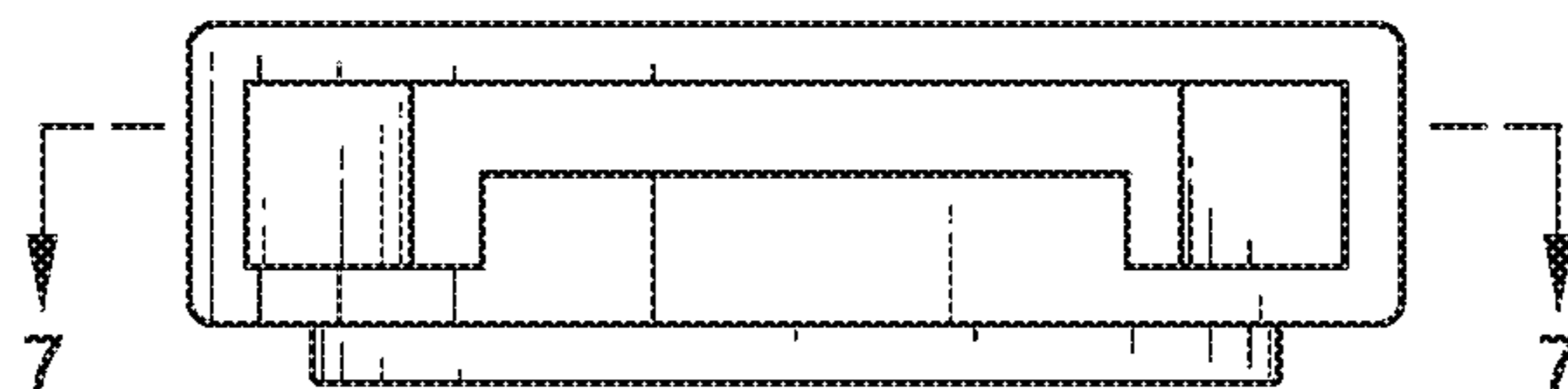


FIG. 7

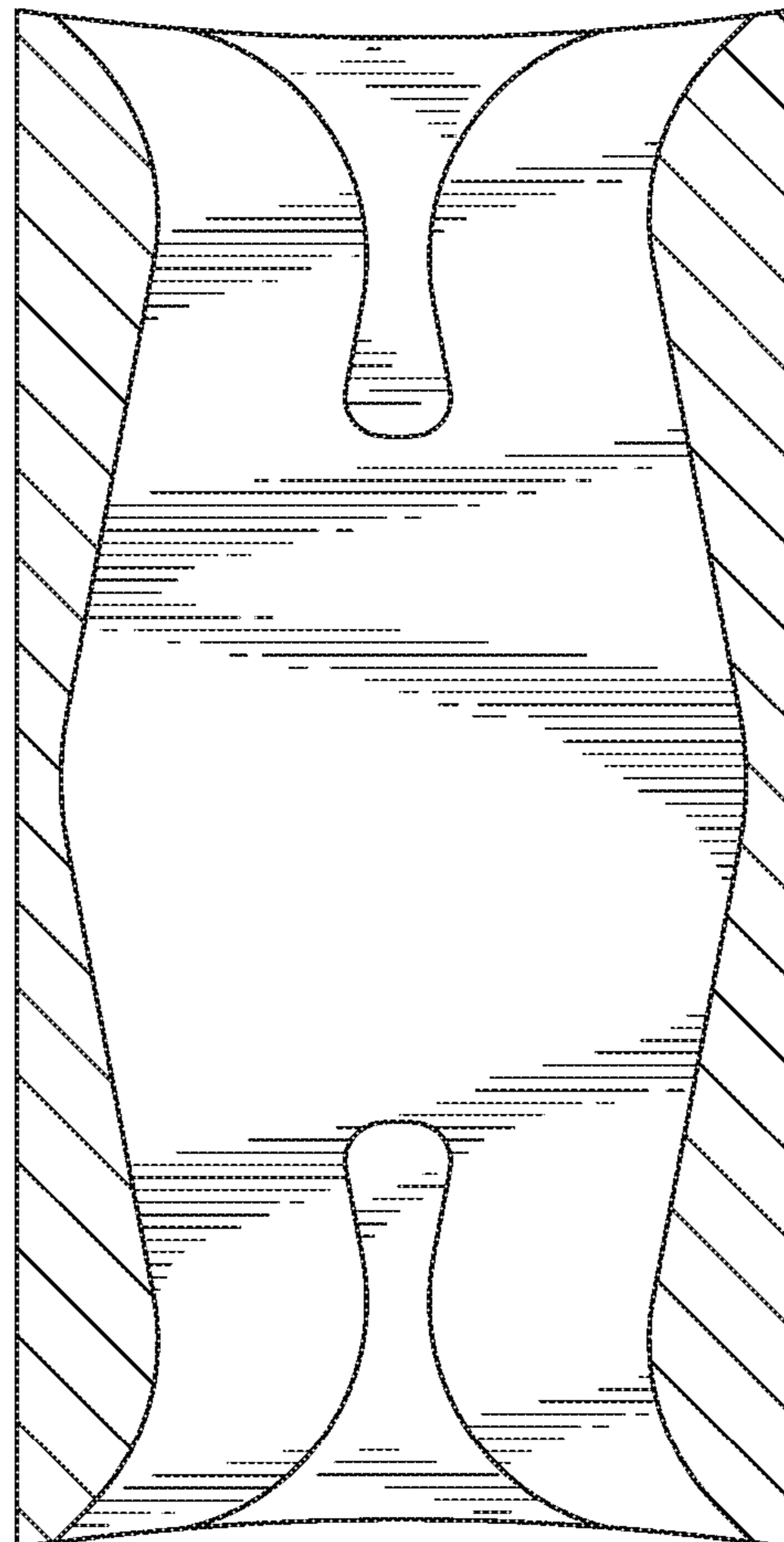


FIG. 8

