



US00D877782S

(12) **United States Design Patent** (10) **Patent No.:** **US D877,782 S**
Jilbert et al. (45) **Date of Patent:** **** Mar. 10, 2020**

(54) **CAB**

(71) Applicant: **J.C. BAMFORD EXCAVATORS LIMITED**, Uttoxeter (GB)

(72) Inventors: **Samuel John Jilbert**, Uttoxeter (GB);
Stewart Dicks, Uttoxeter (GB);
Alexander North, Uttoxeter (GB)

(73) Assignee: **J.C. BAMFORD EXCAVATORS LIMITED**, Uttoxeter, Staffordshire (GB)

(**) Term: **15 Years**

(21) Appl. No.: **29/662,650**

(22) Filed: **Sep. 7, 2018**

(30) **Foreign Application Priority Data**

Mar. 18, 2018 (EM) 004754265-0001

(51) **LOC (12) Cl.** **15-03**

(52) **U.S. Cl.**
USPC **D15/30**

(58) **Field of Classification Search**
USPC D15/10, 22-26, 28, 30; 180/89.1, 89.12,
180/89.13, 900, 9.1, 9.2, 9.62; 37/379;
414/694, 699, 722-724, 660, 685, 698,
414/719, 743
CPC E02F 3/32; E02F 3/76; E02F 3/40; E02F
3/325; E02F 3/352; E02F 3/384; E02F
3/425; E02F 3/437; E02F 3/627; E02F
3/964; E02F 9/163; E02F 9/0858; E02F
9/0875; E02F 9/2045; E02F 9/006; E02F
9/0808; E02F 9/0833; E02F 9/2004; E02F
9/207; E02F 9/2091; E02F 9/2246; E02F
9/2292

See application file for complete search history.

(56) **References Cited**

U.S. PATENT DOCUMENTS

D272,071	S	*	1/1984	Baconet	D15/30
D297,329	S	*	8/1988	Monehaie	D15/30
D304,589	S	*	11/1989	Lanphere	D15/30
D321,517	S	*	11/1991	Katoh	D15/30
5,273,340	A	*	12/1993	Nelson	B62D 33/06 296/190.03
D348,270	S	*	6/1994	Lehmann-Brendel	D15/10
5,427,185	A	*	6/1995	Seal	E02F 3/7627 172/197
D366,267	S	*	1/1996	Lepoix	D15/30
D376,604	S	*	12/1996	Johnson	D15/30
5,911,624	A	*	6/1999	Stauffer	B60H 1/00378 454/158
D446,225	S	*	8/2001	Brandenburg, III	D15/30
D453,023	S	*	1/2002	Kaneko	D15/21
D455,763	S	*	4/2002	Brandenburg, III	D15/30
D463,461	S	*	9/2002	Yanagida	D15/30
D463,462	S	*	9/2002	Yanagida	D15/30
D464,662	S	*	10/2002	Dahl	D15/33

(Continued)

Primary Examiner — Mark A Goodwin

(74) *Attorney, Agent, or Firm* — Marshall, Gerstein & Borun LLP

(57) **CLAIM**

The ornamental design for a cab, as shown and described.

DESCRIPTION

FIG. 1 is a front, right-side, and top view of a cab, showing the new design.

FIG. 2 is a top plan view of the cab.

FIG. 3 is a right-side elevation view of the cab.

FIG. 4 is a front elevation view of the cab.

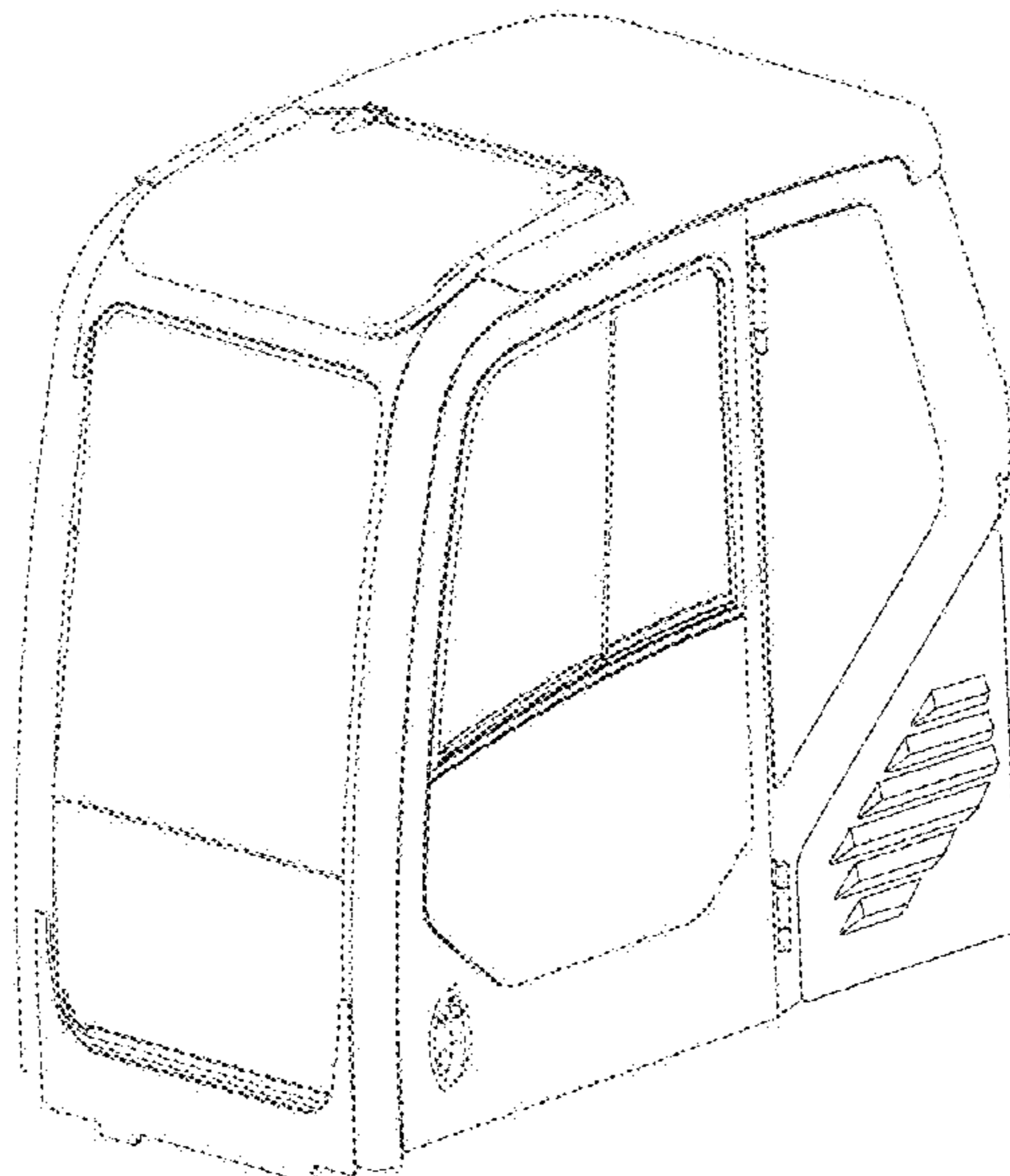
FIG. 5 is a rear elevation view of the cab.

FIG. 6 is a left-side elevation view of the cab; and,

FIG. 7 is a bottom plan view of the cab.

The broken lines depict elements of the cab that do not form part of the claimed design.

1 Claim, 4 Drawing Sheets



(56)

References Cited

U.S. PATENT DOCUMENTS

D479,536 S * 9/2003 Dahl D15/30
 D481,044 S * 10/2003 Tokach D15/30
 D497,920 S * 11/2004 Antonetti D15/30
 D531,646 S * 11/2006 McCarren, Jr. D15/30
 D533,569 S * 12/2006 Mursch D15/28
 D534,927 S * 1/2007 Mursch D15/28
 D541,826 S * 5/2007 Brush D15/30
 D549,245 S * 8/2007 Antonetti D15/30
 D594,480 S * 6/2009 Gicquel D15/30
 D614,674 S * 4/2010 Hobenshield D15/30
 D625,741 S * 10/2010 Seidel D15/30
 D636,795 S * 4/2011 Yamamoto D15/28
 D637,630 S * 5/2011 Yamamoto D15/30
 D642,205 S * 7/2011 Yamamoto D15/30
 D653,173 S * 1/2012 Dolesh D12/96
 D654,400 S * 2/2012 Dolesh D12/96
 D660,881 S * 5/2012 Bohme D15/30
 D668,693 S * 10/2012 Ringer D15/30

D671,566 S * 11/2012 Fang D15/30
 D684,607 S * 6/2013 Hagura D15/30
 D687,868 S * 8/2013 Watson D15/30
 D691,924 S * 10/2013 Smith D12/96
 D707,728 S * 6/2014 Imashige D15/30
 D714,837 S * 10/2014 Jacobsthal D15/30
 D720,370 S * 12/2014 Carter D15/30
 D749,649 S * 2/2016 McAdam D15/30
 D751,123 S * 3/2016 Kazakoff D15/30
 D762,248 S * 7/2016 Steinhardt D15/30
 D773,537 S * 12/2016 Fiser D15/30
 D774,111 S * 12/2016 Underhill D15/30
 D774,112 S * 12/2016 Fiser D15/30
 D775,244 S * 12/2016 Hart D15/30
 D780,231 S * 2/2017 Saari D15/30
 D780,232 S * 2/2017 Saari D15/30
 D780,235 S * 2/2017 Kim D15/30
 D784,425 S * 4/2017 Cooksey D15/30
 D835,160 S * 12/2018 Jilbert D15/25
 D849,062 S * 5/2019 Jilbert D15/25

* cited by examiner

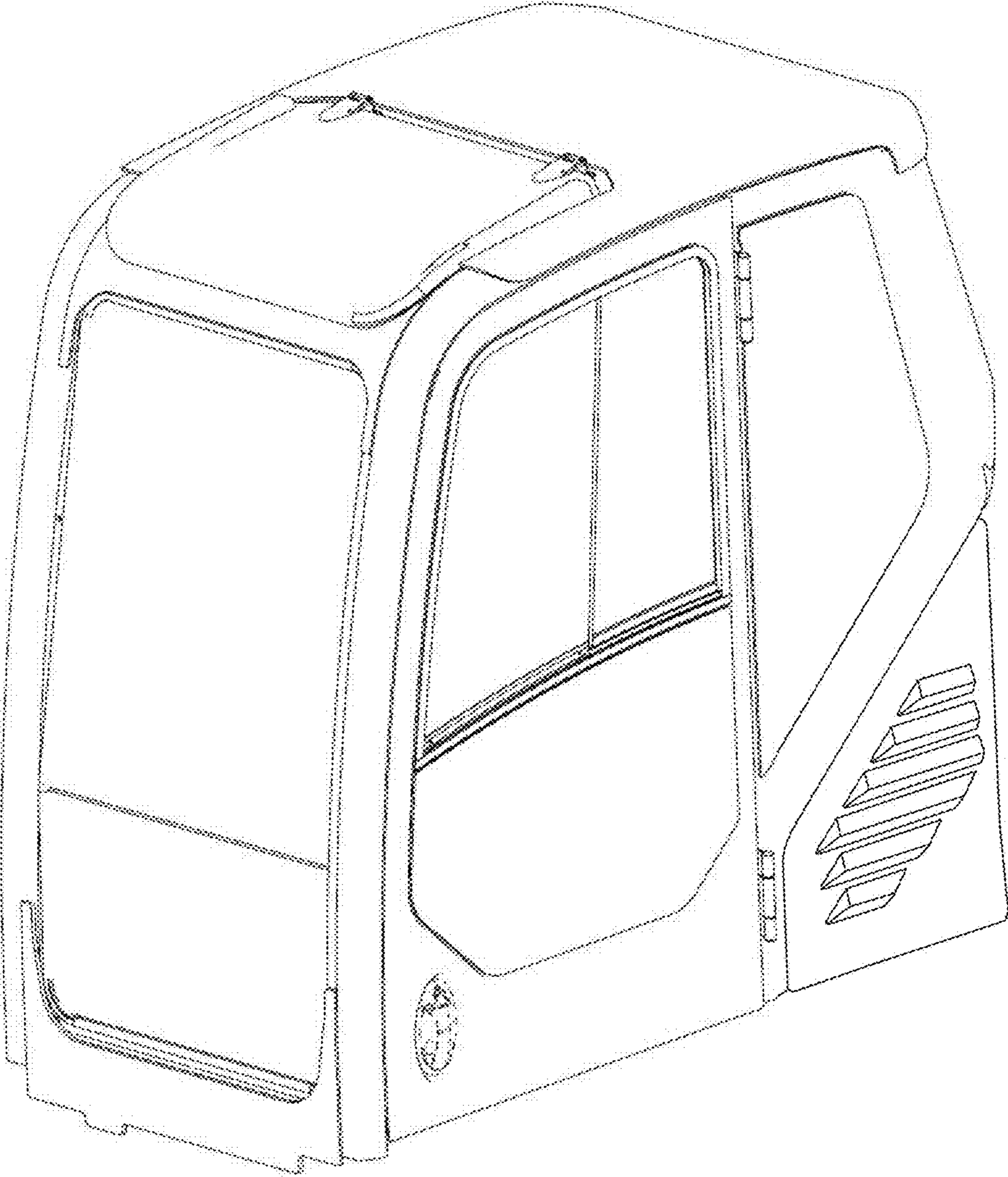


Fig. 1

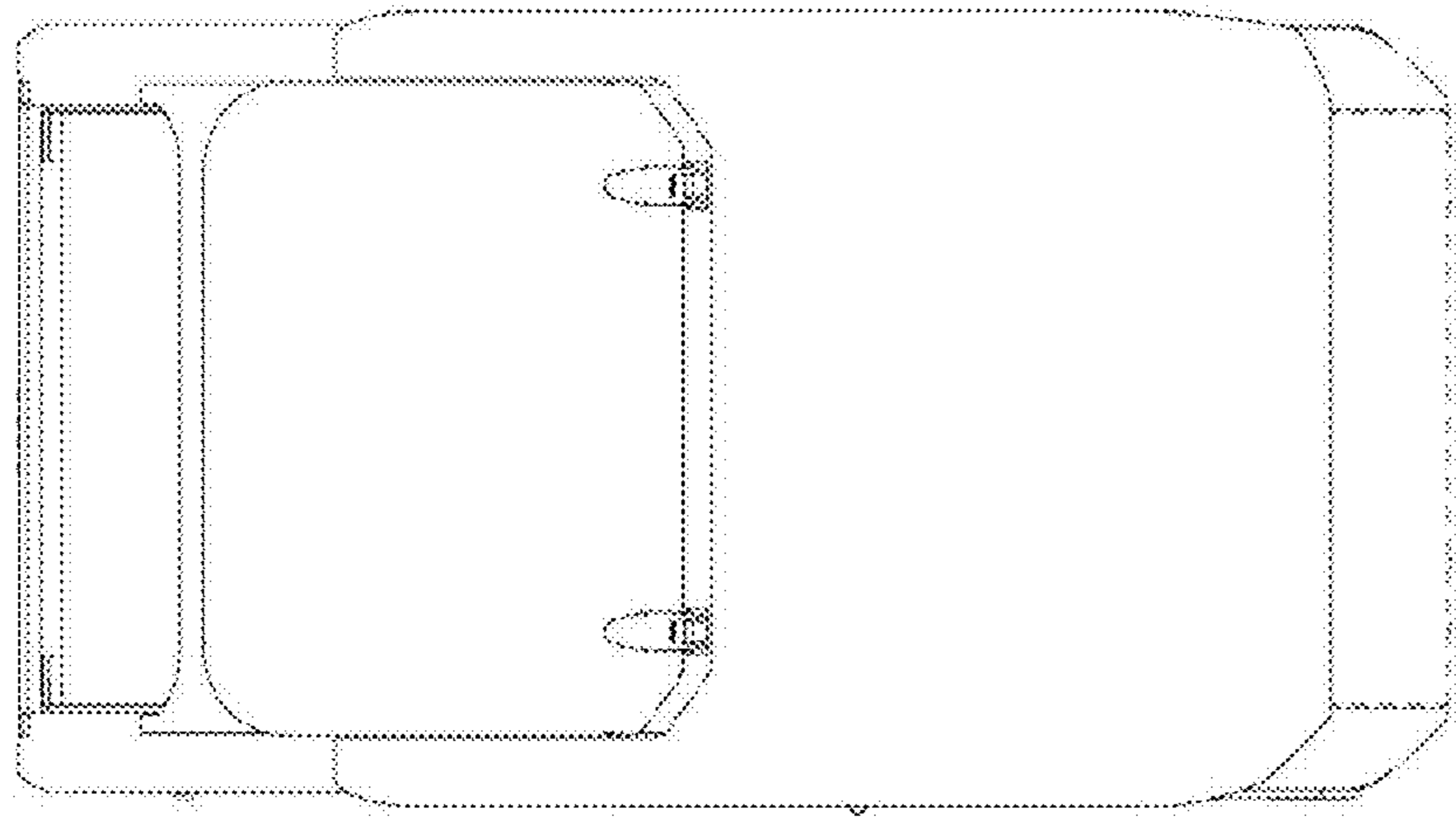


Fig. 2

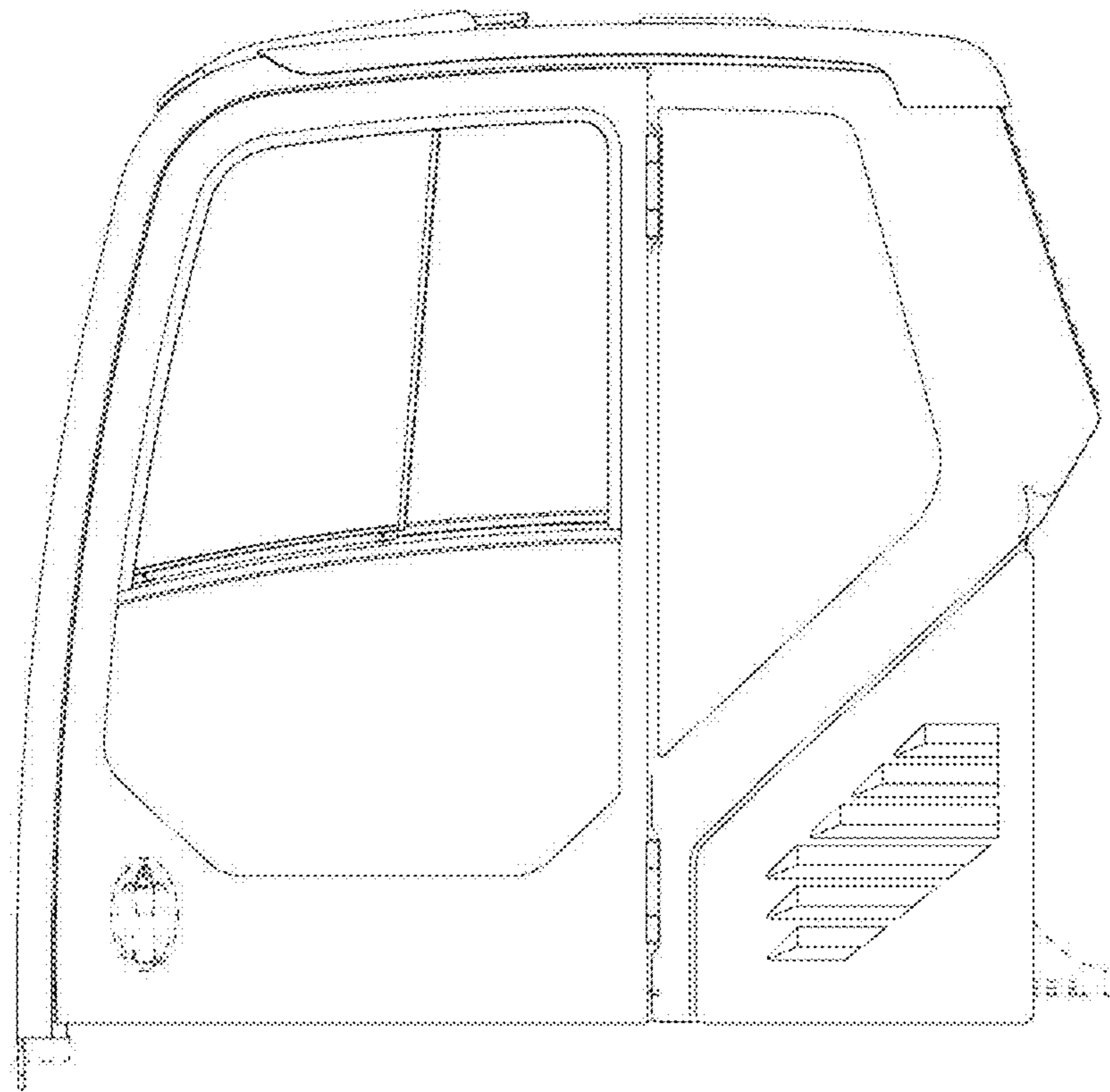


Fig. 3

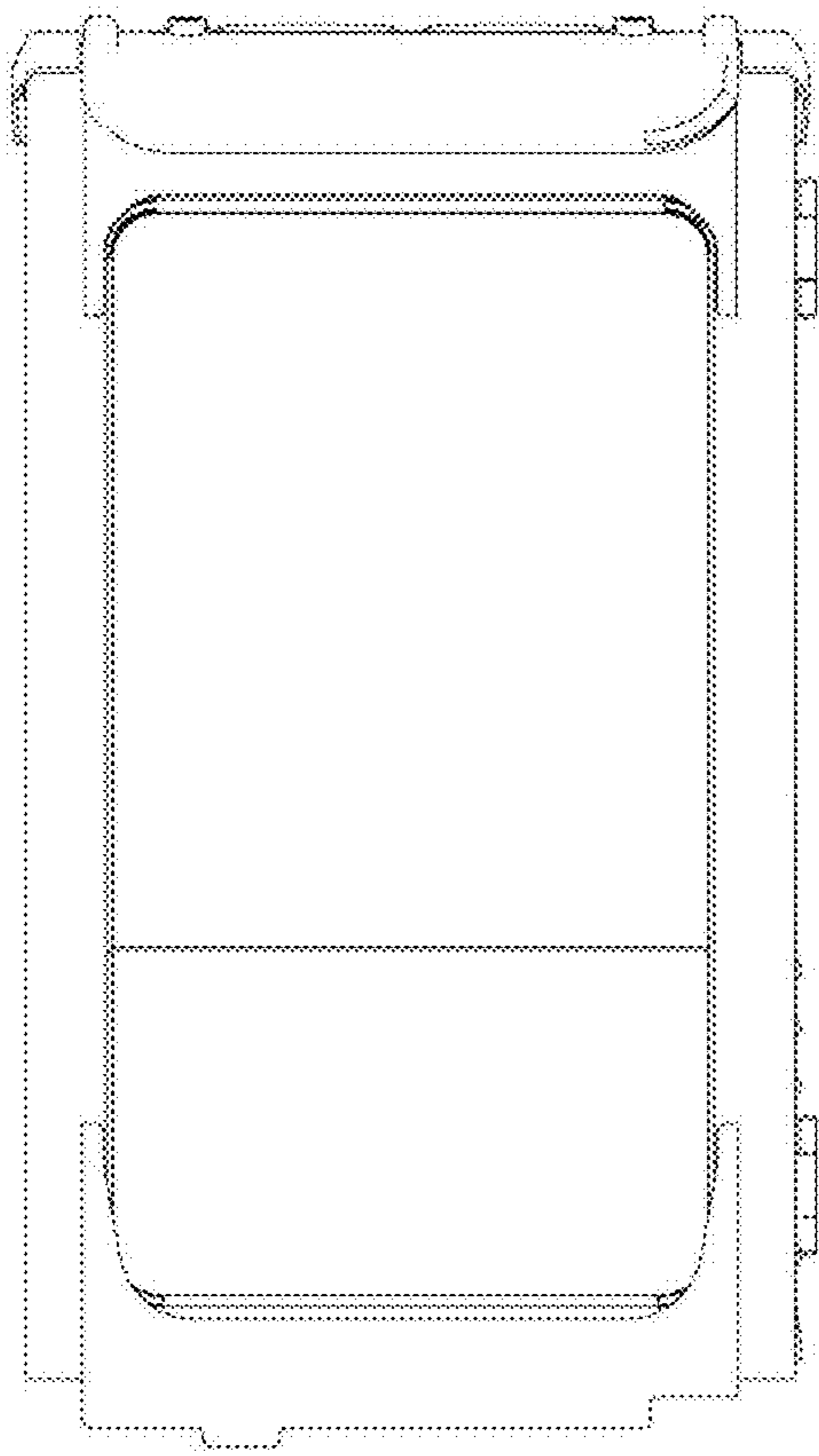


Fig. 4

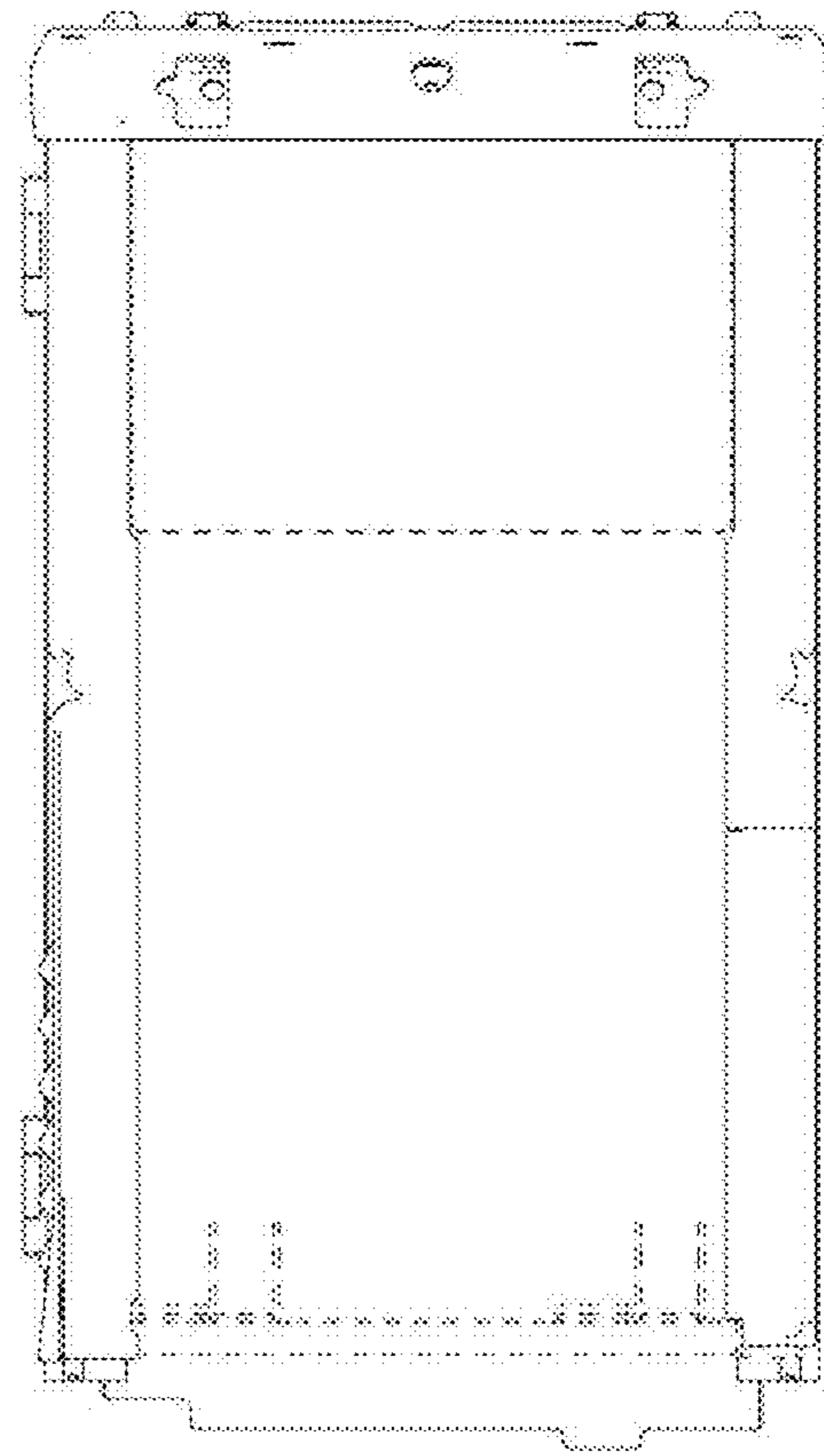


Fig. 5

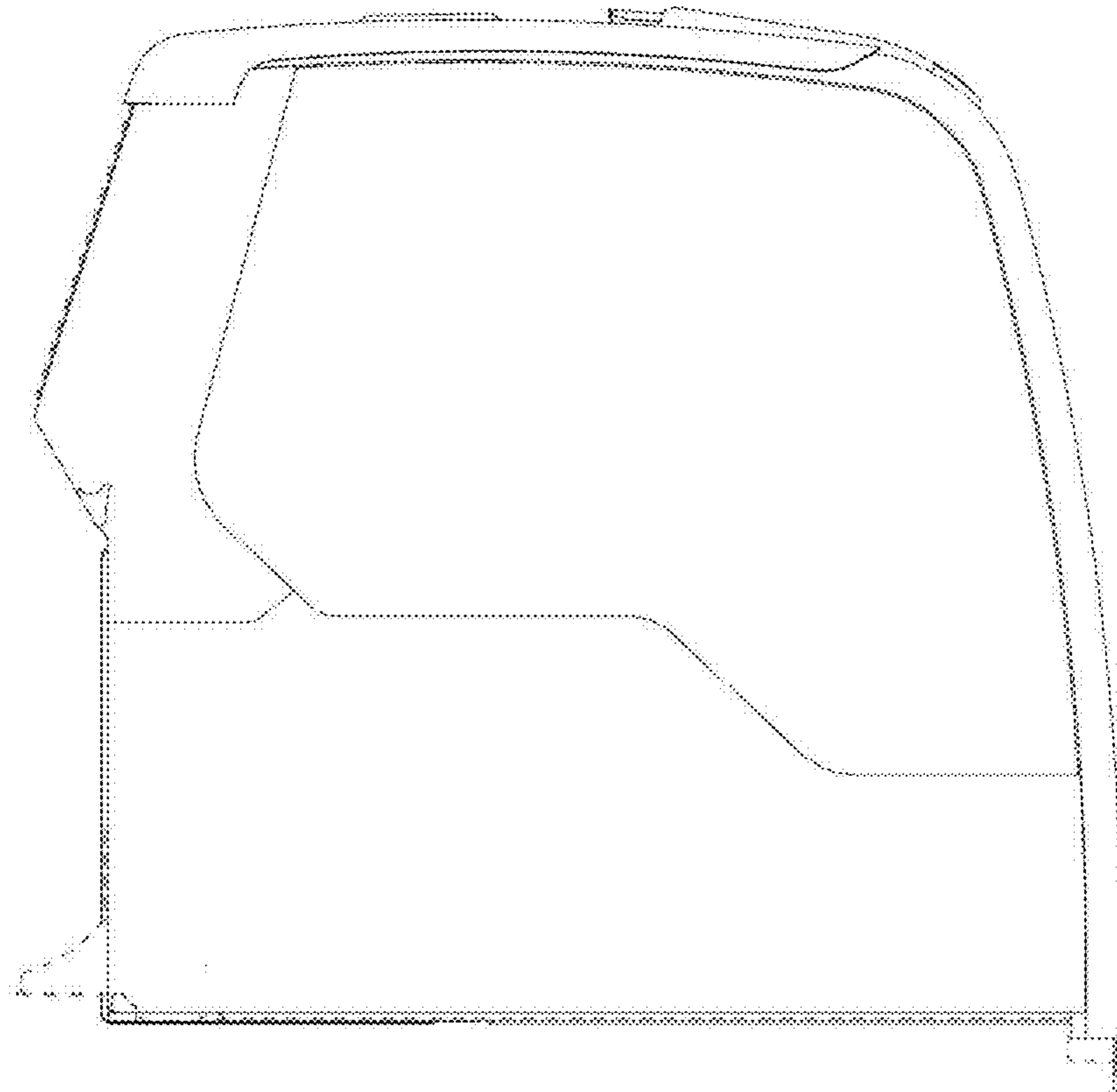


Fig. 6

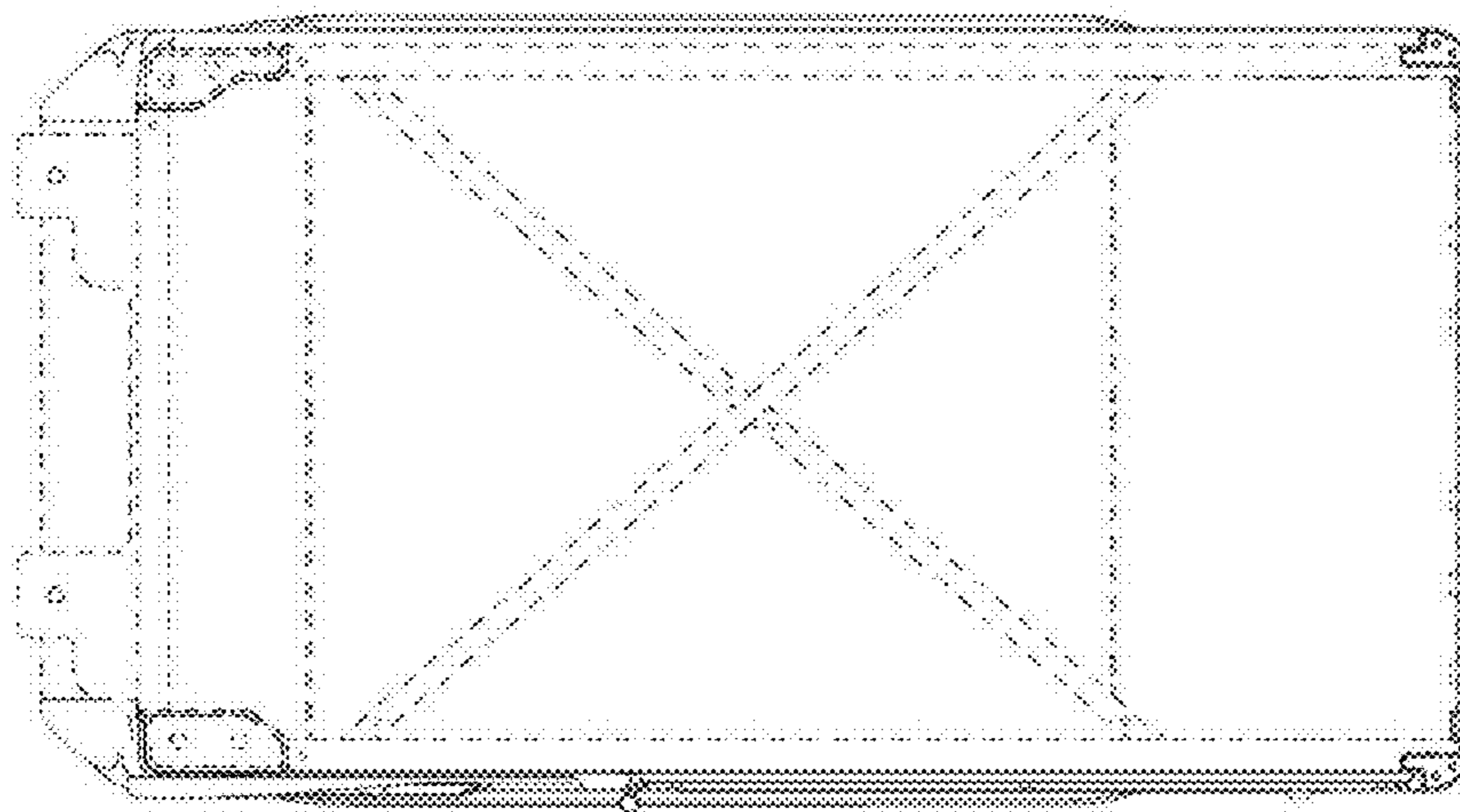


Fig. 7