



US00D877780S

(12) **United States Design Patent**
Spatz et al.

(10) **Patent No.:** **US D877,780 S**
(45) **Date of Patent:** **** Mar. 10, 2020**

(54) **DIRECTIONAL DRILLING ASSEMBLY**

4,485,879 A 12/1984 Kamp et al.
4,638,873 A * 1/1987 Welborn E21B 17/1014
175/325.2

(71) Applicants: **Edward C. Spatz**, San Marcos, TX
(US); **Michael R. Reese**, Houston, TX
(US); **David P. Miess**, Spring, TX
(US); **Gregory Prevost**, Spring, TX
(US)

4,729,438 A 3/1988 Walker et al.
4,848,490 A 7/1989 Anderson
4,984,633 A * 1/1991 Langer E21B 17/1078
166/173
5,050,692 A * 9/1991 Beimgraben E21B 7/067
175/256
5,065,826 A * 11/1991 Kruger E21B 7/068
175/107

(72) Inventors: **Edward C. Spatz**, San Marcos, TX
(US); **Michael R. Reese**, Houston, TX
(US); **David P. Miess**, Spring, TX
(US); **Gregory Prevost**, Spring, TX
(US)

(Continued)

OTHER PUBLICATIONS

(73) Assignee: **XR Lateral, LLC**, Houston, TX (US)

Baker Hughs Incorporated; "Navi-Drill Motor Handbook"; revised
Jan. 2017 [206 pages].

(**) Term: **15 Years**

(Continued)

(21) Appl. No.: **29/616,776**

Primary Examiner — Mark A Goodwin

(22) Filed: **Sep. 8, 2017**

(74) *Attorney, Agent, or Firm* — Michael S. McCoy;
Amatong McCoy LLC

(51) **LOC (12) Cl.** **15-03**

(52) **U.S. Cl.**

USPC **D15/21**; D15/139

(58) **Field of Classification Search**

USPC D15/21, 138, 139; 175/74, 76, 374, 73
CPC E21B 7/06; E21B 7/04; E21B 7/08; E21B
7/28; E21B 7/064; E21B 4/00; E21B
6/02; E21B 10/26; E21B 10/46; E21B
10/28; E21B 10/006; E21B 10/14; E21B
10/43; E21B 10/16; E21B 10/567; E21B
17/10; E21B 17/22; E21B 37/00

See application file for complete search history.

(57) **CLAIM**

The ornamental design for a directional drilling assembly, as
shown and described.

DESCRIPTION

FIG. 1 is a front elevation view of a directional drilling
assembly showing our new design;
FIG. 2 is a left side elevation view thereof;
FIG. 3 is a right side elevation view thereof;
FIG. 4 is a rear elevation view thereof;
FIG. 5 is a cross-sectional view thereof taken along line 5-5
in FIG. 1; and,
FIG. 6 is a cross-sectional view thereof taken along line 6-6
in FIG. 1.

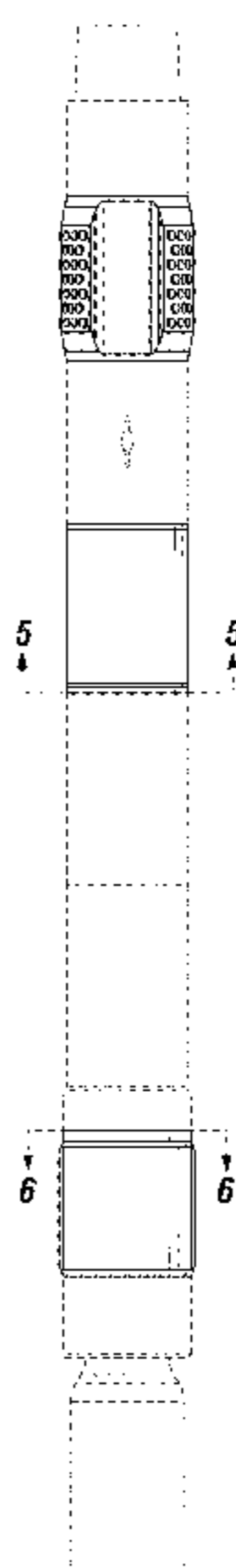
The broken lines in the drawings illustrate portions of the
directional drilling assembly that form no part of the claimed
design.

(56) **References Cited**

U.S. PATENT DOCUMENTS

2,919,897 A 1/1960 Sims
3,306,378 A * 2/1967 Williams, Jr. E21B 17/1078
175/325.2
3,561,549 A 2/1971 Garrison et al.
4,465,147 A 8/1984 Feenstra et al.

1 Claim, 1 Drawing Sheet



(56)

References Cited

U.S. PATENT DOCUMENTS

5,423,389 A * 6/1995 Warren E21B 7/04
175/75
5,836,406 A * 11/1998 Schuh E21B 7/062
175/61
6,073,707 A 6/2000 Noe et al.
6,695,080 B2 * 2/2004 Presley E21B 10/16
175/391
6,722,453 B1 4/2004 Crooks
D547,778 S * 7/2007 Hodges D15/139
7,650,952 B2 * 1/2010 Evans E21B 17/1078
175/61
8,162,081 B2 4/2012 Ballard et al.
8,336,645 B2 * 12/2012 Robson E21B 17/10
166/241.6
8,381,843 B1 * 2/2013 Lamontagne E21B 10/26
175/266
D710,174 S 8/2014 Moss
D710,175 S 8/2014 Moss et al.
D710,176 S 8/2014 Santamarina
D713,706 S 9/2014 Jing et al.
D717,626 S 11/2014 Dickrede
D731,277 S 6/2015 Manwaring et al.
D732,364 S 6/2015 Rinaldis et al.
9,151,119 B1 * 10/2015 Smith E21B 10/26
9,163,460 B2 10/2015 Isenhour et al.
D786,645 S 5/2017 Svendsen et al.
D793,831 S 8/2017 Russell et al.
D793,832 S 8/2017 Russell et al.
D793,833 S 8/2017 Russell et al.
D813,003 S 3/2018 Chang
D816,745 S * 5/2018 Hori D15/139
9,963,938 B2 5/2018 Foote et al.
D827,000 S * 8/2018 VanLue E21B 33/128
D15/138
2005/0241858 A1 * 11/2005 Eppink E21B 10/325
175/325.1

2007/0056773 A1 * 3/2007 Booth E21B 17/22
175/57
2009/0114448 A1 * 5/2009 Laird E21B 10/34
175/61
2012/0255786 A1 * 10/2012 Isenhour E21B 10/26
175/57
2014/0131111 A1 * 5/2014 Desmette E21B 10/26
175/57

OTHER PUBLICATIONS

Cobra Downhole Motors; "Motor Manual" dated Feb. 2016 [126 pages].
National Oilwell Varco; "Drilling Motors", 2011 [20 pages].
Schlumberger; "Powerpak, Steerable Motor Handbook", 2004 [204 pages].
Spatz, et al.; U.S. Appl. No. 29/616,762, filed Sep. 8, 2017 [3 pages].
Spatz, et al.; U.S. Appl. No. 29/616,766, filed Sep. 8, 2017 [3 pages].
Spatz, et al.; U.S. Appl. No. 29/616,768, filed Sep. 8, 2017 [3 pages].
Spatz, et al.; U.S. Appl. No. 29/616,772, filed Sep. 8, 2017 [3 pages].
Spatz, et al.; U.S. Appl. No. 29/616,773, filed Sep. 8, 2017 [3 pages].
Tomahawk Downhole, L.L.C.; "The Cutting Edge in Mud Motors and Mud Motor Components, Motor Handbook" Rev. 7, 2011 [79 pages].
Wenzel Downhole Tools; "Motor Handbook", 4th Edition Ver. 1.0a; Issue Date, Dec. 23, 2013 [Part 1: 64 pages].
Wenzel Downhole Tools; "Motor Handbook", 4th Edition Ver. 1.0a; Issue Date, Dec. 23, 2013 [Part 2: 65 pages].
Wenzel Downhole Tools; "Motor Handbook", 4th Edition Ver. 1.0a; Issue Date, Dec. 23, 2013 [135 pages].

* cited by examiner

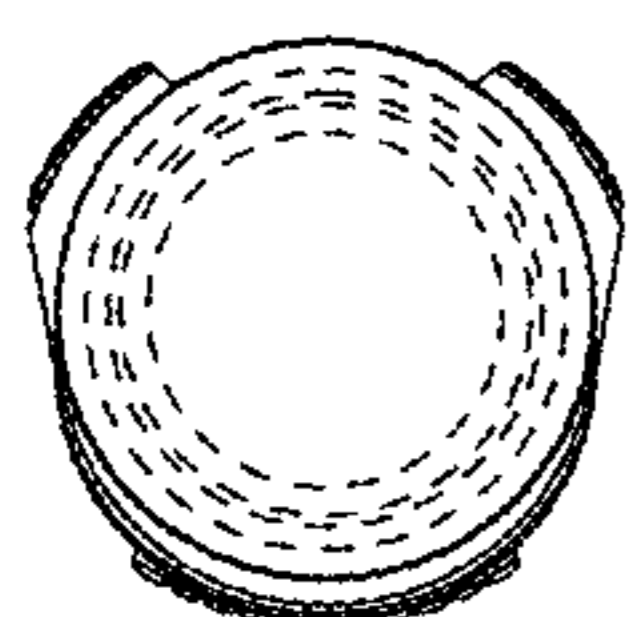


FIG. 5

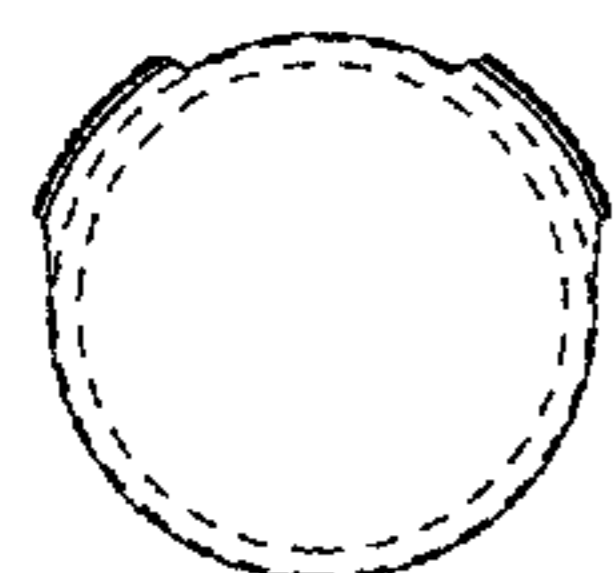
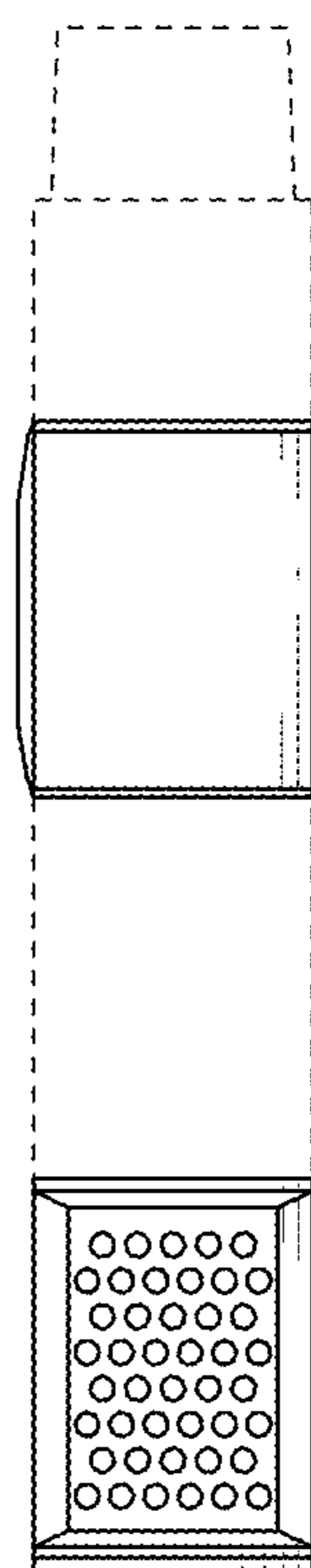
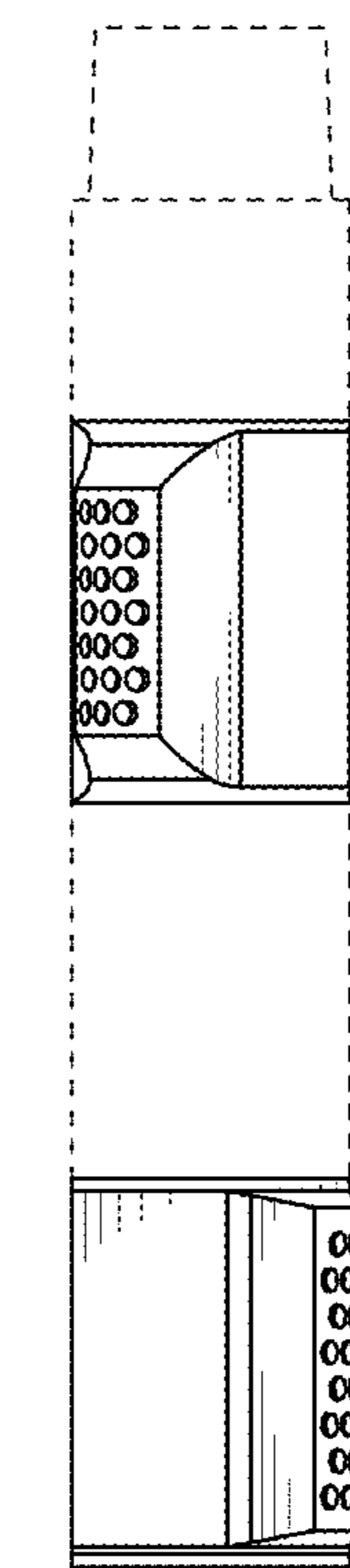
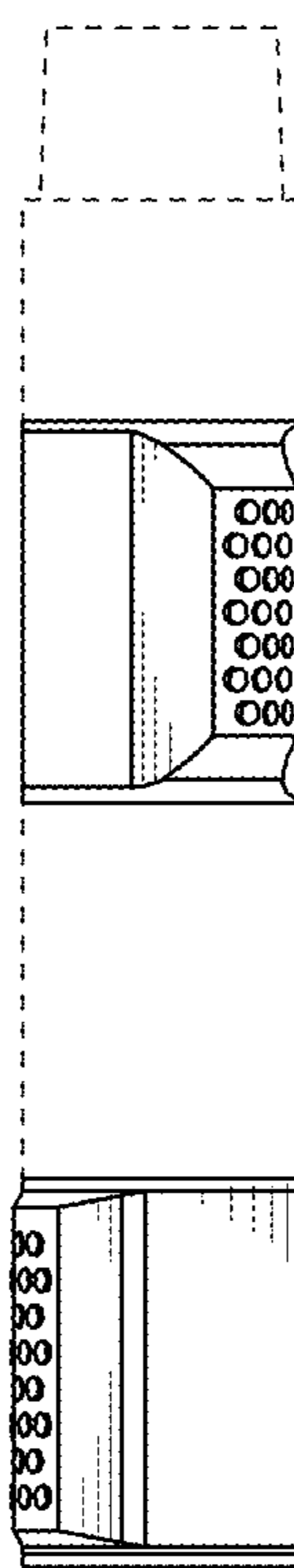
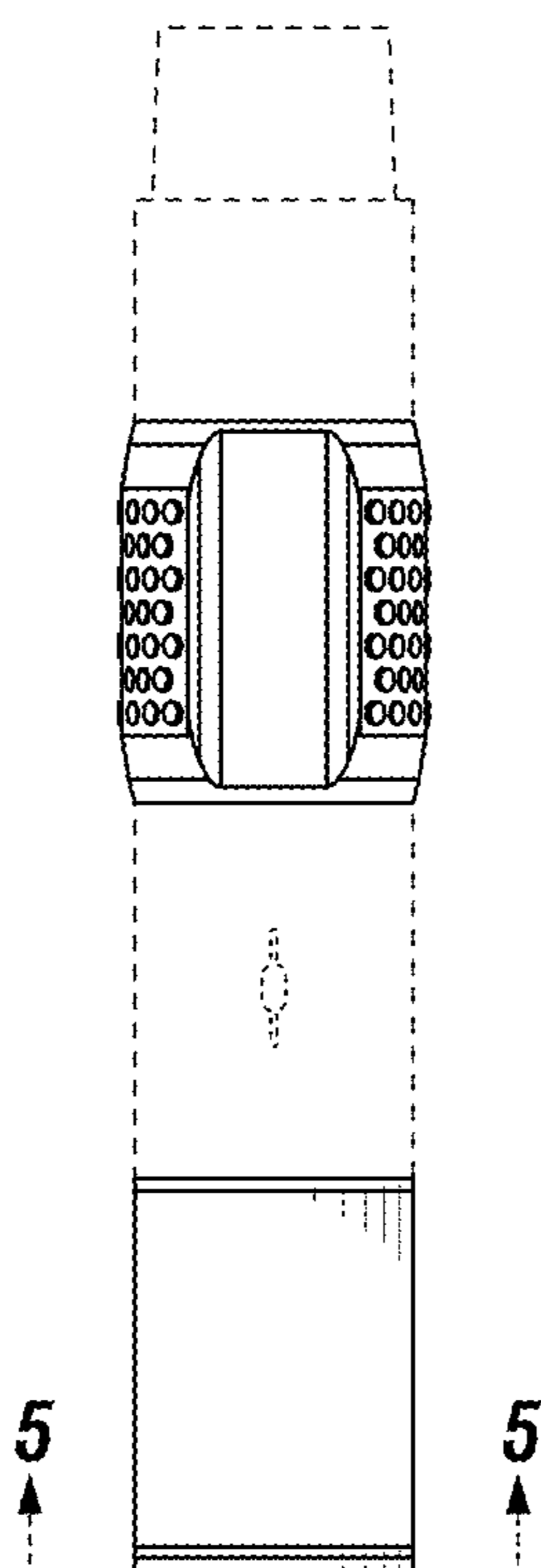


FIG. 6

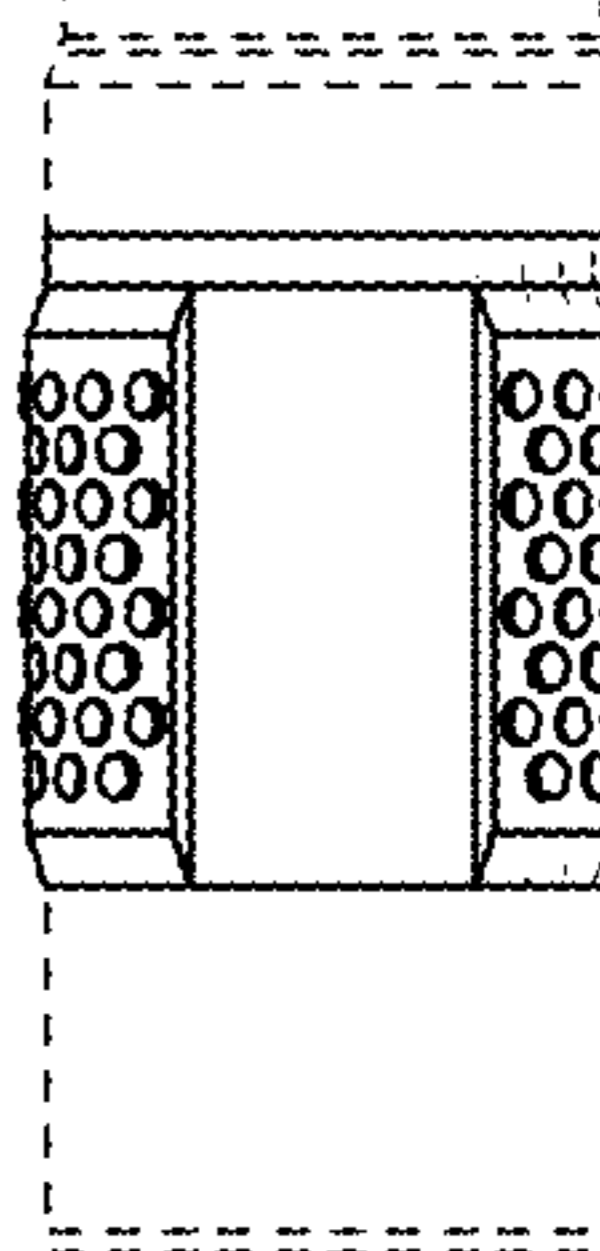
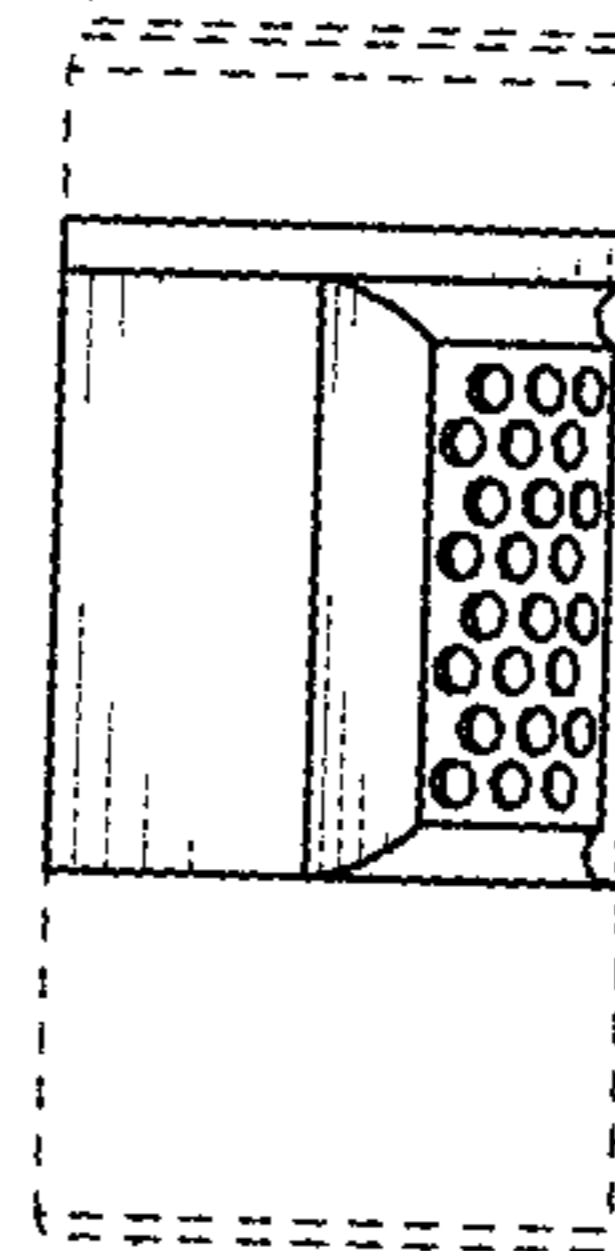
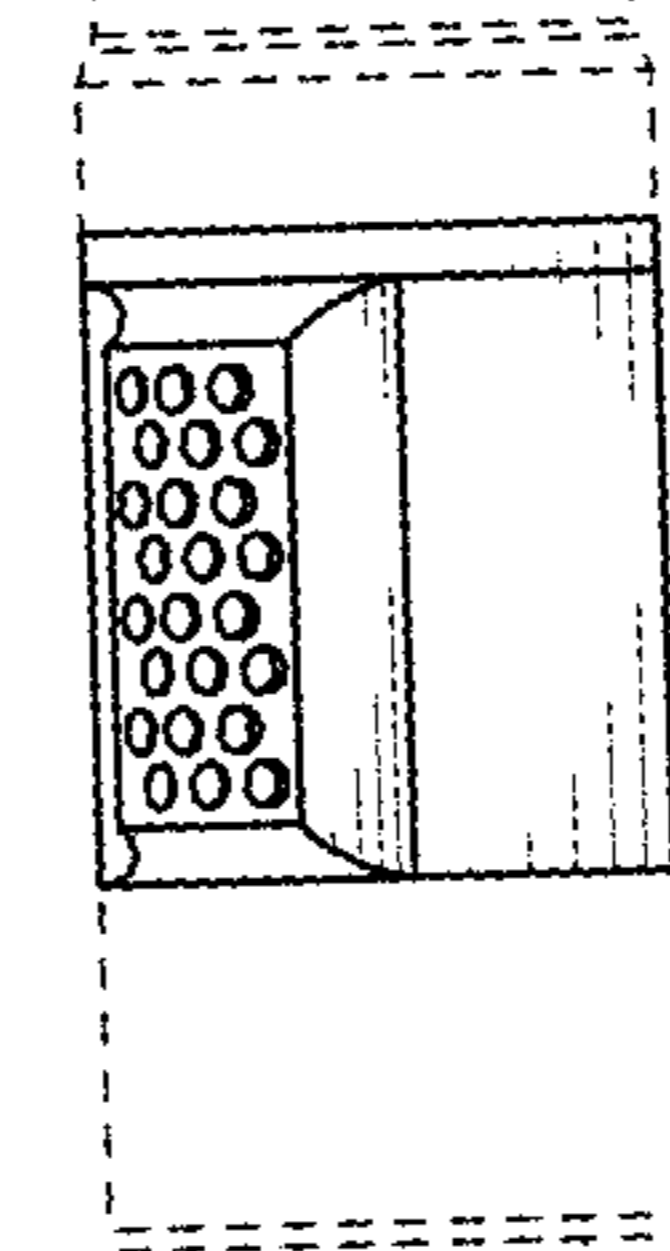
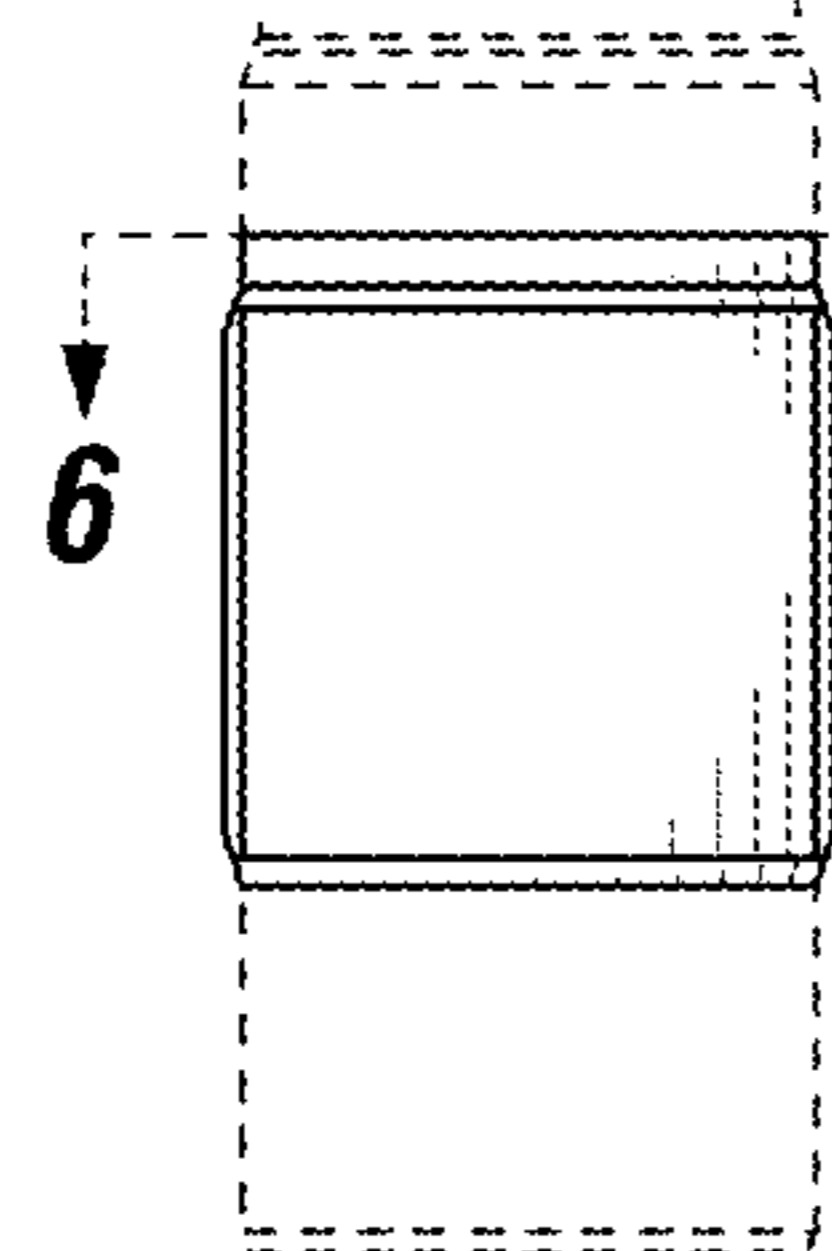


FIG. 1

FIG. 2

FIG. 3

FIG. 4