

US00D87779S

(12) **United States Design Patent** (10) **Patent No.:** **US D877,779 S**  
**Dretzka et al.** (45) **Date of Patent:** **\*\* Mar. 10, 2020**

(54) **DEBRIS BLOWER**

(71) Applicant: **THE TORO COMPANY**,  
Bloomington, MN (US)  
(72) Inventors: **Philip C. Dretzka**, Woodbury, MN  
(US); **David J. Martin**, Eden Prairie,  
MN (US); **Ryan J. Sweere**,  
Minneapolis, MN (US); **Tyler E.**  
**Peterson**, Lindstrom, MN (US)  
(73) Assignee: **THE TORO COMPANY**,  
Bloomington, MN (US)

(\*\*) Term: **15 Years**

(21) Appl. No.: **29/601,679**

(22) Filed: **Apr. 25, 2017**

(51) **LOC (12) Cl.** ..... **15-02**

(52) **U.S. Cl.**  
USPC ..... **D15/12**

(58) **Field of Classification Search**  
USPC ..... D15/11, 12; D12/2, 231, 340-343;  
D32/16, 17, 18, 21, 25, 1, 5, 12  
CPC .... A47L 5/14; A47L 9/32; F04B 35/04; F04B  
17/00  
See application file for complete search history.

(56) **References Cited**

**U.S. PATENT DOCUMENTS**

D304,510 S	11/1989	Baker et al.
D358,912 S	5/1995	Baker et al.
D368,341 S	3/1996	Pink
D400,322 S	10/1998	Webster et al.
D416,360 S	11/1999	Enkyo et al.
D426,354 S	6/2000	Ohi et al.
D431,697 S	10/2000	Hayakawa et al.
D461,604 S	8/2002	Martin et al.
D473,024 S	4/2003	Griffin et al.

(Continued)

**OTHER PUBLICATIONS**

U.S. Appl. No. 29/592,487, filed Jan. 31, 2017, The Toro Co.

(Continued)

*Primary Examiner* — Mark A Goodwin  
*Assistant Examiner* — Benjamin M Weeks  
(74) *Attorney, Agent, or Firm* — Muetting, Raasch &  
Gebhardt, P.A.

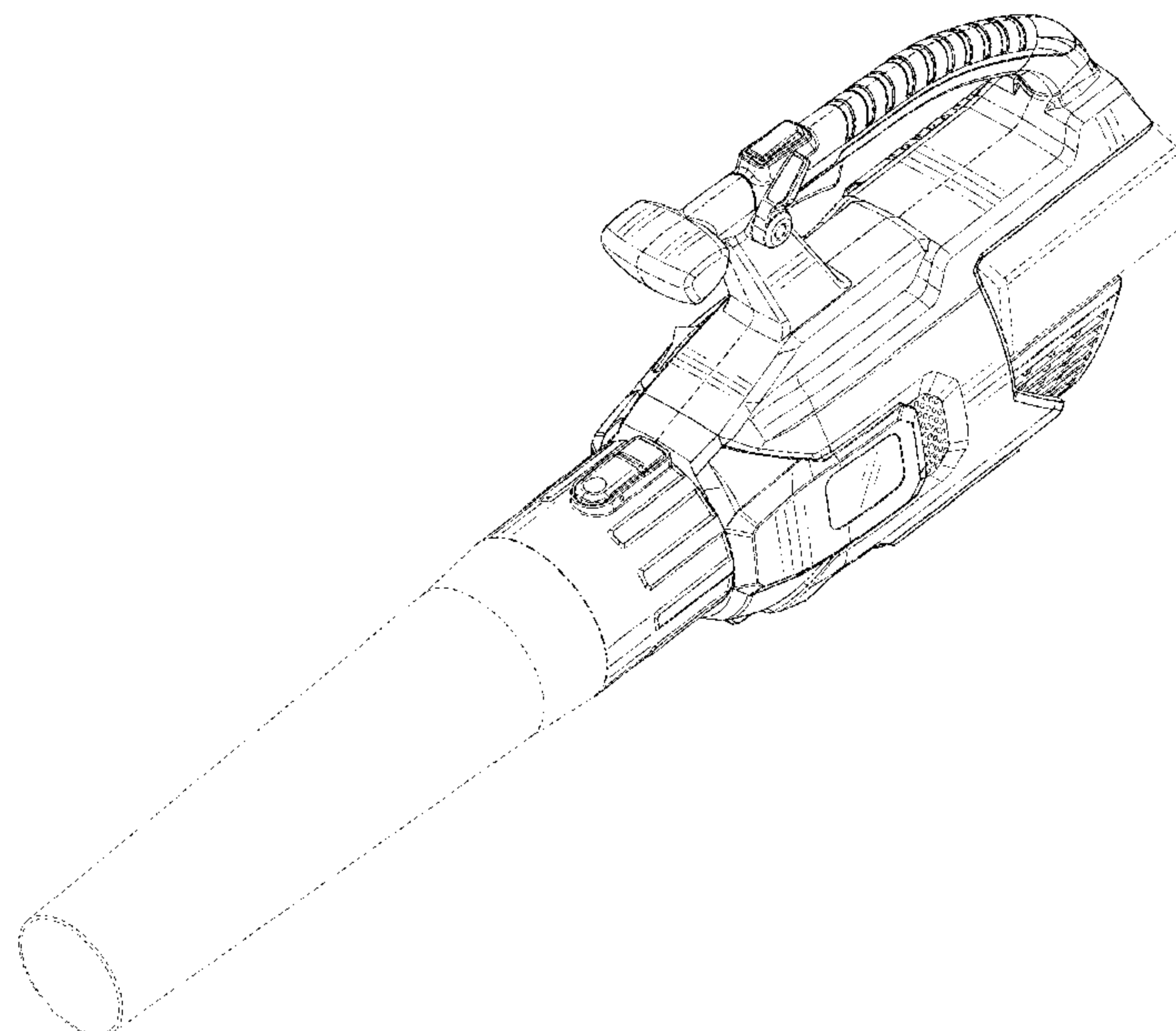
(57) **CLAIM**

The ornamental design for a debris blower, as shown and described.

**DESCRIPTION**

FIG. 1 is a left front perspective view of a debris blower in accordance with the claimed design;  
FIG. 2 is a bottom right perspective view of the design of FIG. 1;  
FIG. 3 is a left side elevation view of the design of FIG. 1;  
FIG. 4 is a right side elevation view of the design of FIG. 1;  
FIG. 5 is a top plan view of the design of FIG. 1;  
FIG. 6 is a bottom plan view of the design of FIG. 1;  
FIG. 7 is a rear elevation view of the design of FIG. 1; and,  
FIG. 8 is a front elevation view of the design of FIG. 1.  
The dash-dash broken lines in the figures (e.g., including portions depicting unclaimed parts of the debris blower, the attached battery, portions adjacent the dot-dash broken lines, and the longitudinal seam lines) represent environment and form no part of the claimed design.  
The dot-dash broken lines in the figures immediately adjacent the solid lines represent a boundary between claimed and unclaimed subject matter and form no part of the claimed design.  
The labels used herein to describe orientation (e.g., top, bottom, left, right) are merely for reference and are not intended to limit the interpretation of the design.

**1 Claim, 8 Drawing Sheets**



(56)

References Cited

U.S. PATENT DOCUMENTS

D498,885 S 11/2004 Robson  
 6,834,413 B2 12/2004 Sanders et al.  
 D526,750 S 8/2006 Ito  
 D556,395 S 11/2007 Martin et al.  
 D558,939 S 1/2008 Yuasa  
 D569,055 S \* 5/2008 Bochmann ..... D32/15  
 D584,460 S 1/2009 Sweeney  
 D584,461 S 1/2009 Sweeney  
 D605,819 S 12/2009 Tinius  
 D615,716 S 5/2010 Tinius  
 7,735,188 B2 6/2010 Shaffer  
 D637,774 S 5/2011 Li et al.  
 D640,846 S 6/2011 Tinius  
 D640,848 S \* 6/2011 Houghton ..... D32/18  
 D641,111 S \* 7/2011 Houghton ..... D32/18  
 D711,056 S 8/2014 Crawley  
 D711,057 S 8/2014 Crawley  
 D719,307 S 12/2014 Carl et al.  
 D729,999 S 5/2015 Aoi et al.  
 D735,960 S 8/2015 Zhang  
 D741,917 S 10/2015 Tinius  
 D742,603 S 11/2015 Tschopp  
 D746,004 S 12/2015 Murray et al.  
 D747,050 S 1/2016 Martin et al.  
 D748,876 S 2/2016 Carl et al.  
 D748,877 S 2/2016 Tirone et al.  
 D812,825 S 3/2018 Smith et al.  
 D834,270 S 11/2018 Naslund et al.  
 D834,271 S 11/2018 Naslund et al.  
 D853,061 S \* 7/2019 Dretzka ..... D32/15  
 D853,669 S \* 7/2019 Qiu ..... D32/15  
 D854,264 S \* 7/2019 Tucker ..... D32/15  
 D854,265 S \* 7/2019 Wachter ..... D32/15

D862,818 S \* 10/2019 Bruneel ..... D32/18  
 D862,819 S \* 10/2019 Xu ..... D32/18  
 2008/0127448 A1 6/2008 Kremsler et al.  
 2008/0152487 A1 6/2008 Shaffer et al.  
 2012/0138717 A1 6/2012 Svoboda et al.  
 2013/0239357 A1 9/2013 Hoffman et al.

OTHER PUBLICATIONS

U.S. Appl. No. 29/601,668, filed Apr. 25, 2017, The Toro Co.  
 U.S. Appl. No. 29/601,674, filed Apr. 25, 2017, The Toro Co.  
 U.S. Appl. No. 29/601,676, filed Apr. 25, 2017, The Toro Co.  
 GreenworksPro “60V Brushless Axial Blower BL60L00.” Owner’s Manual. Greenworks Tools, 2016; 20 pages.  
 Greenworks “40V Lithium-ion Axial Blower 2400802.” Owner’s Manual. Greenworks Tools, 2015; 23 pages.  
 Milwaukee “Operator’s Manual, M18 Blower.” Cat. No. 2728-20, Milwaukee Tool, 2016; 16 pages.  
 Ryobi “Operator’s Manual, 40 Volt Blower, RY40402.” Techtronic Industries North America, Inc., 2014; 30 pages.  
 Toro “Rake and Vac™ and Super Blower/Vacuum; Model No. 51617—Serial No. 314000001 and Up; Model No. 51618—Serial No. 314000001 and Up” Operator’s Manual. Form No. 3378-473 Rev A, The Toro Company, Copyright 2013; 8 pages.  
 Toro “Hand-Held Sweeper Blower; Model No. 51701—Serial No. 313000001 and Up; Model No. 51701T—Serial No. 313000001 and Up; Model No. 51702—Serial No. 313000001 and Up; Model No. 51702T—Serial No. 313000001 and Up” Operator’s Manual. Form No. 3378-748 Rev A, The Toro Company, Copyright 2013; 8 pages.  
 Worx “40V MAX Lithium Cordless Blower WG580.” Operator’s Manual. Positec, Copyright 2016; 24 pages.  
 U.S. Appl. No. 29/635,489, filed Jan. 31, 2018, The Toro Co.

\* cited by examiner

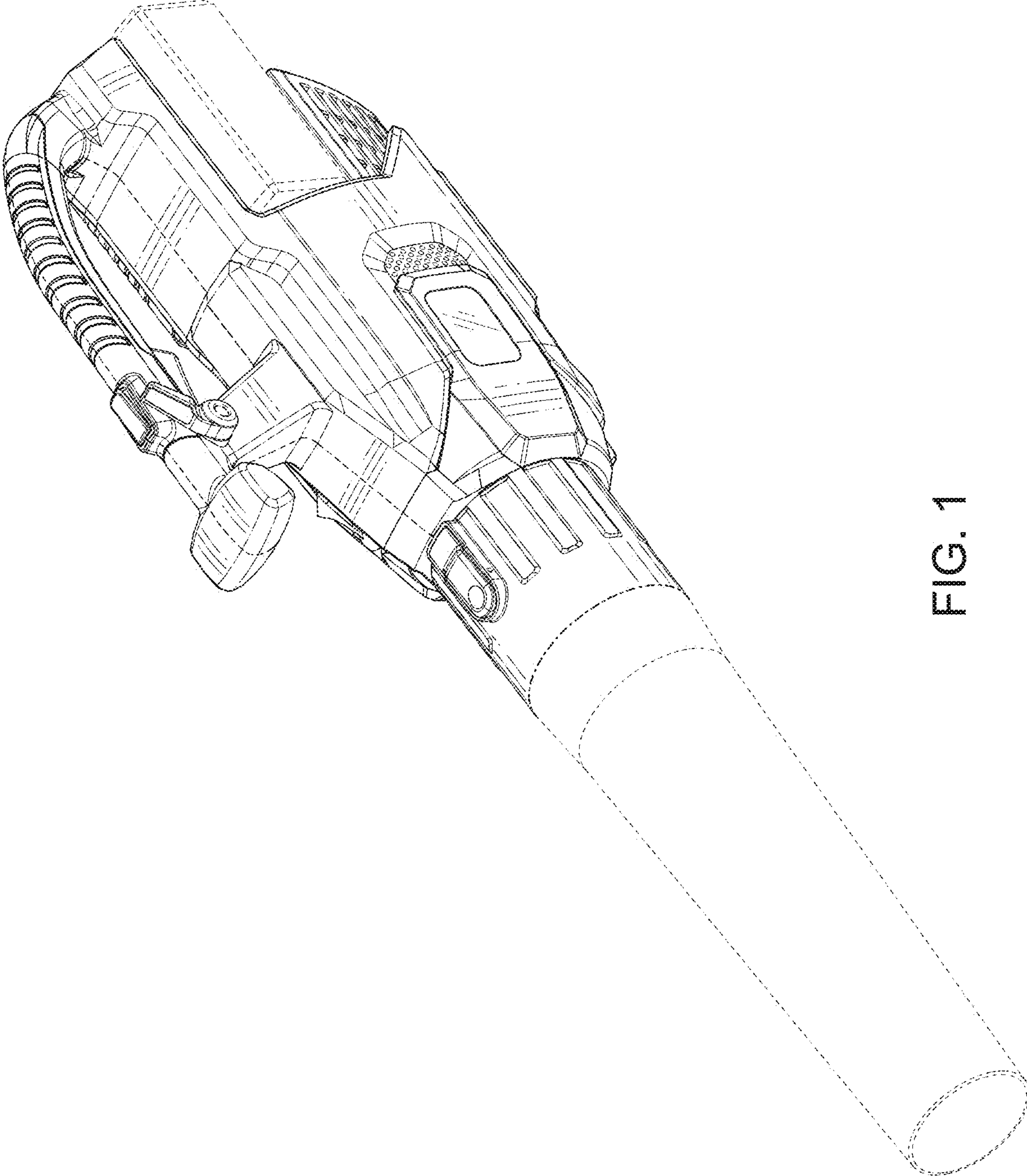


FIG. 1



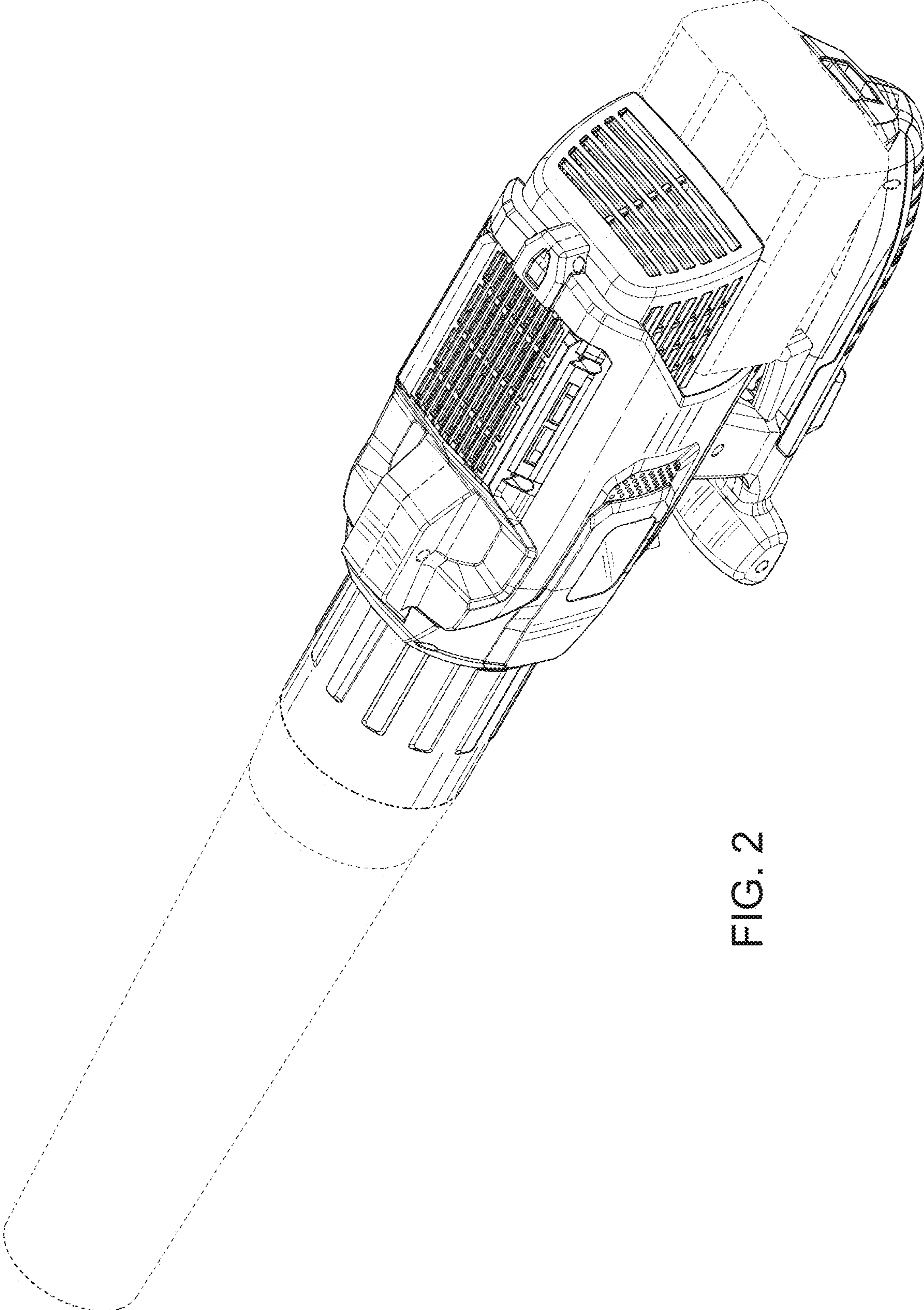


FIG. 2

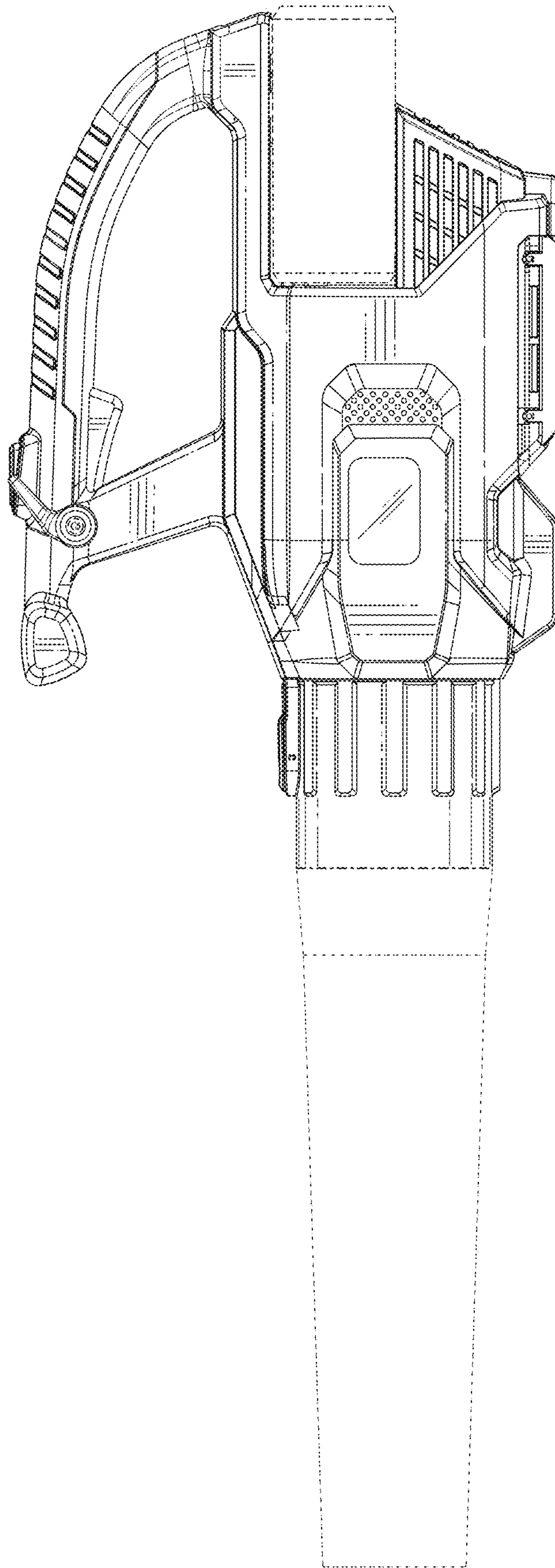


FIG. 3

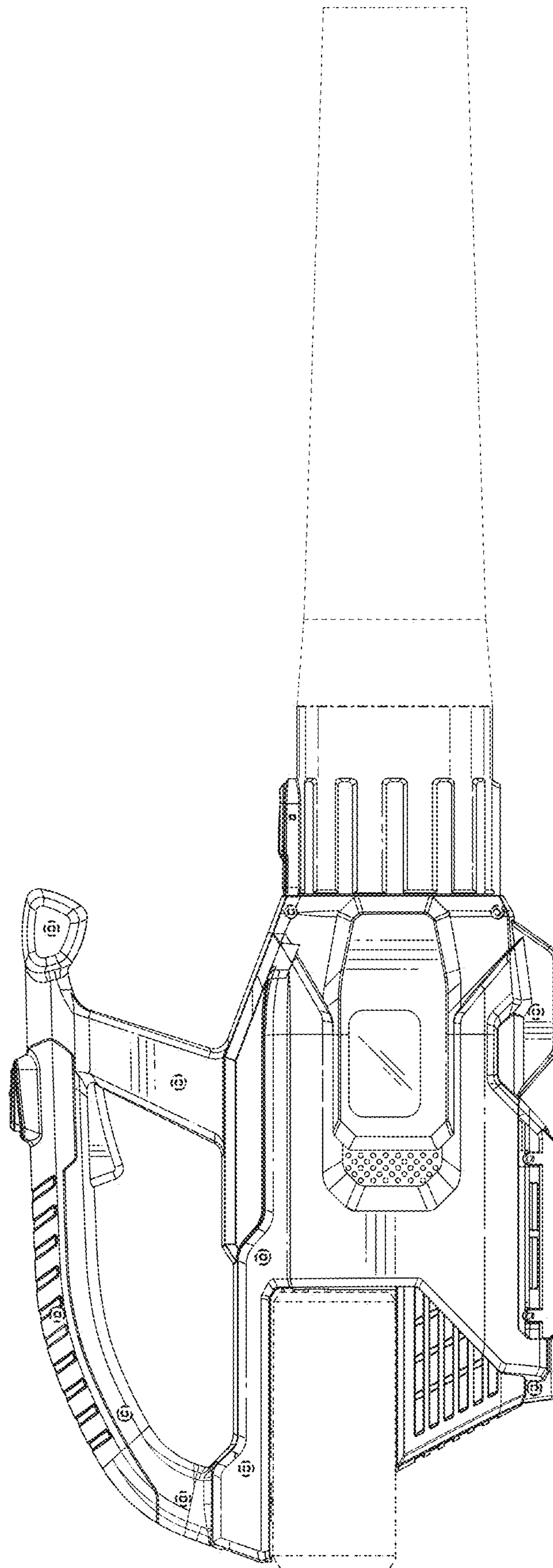


FIG. 4



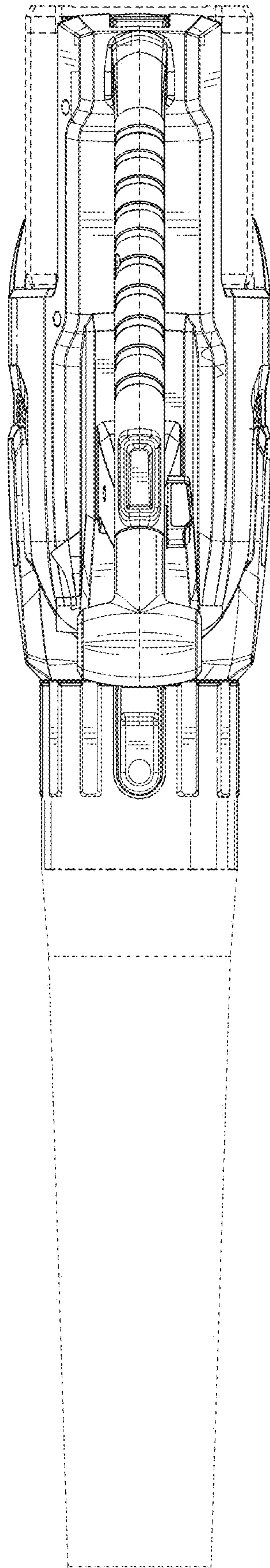


FIG. 5

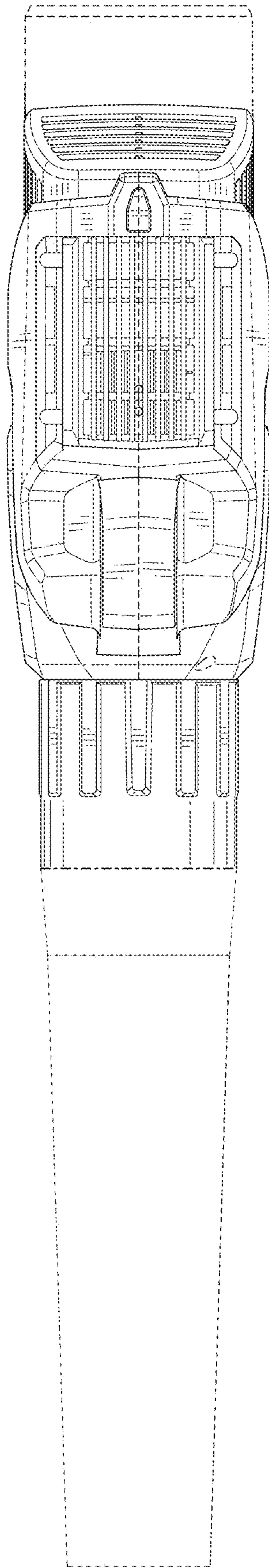


FIG. 6



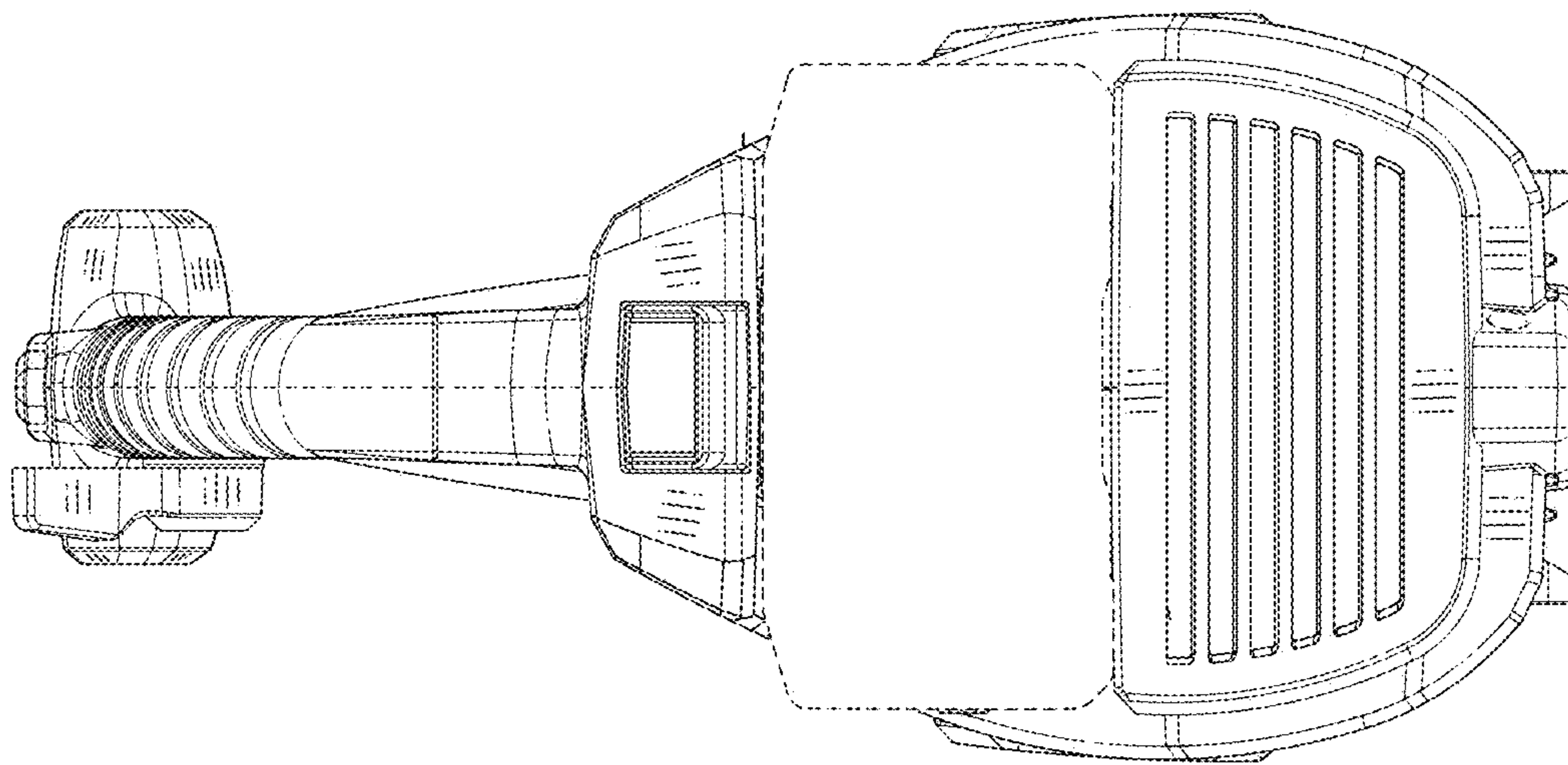


FIG. 7

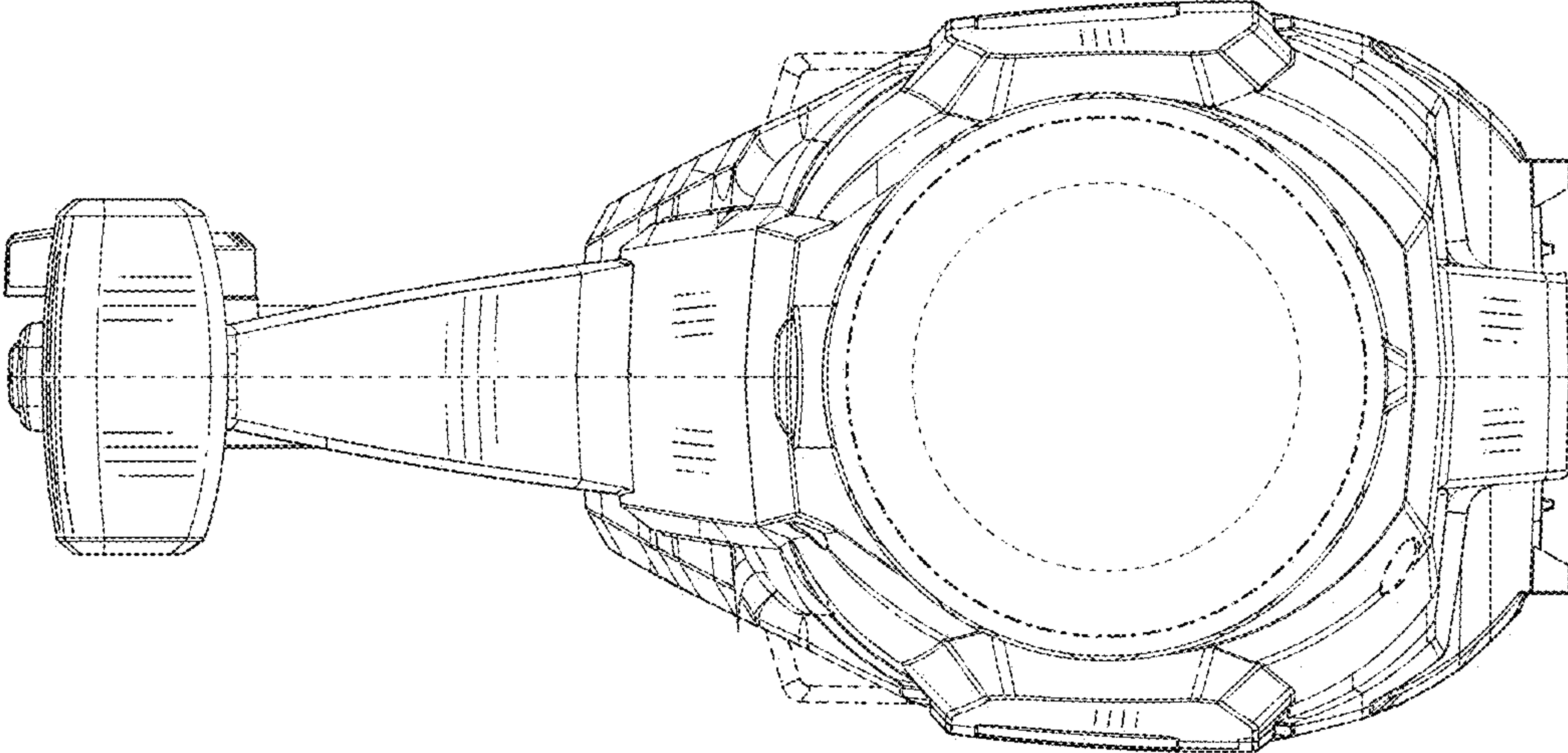


FIG. 8