

US00D877778S

(12) **United States Design Patent**  
**Kencevski**

(10) **Patent No.:** **US D877,778 S**  
(45) **Date of Patent:** **\*\* Mar. 10, 2020**

(54) **FUEL PUMP**

(71) Applicant: **Jason Kencevski**, Sydney (AU)

(72) Inventor: **Jason Kencevski**, Sydney (AU)

(\*\*) Term: **15 Years**

(21) Appl. No.: **29/664,613**

(22) Filed: **Sep. 26, 2018**

(51) **LOC (12) Cl.** ..... **15-02**

(52) **U.S. Cl.**  
USPC ..... **D15/7**

(58) **Field of Classification Search**  
USPC ..... D15/7-9; D23/225, 231, 232  
CPC ..... F02M 37/04; F02M 37/14; F04B 53/92;  
F04B 1/005

See application file for complete search history.

(56) **References Cited**

**U.S. PATENT DOCUMENTS**

D289,400 S *	4/1987	Frees	.....	D15/5
D317,163 S *	5/1991	Kaneko	.....	D15/5
D329,651 S *	9/1992	Kuwada	.....	D15/5
D331,239 S *	11/1992	Iwai	.....	D15/7
D332,266 S *	1/1993	Iwai	.....	D15/7
D332,267 S *	1/1993	Iwai	.....	D15/7
D333,475 S *	2/1993	Kuwada	.....	D15/5
D368,099 S *	3/1996	Stenborg	.....	D15/9.1
D541,816 S *	5/2007	Puls	.....	D15/7
D541,817 S *	5/2007	Puls	.....	D15/7
D543,217 S *	5/2007	Puls	.....	D15/7
D582,434 S *	12/2008	Turgut	.....	D15/7
D582,435 S *	12/2008	Turgut	.....	D15/7
D582,944 S *	12/2008	Turgut	.....	D15/7
D637,209 S *	5/2011	Wessol	.....	D15/7
D637,210 S *	5/2011	Wessol	.....	D15/7

D645,055 S *	9/2011	Benoit	.....	D15/7
D645,057 S *	9/2011	Benoit	.....	D15/9
D645,058 S *	9/2011	Benoit	.....	D15/9
D680,134 S *	4/2013	Fordyce	.....	D15/7
D696,300 S *	12/2013	Arotzarena	.....	D15/7
D696,694 S *	12/2013	Fulkerson	.....	D15/7
D698,829 S *	2/2014	Singh	.....	D15/7
D725,153 S *	3/2015	Berry	.....	D15/7
D770,537 S *	11/2016	Ootake	.....	D15/7
D771,712 S *	11/2016	Ootake	.....	D15/7
D778,323 S *	2/2017	Hashimoto	.....	D15/7
D808,438 S *	1/2018	Wakabayashi	.....	D15/7
D818,005 S *	5/2018	Meda	.....	D15/7

\* cited by examiner

*Primary Examiner* — Mitchell I. Siegel

(74) *Attorney, Agent, or Firm* — Integral Patent; Laurence J. Shaw

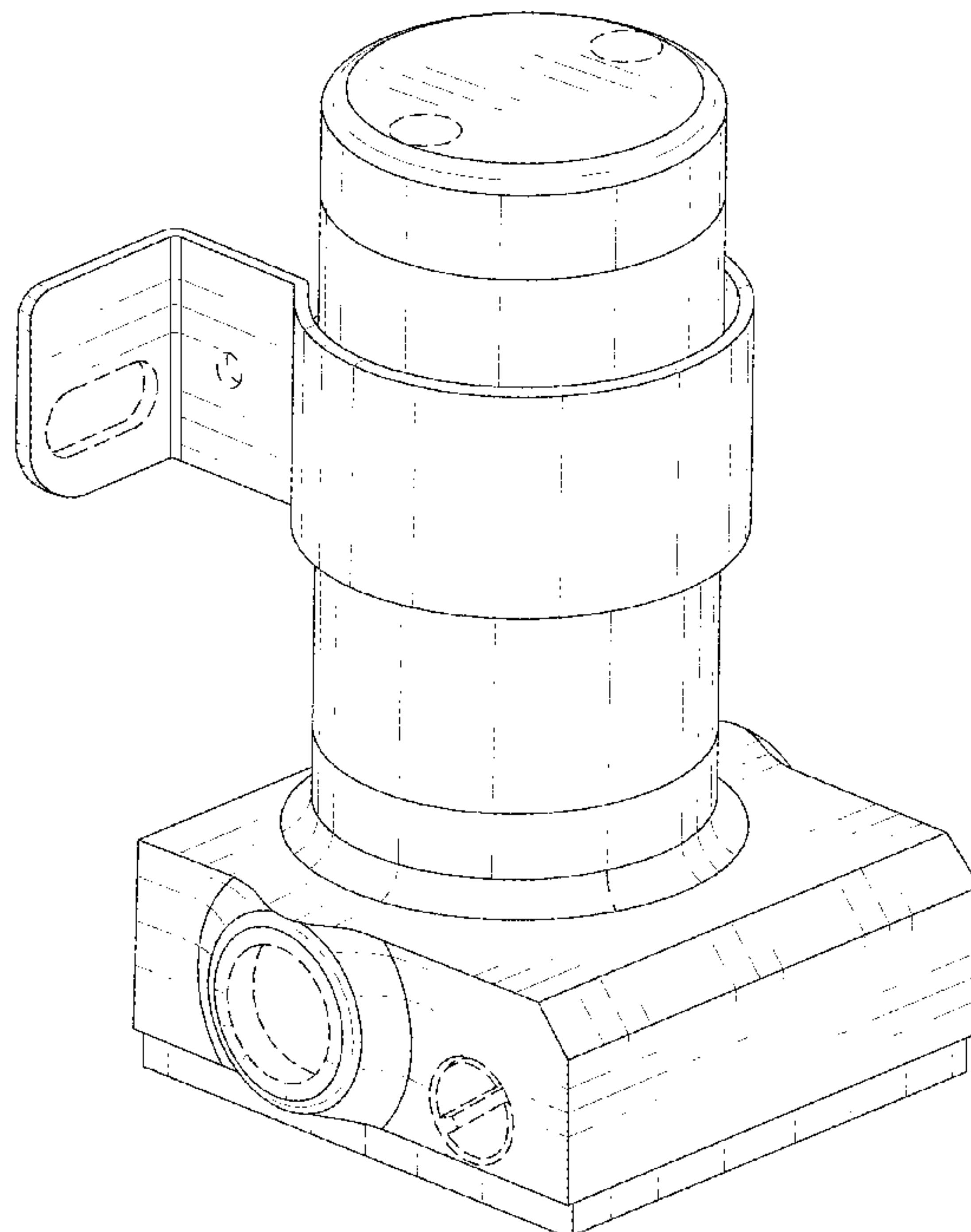
(57) **CLAIM**

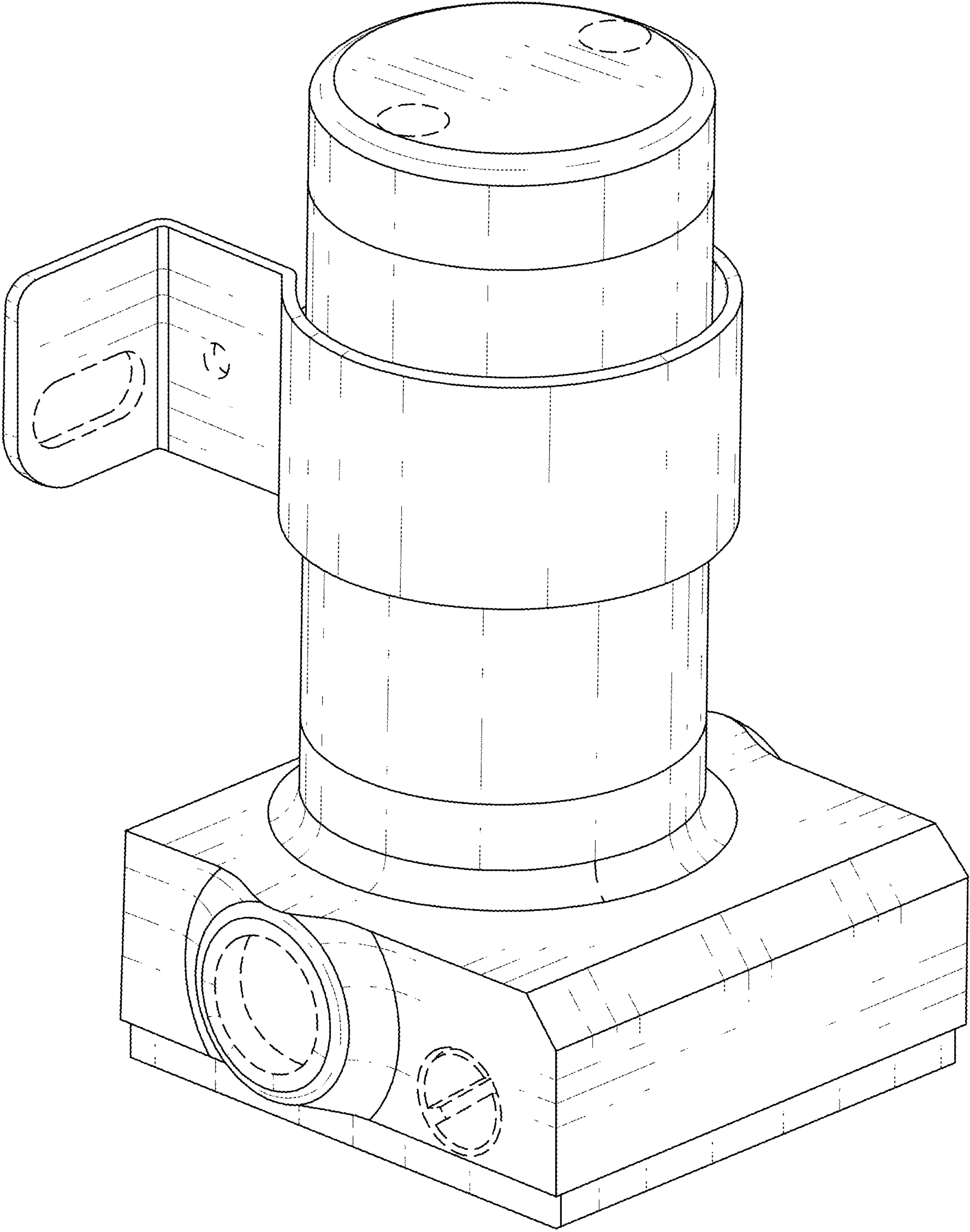
I claim the ornamental design for a fuel pump, as shown and described.

**DESCRIPTION**

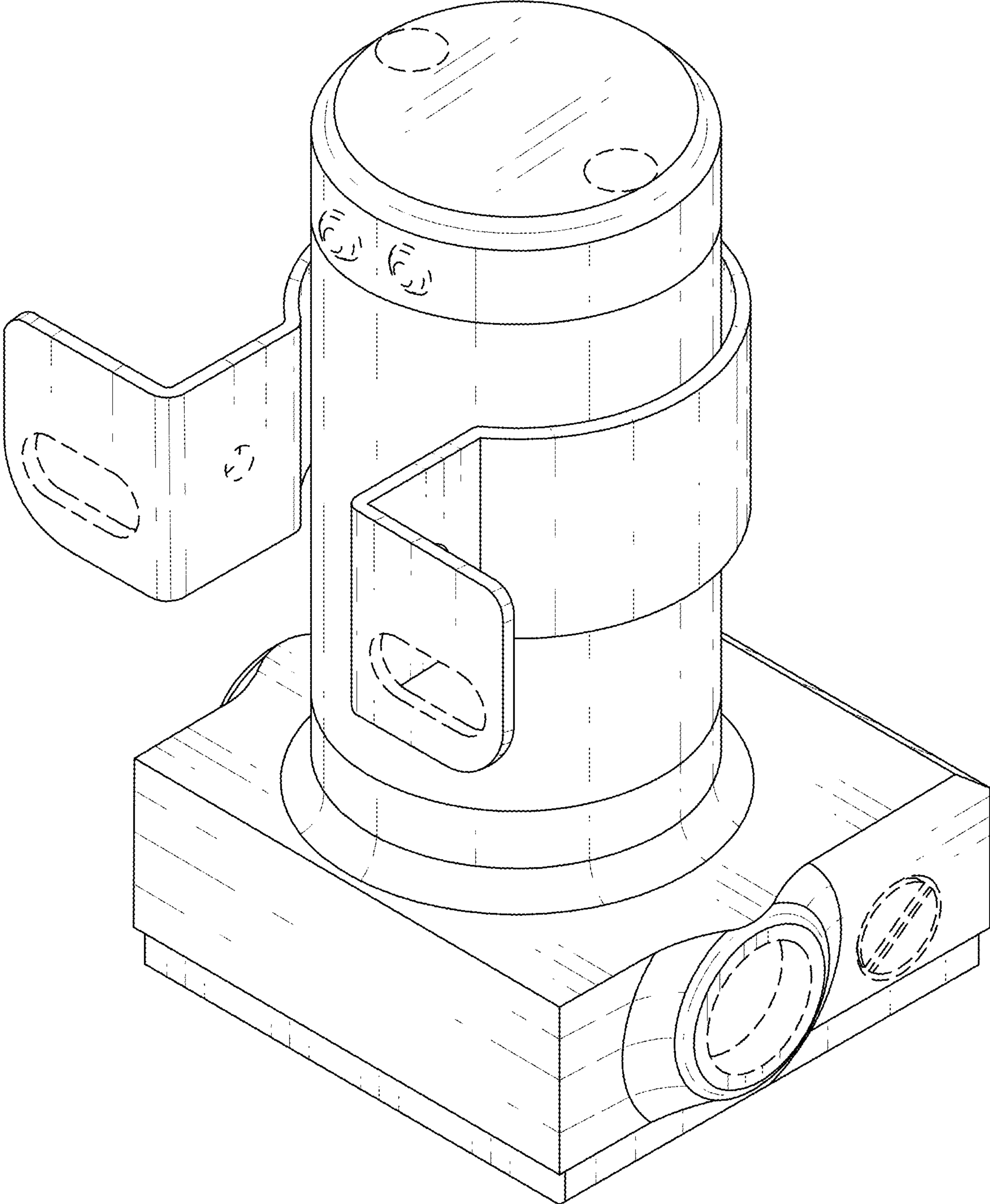
FIG. 1 shows a front left perspective view of a fuel pump showing my new design;  
FIG. 2 shows a back left perspective view thereof;  
FIG. 3 shows a left side view thereof;  
FIG. 4 shows a right side view thereof;  
FIG. 5 shows a front view thereof;  
FIG. 6 shows a back view thereof;  
FIG. 7 shows a bottom view thereof; and,  
FIG. 8 shows a top view thereof.  
The broken lines shown on the drawings are included for the purpose of illustrating unclaimed subject matter and forms no part of the claimed design.

**1 Claim, 8 Drawing Sheets**

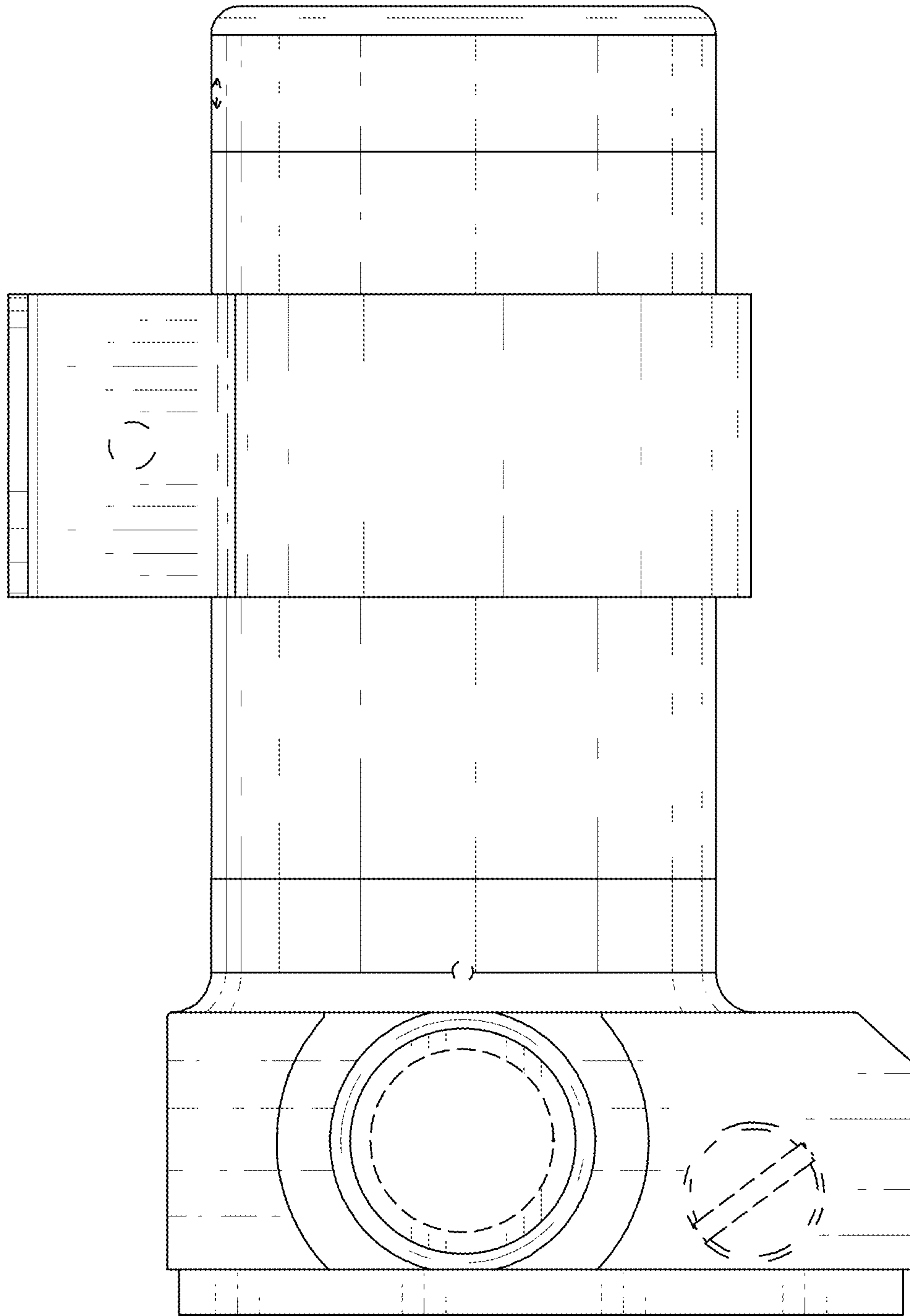




**FIG. 1**

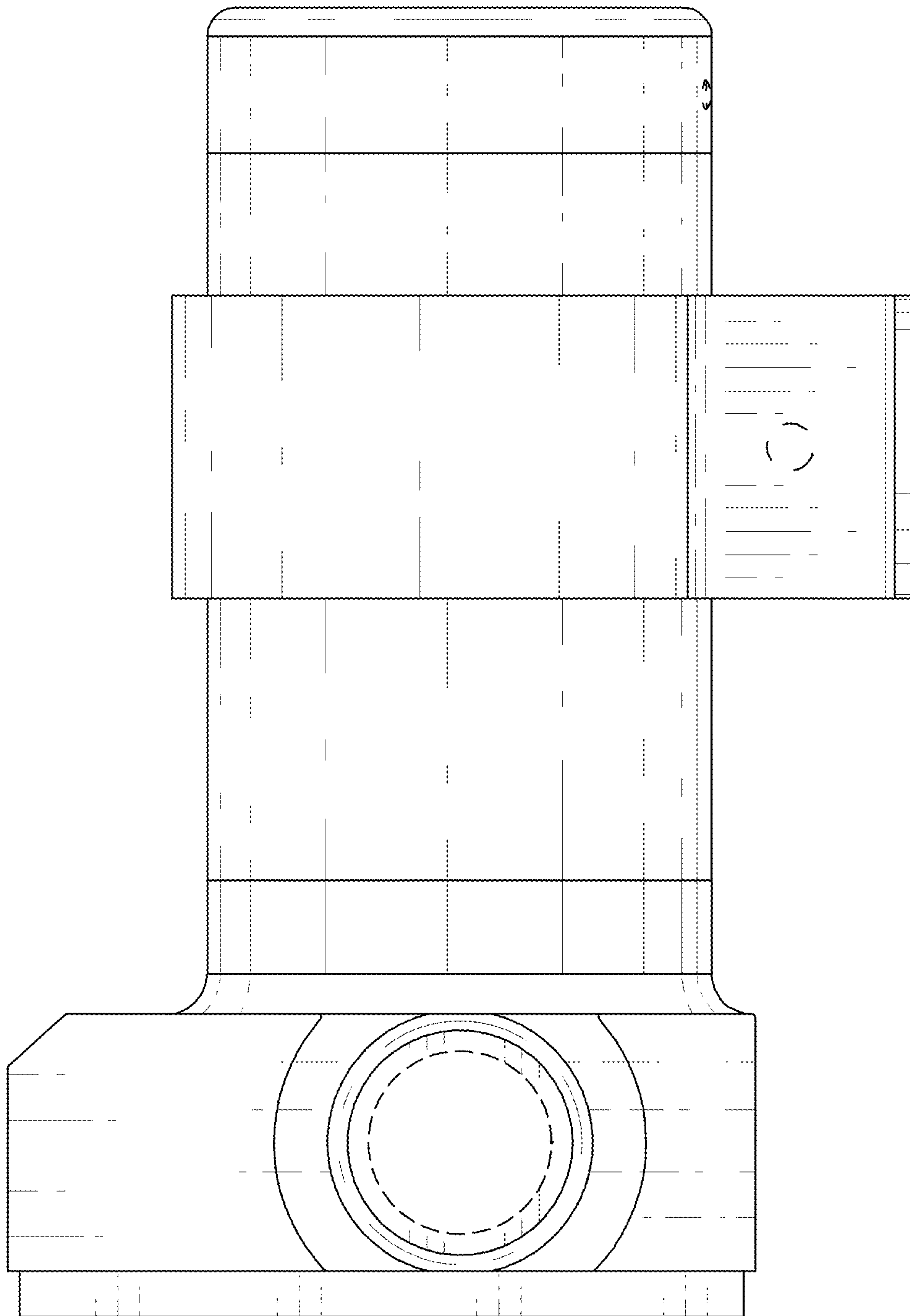


**FIG. 2**

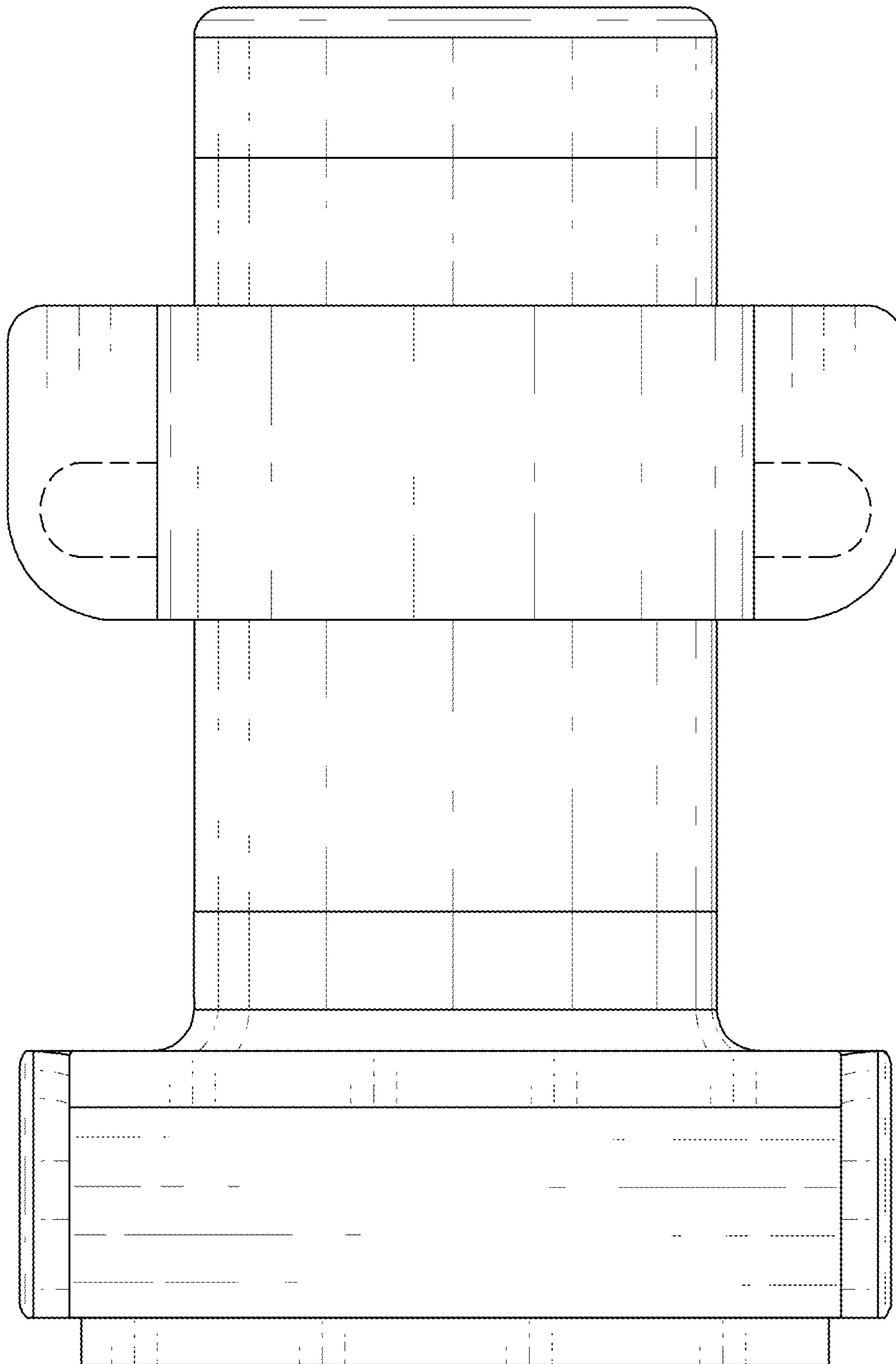


**FIG. 3**

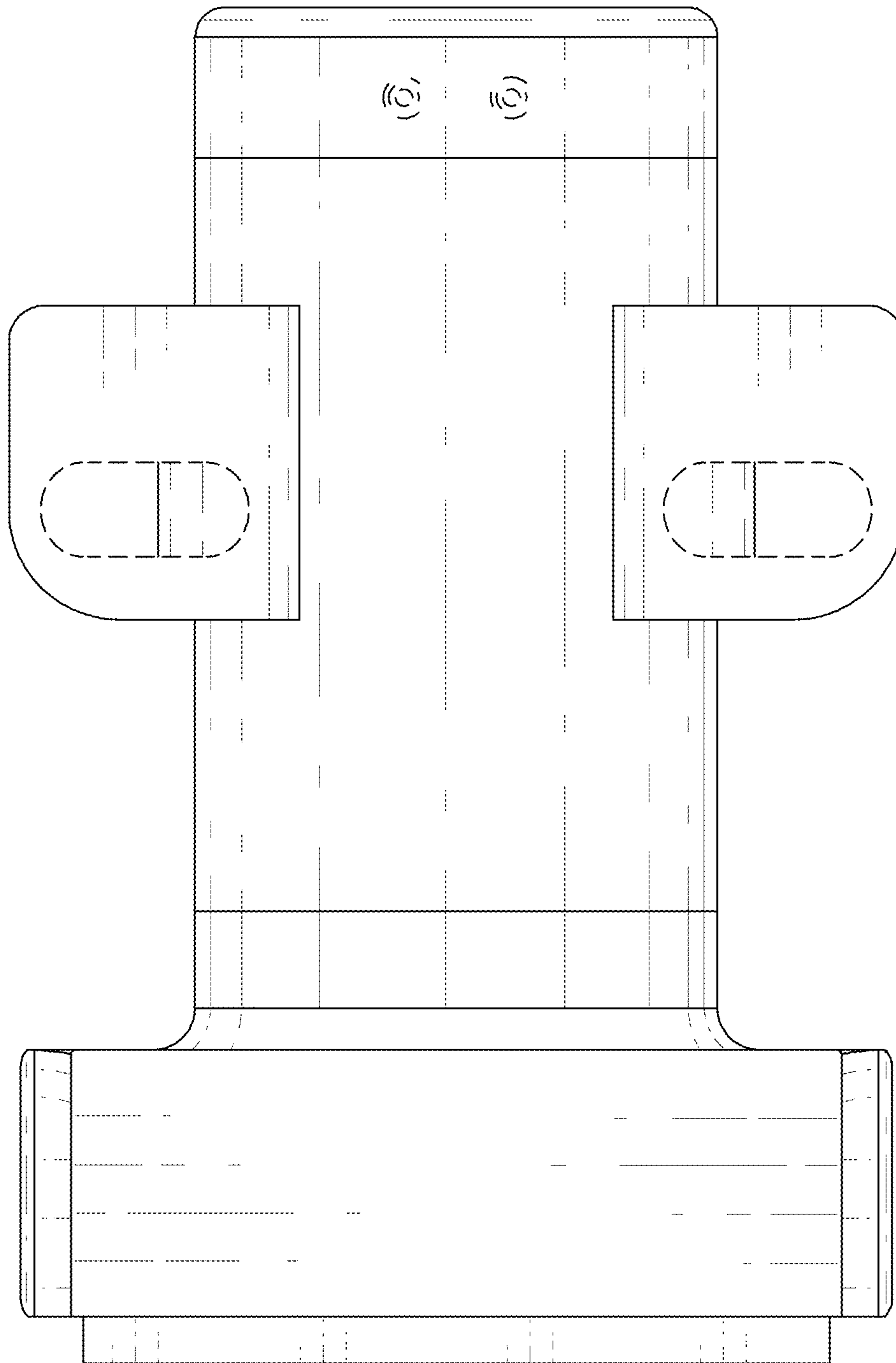




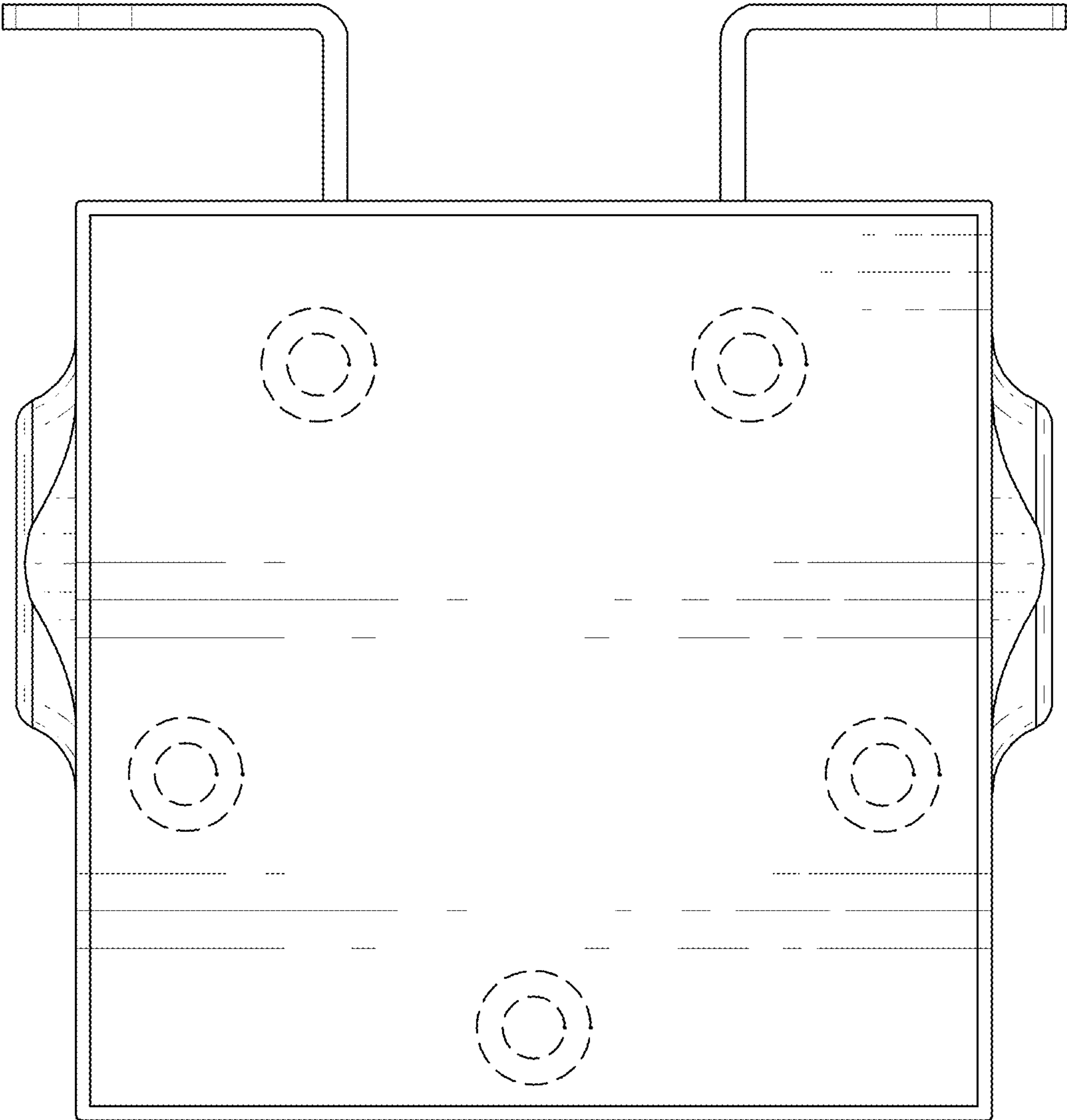
**FIG. 4**



**FIG. 5**

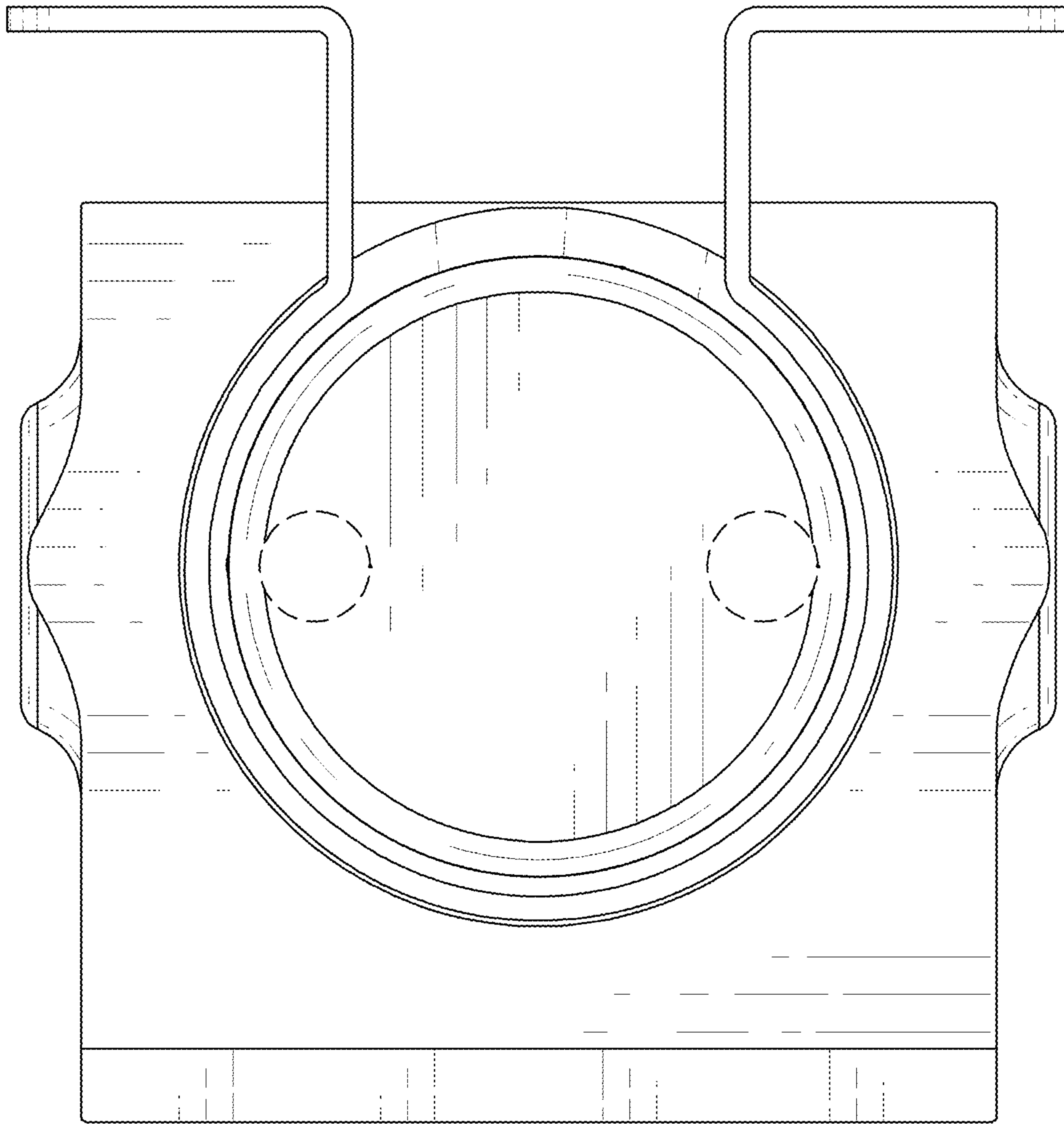


**FIG. 6**



**FIG. 7**





**FIG. 8**