



US00D877773S

(12) **United States Design Patent**
Lebov et al.

(10) **Patent No.:** **US D877,773 S**
(45) **Date of Patent:** **** Mar. 10, 2020**

(54) **DISPLAY SCREEN WITH ANIMATED ICON**

D758,430 S * 6/2016 Daniel D14/489
D767,626 S * 9/2016 Lee D14/489
D770,476 S * 11/2016 Jitkoff D14/485

(71) Applicant: **Google LLC**, Mountain View, CA (US)

(Continued)

(72) Inventors: **Andrew Lebov**, Burlingame, CA (US);
Christopher Bettig, San Francisco, CA
(US); **Elizabeth Belg**, San Francisco,
CA (US); **Peter Smith**, San Francisco,
CA (US); **Marshall Bock**, San
Francisco, CA (US)

OTHER PUBLICATIONS

“SwishGames—YouTube Gaming Heart GIF” Jun. 14, 2015, posted
at makeagif.com, [site visited Dec. 11, 2019]. [https://makeagif.com/
gif/swishgames-youtube-gaming-heart-gif-gCnuff](https://makeagif.com/gif/swishgames-youtube-gaming-heart-gif-gCnuff) (Year: 2015).*

(Continued)

(73) Assignee: **Google LLC**, Mountain View, CA (US)

Primary Examiner — Jack Reickel

(**) Term: **15 Years**

Assistant Examiner — John M Otte

(21) Appl. No.: **29/658,528**

(74) *Attorney, Agent, or Firm* — Finnegan, Henderson,
Farabow, Garrett & Dunner LLP

(22) Filed: **Jul. 31, 2018**

(57) **CLAIM**

(51) **LOC (12) Cl.** **14-04**

The ornamental design for a display screen with animated
icon, as shown and described.

(52) **U.S. Cl.**

DESCRIPTION

USPC **D14/489**

(58) **Field of Classification Search**

USPC D14/485–495; D20/11; D21/324, 325
CPC G06F 3/048; G06F 3/0481; G06F 3/04817;
G06F 3/0482; G06F 3/0483; G06F
3/04842; G06F 3/0485; G06F 3/04855;
G06F 3/0486; G06F 3/0488; G06F
3/04883; G06F 3/04886; G06F 8/20;
G06F 9/4443; G06F 16/638; G06F
17/211; G06F 17/212; G06Q 30/02;
G06K 9/6204

See application file for complete search history.

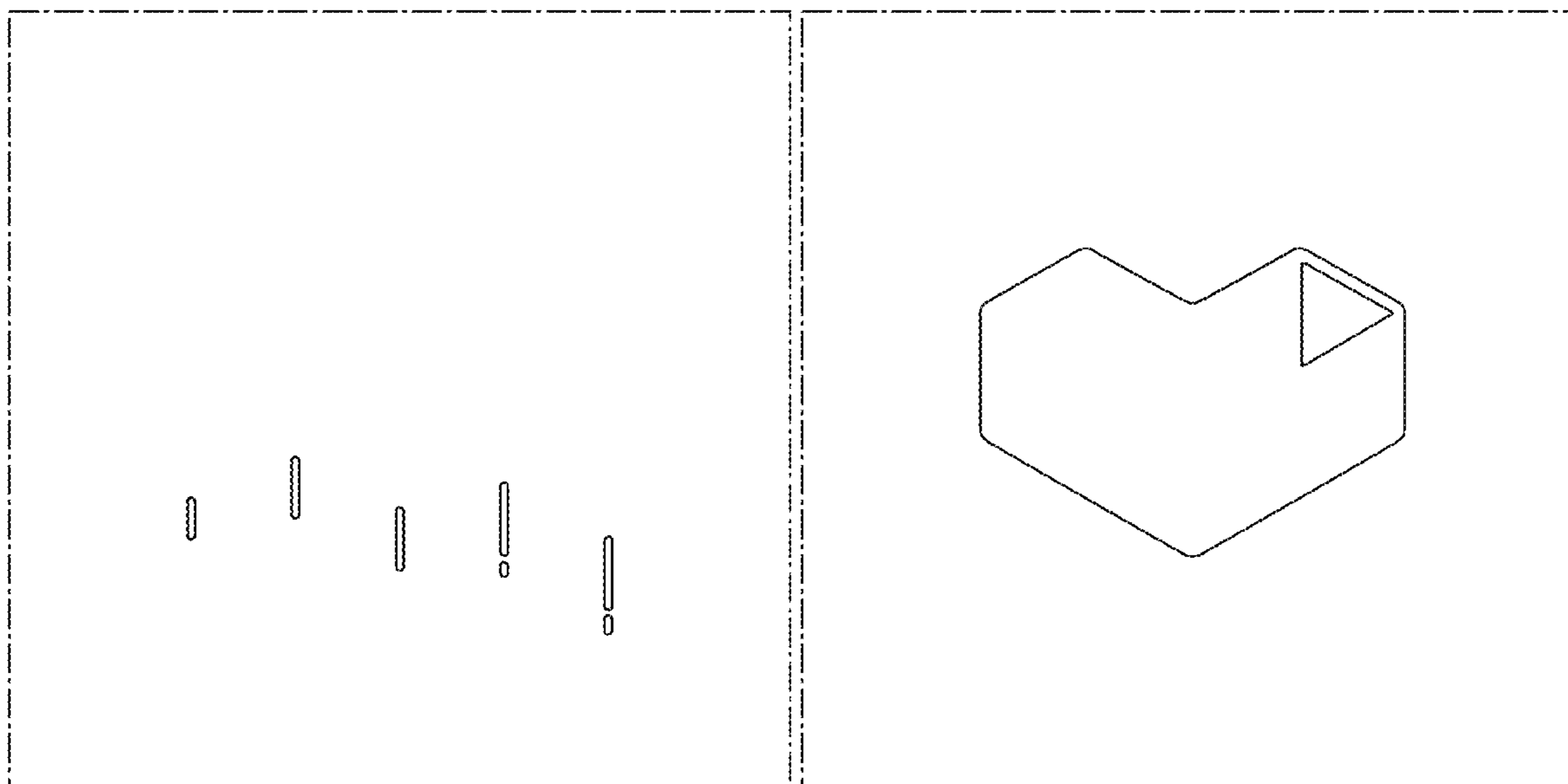
FIG. 1 is a front elevation view of a first image of a display
screen with animated icon showing the new design;
FIG. 2 is a front elevation view of a second image thereof;
FIG. 3 is a front elevation view of a third image thereof;
FIG. 4 is a front elevation view of a fourth image thereof;
FIG. 5 is a front elevation view of a fifth image thereof;
FIG. 6 is a front elevation view of a sixth image thereof;
FIG. 7 is a front elevation view of a seventh image thereof;
FIG. 8 is a front elevation view of an eighth image thereof;
and,
FIG. 9 is a front elevation view of a ninth image thereof.
The appearance of the animated user interface sequentially
transitions between the images shown in FIGS. 1-9. The
process or period in which one image transitions to another
image forms no part of the claimed design.
The broken lines of uneven length show the display screen
and form no part of the claimed design.

(56) **References Cited**

U.S. PATENT DOCUMENTS

8,238,666 B2 * 8/2012 Besley G06K 9/6204
382/203
D713,417 S * 9/2014 Daniel D14/492
D741,893 S * 10/2015 Ahn D14/486

1 Claim, 9 Drawing Sheets



(56)

References Cited

U.S. PATENT DOCUMENTS

D780,804 S * 3/2017 Cho D14/489
D785,672 S * 5/2017 Keim D14/489
D786,925 S * 5/2017 Park D14/488
D832,885 S * 11/2018 Khandelwal D14/488
D837,822 S * 1/2019 Belg D14/487
D851,125 S * 6/2019 Belg D14/492
2007/0050726 A1 * 3/2007 Wakai G06F 3/0486
715/769

OTHER PUBLICATIONS

“YouTube Gaming Icon” May 6, 2018, posted at brandsoftheworld.com, [site visited Dec. 11, 2019]. <https://www.brandsoftheworld.com/logo/youtube-gaming-icon> (Year: 2018).*

* cited by examiner

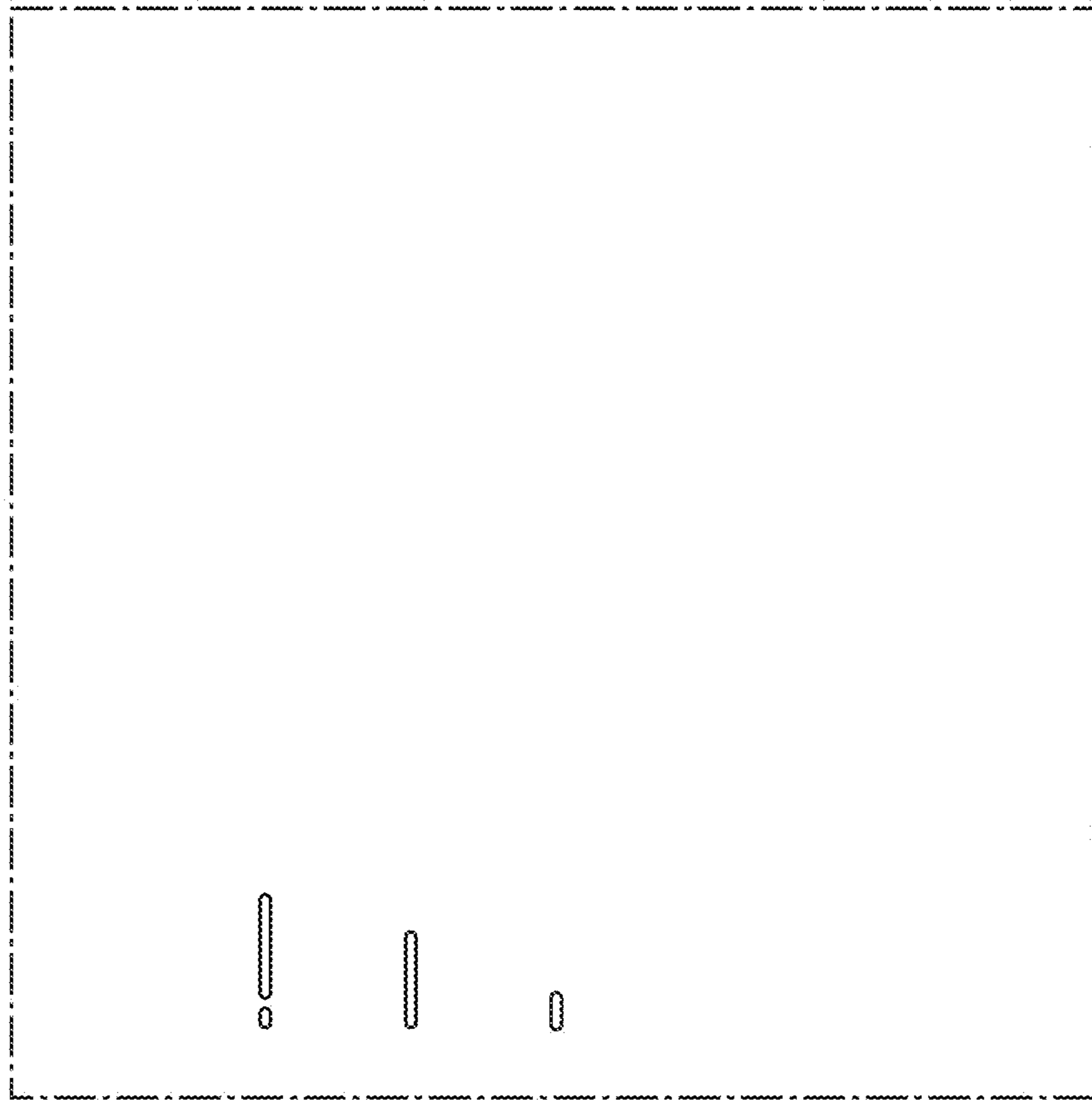


FIG. 1

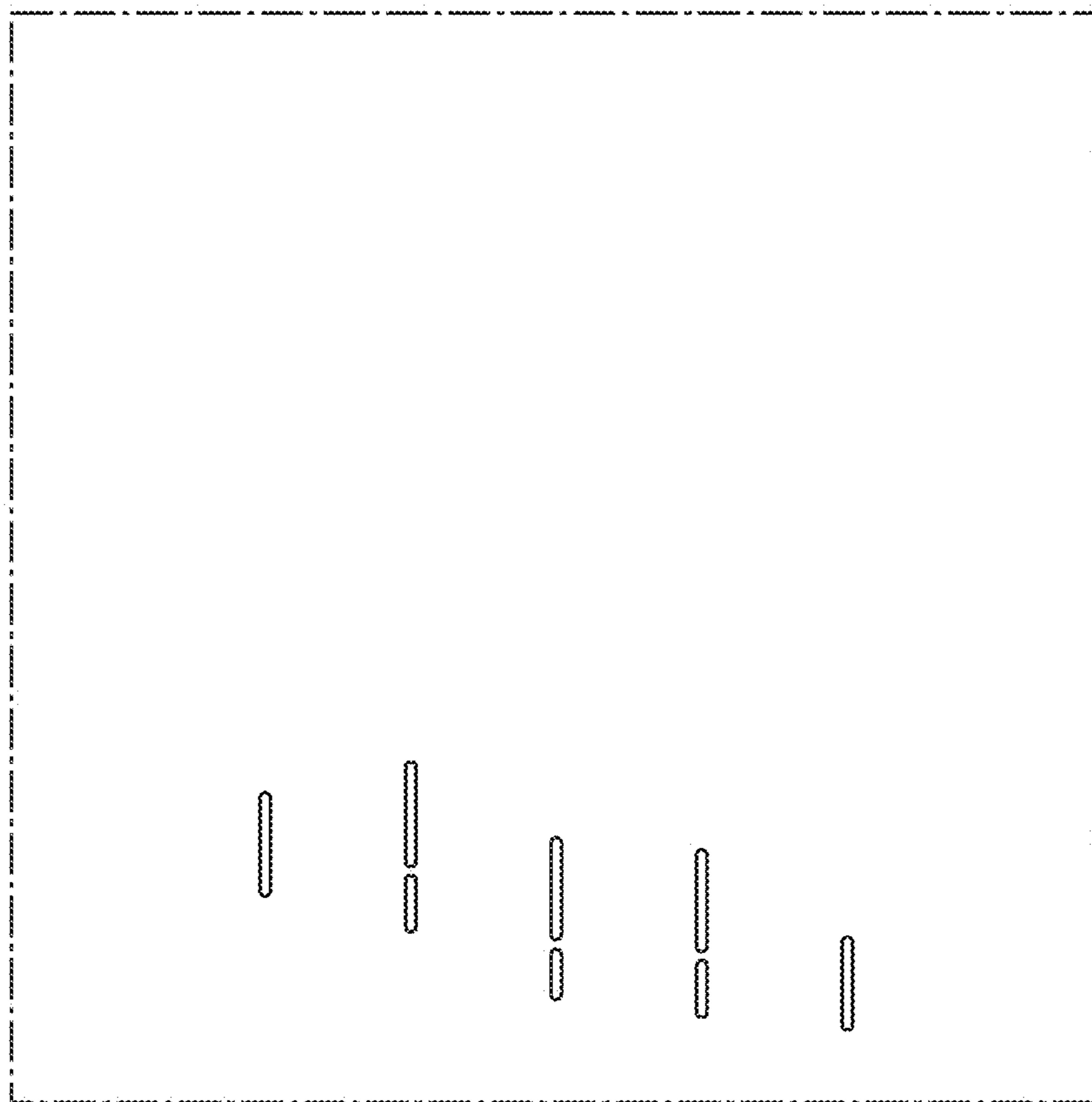


FIG. 2

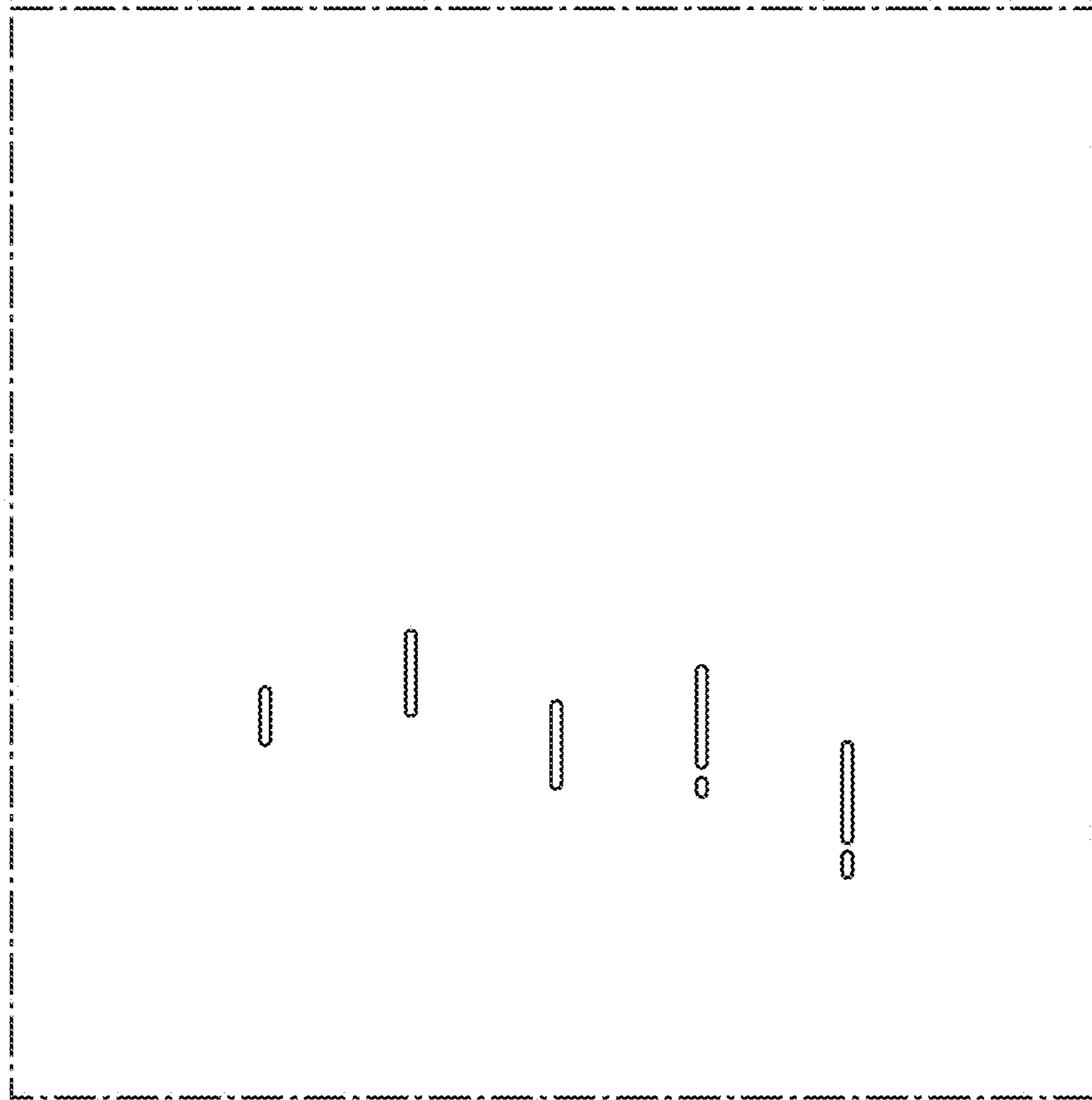


FIG. 3

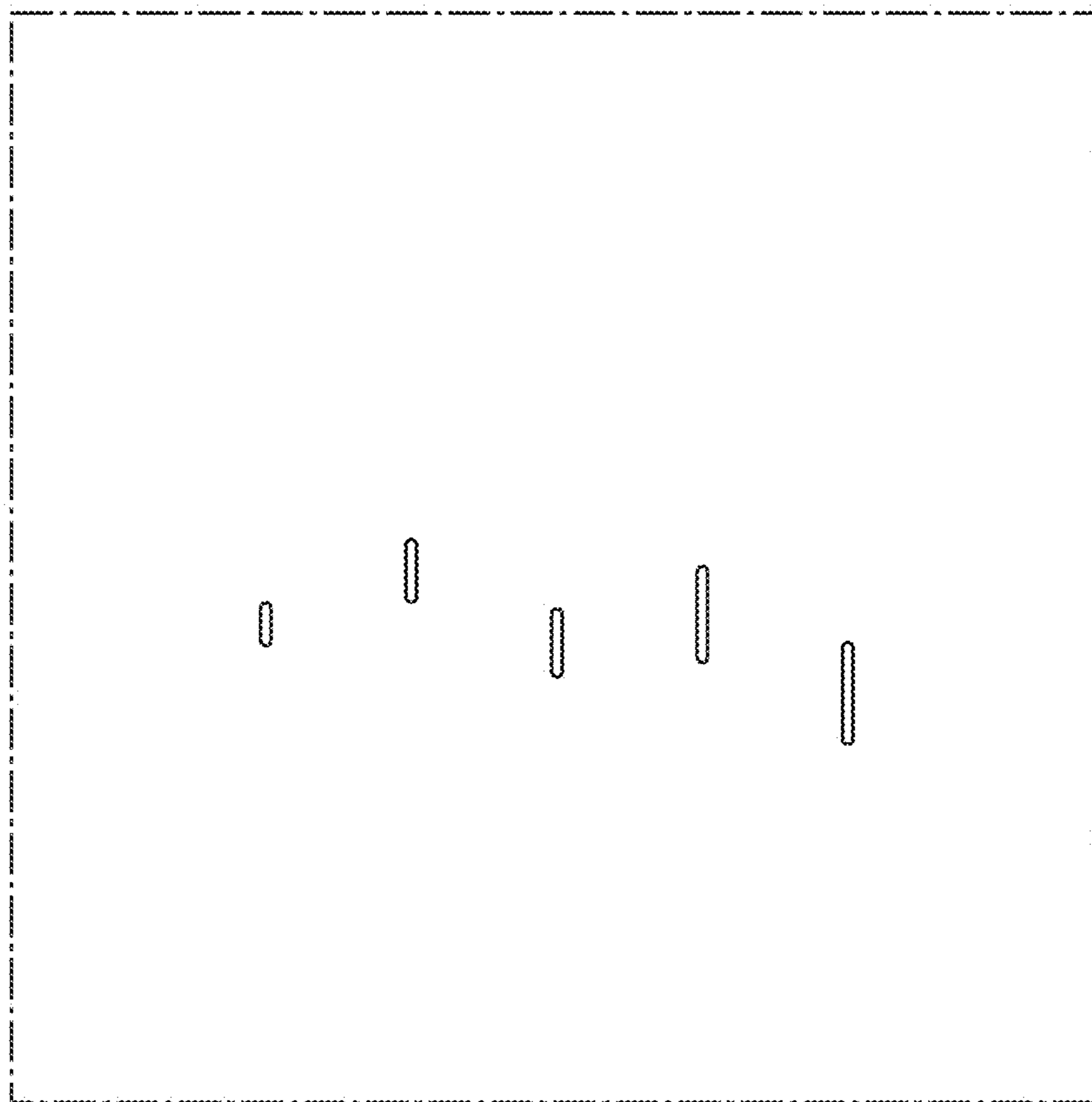


FIG. 4

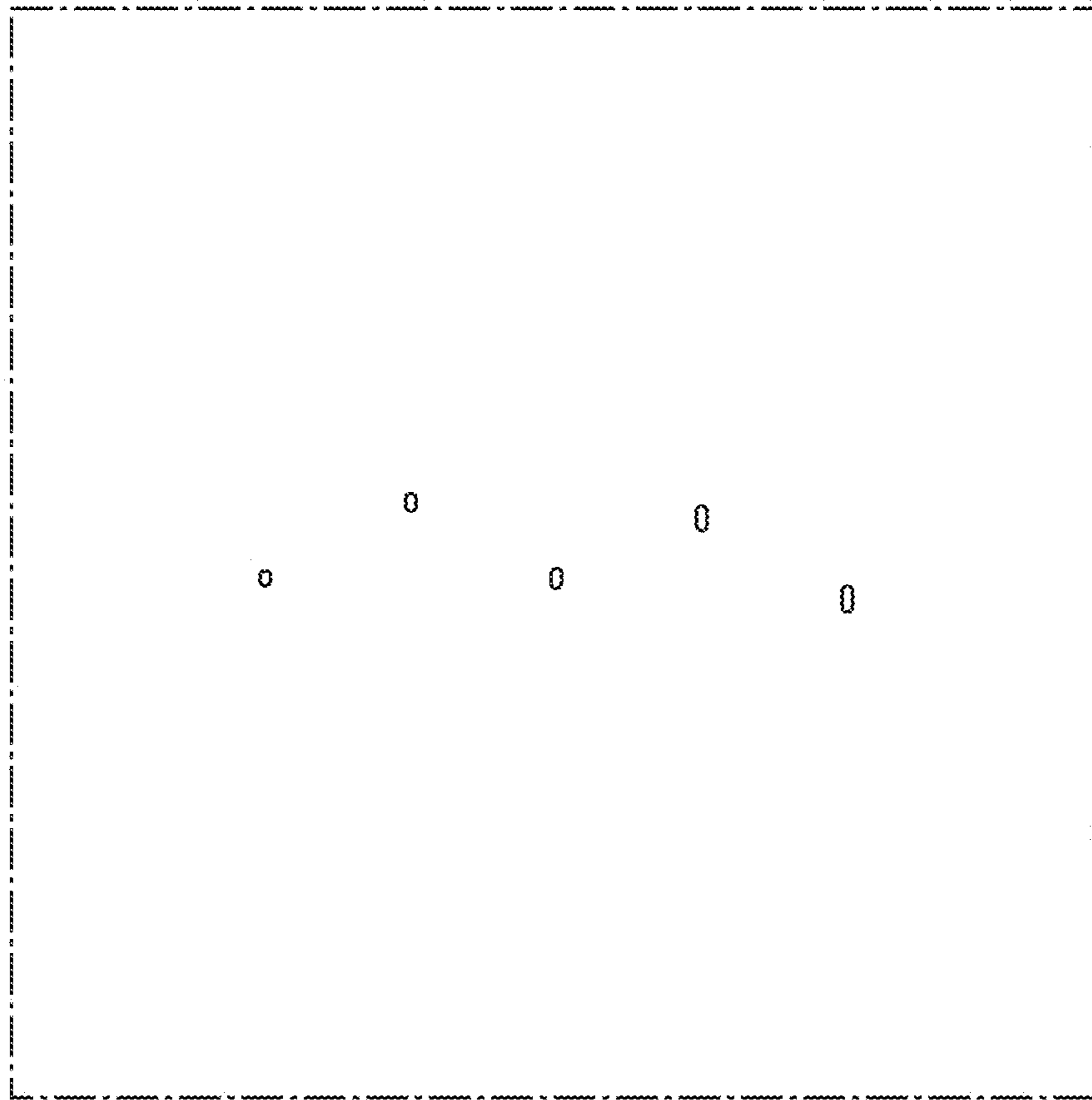


FIG. 5

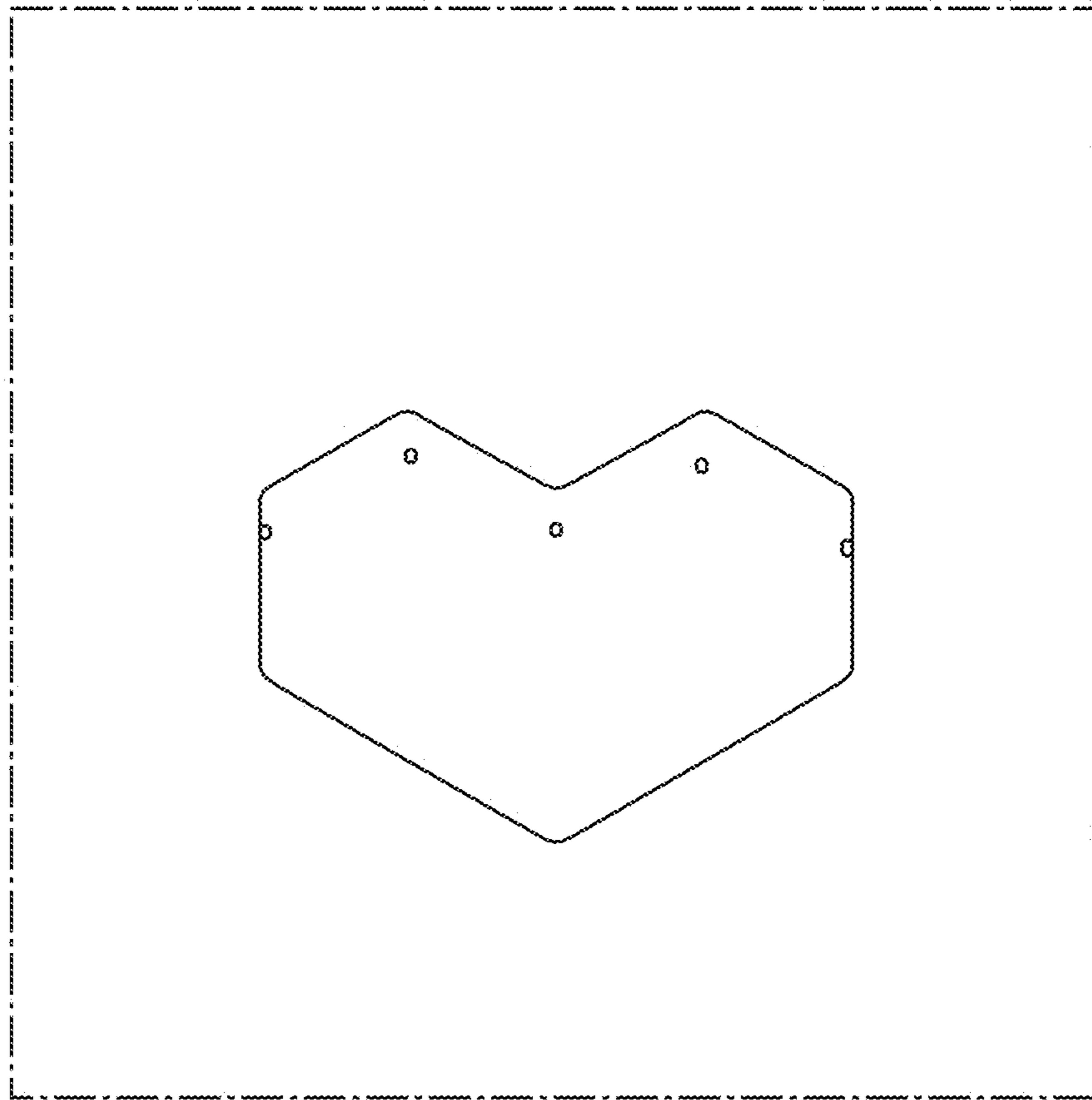


FIG. 6

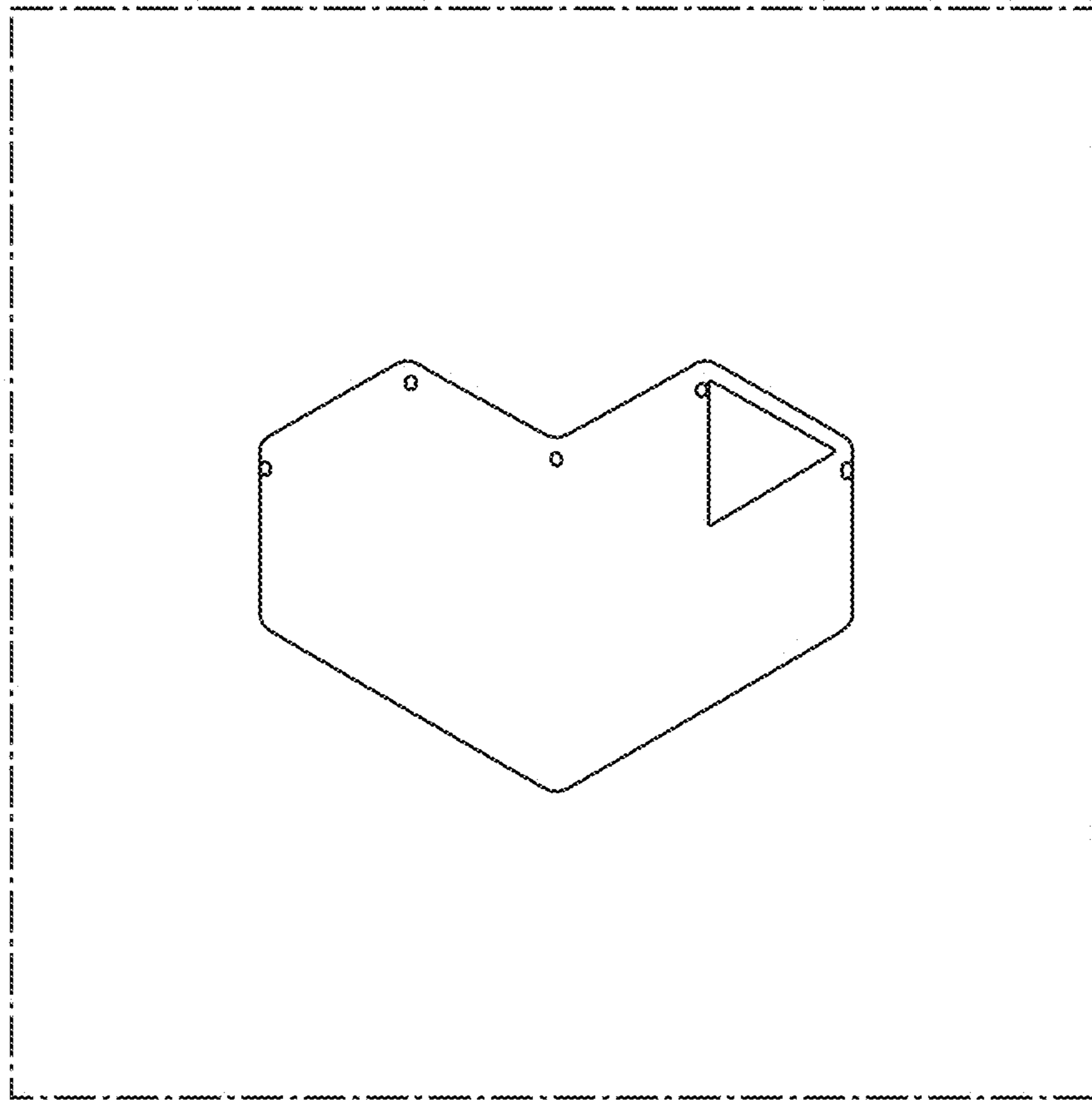


FIG. 7

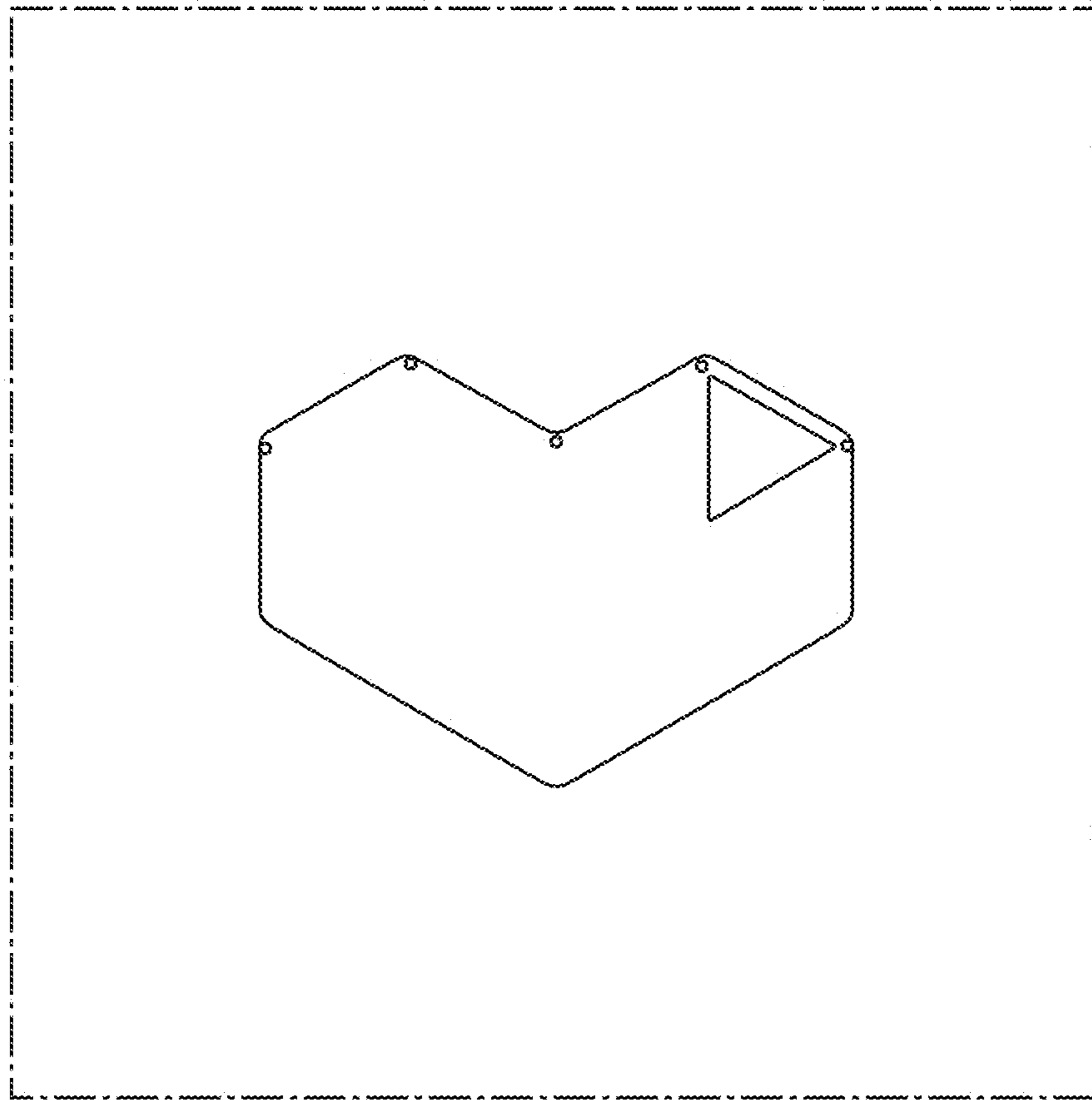


FIG. 8

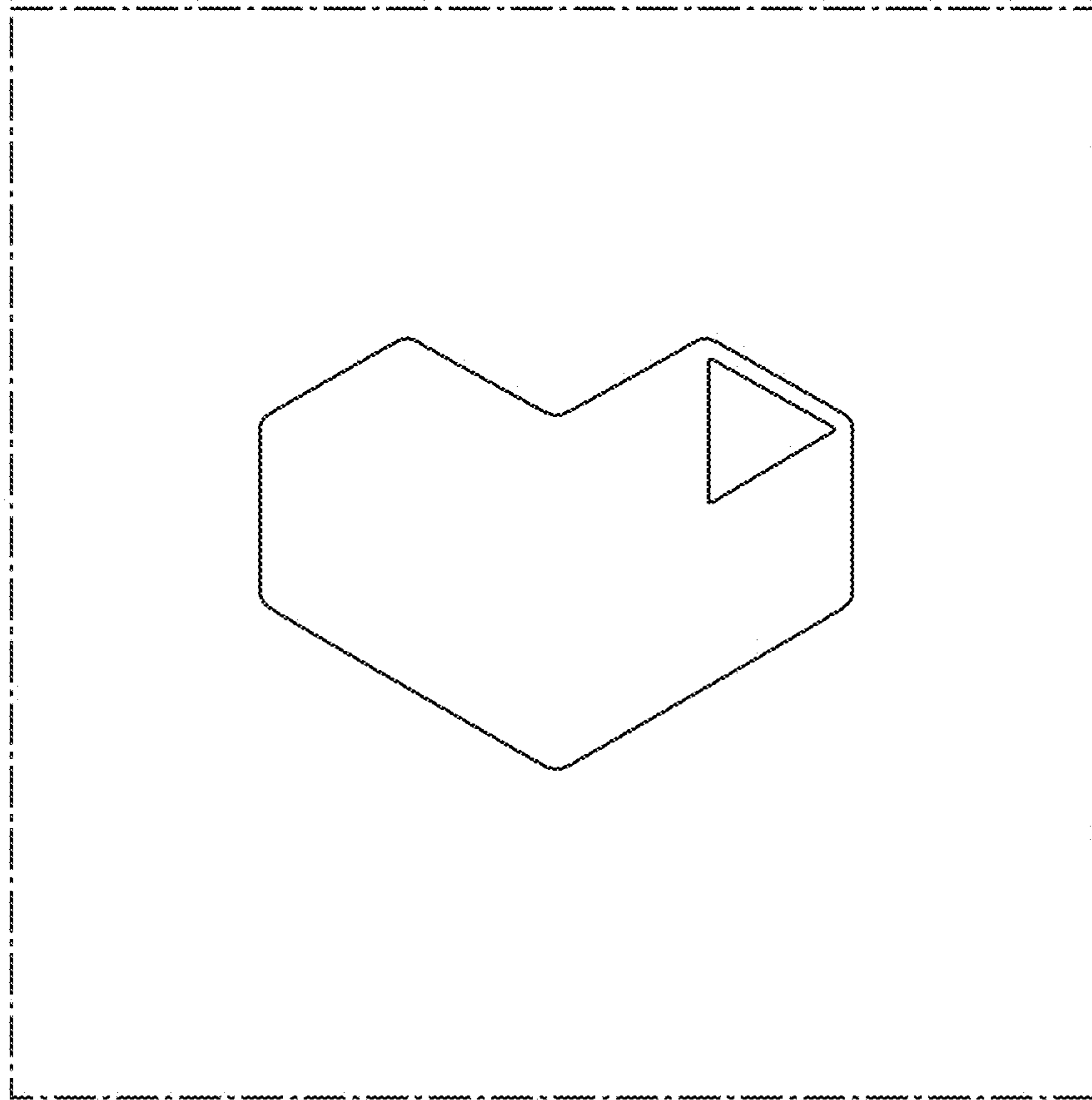


FIG. 9