



US00D87772S

(12) **United States Design Patent** (10) **Patent No.:** **US D877,772 S**
Efimov et al. (45) **Date of Patent:** **** Mar. 10, 2020**

(54) **DISPLAY SCREEN OR PORTION THEREOF WITH GRAPHICAL USER INTERFACE**

(71) Applicant: **Harman International Industries, Incorporated**, Northridge, CA (US)

(72) Inventors: **Alexander Efimov**, Shenzhen (CN); **Dishan Song**, Shenzhen (CN)

(73) Assignee: **Harman International Industries, Incorporated**, Northridge, CA (US)

(**) Term: **15 Years**

(21) Appl. No.: **29/653,023**

(22) Filed: **Jun. 12, 2018**

(51) **LOC (12) Cl.** **14-04**

(52) **U.S. Cl.**
USPC **D14/489**

(58) **Field of Classification Search**
USPC D14/485-95
CPC .. G06F 3/0481; G06F 3/0482; G06F 3/04812;
G06F 3/04817; G06F 3/0484; G06F
3/0485; G06F 3/048; G06F 3/0487; G06F
3/0488; G06F 3/04883; G06F 3/04886;
G06F 3/0489

See application file for complete search history.

(56) **References Cited**

U.S. PATENT DOCUMENTS

D598,029 S *	8/2009	Lara	D14/492
D714,326 S *	9/2014	Wood	D14/485
D714,328 S *	9/2014	Wood	D14/485
D725,126 S *	3/2015	Hosaka	D14/485
D746,308 S *	12/2015	Ta	D14/485
D760,777 S *	7/2016	Lee	D14/489
D762,719 S *	8/2016	Lee	D14/489
D769,287 S *	10/2016	Lirov	D14/486
D779,510 S *	2/2017	Li	D14/485
D787,547 S *	5/2017	Basargin	D14/488

D788,807 S *	6/2017	Broughton	D14/486
D792,458 S *	7/2017	Chaudhri	D14/489
D800,766 S *	10/2017	Park	D14/489
D801,382 S *	10/2017	Seo	D14/489
D816,113 S *	4/2018	Schwartz	D14/489
D822,705 S *	7/2018	Antih	D14/486
D835,665 S *	12/2018	Kimura	D14/488
10,185,465 B1 *	1/2019	Capano	G06F 3/0482
D845,341 S *	4/2019	Yoon	D14/489
D848,474 S *	5/2019	Baumez	D14/489

(Continued)

OTHER PUBLICATIONS

Trademark application serial No. 73502341 (Year: 1984).*

(Continued)

Primary Examiner — Melanie H Tung

(74) *Attorney, Agent, or Firm* — Plumsea Law Group, LLC

(57) **CLAIM**

The ornamental design for a display screen or portion thereof with graphical user interface, as shown and described.

DESCRIPTION

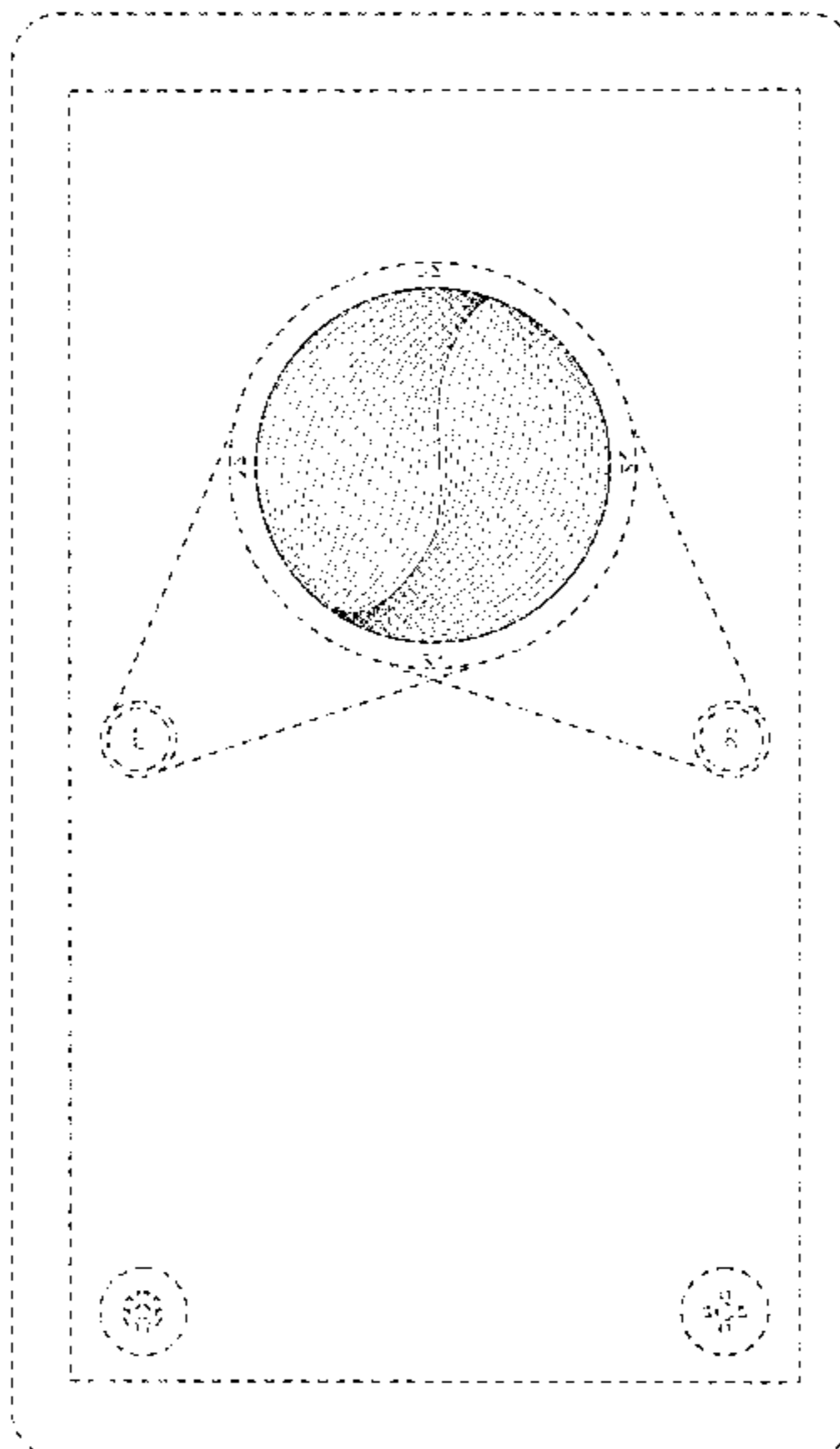
FIG. 1 is a front view of a display screen or portion thereof with graphical user interface, showing the new design;

FIG. 2 is a front view of another embodiment of a display screen or portion thereof with graphical user interface, showing the new design; and,

FIG. 3 is a front view of another embodiment of a display screen or portion thereof with graphical user interface, showing the new design.

The broken line showing of the display screen or portion thereof forms no part of the claimed design. The broken line showing of portions of the graphical user interface forms no part of the claimed design. The stippled shading within the circle forms part of the claimed design.

1 Claim, 3 Drawing Sheets



(56)

References Cited

U.S. PATENT DOCUMENTS

2008/0195980 A1* 8/2008 Morris G06F 3/0481
715/864
2018/0059908 A1* 3/2018 De Belen G06F 3/04812
2018/0067631 A1* 3/2018 Thiercelin G06F 3/04845

OTHER PUBLICATIONS

Trademark application serial No. 75729182 (Year: 1999).*
Trademark application serial No. 79114511 (Year: 2012).*
Trademark application serial No. 86067475 (Year: 2013).*
Trademark application serial No. 86420935 (Year: 2014).*
Trademark application serial No. 87609871 (Year: 2017).*

* cited by examiner

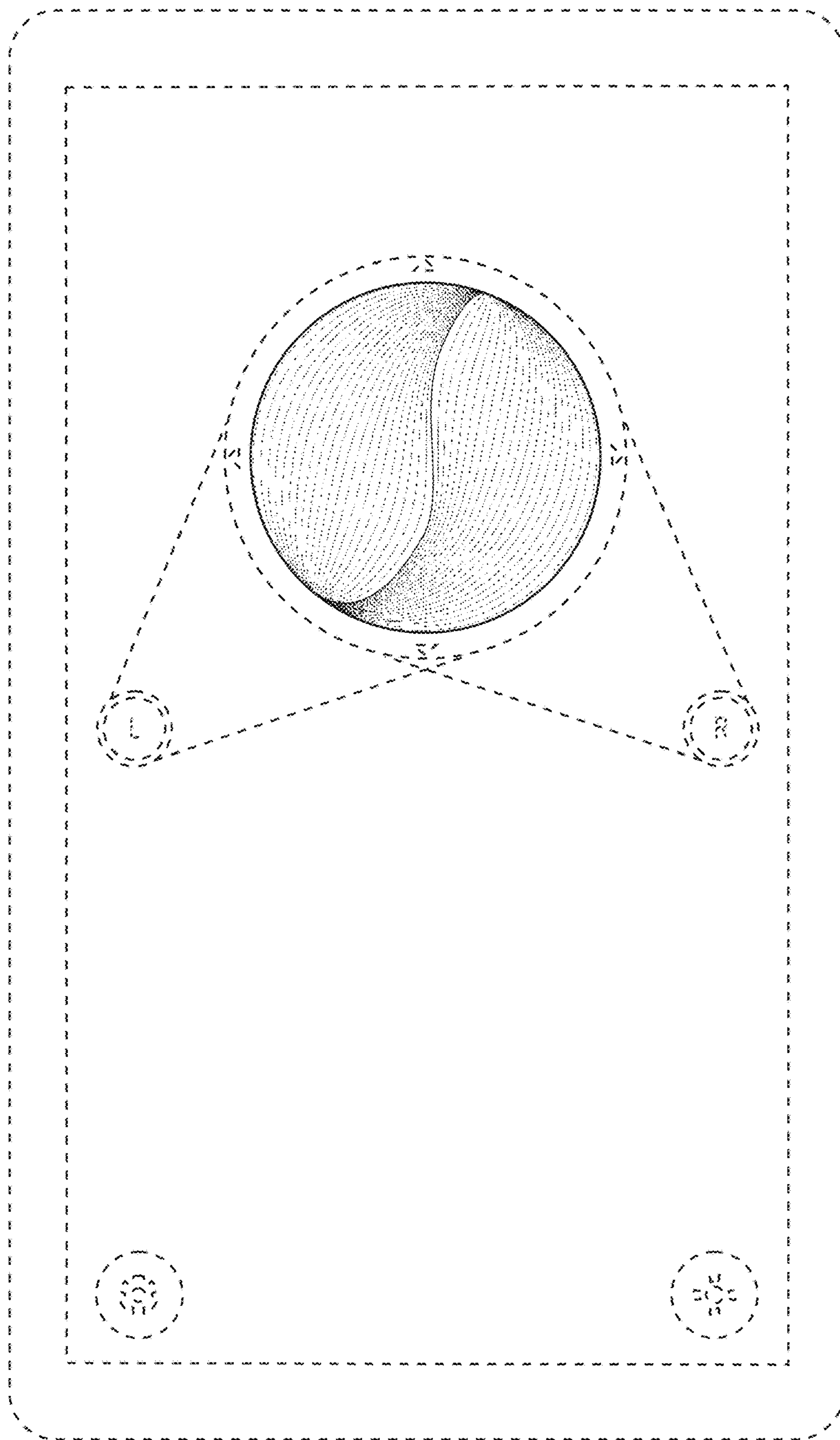


FIG. 1

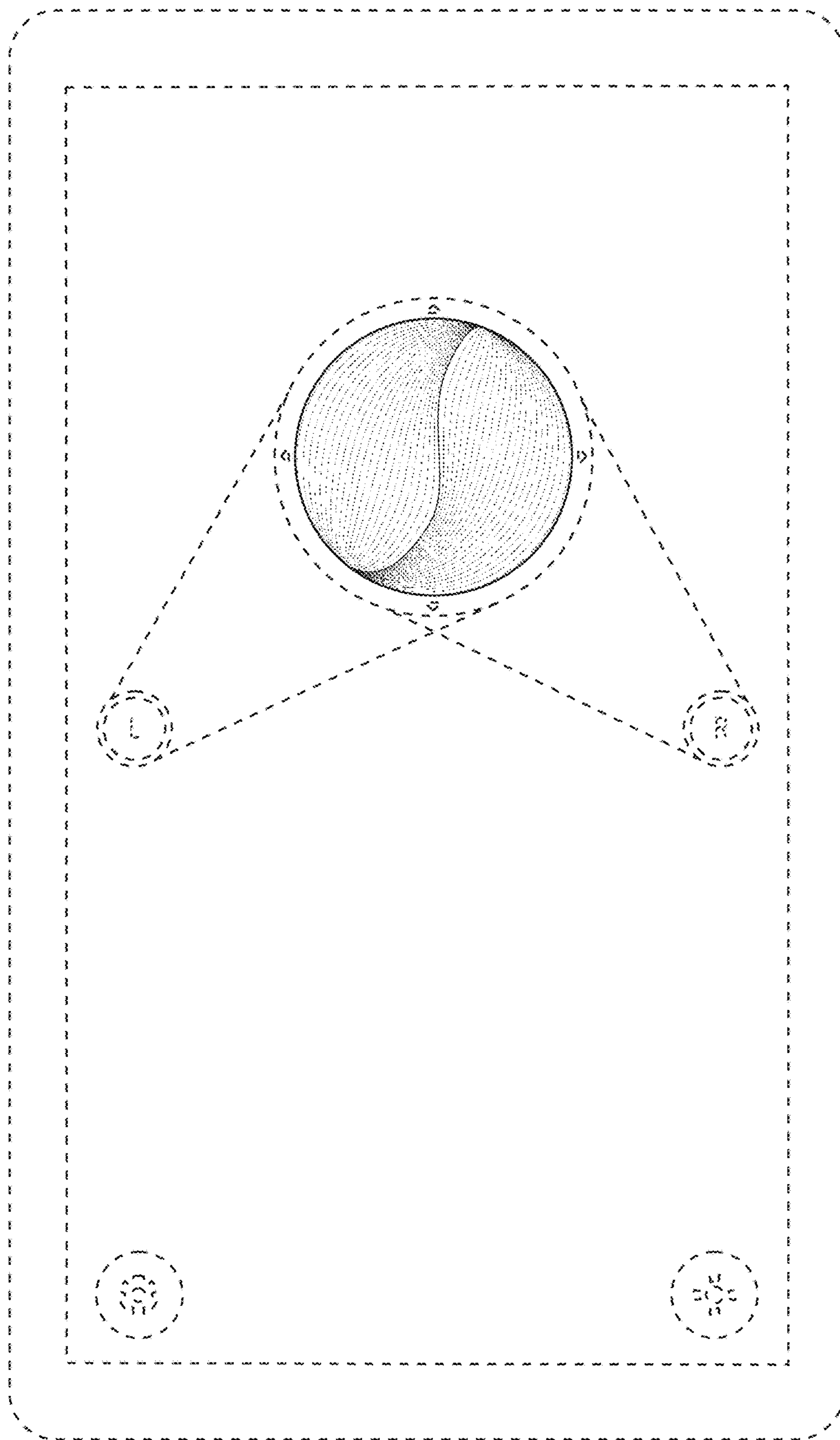


FIG. 2

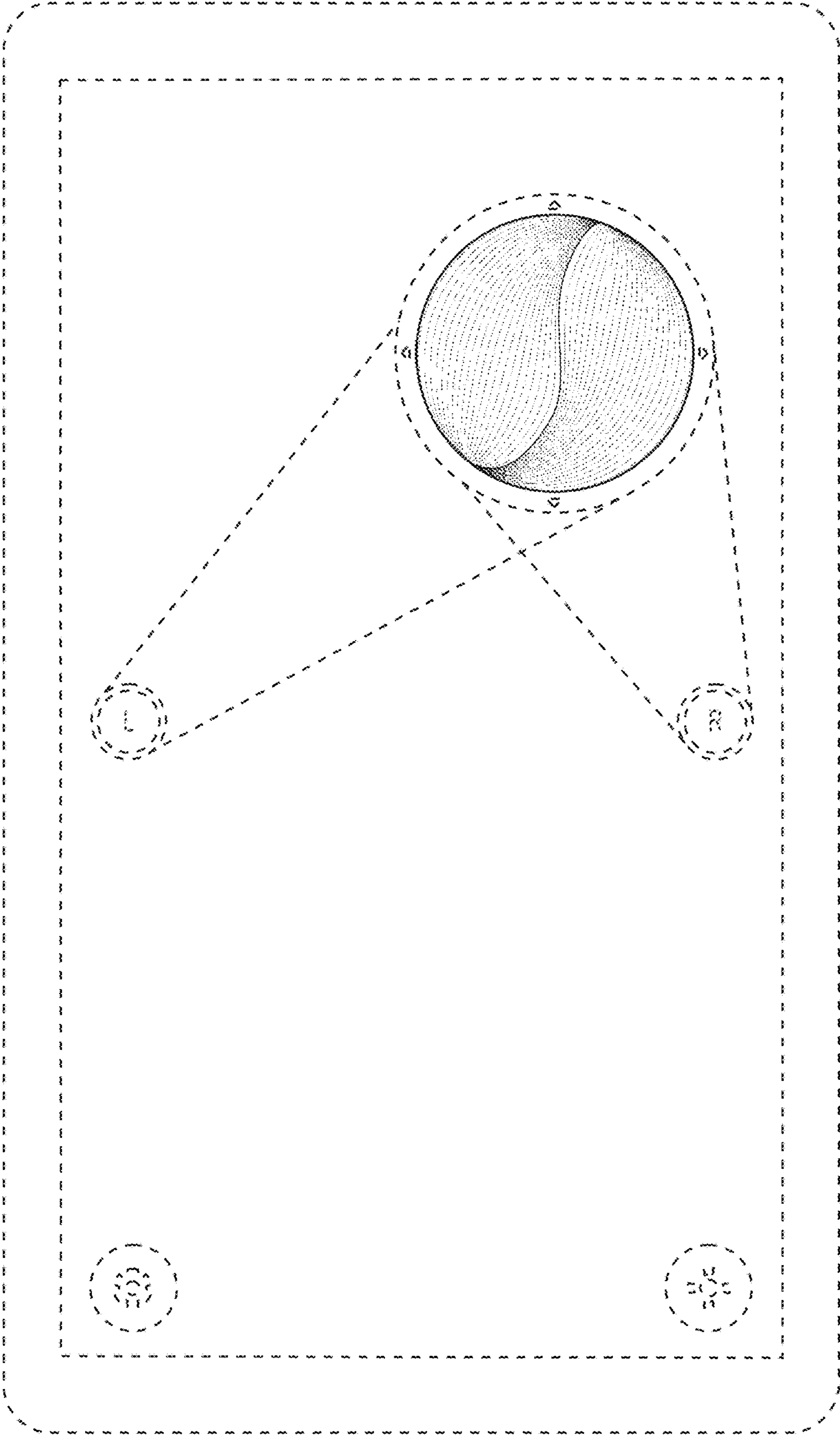


FIG. 3