



US00D87771S

(12) **United States Design Patent**
Zurmoehle et al.

(10) **Patent No.:** **US D877,771 S**
(45) **Date of Patent:** **** Mar. 10, 2020**

(54) **DISPLAY PANEL OR PORTION THEREOF WITH A TRANSITIONAL MIXED REALITY GRAPHICAL USER INTERFACE**

(71) Applicant: **MAGIC LEAP, INC.**, Plantation, FL (US)

(72) Inventors: **Tim Zurmoehle**, Fort Lauderdale, FL (US); **Andrea Isabel Montoya**, Plantation, FL (US); **Lorena Pazmino**, Wilton Manors, FL (US)

(73) Assignee: **MAGIC LEAP, INC.**, Plantation, FL (US)

(**) Term: **15 Years**

(21) Appl. No.: **29/635,373**

(22) Filed: **Jan. 30, 2018**

(51) **LOC (12) Cl.** **14-04**

(52) **U.S. Cl.**
USPC **D14/489**

(58) **Field of Classification Search**
USPC D14/485–495; 345/1.1, 1.2, 2.1–2.3, 3.1, 345/902; 715/763, 810, 836, 837, 846, 715/847, 977

(Continued)

(56) **References Cited**

U.S. PATENT DOCUMENTS

D550,227 S * 9/2007 Sato D14/485
D769,930 S * 10/2016 Agrawal D14/488

(Continued)

OTHER PUBLICATIONS

“Vote, Rewards & Badges.” iconfinder.com. Added Jul. 1, 2016. Accessed Oct. 23, 2019. Available online at URL: <https://www.iconfinder.com/iconsets/vote-reward-badges-3> (Year: 2016).*

(Continued)

Primary Examiner — Cathron C Brooks
Assistant Examiner — Christian P. McLean

(74) *Attorney, Agent, or Firm* — Vista IP Law Group LLP

(57) **CLAIM**

The ornamental design for a display panel or portion thereof with a transitional mixed reality graphical user interface, as shown and described.

DESCRIPTION

FIG. 1 is a front view of a display panel or portion thereof with a transitional mixed reality graphical user interface showing a first image in a sequence of a first embodiment; FIG. 2 is a front view of a second image in the sequence of the first embodiment;

FIG. 3 is a front view of a third image in the sequence of the first embodiment;

FIG. 4 is a front view of a display panel or portion thereof with a transitional mixed reality graphical user interface showing a first image in a sequence of a second embodiment;

FIG. 5 is a front view of a second image in the sequence of the second embodiment;

FIG. 6 is a front view of a third image in the sequence of the second embodiment;

FIG. 7 is a front view of a display panel or portion thereof with a transitional mixed reality graphical user interface showing a first image in a sequence of a third embodiment; FIG. 8 is a front view of a second image in the sequence of the third embodiment;

FIG. 9 is a front view of a third image in the sequence of the third embodiment;

FIG. 10 is a front view of a display panel or portion thereof with a transitional mixed reality graphical user interface showing a first image in a sequence of a fourth embodiment; FIG. 11 is a front view of a second image in the sequence of the fourth embodiment;

FIG. 12 is a front view of a third image in the sequence of the fourth embodiment;

FIG. 13 is a front view of a display panel or portion thereof with a transitional mixed reality graphical user interface showing a first image in a sequence of a fifth embodiment; FIG. 14 is a front view of a second image in the sequence of the fifth embodiment; and,

(Continued)

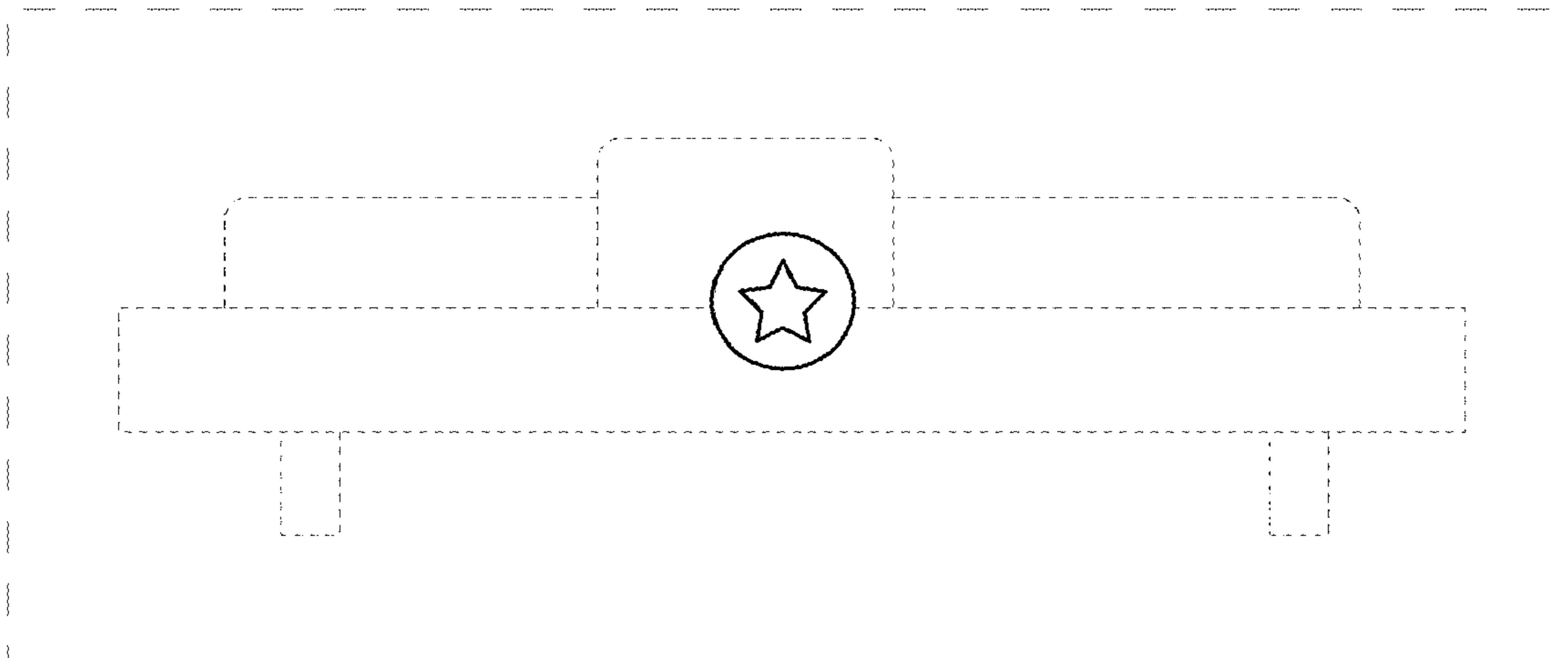


FIG. 15 is a front view of a third image in the sequence of the fifth embodiment.

The appearance of the image sequentially transitions between the images shown in FIGS. 1-3; FIGS. 4-6; FIGS. 7-9; FIGS. 10-12; and FIGS. 13-15. The process or period in which one image transitions to another forms no part of the claimed design.

The outermost broken line rectangle illustrates a display panel or portion thereof that forms no part of the claimed design. The remaining broken lines illustrate portions of the graphical user interface or a mixed reality environment, and form no part of the claimed design.

1 Claim, 5 Drawing Sheets

(58) **Field of Classification Search**

CPC G06F 3/048; G06F 3/0481; G06F 3/04812; G06F 3/04817; G06F 3/0482; G06F 3/0483; G06F 3/0484; G06F 3/04847; G06F 3/0485; G06F 3/04855; G06F 3/04886; G06Q 30/00; H03J 1/00; H03J 1/0008; H03J 1/0016; H03J 1/0025; H04N 5/00; H04N 5/08; H04N 5/14; H04N 5/222; H04N 5/225; H04N 5/232; H04N 5/445; H04N 5/44543; H04N 5/45; H04N 2005/44517; H04N 2005/44521; H04N 2005/44526; H04N 2005/4453; H04N 2005/44534; H04N 2005/44539; H04N 2005/44547; H04N 2005/44556; H04N 2005/4456; H04N 2005/44565;

H04N 2005/44569; H04N 2005/44573; H04N 21/00; H04N 21/234; H04N 21/431; H04N 21/4312; H04N 21/4314; H04N 21/4316

See application file for complete search history.

(56)

References Cited

U.S. PATENT DOCUMENTS

D788,138	S *	5/2017	Lee	D14/486
D792,444	S *	7/2017	Cho	D14/488
D794,670	S *	8/2017	Lee	D14/486
D802,607	S *	11/2017	Apodaca	D14/485
D803,860	S *	11/2017	Sugawara	D14/487
D821,438	S *	6/2018	Denis	D14/487
10,369,470	B2 *	8/2019	Gerhard	A63F 13/53
D858,567	S *	9/2019	Bacchus	D14/488
D859,427	S *	9/2019	Jeon	D14/485
D864,241	S *	10/2019	Miglucchi	D14/489
2005/0229102	A1 *	10/2005	Watson	G06F 3/0481 715/739
2014/0011584	A1 *	1/2014	Shin	G06F 3/048 463/31
2014/0223329	A1 *	8/2014	Falaki	G06F 13/00 715/747

OTHER PUBLICATIONS

“Star Icon Animation.” dribbble.com. Apr. 30, 2019. Accessed Oct. 23, 2019. Available online at URL: <https://dribbble.com/shots/6412492-star-icon-animation> (Year: 2019).*

* cited by examiner

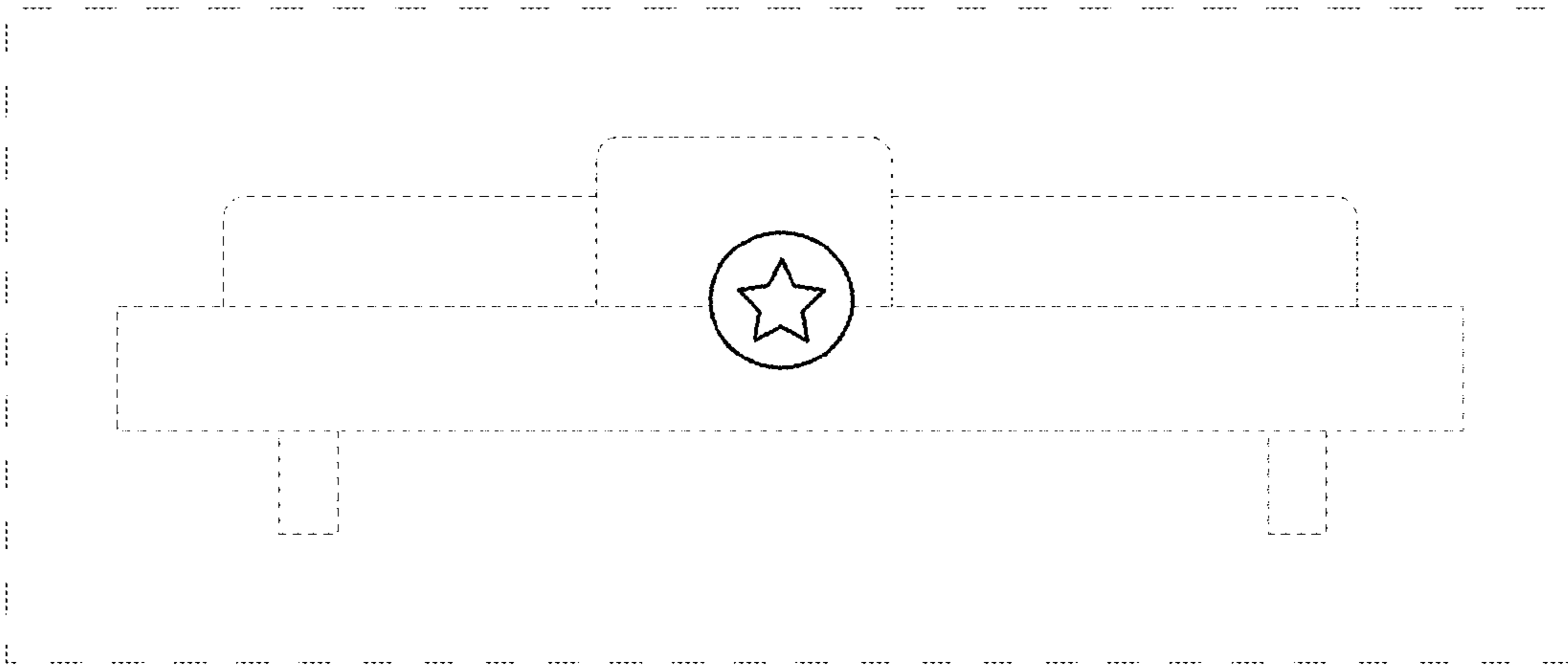


FIG. 1

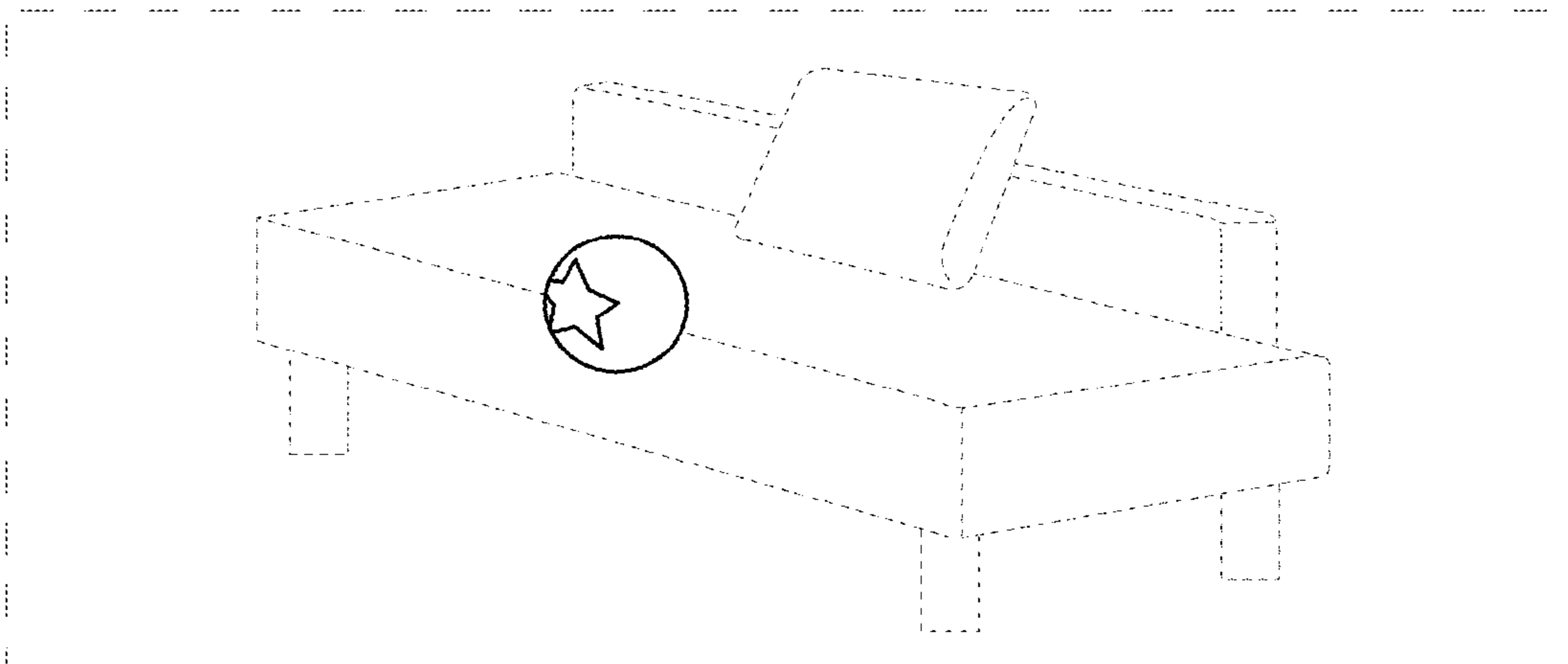


FIG. 2

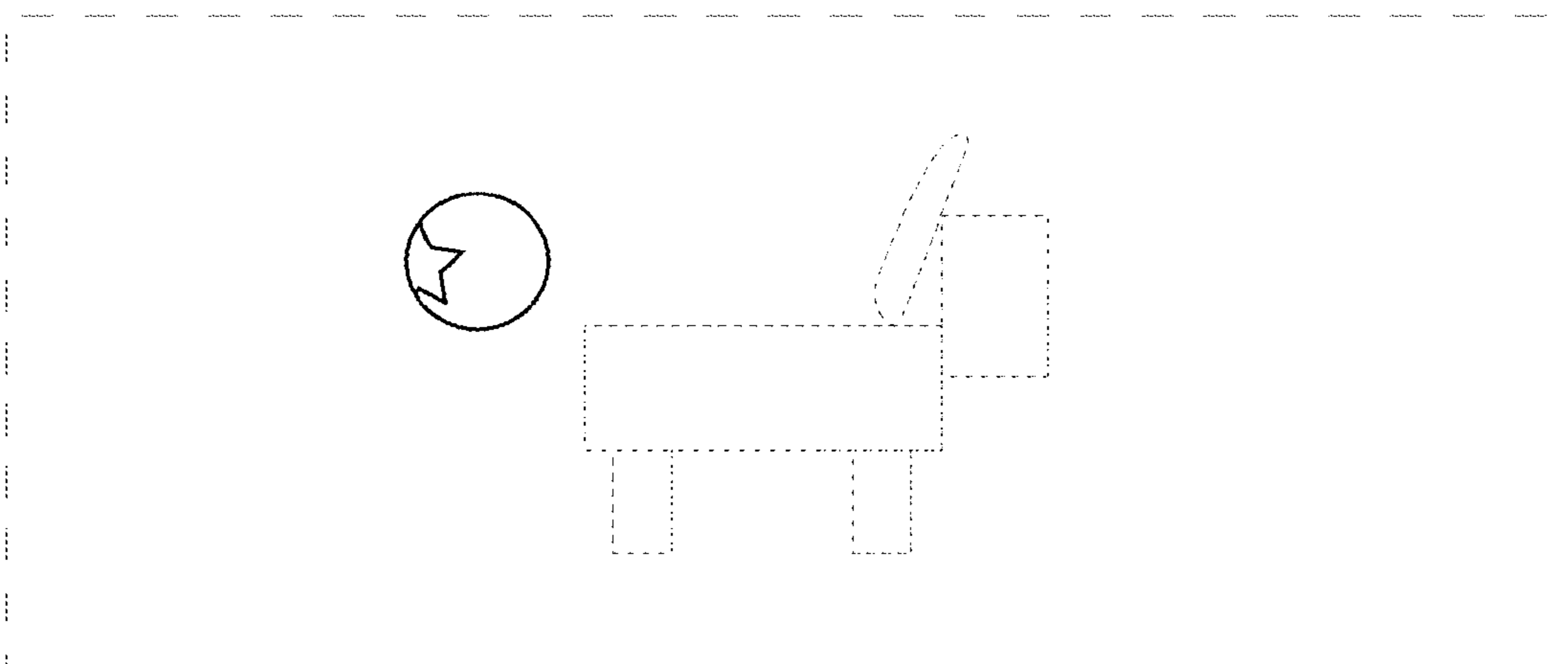


FIG. 3

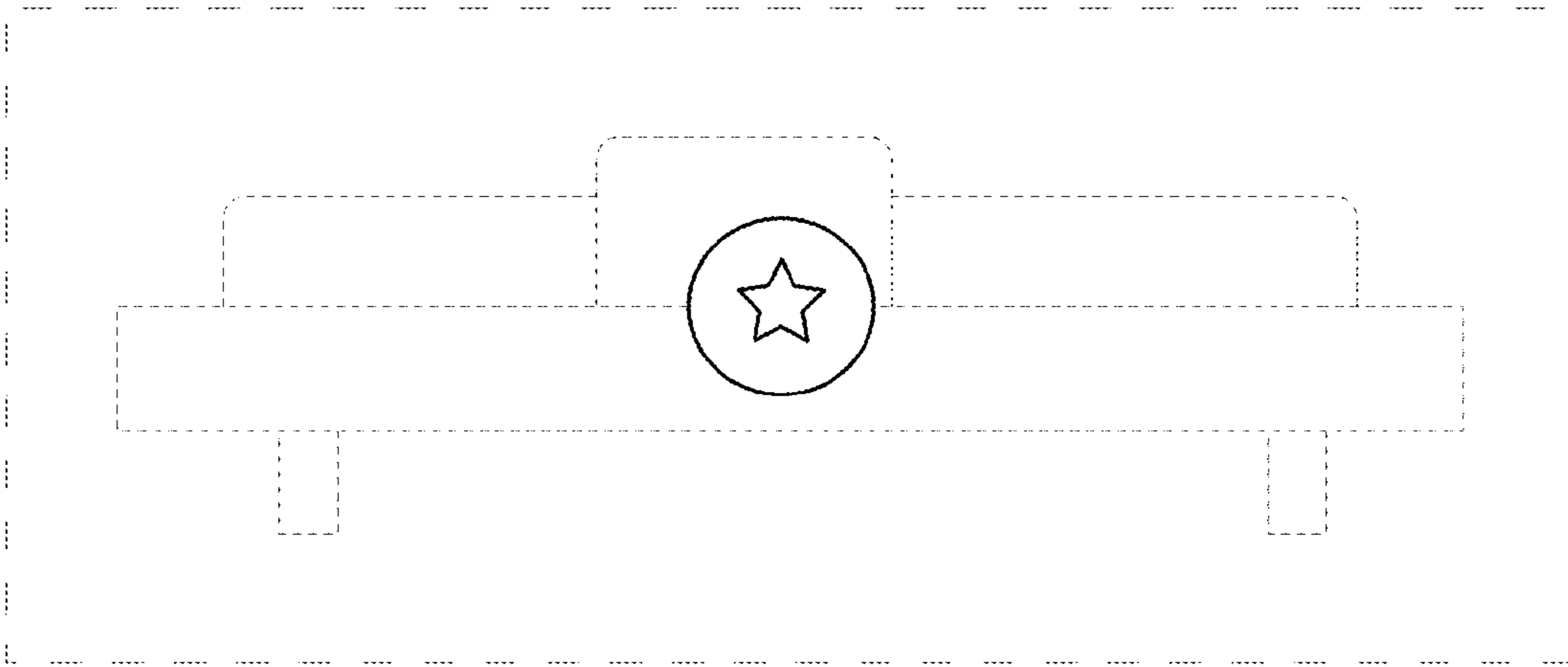


FIG. 4

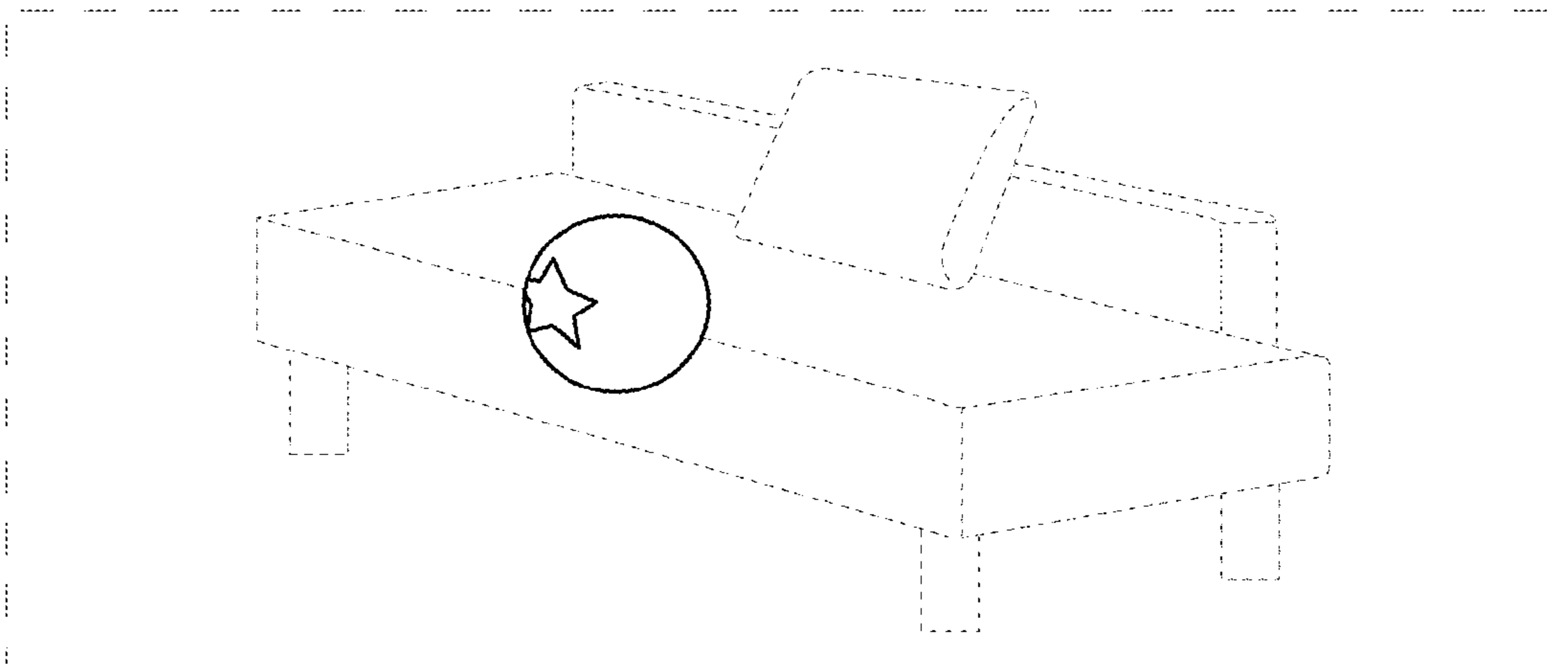


FIG. 5

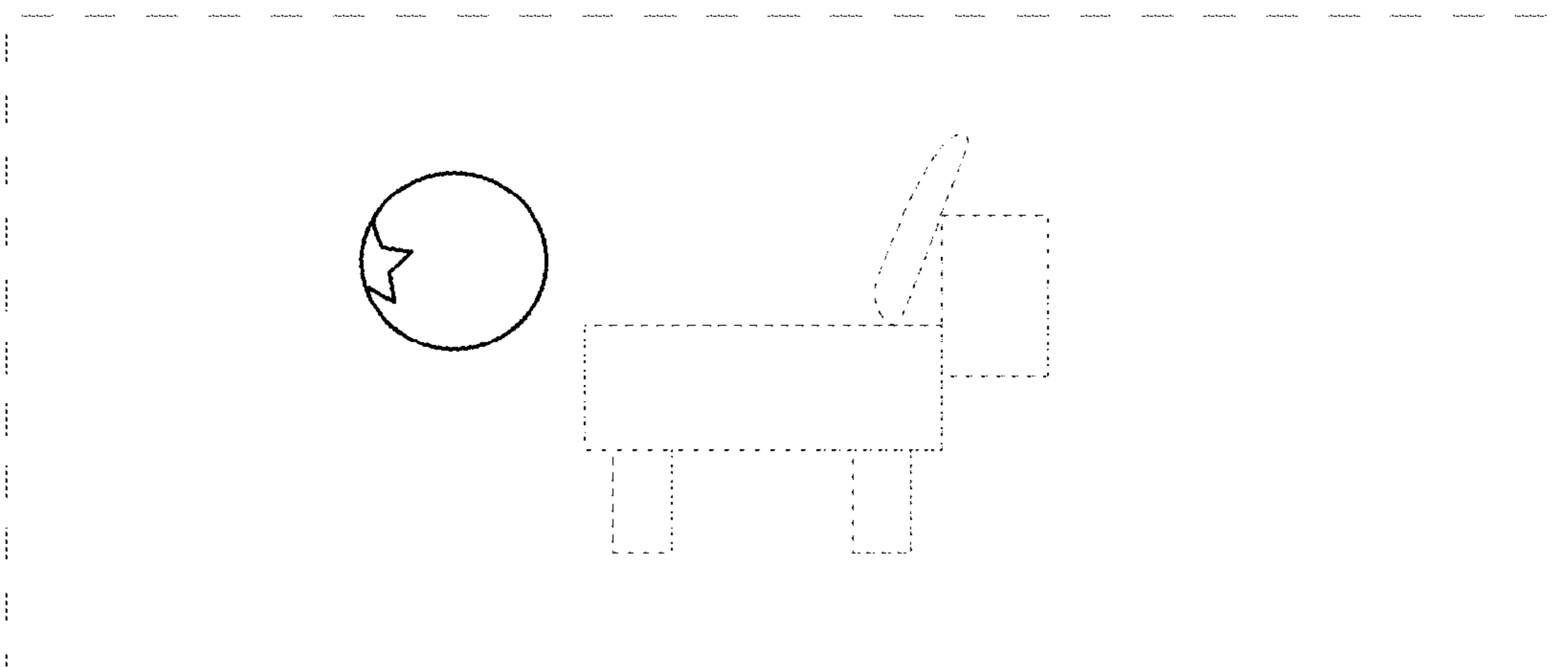


FIG. 6

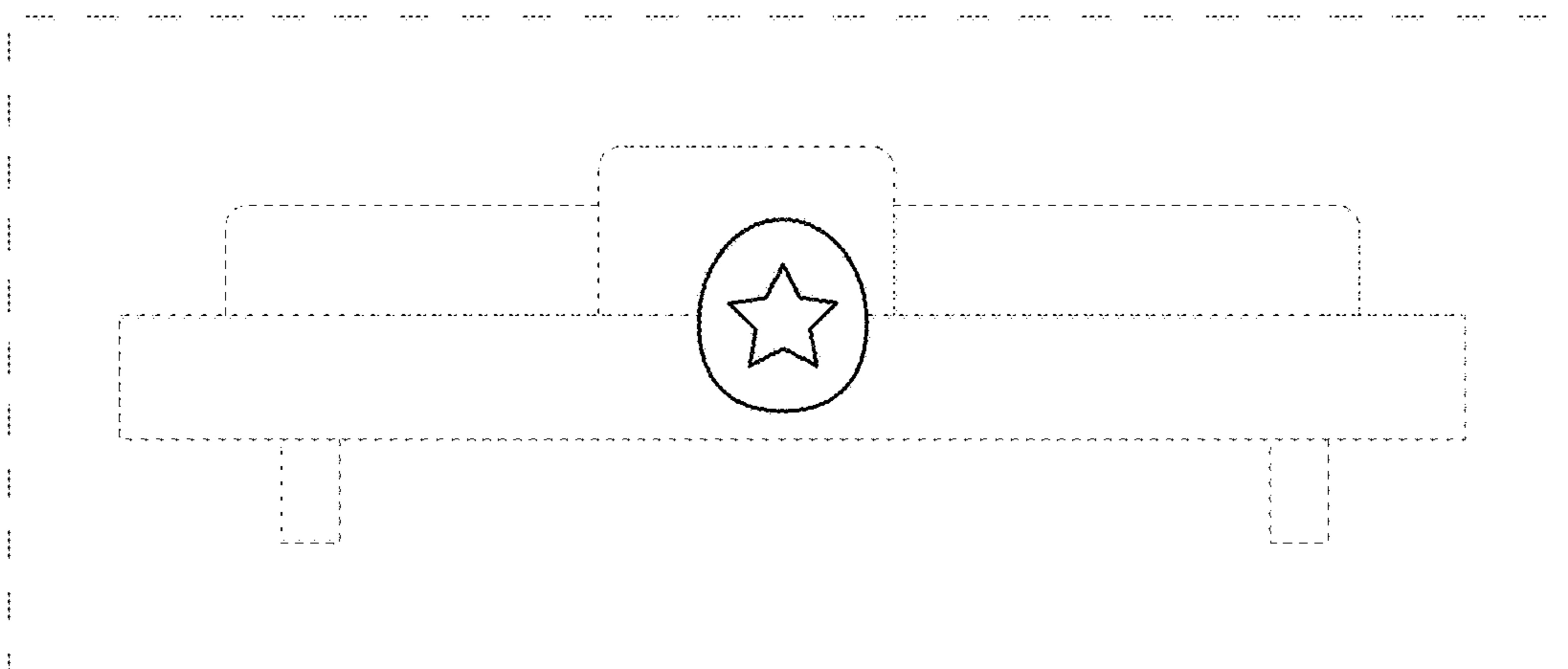


FIG. 7

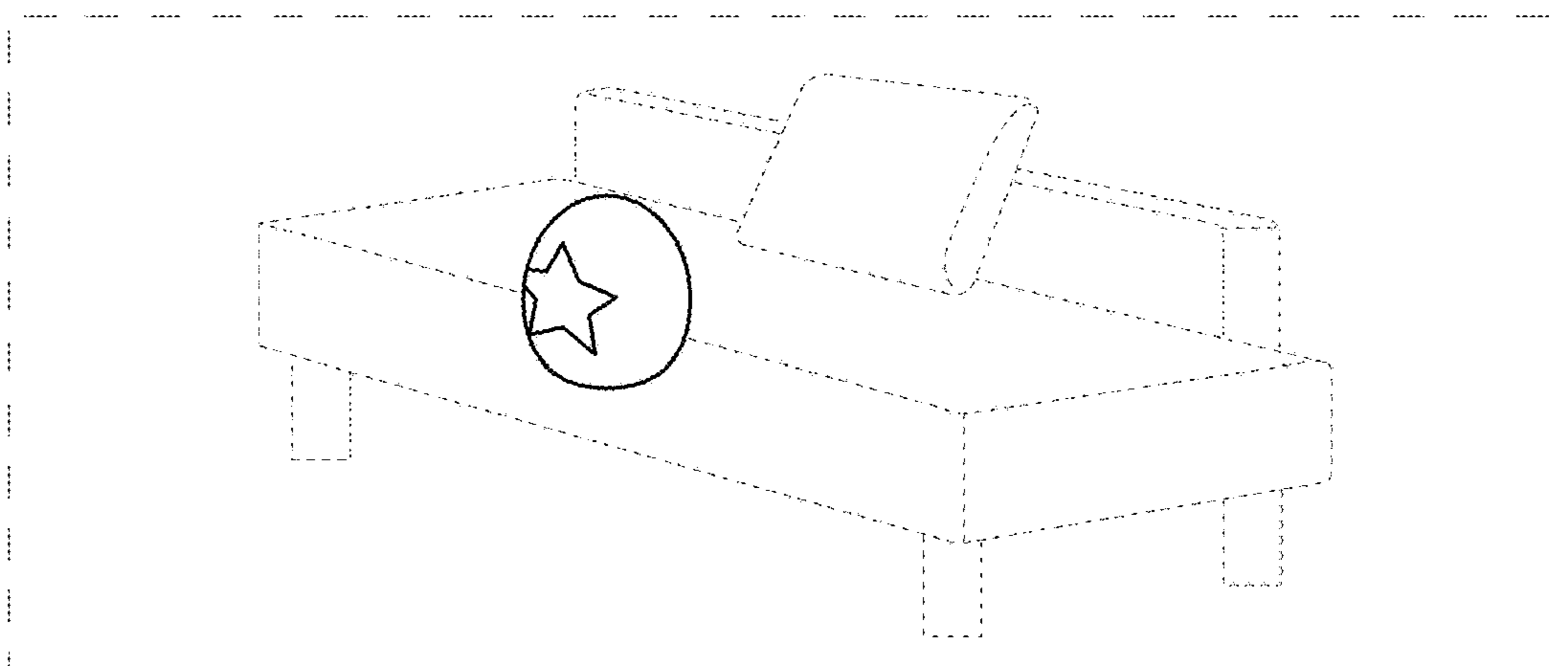


FIG. 8

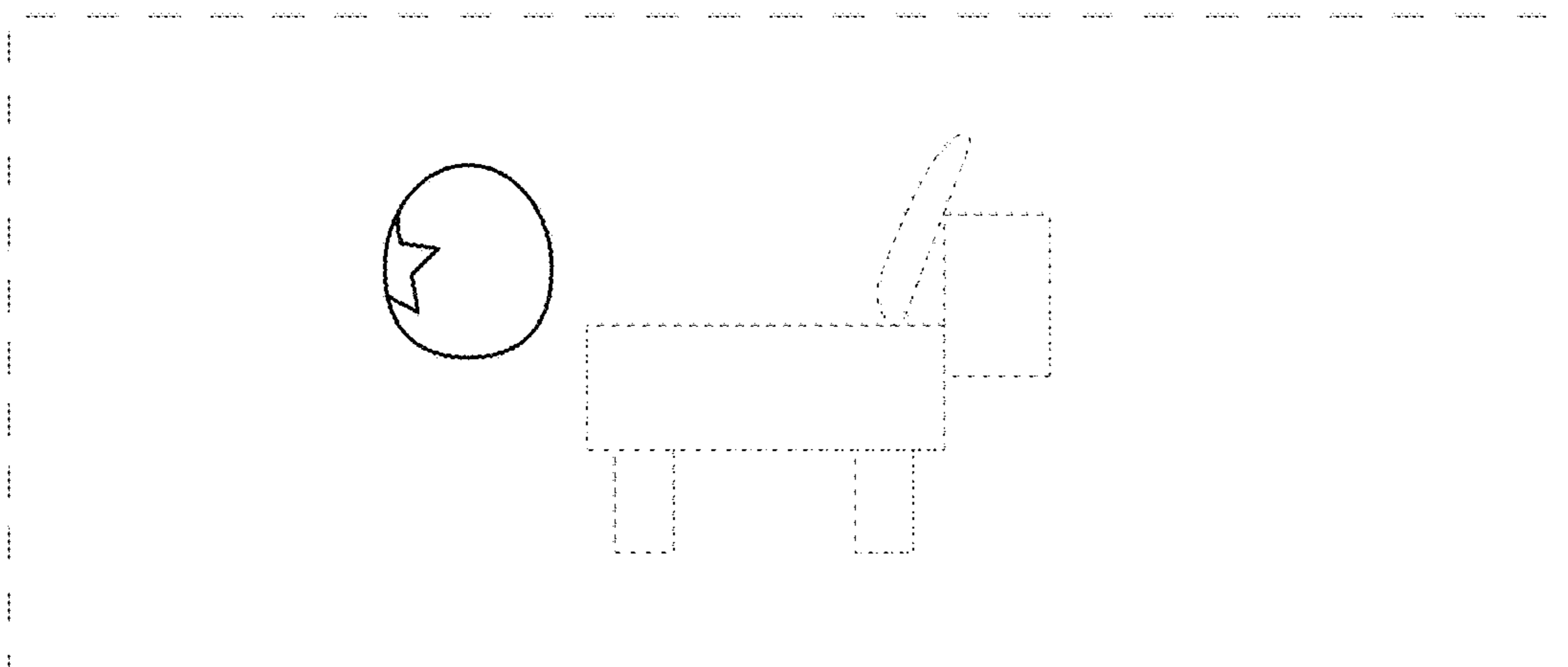


FIG. 9

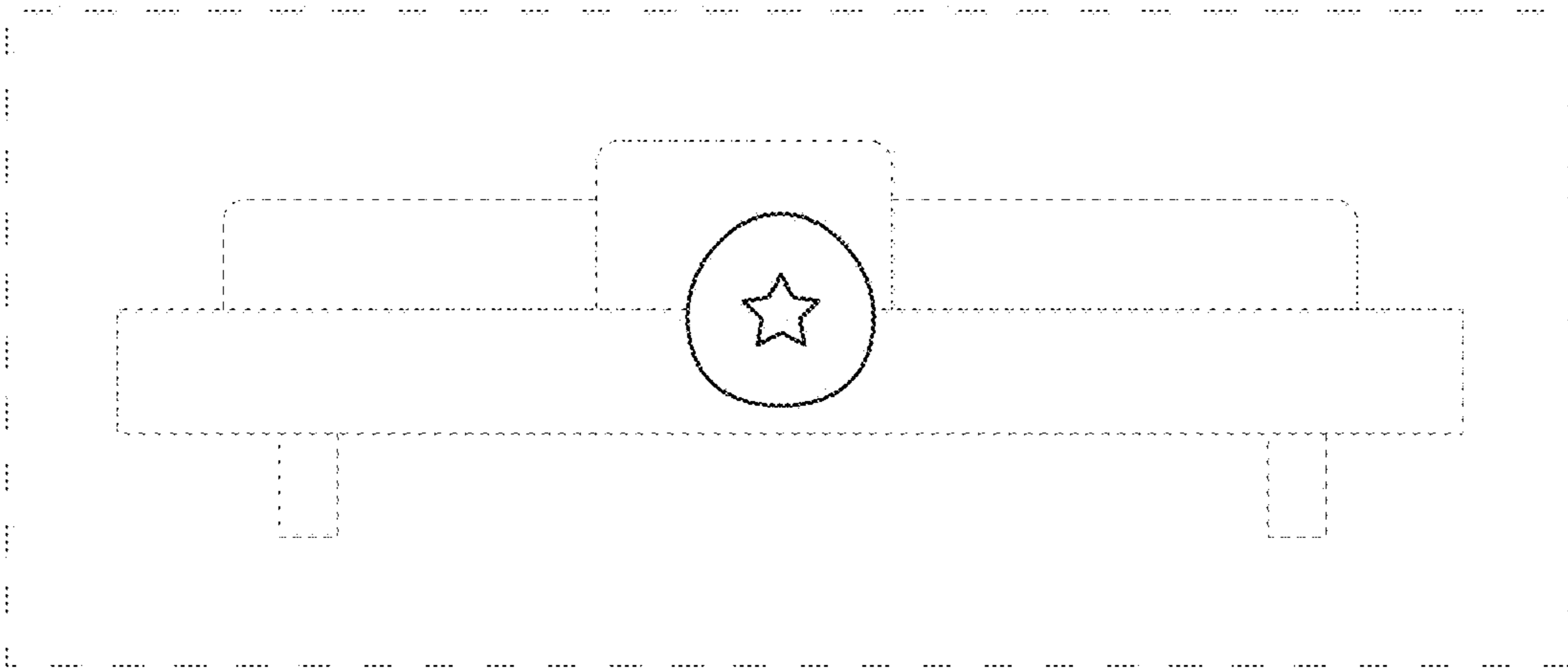


FIG. 10

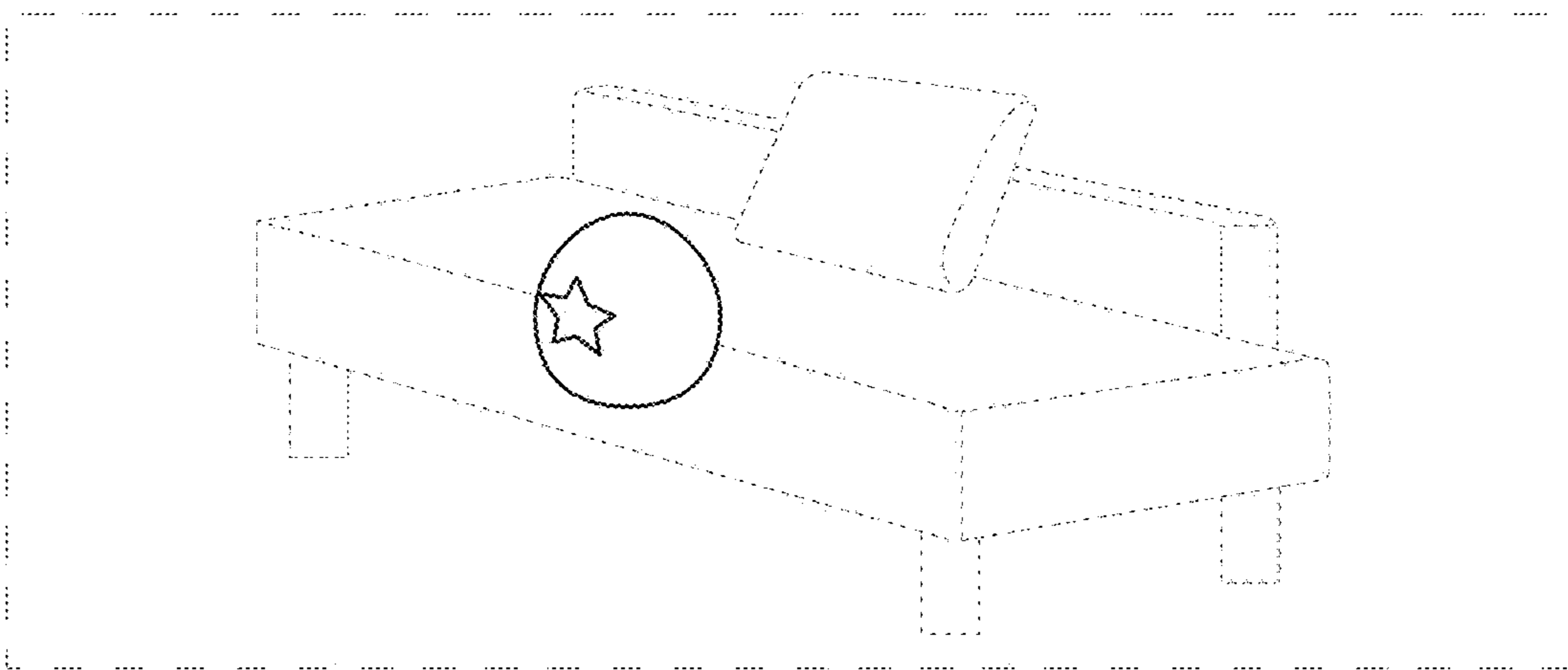


FIG. 11

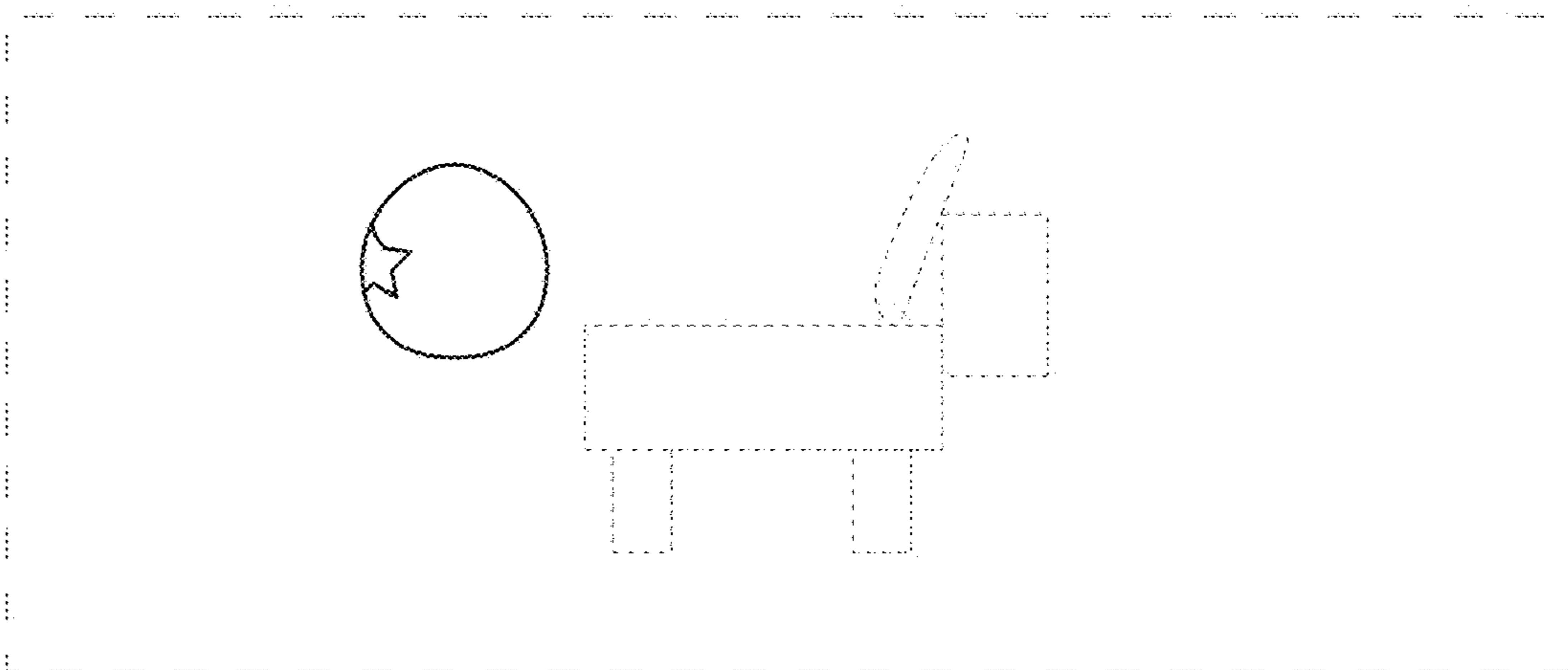


FIG. 12

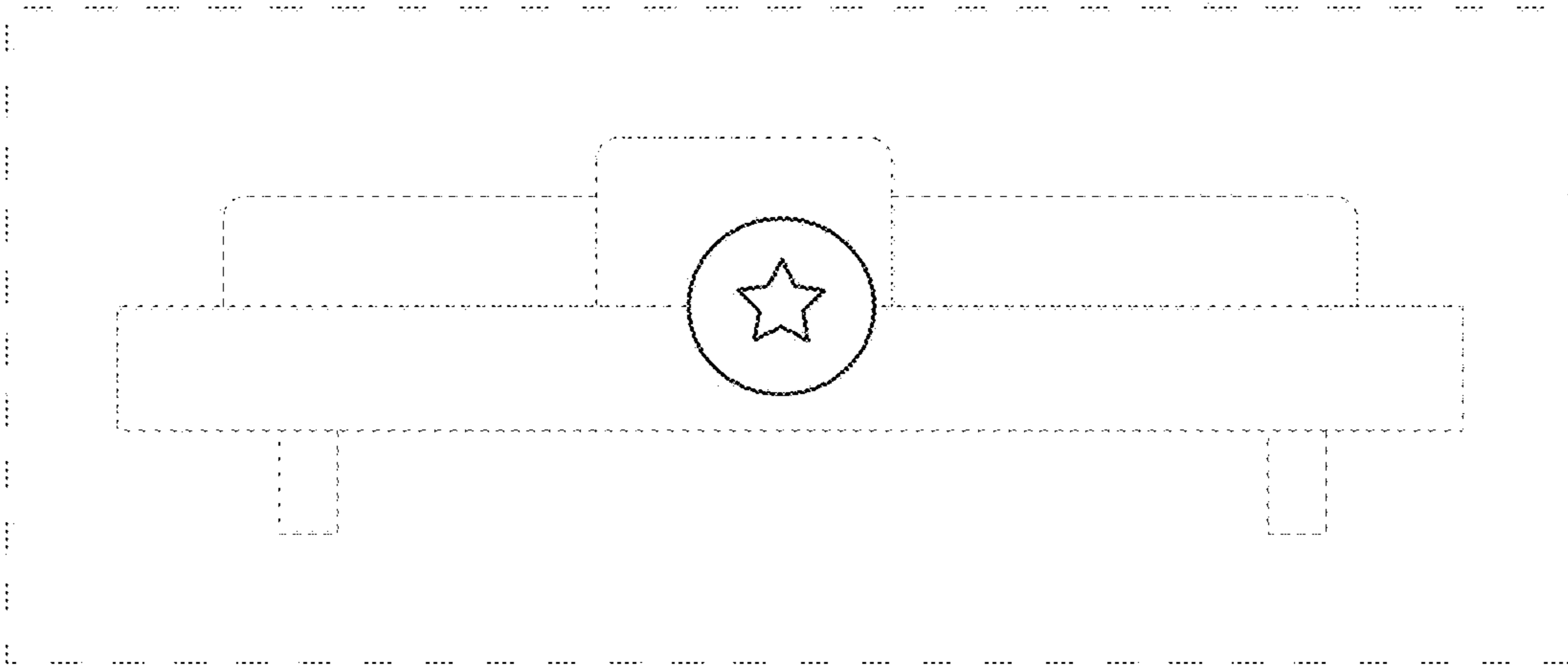


FIG. 13

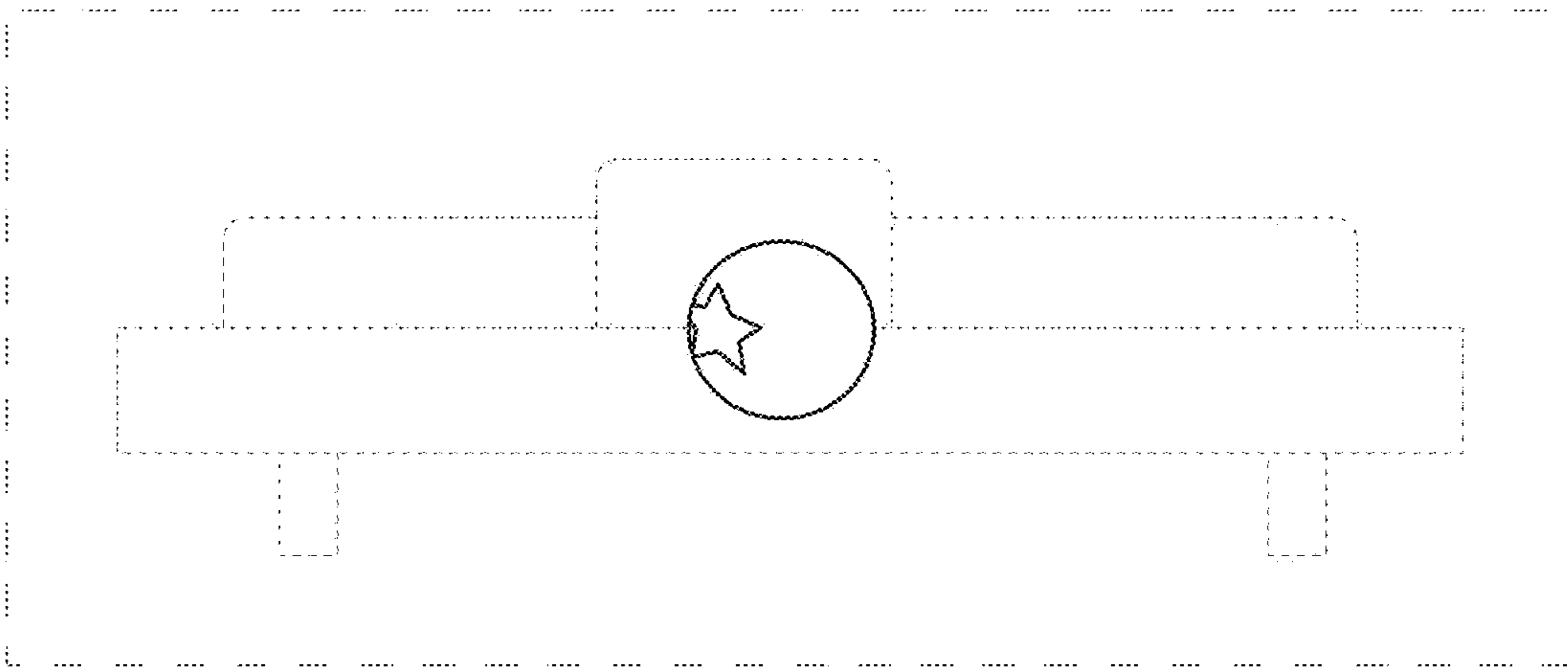


FIG. 14

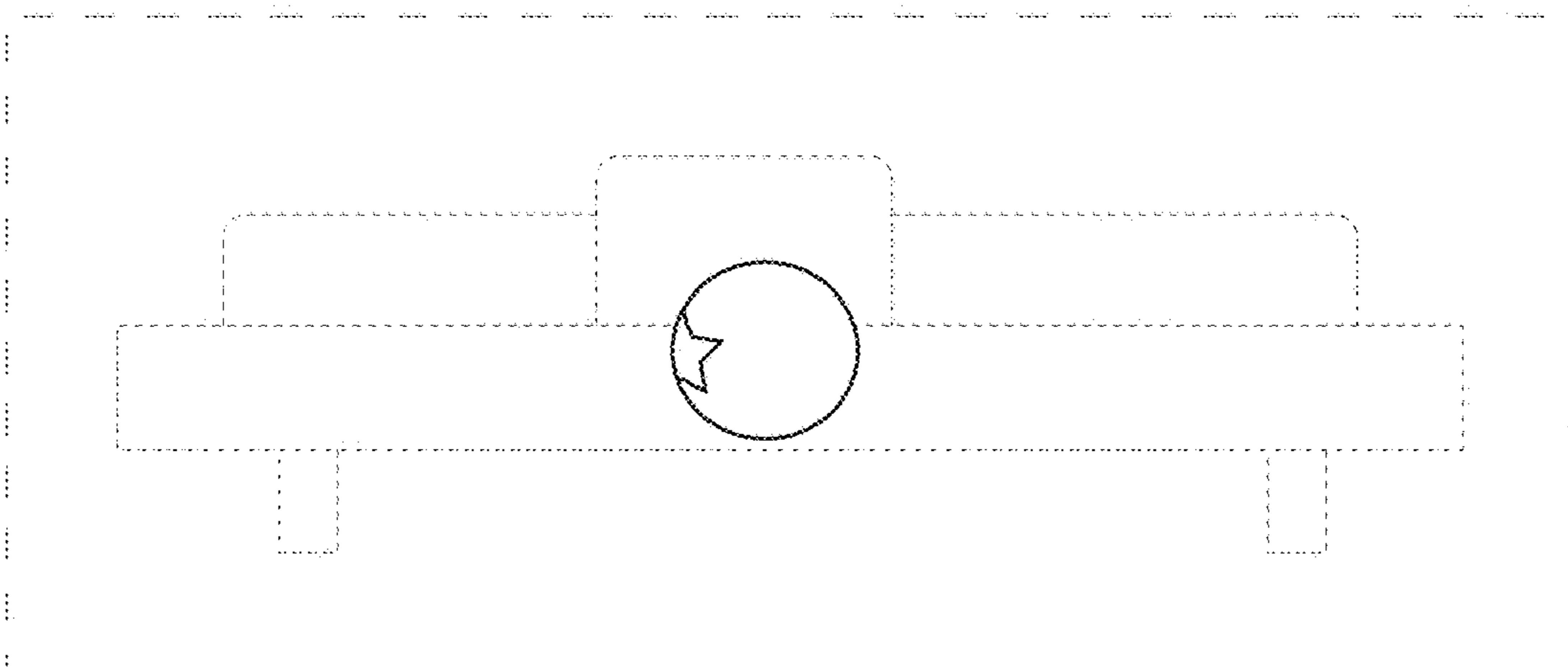


FIG. 15