



US00D877756S

(12) **United States Design Patent**
Iida et al.

(10) **Patent No.:** **US D877,756 S**
(45) **Date of Patent:** **** Mar. 10, 2020**

(54) **DISPLAY SCREEN WITH GRAPHICAL USER INTERFACE**

(71) Applicant: **MINEBEA MITSUMI Inc.**, Nagano (JP)

(72) Inventors: **Norihito Iida**, Sagamihara (JP);
Shoichi Hibi, Ohta-ku (JP)

(73) Assignee: **MINEBEA MITSUMI INC.**, Nagano (JP)

(**) Term: **15 Years**

(21) Appl. No.: **29/661,477**

(22) Filed: **Aug. 28, 2018**

(30) **Foreign Application Priority Data**

Mar. 12, 2018 (JP) 2018-005136
Mar. 12, 2018 (JP) 2018-005139
Mar. 12, 2018 (JP) 2018-005140

(51) **LOC (12) Cl.** **14-04**

(52) **U.S. Cl.**
USPC **D14/485**; D14/489

(58) **Field of Classification Search**
USPC D14/485–495
CPC G06F 3/048; G06F 3/0481; G06F 3/04842;
G06T 13/80; G06T 15/02
See application file for complete search history.

(56) **References Cited**

U.S. PATENT DOCUMENTS

D281,081 S * 10/1985 Zwissler D14/488
D573,157 S * 7/2008 Guimaraes D14/495
D573,158 S * 7/2008 Guimaraes D14/495
D650,802 S * 12/2011 Jang D14/495
D650,805 S * 12/2011 Impas D14/495
D683,365 S * 5/2013 Gardner D14/495

D723,054 S * 2/2015 Nagaoka D14/486
D735,754 S * 8/2015 Chaudhri D14/488
D738,927 S * 9/2015 Mahaffey D14/495
D738,928 S * 9/2015 Mahaffey D14/495
D739,427 S * 9/2015 Jung D14/487
D741,370 S * 10/2015 Torres D14/492

(Continued)

Primary Examiner — Daniel J Domino

(74) *Attorney, Agent, or Firm* — Pearne & Gordon LLP

(57) **CLAIM**

The ornamental design for a display screen with graphical user interface, as shown and described.

DESCRIPTION

FIG. 1 is a front view of a display screen with graphical user interface with a region for enlargement indicated by dot-dash boundary lines showing our new design;

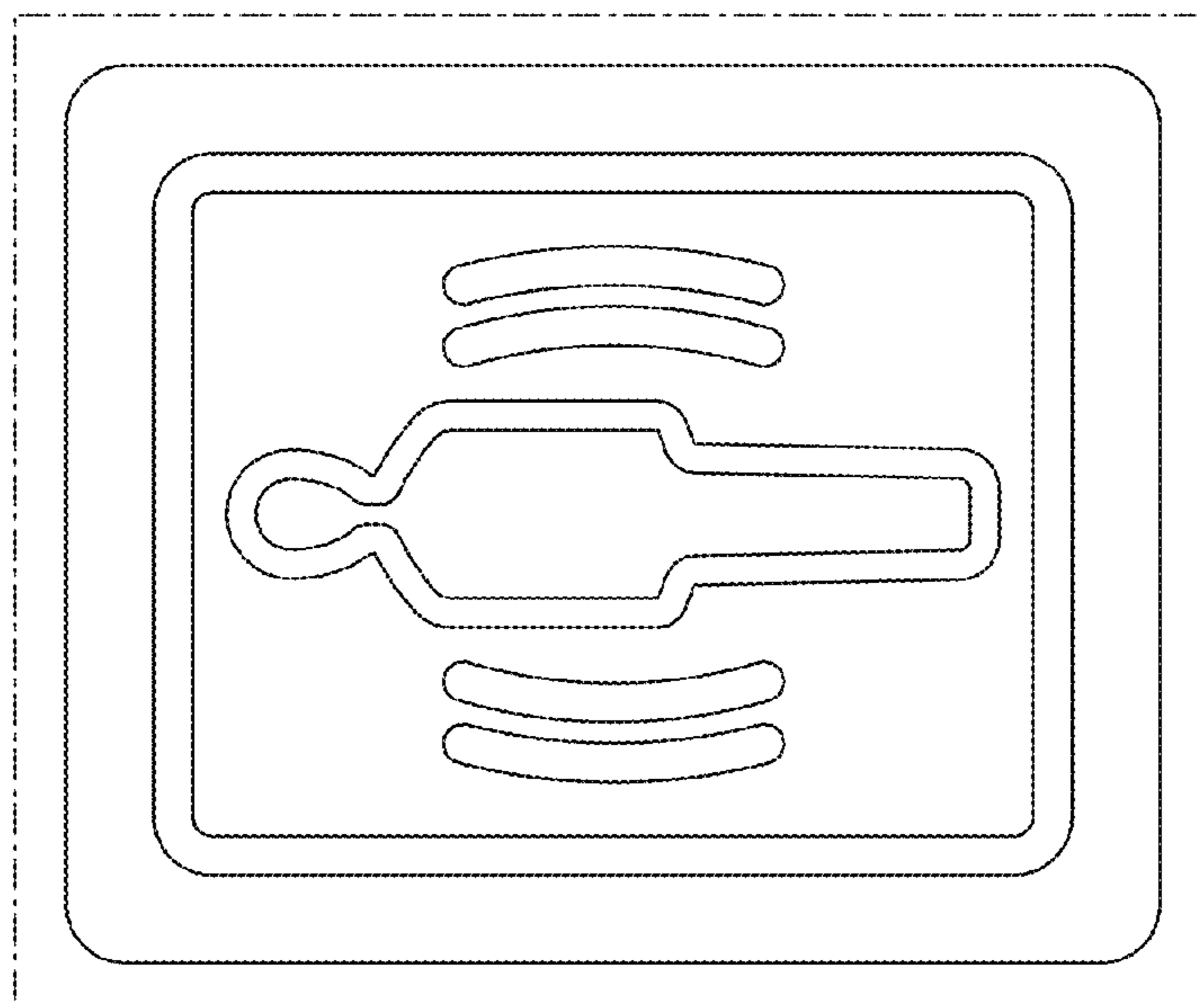
FIG. 2 is an enlarged view of area 2 indicated by dot-dash boundary lines in FIG. 1;

FIG. 3 is a front view of a second display screen with graphical user interface with a region for enlargement indicated by dot-dash boundary lines showing our new design; FIG. 4 is an enlarged view of area 4 indicated by dot-dash boundary lines in FIG. 3;

FIG. 5 is a front view of a third display screen with graphical user interface with a region for enlargement indicated by dot-dash boundary lines showing our new design; and, FIG. 6 is an enlarged view of area 6 indicated by dot-dash boundary lines in FIG. 5.

The broken lines depict portions of the display screen with graphical user interface that form no part of the claimed design. The “2” indicia shown in FIG. 1, the “4” indicia shown in FIG. 3 and the “6” indicia shown in FIG. 5, as well as the splined curve and rectangle indicated by the dot-dash boundary line indicia in FIG. 1, FIG. 3 and FIG. 5 are identifying and displaying the enlarged region of the graphical user interface and form no part of the claimed design.

1 Claim, 3 Drawing Sheets



(56)

References Cited

U.S. PATENT DOCUMENTS

D741,910 S * 10/2015 Varga D14/492
 D742,416 S * 11/2015 Chang D14/495
 9,229,632 B2 * 1/2016 Walkin G06F 9/451
 D753,171 S * 4/2016 Kim D14/486
 D754,750 S * 4/2016 Boix Sagarra D14/495
 D760,241 S * 6/2016 Brunner D14/485
 D772,905 S * 11/2016 Ingenlath D14/486
 D776,684 S * 1/2017 Gobinski D14/485
 D782,505 S * 3/2017 Miao D14/485
 D785,024 S * 4/2017 Ahn D14/486
 D794,075 S * 8/2017 Park D14/488
 D802,021 S * 11/2017 Pirklbauer D14/492
 D803,250 S * 11/2017 Lee D14/486
 9,830,424 B2 * 11/2017 Dixon G06Q 50/22
 D807,918 S * 1/2018 Cohen D14/495
 D808,405 S * 1/2018 Agashiwala D14/486
 D817,350 S * 5/2018 Nanjappan D14/486
 D824,939 S * 8/2018 Sagrillo D14/486
 D825,590 S * 8/2018 Sagrillo D14/486
 D831,048 S * 10/2018 Sagrillo D14/486
 D835,123 S * 12/2018 Andrew D14/485
 D835,132 S * 12/2018 Ito D14/485

D835,145 S * 12/2018 Cashner D14/486
 D836,123 S * 12/2018 Pillalamarri D14/486
 D836,659 S * 12/2018 Andrew D14/486
 D839,900 S * 2/2019 Gan D14/486
 D848,483 S * 5/2019 Itano D14/495
 D848,484 S * 5/2019 Itano D14/495
 D849,792 S * 5/2019 Lee D14/492
 D851,658 S * 6/2019 Pillalamarri D14/485
 D857,057 S * 8/2019 Brooks D14/488
 D857,711 S * 8/2019 Iida D14/485
 D859,463 S * 9/2019 Chen D14/489
 D863,353 S * 10/2019 Kang D14/492
 D866,572 S * 11/2019 Sagrillo D14/485
 D866,581 S * 11/2019 Young D14/486
 D866,587 S * 11/2019 Iida D14/486
 2015/0091891 A1 * 4/2015 Raheman A63G 31/16
 345/419
 2015/0105976 A1 * 4/2015 Shikii B60W 40/08
 701/36
 2015/0134353 A1 * 5/2015 Ferrell G06Q 30/0623
 705/2
 2018/0184984 A1 * 7/2018 Zerhusen A61G 7/018
 2018/0335937 A1 * 11/2018 Hauenstein G06F 3/016

* cited by examiner

FIG. 1

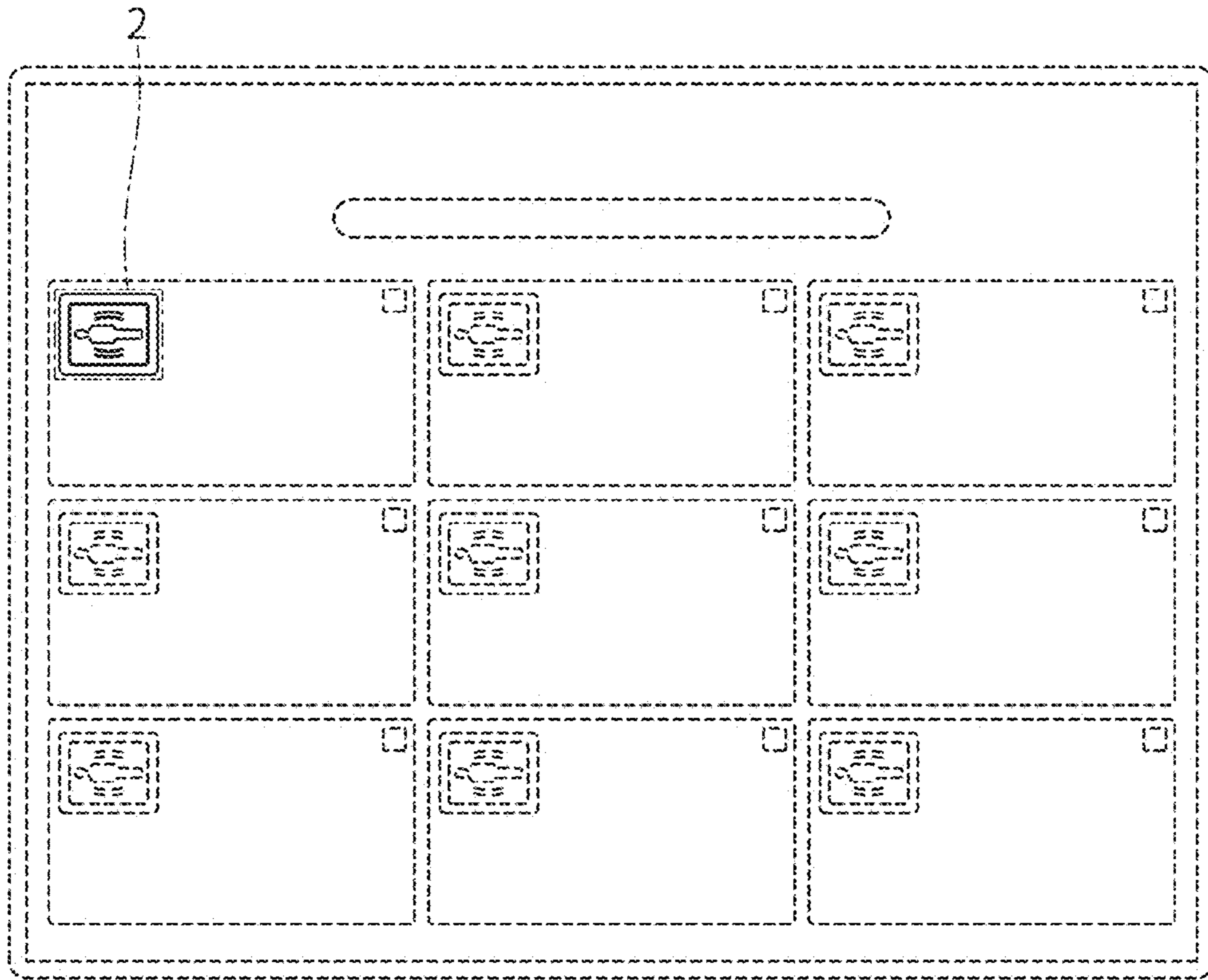


FIG. 2

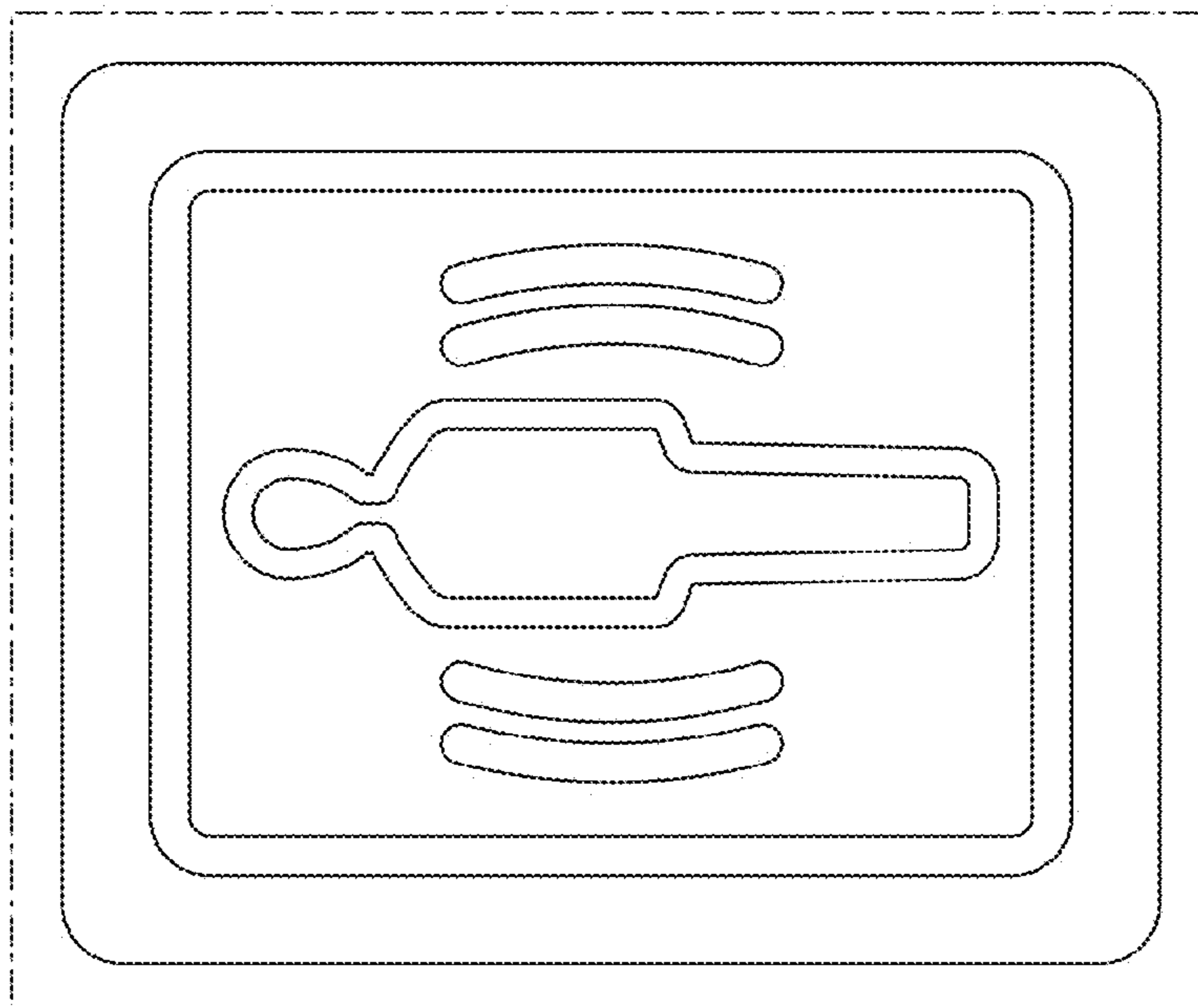


FIG. 3

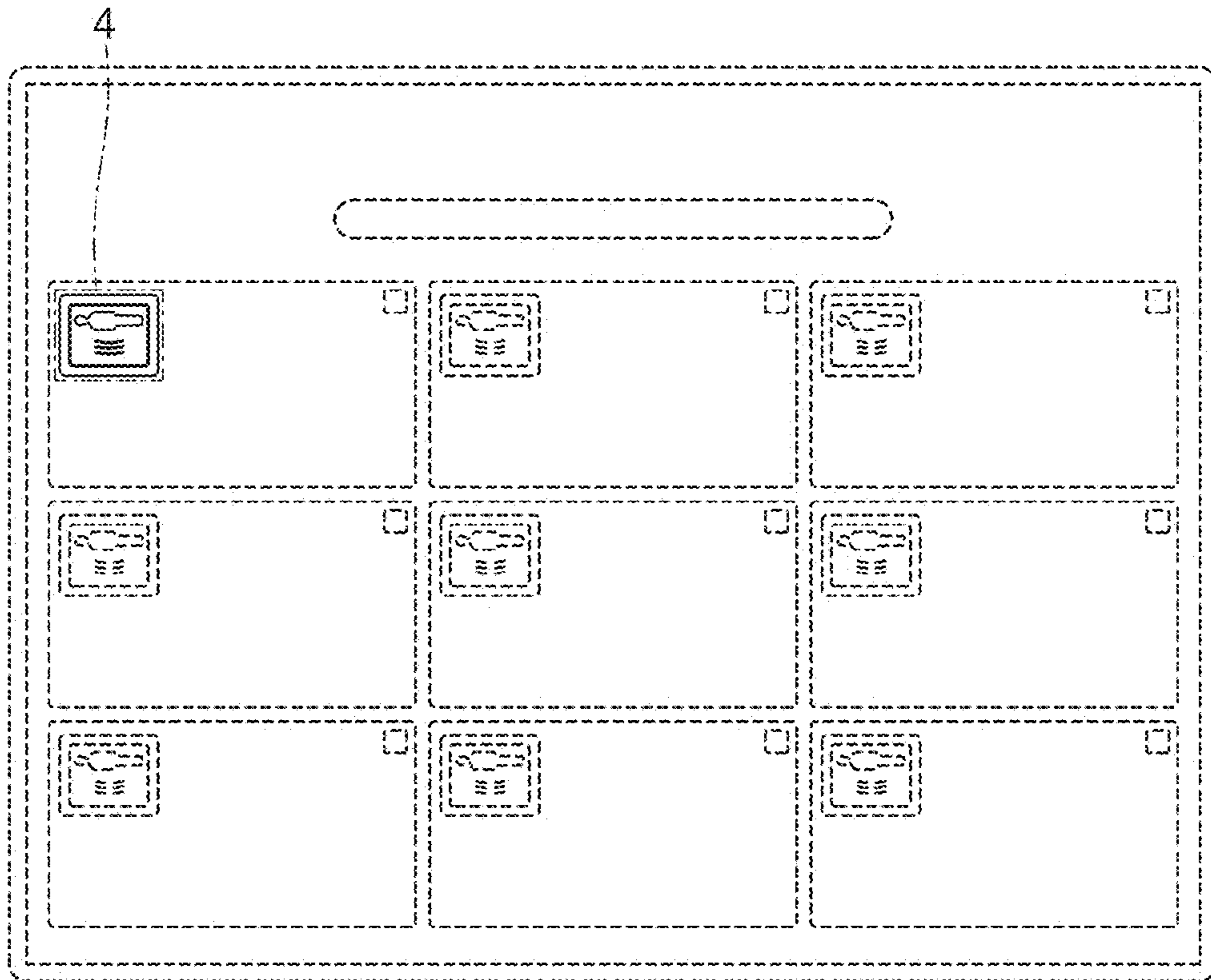


FIG. 4

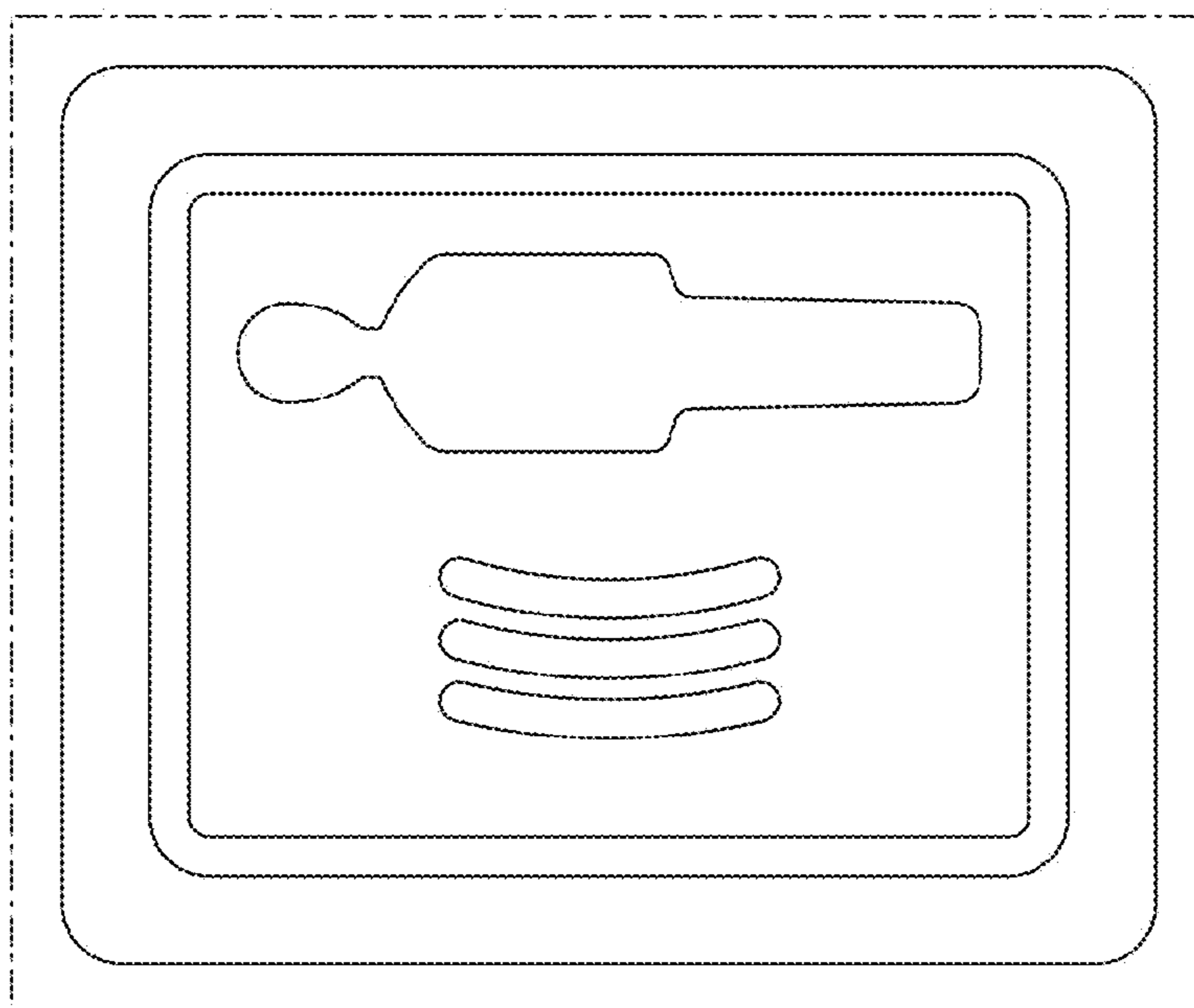


FIG. 5

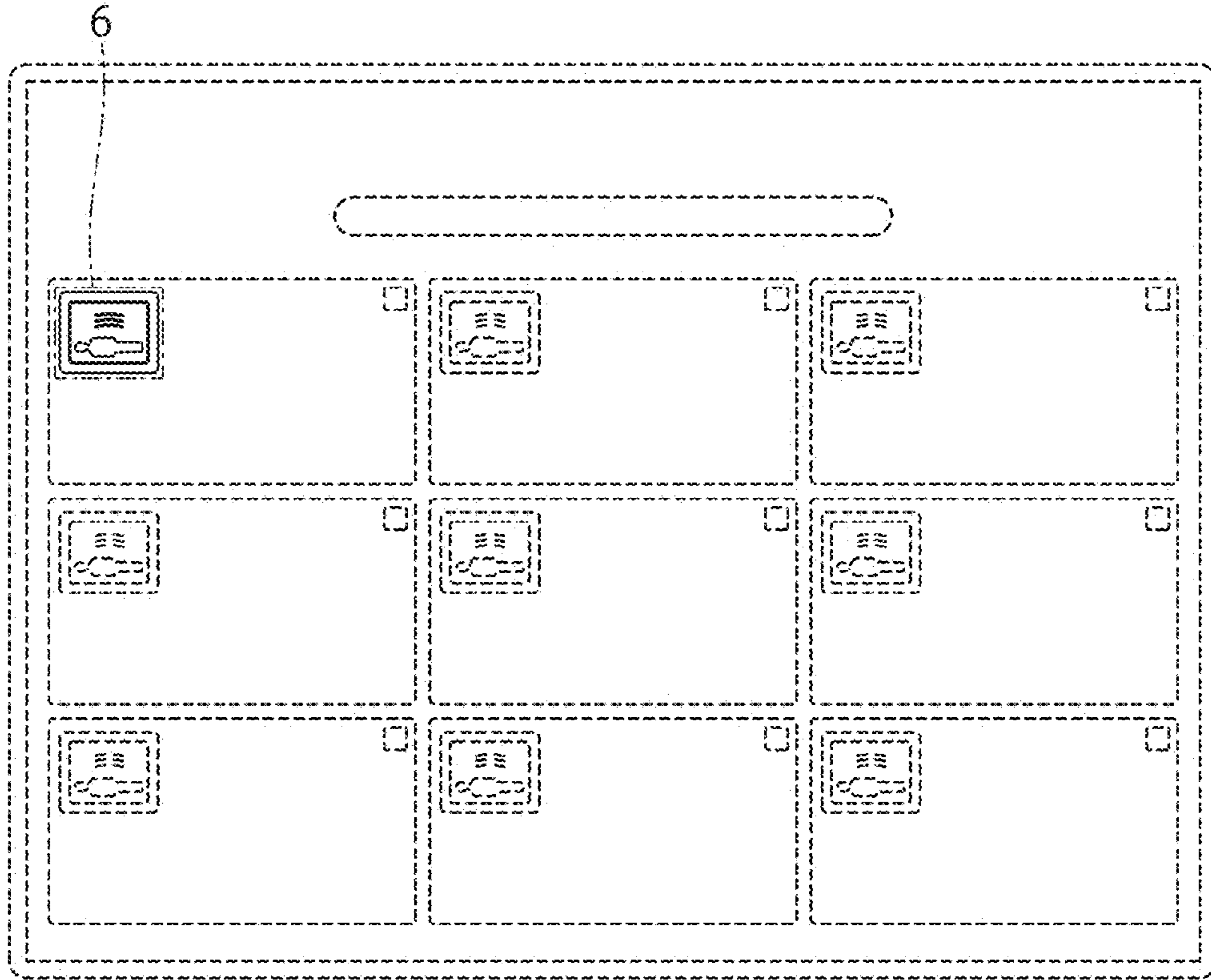


FIG. 6

