



US00D877755S

(12) **United States Design Patent**  
**Iida et al.**

(10) **Patent No.:** **US D877,755 S**  
(45) **Date of Patent:** **\*\* Mar. 10, 2020**

(54) **DISPLAY SCREEN WITH GRAPHICAL USER INTERFACE**

D738,927 S \* 9/2015 Mahaffey ..... D14/495  
D738,928 S \* 9/2015 Mahaffey ..... D14/495  
D739,427 S \* 9/2015 Jung ..... D14/487  
D741,370 S \* 10/2015 Torres ..... D14/492

(71) Applicant: **MINEBEA MITSUMI Inc.**, Nagano (JP)

(Continued)

(72) Inventors: **Norihito Iida**, Sagamihara (JP);  
**Shoichi Hibi**, Ohta-ku (JP)

*Primary Examiner* — Daniel J Domino

(74) *Attorney, Agent, or Firm* — Pearne & Gordon LLP

(73) Assignee: **MINEBEA MITSUMI INC.**, Nagano (JP)

(57) **CLAIM**

The ornamental design for a display screen with graphical user interface, as shown and described.

(\*\*) Term: **15 Years**

(21) Appl. No.: **29/661,473**

**DESCRIPTION**

(22) Filed: **Aug. 28, 2018**

(30) **Foreign Application Priority Data**

Mar. 12, 2018 (JP) ..... 2018-005135  
Mar. 12, 2018 (JP) ..... 2018-005137  
Mar. 12, 2018 (JP) ..... 2018-005138

FIG. 1 is a front view of a display screen with graphical user interface with a region for enlargement indicated by dot-dash boundary lines showing our new design;

FIG. 2 is an enlarged view of area 2 indicated by dot-dash boundary lines in FIG. 1;

FIG. 3 is a front view of a second embodiment of a display screen with graphical user interface with a region for enlargement indicated by dot-dash boundary lines showing our new design;

FIG. 4 is an enlarged view of area 4 indicated by dot-dash boundary lines in FIG. 3;

FIG. 5 is a front view of a third embodiment of a display screen with graphical user interface with a region for enlargement indicated by dot-dash boundary lines showing our new design; and,

FIG. 6 is an enlarged view of area 6 indicated by dot-dash boundary lines in FIG. 5.

The broken lines depict portions of the display screen with graphical user interface that form no part of the claimed design. The “2” indicia shown in FIG. 1, the “4” indicia shown in FIG. 3 and the “6” indicia shown in FIG. 5, as well as the splined curve and rectangle indicated by the dot-dash boundary line indicia in FIG. 1, FIG. 3 and FIG. 5 are identifying and displaying the enlarged region of the graphical user interface and form no part of the claimed design.

(51) **LOC (12) Cl.** ..... **14-04**

(52) **U.S. Cl.**  
USPC ..... **D14/485**; D14/489

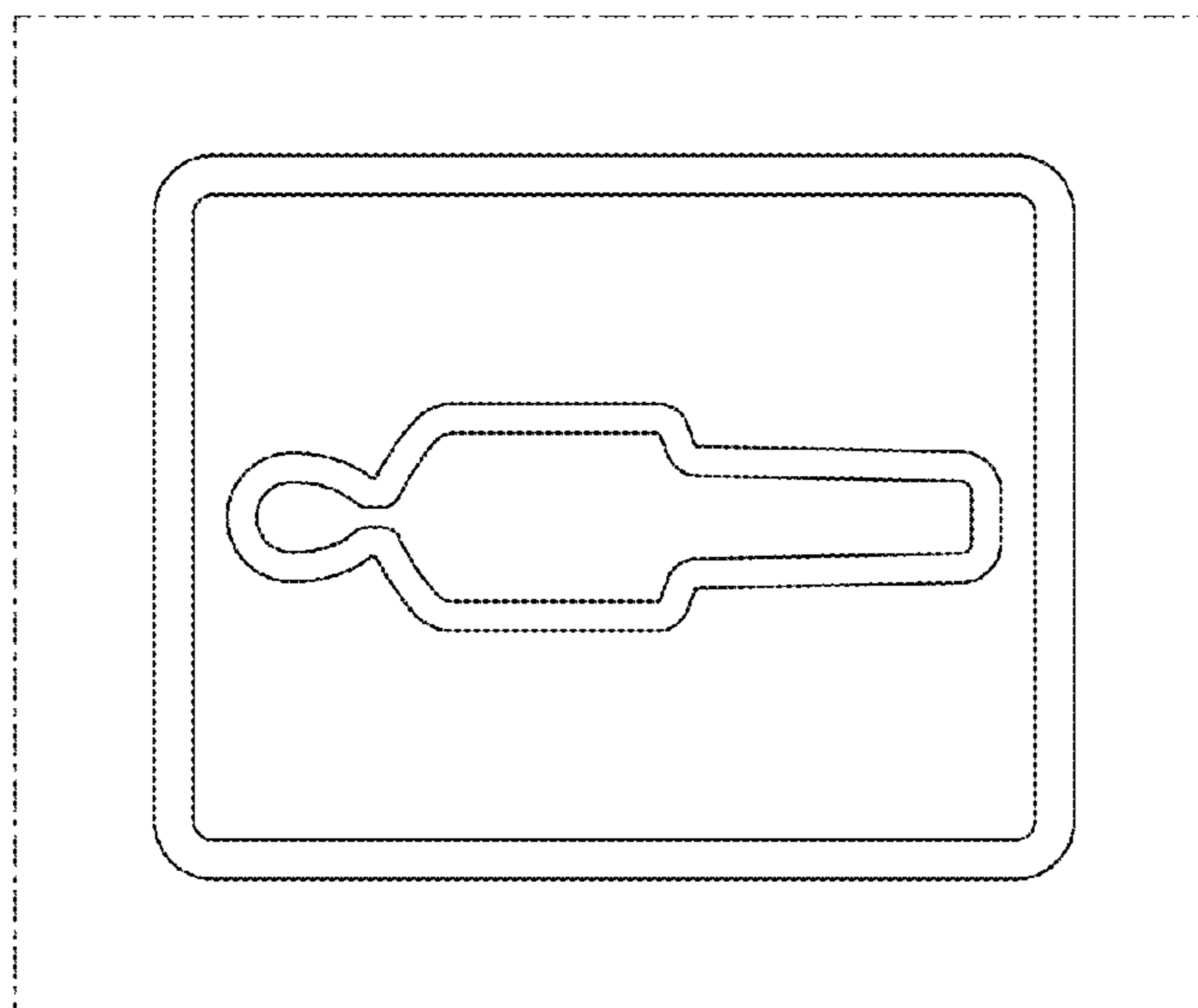
(58) **Field of Classification Search**  
USPC ..... D14/485–495  
CPC .... G06F 3/048; G06F 3/0481; G06F 3/04842;  
G06T 13/80; G06T 15/02  
See application file for complete search history.

(56) **References Cited**

U.S. PATENT DOCUMENTS

D281,081 S \* 10/1985 Zwissler ..... D14/488  
D573,157 S \* 7/2008 Guimaraes ..... D14/495  
D573,158 S \* 7/2008 Guimaraes ..... D14/495  
D650,802 S \* 12/2011 Jang ..... D14/495  
D650,805 S \* 12/2011 Impas ..... D14/495  
D683,365 S \* 5/2013 Gardner ..... D14/495  
D723,054 S \* 2/2015 Nagaoka ..... D14/486  
D735,754 S \* 8/2015 Chaudhri ..... D14/488

**1 Claim, 3 Drawing Sheets**



(56)

References Cited

U.S. PATENT DOCUMENTS

D741,910 S \* 10/2015 Varga ..... D14/492  
 D742,416 S \* 11/2015 Chang ..... D14/495  
 9,229,632 B2 \* 1/2016 Walkin ..... G06F 9/451  
 D753,171 S \* 4/2016 Kim ..... D14/486  
 D754,750 S \* 4/2016 Boix Sagarra ..... D14/495  
 D760,241 S \* 6/2016 Brunner ..... D14/485  
 D772,905 S \* 11/2016 Ingenlath ..... D14/486  
 D776,684 S \* 1/2017 Gobinski ..... D14/485  
 D782,505 S \* 3/2017 Miao ..... D14/485  
 D785,024 S \* 4/2017 Ahn ..... D14/486  
 D794,075 S \* 8/2017 Park ..... D14/488  
 D802,021 S \* 11/2017 Pirklbauer ..... D14/492  
 D803,250 S \* 11/2017 Lee ..... D14/486  
 9,830,424 B2 \* 11/2017 Dixon ..... G06Q 50/22  
 D807,918 S \* 1/2018 Cohen ..... D14/495  
 D808,405 S \* 1/2018 Agashiwala ..... D14/486  
 D817,350 S \* 5/2018 Nanjappan ..... D14/486  
 D824,939 S \* 8/2018 Sagrillo ..... D14/486  
 D825,590 S \* 8/2018 Sagrillo ..... D14/486  
 D831,048 S \* 10/2018 Sagrillo ..... D14/486  
 D835,123 S \* 12/2018 Andrew ..... D14/485  
 D835,132 S \* 12/2018 Ito ..... D14/485

D835,145 S \* 12/2018 Cashner ..... D14/486  
 D836,123 S \* 12/2018 Pillalamarri ..... D14/486  
 D836,659 S \* 12/2018 Andrew ..... D14/486  
 D839,900 S \* 2/2019 Gan ..... D14/486  
 D848,483 S \* 5/2019 Itano ..... D14/495  
 D848,484 S \* 5/2019 Itano ..... D14/495  
 D849,792 S \* 5/2019 Lee ..... D14/492  
 D851,658 S \* 6/2019 Pillalamarri ..... D14/485  
 D857,057 S \* 8/2019 Brooks ..... D14/488  
 D857,711 S \* 8/2019 Iida ..... D14/485  
 D859,463 S \* 9/2019 Chen ..... D14/489  
 D863,353 S \* 10/2019 Kang ..... D14/492  
 D866,572 S \* 11/2019 Sagrillo ..... D14/485  
 D866,581 S \* 11/2019 Young ..... D14/486  
 D866,587 S \* 11/2019 Iida ..... D14/486  
 2015/0091891 A1 \* 4/2015 Raheman ..... A63G 31/16  
 345/419  
 2015/0105976 A1 \* 4/2015 Shikii ..... B60W 40/08  
 701/36  
 2015/0134353 A1 \* 5/2015 Ferrell ..... G06Q 30/0623  
 705/2  
 2018/0184984 A1 \* 7/2018 Zerhusen ..... A61G 7/018  
 2018/0335937 A1 \* 11/2018 Hauenstein ..... G06F 3/016

\* cited by examiner

FIG. 1

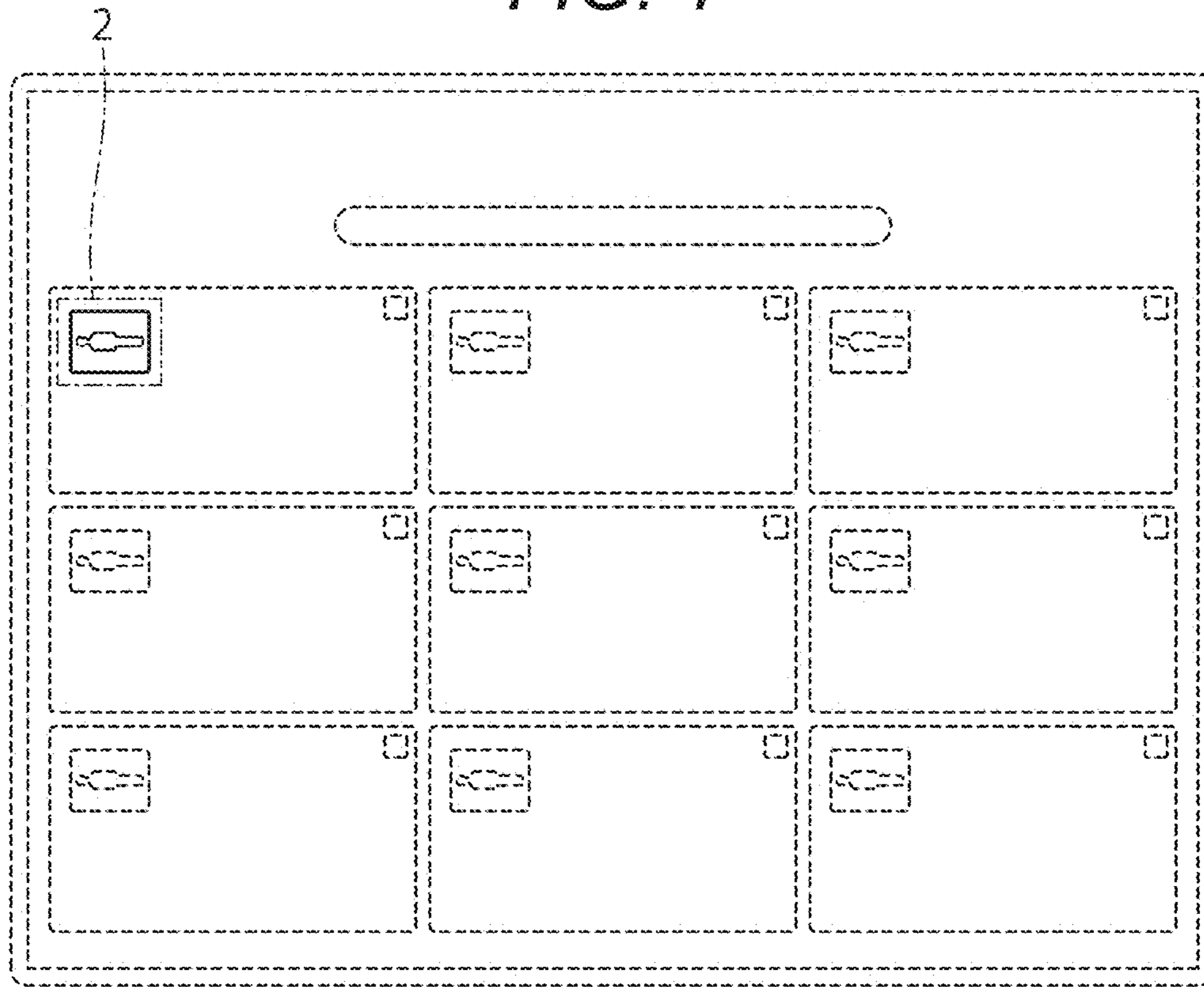


FIG. 2

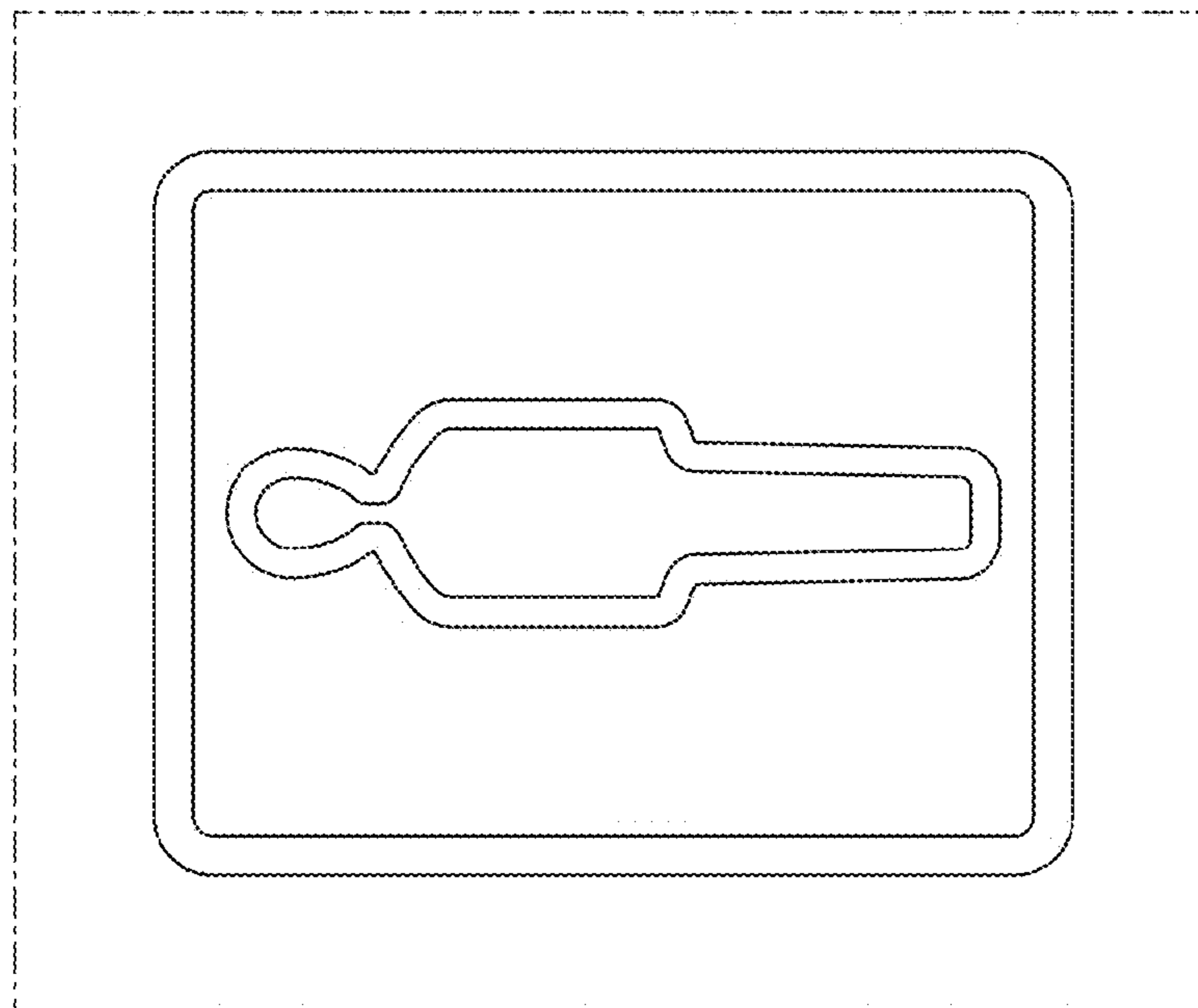


FIG. 3

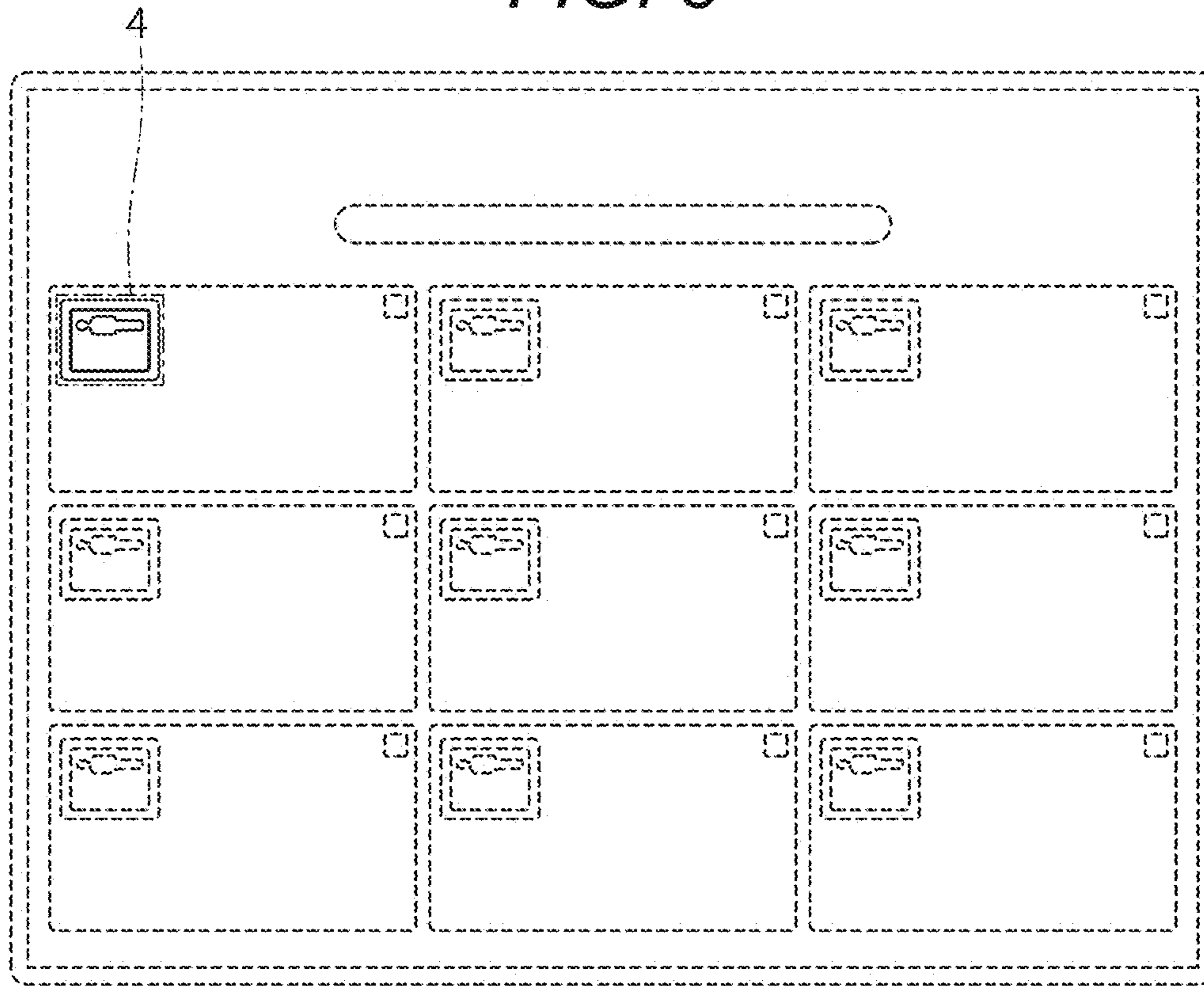


FIG. 4

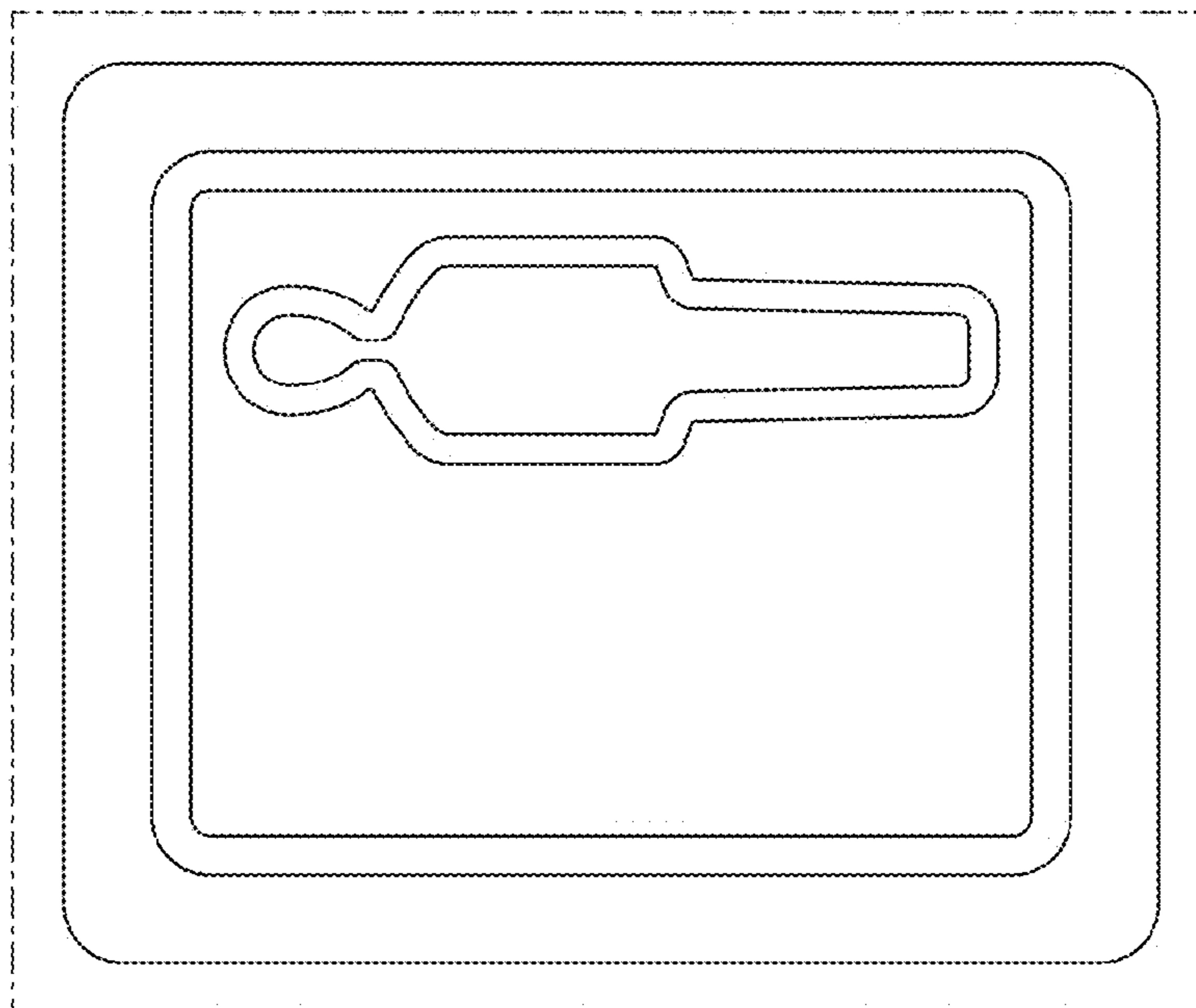


FIG. 5

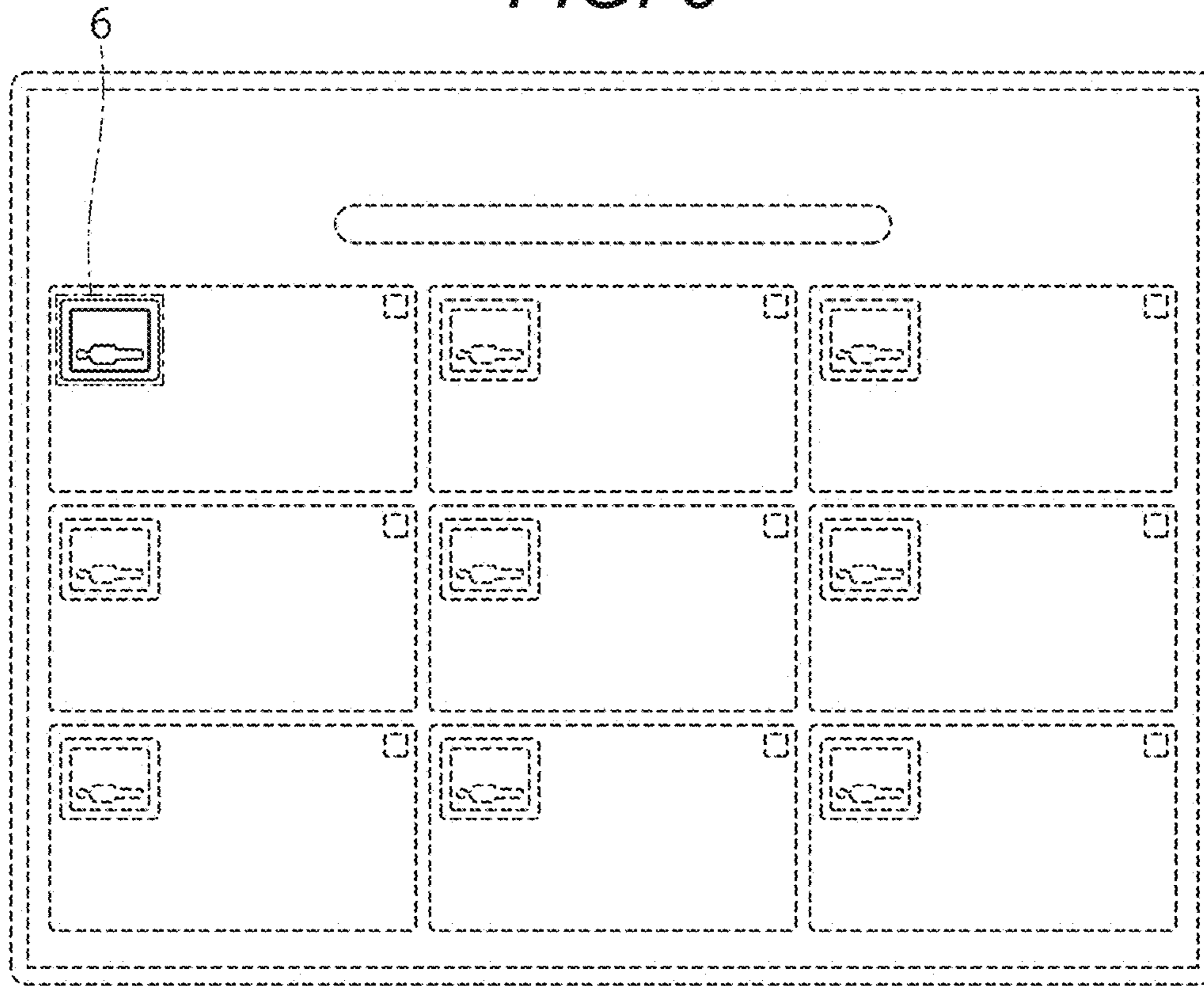


FIG. 6

