



US00D877750S

(12) **United States Design Patent** (10) **Patent No.:** **US D877,750 S**  
**Stamatiou** (45) **Date of Patent:** **\*\* Mar. 10, 2020**

(54) **MEDIA SHARING DEVICE WITH GRAPHICAL USER INTERFACE**

- (71) Applicant: **Twitter, Inc.**, San Francisco, CA (US)
- (72) Inventor: **Paul Stamatiou**, San Francisco, CA (US)
- (73) Assignee: **Twitter, Inc.**, San Francisco, CA (US)
- (\*\*) Term: **15 Years**
- (21) Appl. No.: **29/624,347**
- (22) Filed: **Oct. 31, 2017**

**Related U.S. Application Data**

- (62) Division of application No. 29/515,838, filed on Jan. 27, 2015, now Pat. No. Des. 805,102.
- (51) **LOC (12) Cl.** ..... **14-04**
- (52) **U.S. Cl.**  
USPC ..... **D14/485**
- (58) **Field of Classification Search**  
USPC ..... D14/485-495; D20/10, 11, 22-33, 39, D20/40  
CPC ..... G06F 3/048-04897; G06F 17/24; H04N 1/0044; H04N 1/00196; H04N 1/00408-00437; G06T 2200/24; B41J 29/38; G03G 15/5016; G03G 15/502  
See application file for complete search history.

(56) **References Cited**

**U.S. PATENT DOCUMENTS**

- D420,995 S 2/2000 Imamura et al.
  - D470,857 S 2/2003 Anderson et al.
  - 6,515,704 B1 2/2003 Sato et al.
  - D485,279 S 1/2004 DeCombe
- (Continued)

**FOREIGN PATENT DOCUMENTS**

- EP 1667418 A2 6/2006
- EP 2765767 A1 8/2014
- WO 2013101211 A1 7/2013

**OTHER PUBLICATIONS**

Twitter Announces Video Feature, by Blidner, nydailynews.com [online], published on Jan. 27, 2015, [retrieved on Nov. 6, 2019], retrieved from the Internet [URL: https://www.nydailynews.com/news/national/twitter-announces-video-feature-group-direct-messaging-article-1.2093456[Nov. 5, 2019] (Year: 2015).\*

(Continued)

*Primary Examiner* — Cathron C Brooks

*Assistant Examiner* — Ian F Whitmore

(74) *Attorney, Agent, or Firm* — Brake Hughes Bellermann LLP

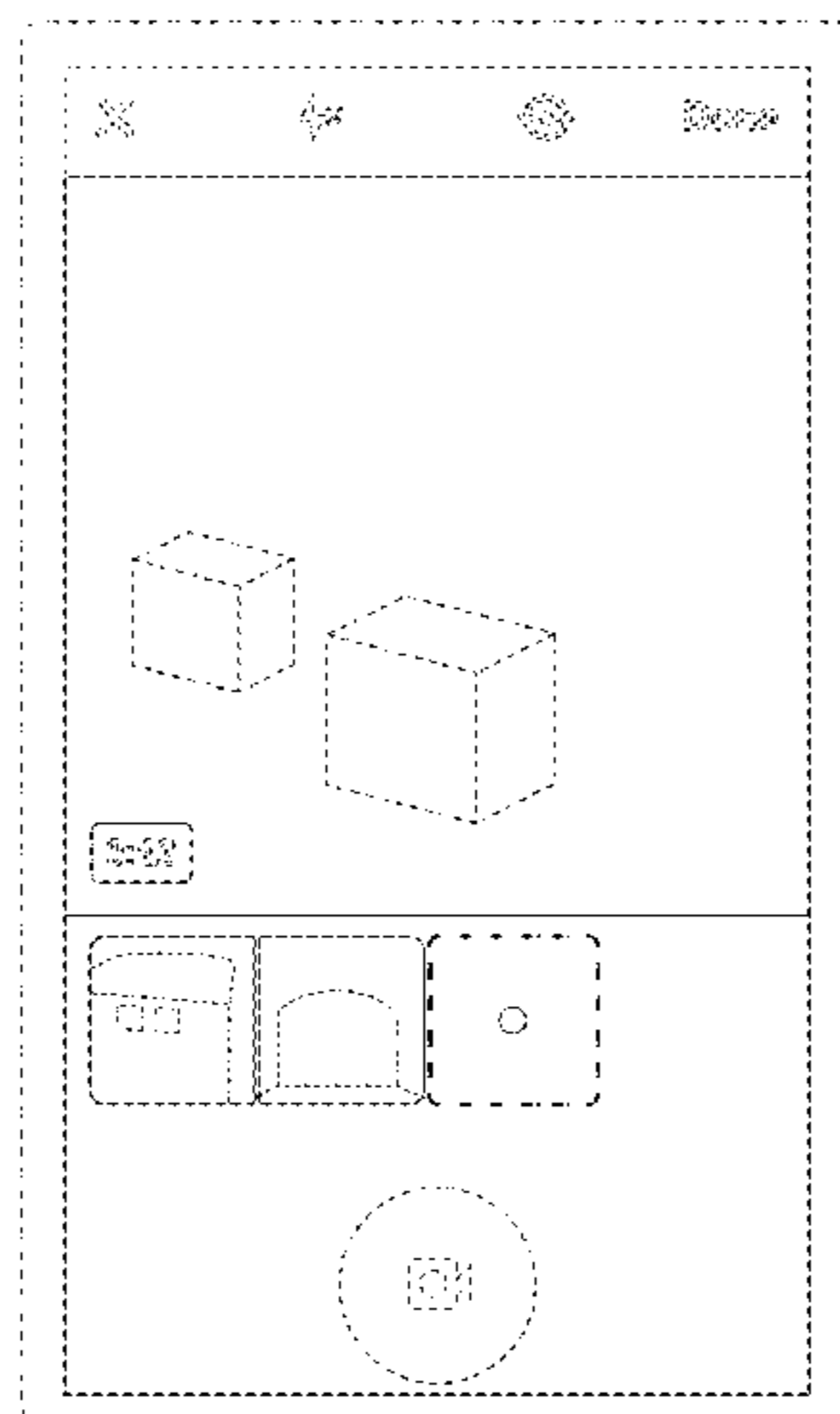
(57) **CLAIM**

What is claimed is the ornamental design for a media sharing device with graphical user interface, as shown and described herein.

**DESCRIPTION**

FIG. 1 is a front view of a media sharing device with graphical user interface according to a first embodiment; and, FIG. 2 is a front view of a media sharing device with graphical user interface according to a second embodiment. The sharp-cornered rectangle shown within the outermost round-cornered rectangle illustrates the perimeter of the display screen of the media sharing device. The outermost round-cornered broken-line rectangle illustrates a media sharing device. The remaining broken lines illustrate portions of the display screen and graphical user interface. The broken lines form no part of the claimed design, with exception of the longer-dashed lines depicting a square-shaped feature surrounding the small solid-line circle near the lower center of the screen, which are included in the claimed design.

**1 Claim, 2 Drawing Sheets**





(56)

References Cited

U.S. PATENT DOCUMENTS

D576,172 S 9/2008 Kim  
 D614,639 S 4/2010 Viegers et al.  
 7,844,481 B2 11/2010 Hilbush et al.  
 D640,279 S \* 6/2011 Woo ..... D14/487  
 D680,125 S 4/2013 Chaudhri et al.  
 D689,513 S 9/2013 Percy et al.  
 8,566,722 B2 10/2013 Gordon et al.  
 D697,075 S 1/2014 Waldman  
 D704,211 S 5/2014 Agnew et al.  
 8,811,948 B2 8/2014 Bandyopadhyay et al.  
 8,898,184 B1 11/2014 Garman et al.  
 D726,736 S 4/2015 Smirin et al.  
 D732,062 S 6/2015 Kwon  
 D733,172 S 6/2015 Angelides  
 D737,298 S \* 8/2015 Jung ..... D14/486  
 9,185,062 B1 11/2015 Yang et al.  
 D746,296 S 12/2015 Tanaka  
 D753,674 S 4/2016 Heeter et al.  
 D754,695 S 4/2016 Moon et al.  
 D756,396 S 5/2016 Anzures et al.  
 D758,417 S 6/2016 Chaudhri et al.  
 D762,676 S 8/2016 Lim et al.  
 D763,875 S 8/2016 Yuk et al.  
 D763,889 S 8/2016 Woo et al.  
 D765,100 S 8/2016 Kim et al.  
 D766,978 S 9/2016 Hwang et al.  
 D768,170 S 10/2016 Watson et al.  
 D768,669 S 10/2016 Pranger et al.  
 D770,489 S \* 11/2016 Heeter ..... D14/486  
 D771,080 S \* 11/2016 Kang ..... D14/486  
 D771,087 S 11/2016 Lee et al.  
 D773,498 S 12/2016 Andress et al.  
 D773,522 S 12/2016 Kim et al.  
 D775,158 S 12/2016 Dong et al.  
 D775,651 S \* 1/2017 Jin ..... D14/486  
 D776,140 S 1/2017 Andress et al.  
 D787,549 S 5/2017 Lee  
 D788,137 S 5/2017 Zhu et al.  
 D788,810 S 6/2017 Kim  
 D789,946 S 6/2017 Sun et al.  
 D789,974 S 6/2017 Guo et al.  
 D793,426 S 8/2017 Sun  
 D797,769 S 9/2017 Li  
 D803,239 S 11/2017 Yuk et al.  
 D805,102 S 12/2017 Stamatiou  
 D809,004 S \* 1/2018 Ishitsuka ..... D14/488  
 D815,656 S 4/2018 Price et al.  
 D829,240 S \* 9/2018 Rowny ..... D14/488  
 D832,884 S 11/2018 Clediere  
 D837,236 S 1/2019 Choi  
 D849,039 S 5/2019 Huh et al.  
 D851,654 S \* 6/2019 Bae ..... D14/485  
 D858,546 S 9/2019 Haile et al.  
 D860,220 S 9/2019 Gupta  
 D861,010 S \* 9/2019 Anzures ..... D14/485  
 D861,715 S 10/2019 Haile et al.  
 D863,332 S 10/2019 Choi et al.  
 D868,824 S \* 12/2019 Chen ..... D14/488  
 D872,742 S \* 1/2020 Park ..... D14/485  
 2006/0036959 A1 2/2006 Heatherly et al.  
 2006/0177153 A1 8/2006 King et al.  
 2007/0118813 A1 5/2007 Forstall et al.  
 2010/0302409 A1 12/2010 Matas et al.  
 2011/0078050 A1 3/2011 Schwartz et al.  
 2011/0289435 A1 11/2011 Kim et al.  
 2012/0009896 A1 1/2012 Bandyopadhyay et al.  
 2012/0123915 A1 \* 5/2012 Risnoveanu ..... G06Q 20/10  
 705/30  
 2012/0192074 A1 7/2012 Patterson et al.  
 2012/0297342 A1 11/2012 Jang et al.  
 2013/0073985 A1 3/2013 Hamlin et al.  
 2013/0132854 A1 \* 5/2013 Raleigh ..... G06F 3/0482  
 715/738  
 2013/0139109 A1 5/2013 Kim et al.  
 2013/0181045 A1 7/2013 Dessert et al.

2014/0189608 A1 7/2014 Shuttleworth et al.  
 2014/0191986 A1 7/2014 Kim et al.  
 2014/0223376 A1 8/2014 Tarvainen et al.  
 2014/0280567 A1 9/2014 Kang et al.  
 2015/0052462 A1 2/2015 Kulkarni  
 2015/0058150 A1 2/2015 Gura et al.  
 2015/0062097 A1 3/2015 Chung et al.  
 2015/0074504 A1 3/2015 Iori et al.  
 2015/0156552 A1 6/2015 Wayans et al.  
 2015/0180914 A1 6/2015 Welinder et al.  
 2016/0077717 A1 \* 3/2016 Hur ..... G06F 3/04845  
 715/769  
 2016/0125842 A1 5/2016 Weinberg et al.  
 2016/0216871 A1 7/2016 Stamatiou  
 2016/0248840 A1 8/2016 Bockhold et al.  
 2016/0364687 A1 12/2016 Matson et al.  
 2017/0228127 A1 8/2017 Mukherjee et al.  
 2017/0332221 A1 11/2017 Lebeau et al.  
 2018/0039469 A1 2/2018 Han et al.  
 2018/0237140 A1 8/2018 Li et al.  
 2018/0241948 A1 8/2018 Jang et al.  
 2019/0037173 A1 1/2019 Lee et al.  
 2019/0205010 A1 7/2019 Fujii et al.

OTHER PUBLICATIONS

Instagram Gets Five New Filters, by Kahn, 9to5mac.com [online], published on Dec. 16, 2014, [retrieved on Nov. 6, 2019], retrieved from the Internet [URL: <https://9to5mac.com/2014/12/16/instagram-gets-5-new-filters-slo-mo-video-uploads-real-time-commenting-more/>] (Year: 2014).\*

Ali, "Nokia N9 Review: A Complete Walk Through: Meego/Harmattan Software and User Interface/Experience", posted Sep. 12, 2011, retrieved on Jul. 16, 2017 from <http://techprolonged.com/2011/11/nokia-n9-a-complete-walk-through-meego-harmattan-software-and-user-interface-experience/>, 3 pages.

Mina, "The New Twitter Interface, courtesy of fly.twitter.com", posted Dec. 10, 2011, retrieved on Jul. 16, 2017 from [http://www.88-bar.com/2011/12/is-twitter-catching-up-to-weibo-multimedia-and-emoji-in-western-social-media/section\\_home\\_web\\_en/](http://www.88-bar.com/2011/12/is-twitter-catching-up-to-weibo-multimedia-and-emoji-in-western-social-media/section_home_web_en/), 1 page.

Mittal, "Twitter Mobile Apps for Android and iOS Updated With Support for Login Verification", posted Aug. 6, 2013, retrieved on Jul. 16, 2017 from <https://techwhack.co/twitter-mobile-apps-android-ios-updated-support-login-verification/>, 2 pages.

International Search Report and Written Opinion for PCT Application No. PCT/US2016/015222, dated Jul. 20, 2016, 17 pages.

"How to Prototype iOS Apps Using Xcode and Storyboards", Hackbright Academy, retrieved on Nov. 9, 2019 from <https://hackbrightacademy.com/blog/prototype-ios-apps-with-xcode-storyboards/>, Jan. 18, 2014, 4 pages.

Miser, "Configuring an iPhone to Suit Your Preferences", retrieved on Nov. 11, 2019 from [www.informit.com/articles/article.aspx?p=2262895](http://www.informit.com/articles/article.aspx?p=2262895), Nov. 28, 2014, 2 pages.

King, Jr., "MixBit", retrieved on Nov. 5, 2019 from <https://www.androidpolice.com/2013/10/03/new-app-mixbit-a-company-founded-by-youtube-co-founders-releases-collaborative-video-editing-app-into-the-play-store>, 2013, 1 page.

Nayan, "Official Vine App Comes to Windows Phone Store", nokiapoweruser.com, retrieved from <https://nokiapoweruser.com/official-vine-app-comes-to-windows-phone-store-features-and-download-link/>, Nov. 12, 2013, 1 page.

PatrickJ, "Reel Director=Video Editing App for the Iphone 3GS", retrieved on Nov. 6, 2019 from [source.com/2009/10/20/reel-director-video-editing-app-for-the-iphone-3gs/](http://source.com/2009/10/20/reel-director-video-editing-app-for-the-iphone-3gs/), Oct. 20, 2009, 1 page.

Rapacciuolo, "Recording Video", dribbble.com, retrieved on Nov. 7, 2019 from <https://dribbble.com/shots/1666815-Recording-Video>, Aug. 1, 2014, 4 pages.

Samsung Galaxy S5, inside-galaxy.blogspot.com, retrieved on Mar. 31, 2016 from <http://inside-galaxy.blogspot.com/2014/08/samsung-galaxy-s5-how-to-change-volume.html>, Aug. 23, 2014, 5 pages.

Gliddon, "Shoot Video/Select Filter", dribbble.com, retrieved on Nov. 7, 2019 from <https://dribbble.com/shots/1757357-Shoot-Video-Select-Filter/attachments/285678>, Aug. 4, 2014, 2 pages.

(56)

**References Cited**

OTHER PUBLICATIONS

Vanhemert, "Vine's New Editing Features Could Unleash a Creative Boom", *Wired*, retrieved on Nov. 5, 2019 from <https://www.wired.com/2013/10/how-vines-new-editing-features-let-you-travel-through-time/>, Oct. 29, 2013, 2 pages.

Woollaston, et al, "Facebook Adds Video Instagram App", *dailymail.co.uk*, retrieved from <https://www.dailymail.co.uk/sciencetech/article-2345281/Facebook-adds-video-Instagram-app-bid-rival-Vine.html>, Jun. 20, 2013, 1 page.

\* cited by examiner

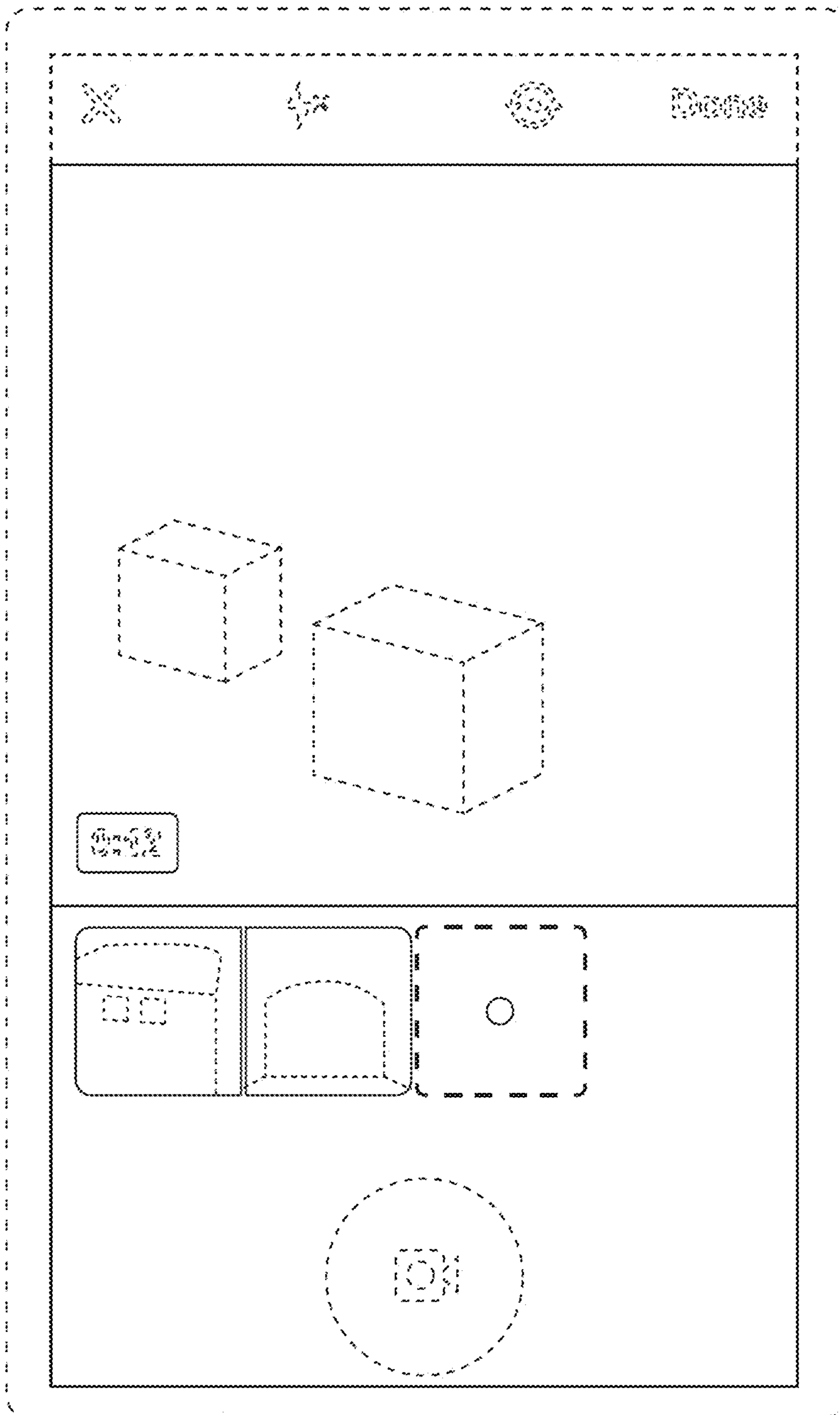


FIG. 1



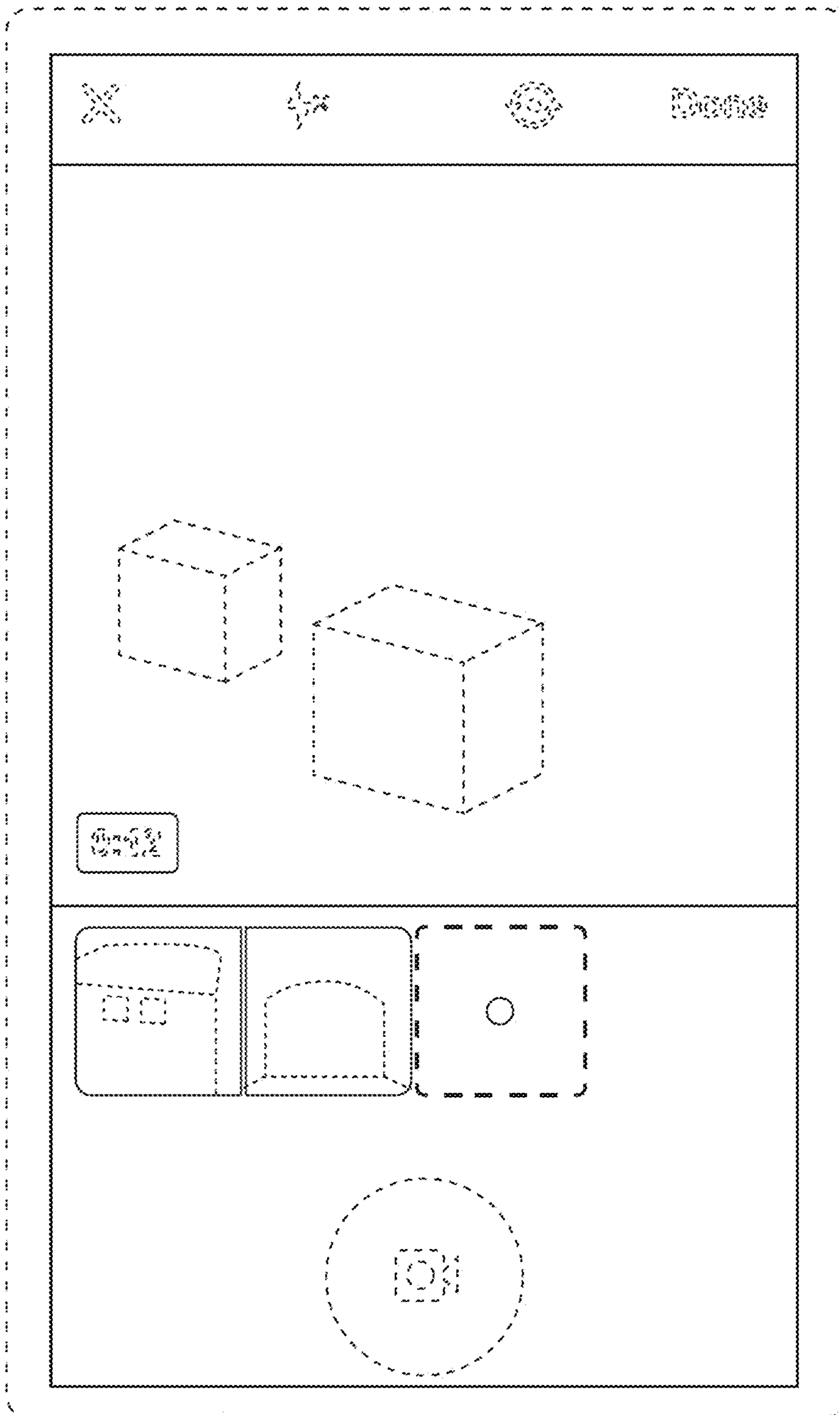


FIG. 2