



US00D877746S

(12) **United States Design Patent**
Pei

(10) **Patent No.:** **US D877,746 S**
(45) **Date of Patent:** **** Mar. 10, 2020**

(54) **TV MOUNT BRACKET**

A47B 88/044; A47B 2021/0335; H02G
3/126; F16B 47/00; F16B 47/006; A47G
1/17; A47K 2201/00

(71) Applicant: **Xubo Pei**, Shenzhen (CN)

See application file for complete search history.

(72) Inventor: **Xubo Pei**, Shenzhen (CN)

(73) Assignee: **Xubo Pei**, Shenzhen (CN)

(56) **References Cited**

(**) Term: **15 Years**

U.S. PATENT DOCUMENTS

(21) Appl. No.: **29/676,454**

D534,789	S	*	1/2007	Worrall	D8/363
D557,126	S	*	12/2007	Worrall	D14/452
D558,560	S	*	1/2008	Ciungan	D14/452
D562,113	S	*	2/2008	Ciungan	D14/452
D565,938	S	*	4/2008	Massoumi	D8/363
7,404,535	B2	*	7/2008	Mossman	F16M 11/041 248/323
D580,421	S	*	11/2008	Sculler	D14/239
D620,943	S	*	8/2010	Grey	D14/452

(22) Filed: **Jan. 11, 2019**

(Continued)

(30) **Foreign Application Priority Data**

Dec. 13, 2018 (CN) 2018 3 0723893

Primary Examiner — Katie Jane Stofko

(51) **LOC (12) Cl.** **14-02**

(74) *Attorney, Agent, or Firm* — Dave Law Group, LLC;
Raj S. Dave

(52) **U.S. Cl.**
USPC **D14/452**

(58) **Field of Classification Search**

USPC D14/371-382, 125-129, 336, 337,
D14/447-452, 492, 335, 376-382, 239,
D14/457, 439-441, 432, 251-253;
D8/349, 354, 363, 373, 376, 380;
D21/333; D12/415; D3/218; 348/180,
348/184, 325, 739, 825

CPC G06F 3/0412; G06F 3/016; G06F 3/0488;
G06F 3/011; G06F 3/038; G06F 3/03543;
G06F 3/0338; G06F 3/0202; G06F
3/0219; G06F 3/0213; G06F 1/1616;
G06F 3/023; G06F 3/04883; G02F
1/13338; G02F 1/1313; G02F 1/1333;
G02F 1/135; G02F 1/132; G02F
1/133308; G02F 1/134309; G02F
1/13718; G09G 3/3648; G06K 15/1252;
B41J 2/465; G03F 7/70291; G02B
27/0172; G02B 5/30; G02B 2027/0118;
G02B 27/0101; F16M 13/02; F16M
13/00; F16M 11/10; F16M 11/04; F16M
2200/08; F16M 11/2021; A47B 21/0314;

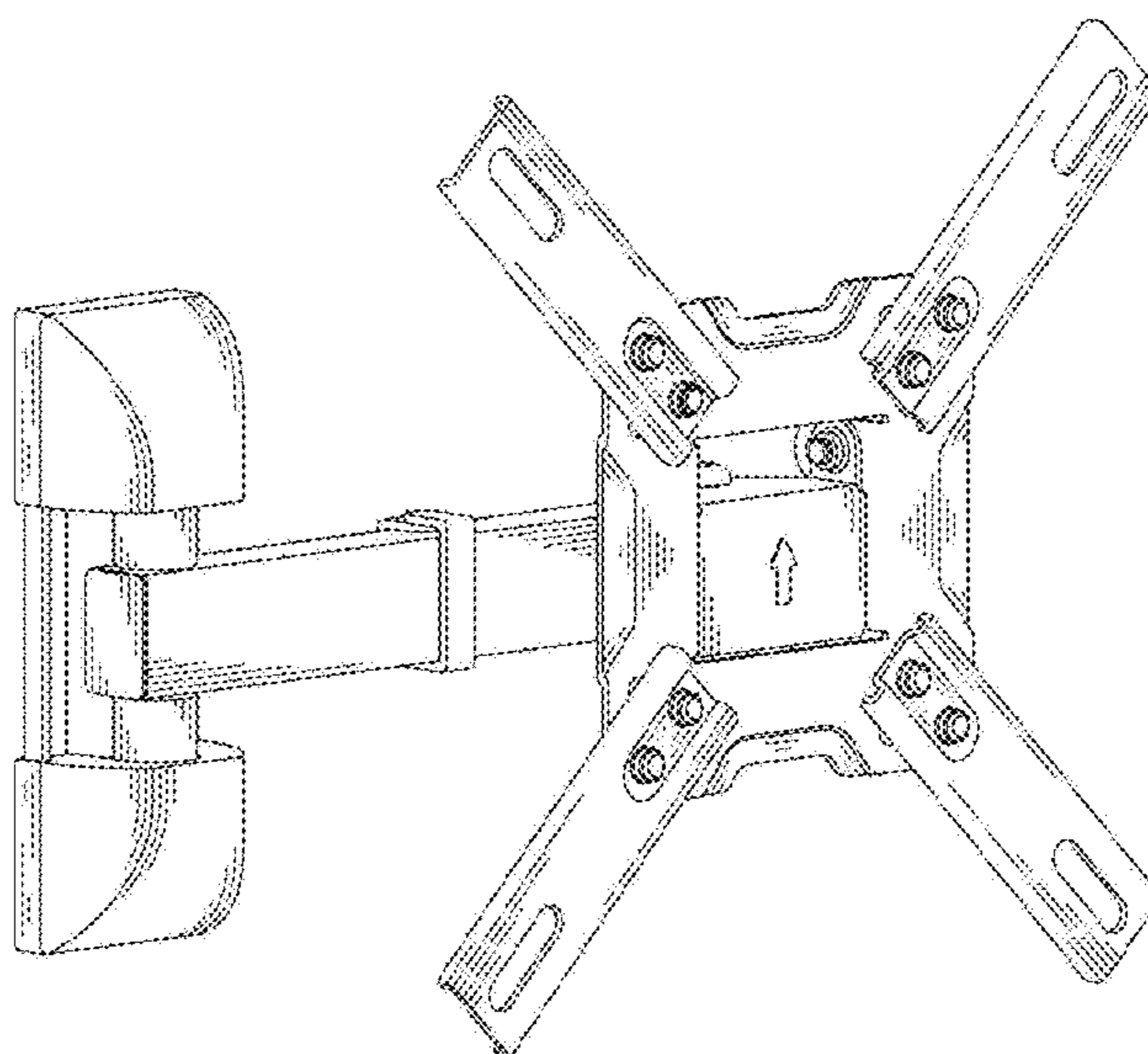
(57) **CLAIM**

The ornamental design for a TV mount bracket, as shown and described.

DESCRIPTION

FIG. 1 is a front view of a TV mount bracket showing the new design;
FIG. 2 is a rear view thereof;
FIG. 3 is a left side view thereof;
FIG. 4 is a right side view thereof;
FIG. 5 is a top side view thereof;
FIG. 6 is a bottom side view thereof;
FIG. 7 is a front, top, and left side perspective view thereof;
FIG. 8 is a front, top, and left side thereof perspective view thereof, shown in an alternate position; and,
FIG. 9 is a rear, top, and left side perspective view thereof, shown in an alternate position.
The shade lines in the Figures show contour and not surface ornamentation.

1 Claim, 7 Drawing Sheets



(56)

References Cited

U.S. PATENT DOCUMENTS

D660,842 S *	5/2012	Kaluza	D14/452
D662,103 S *	6/2012	Brandt	D14/452
D677,263 S *	3/2013	Luijben	D14/451
D700,593 S *	3/2014	Xiang	D14/239
8,827,226 B2 *	9/2014	Townsend	F16M 11/10 220/3.5

* cited by examiner

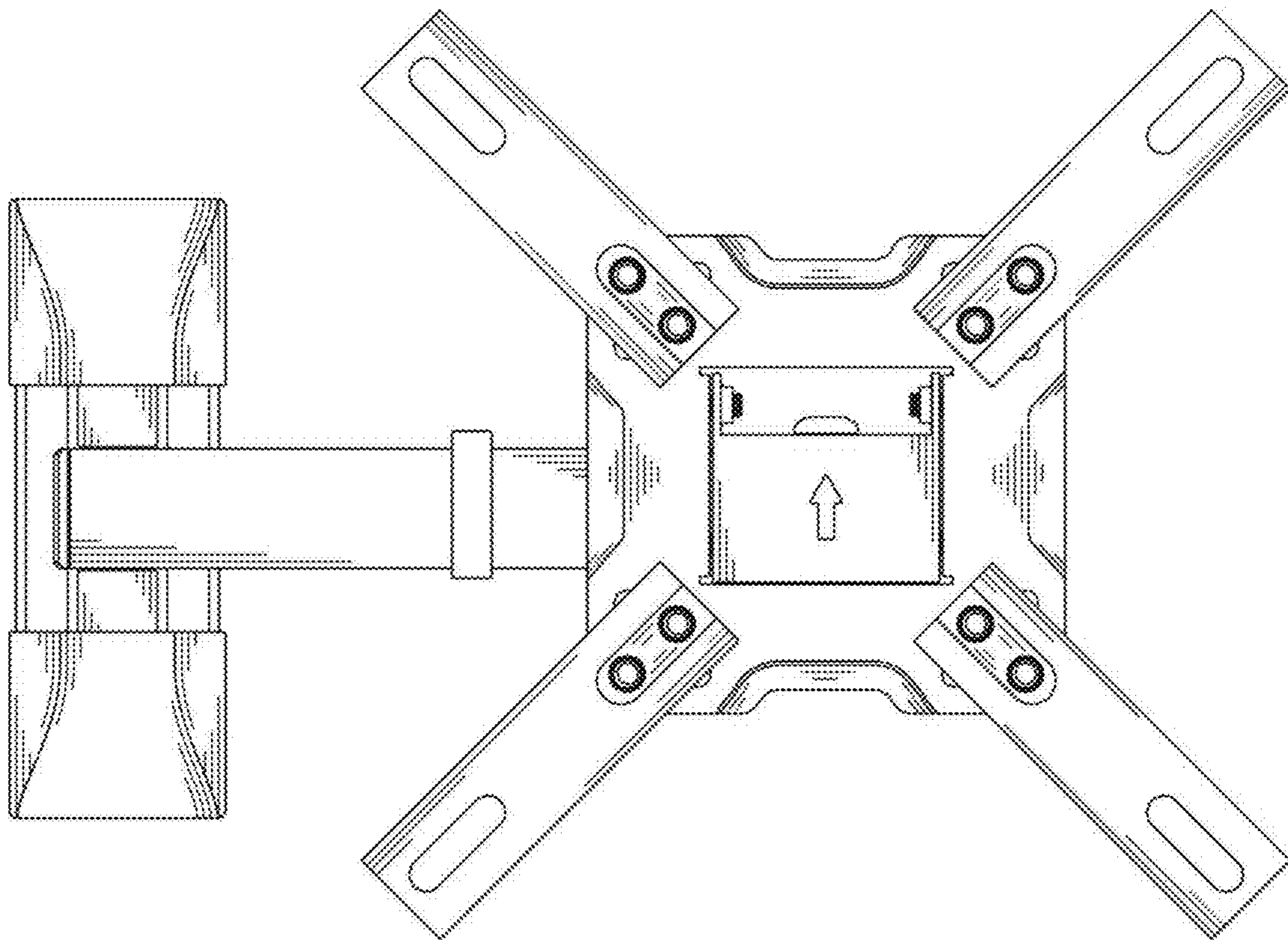


FIG. 1

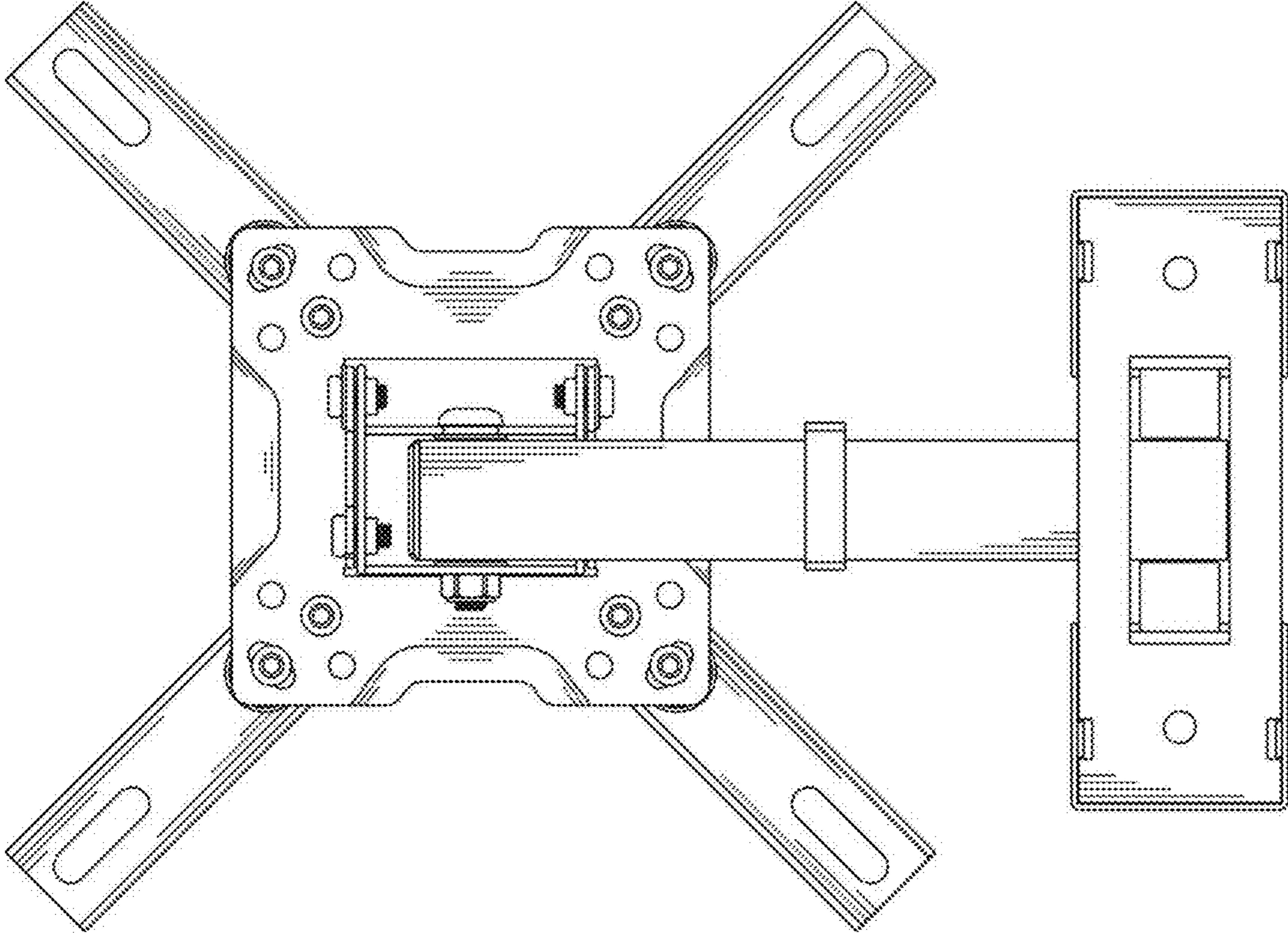


FIG. 2

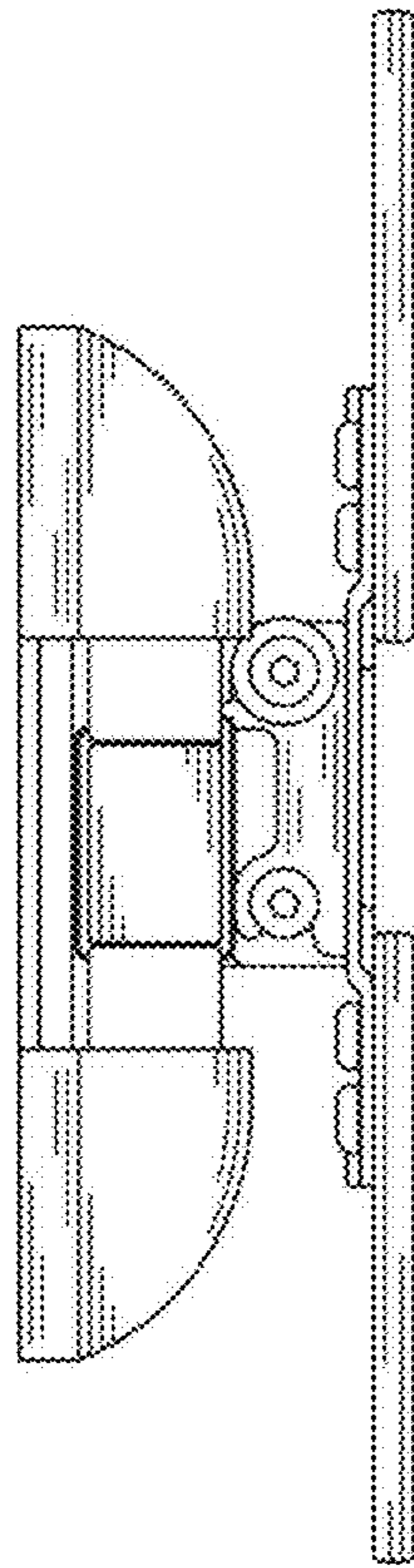


FIG. 3

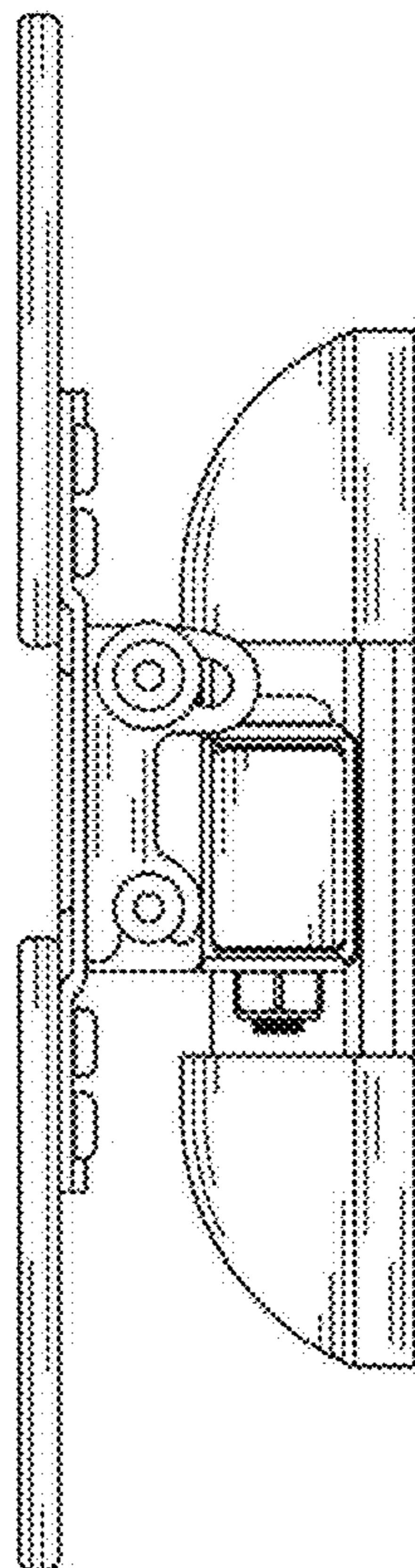


FIG. 4

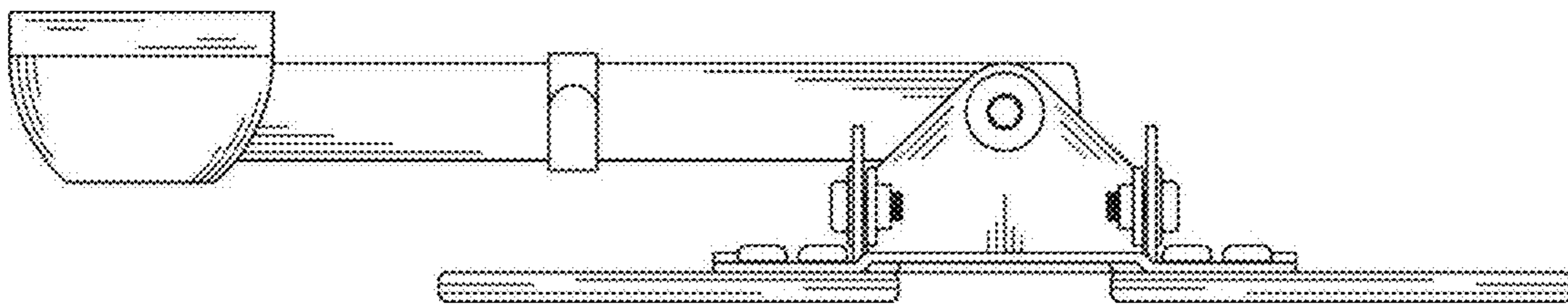


FIG. 5

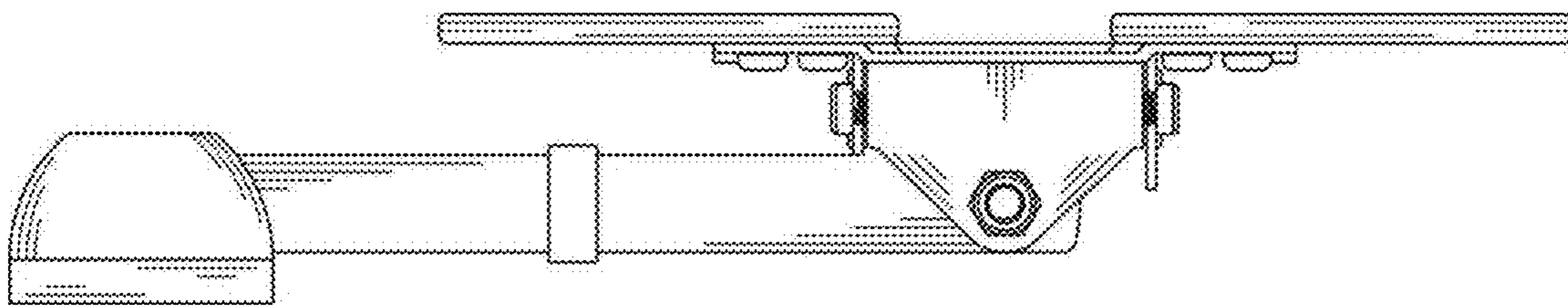


FIG. 6

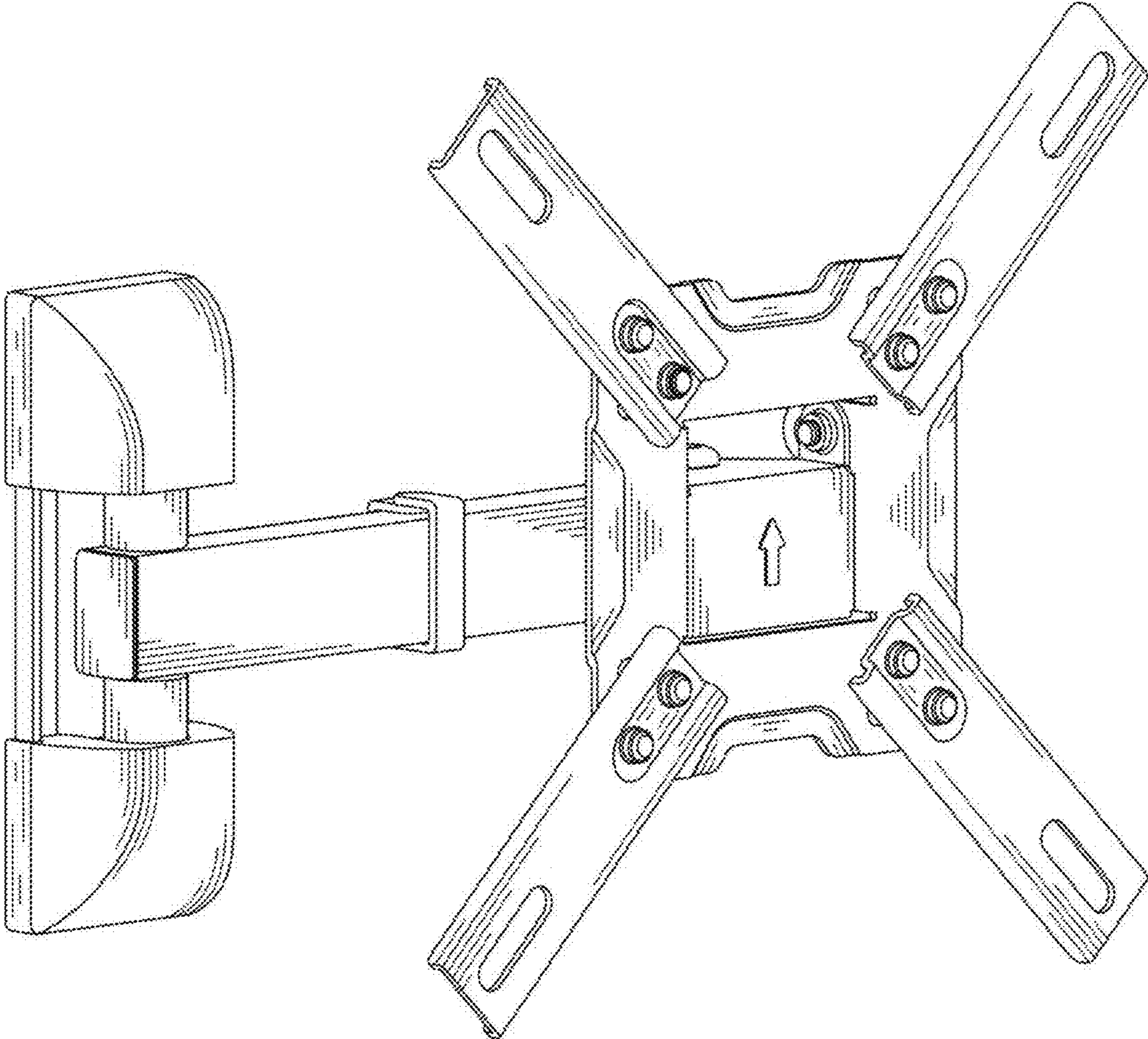


FIG. 7

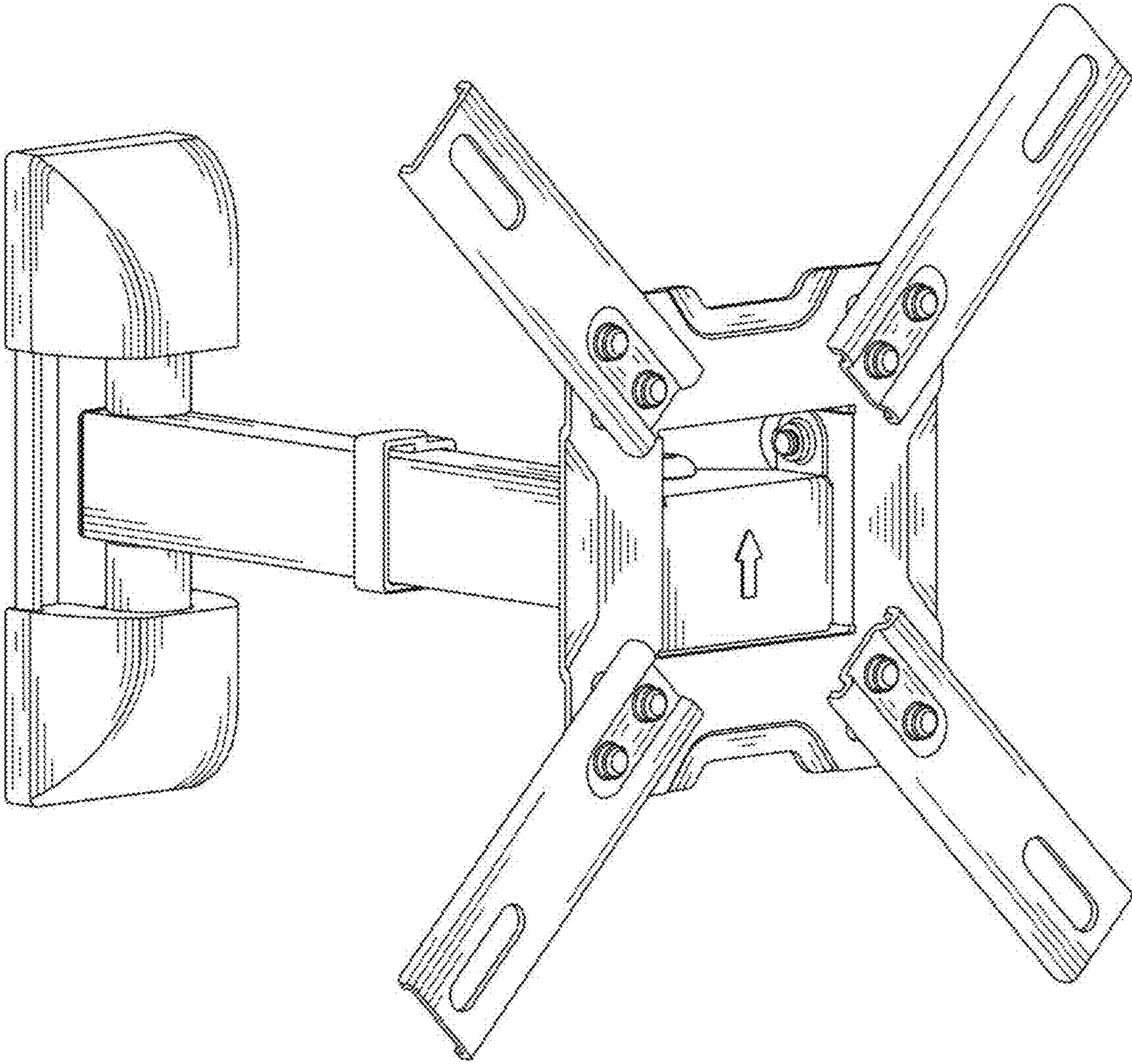


FIG. 8

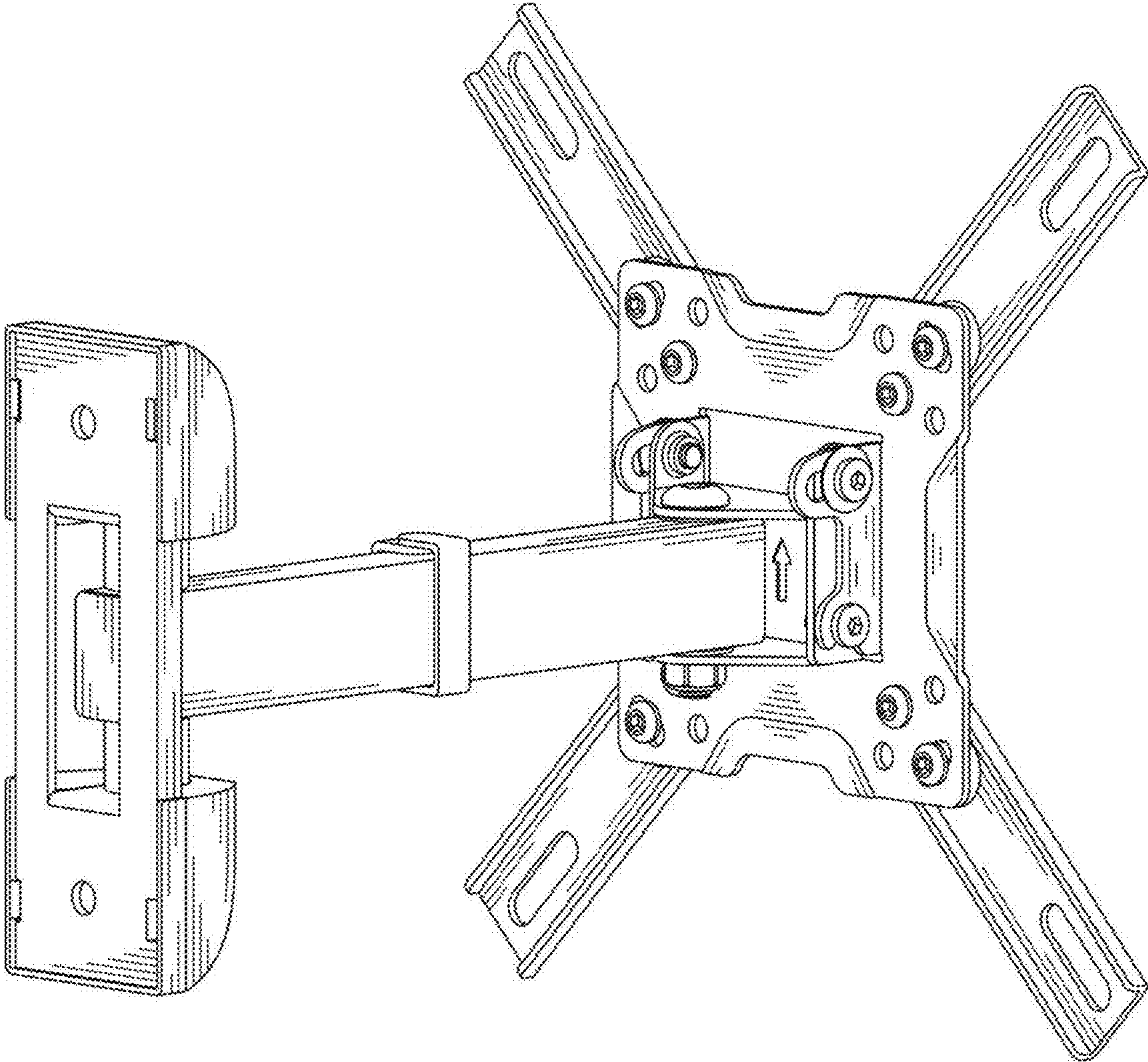


FIG. 9