



US00D877745S

(12) **United States Design Patent**  
**Knapp et al.**

(10) **Patent No.:** **US D877,745 S**  
(45) **Date of Patent:** **\*\* Mar. 10, 2020**

(54) **ADJUSTABLE MONITOR STAND**

G02B 27/0101; A47B 21/0314; A47B 88/044; A47B 2021/0335

(71) Applicant: **CKnapp Sales, Inc.**, Goodfield, IL (US)

See application file for complete search history.

(72) Inventors: **Chance Knapp**, Goodfield, IL (US);  
**Brandon Meyer**, Normal, IL (US)

(56) **References Cited**

(73) Assignee: **CKnapp Sales, Inc.**, Goodfield, IL (US)

U.S. PATENT DOCUMENTS

(\*\*) Term: **15 Years**

(21) Appl. No.: **29/672,687**

7,195,214	B2 *	3/2007	Lee	.....	F16M 11/08
					248/125.8
7,369,401	B1 *	5/2008	Floersch	.....	F16M 11/08
					292/301
D649,552	S *	11/2011	Huang	.....	F16M 11/08
					D14/452
D660,308	S *	5/2012	Huang	.....	D14/452
8,534,615	B2 *	9/2013	Huang	.....	F16M 11/045
					248/125.1
D787,237	S *	5/2017	Bowman	.....	D6/656.15
D791,776	S *	7/2017	Monsalve	.....	D14/447
9,958,108	B2 *	5/2018	Bowman	.....	F16M 11/18
D836,091	S *	12/2018	Shu	.....	D14/239

(22) Filed: **Dec. 7, 2018**

(51) **LOC (12) Cl.** ..... **08-07**

(52) **U.S. Cl.**

USPC ..... **D14/452**

(58) **Field of Classification Search**

USPC ..... D14/371-382, 125-129, 336, 337, D14/447-452, 492, 335, 376-382, 239, D14/457, 439-441, 432, 251-253; D8/349, 354, 363, 373, 376, 380; D21/333; D12/415; D3/218; 348/180, 348/184, 325, 739, 825; 248/124.1, 248/125.8, 125.9, 176.1, 411

CPC ..... G06F 3/0412; G06F 3/016; G06F 3/0488; G06F 3/011; G06F 3/038; G06F 3/03543; G06F 3/0338; G06F 3/0202; G06F 3/0219; G06F 3/0213; G06F 1/1616; G06F 3/023; G06F 3/04883; G02F 1/13338; G02F 1/1313; G02F 1/1333; G02F 1/135; G02F 1/132; G02F 1/133308; G02F 1/134309; G02F 1/13718; G09G 3/3648; G06K 15/1252; B41J 2/465; G03F 7/70291; F16M 13/02; F16M 13/00; F16M 11/10; F16M 11/04; F16M 2200/08; F16M 11/2021; H02G 3/126; A47G 1/17; A47K 2201/00; G02B 27/0172; G02B 5/30; G02B 2027/0118;

(Continued)

*Primary Examiner* — Katie Jane Stofko

(74) *Attorney, Agent, or Firm* — Todd Fronek; Larkin Hoffman Daily & Lindgren, Ltd.

(57) **CLAIM**

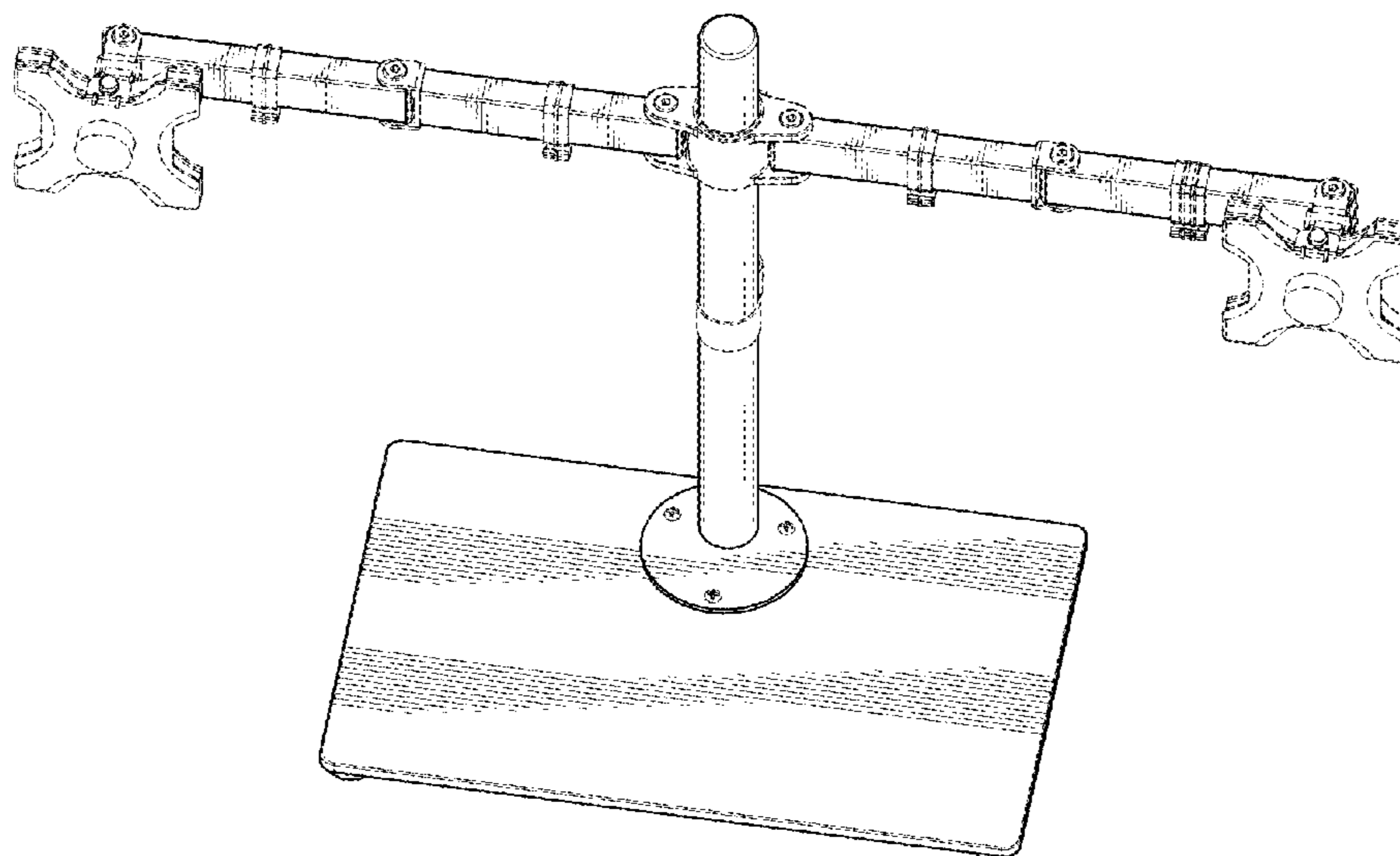
The ornamental design for an adjustable monitor stand, as shown and described.

**DESCRIPTION**

FIG. 1 is a top perspective view of an adjustable monitor stand showing the new design;  
 FIG. 2 is a bottom perspective view thereof;  
 FIG. 3 is a front view thereof;  
 FIG. 4 is a back view thereof;  
 FIG. 5 is a left side view thereof;  
 FIG. 6 is a right side view thereof;  
 FIG. 7 is a top plan view thereof; and,  
 FIG. 8 is a bottom plan view thereof.

The broken lines in FIGS. 1-8 illustrate portions of the adjustable monitor stand that form no part of the claimed design.

**1 Claim, 8 Drawing Sheets**



(56)

**References Cited**

U.S. PATENT DOCUMENTS

D853,404 S \* 7/2019 Bowman ..... D14/452  
D854,861 S \* 7/2019 Lee ..... D6/656  
2007/0205340 A1\* 9/2007 Jung ..... F16M 11/24  
248/125.9  
2008/0117578 A1\* 5/2008 Moscovitch ..... F16M 11/105  
361/679.04  
2009/0134285 A1\* 5/2009 Huang ..... F16M 11/08  
248/124.1  
2017/0202351 A1\* 7/2017 Bowman ..... F16M 11/18

\* cited by examiner

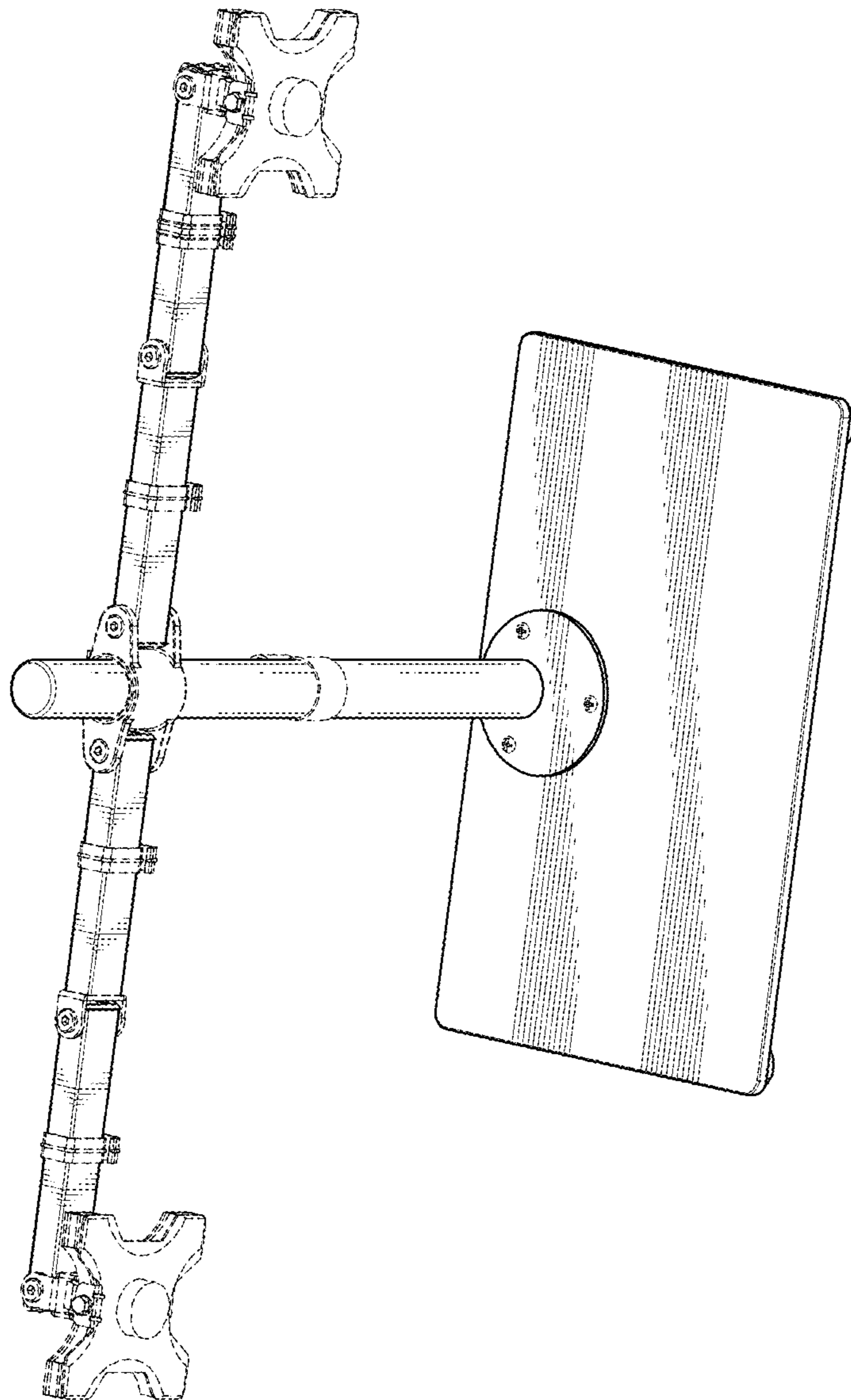


FIG. 1

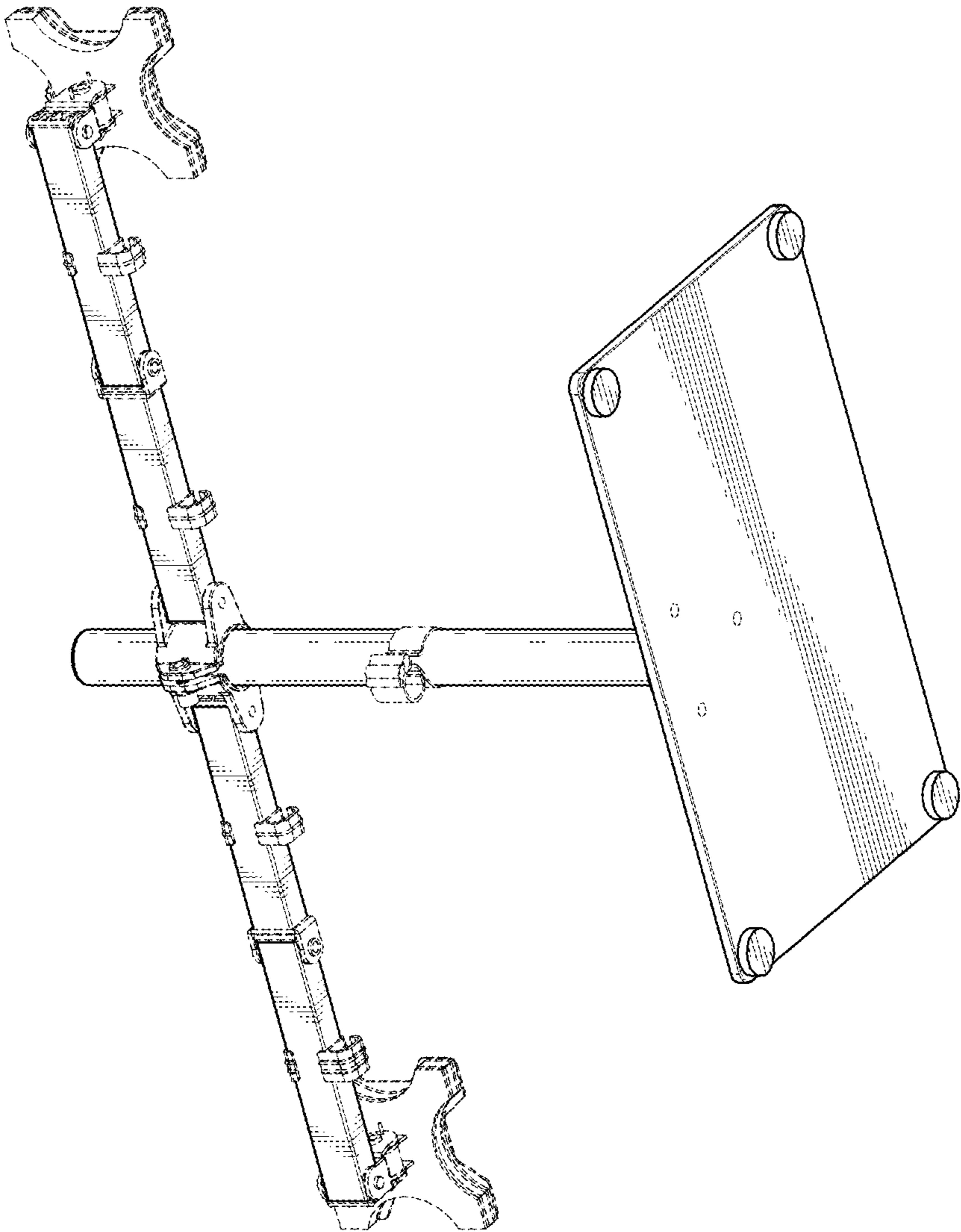


FIG. 2

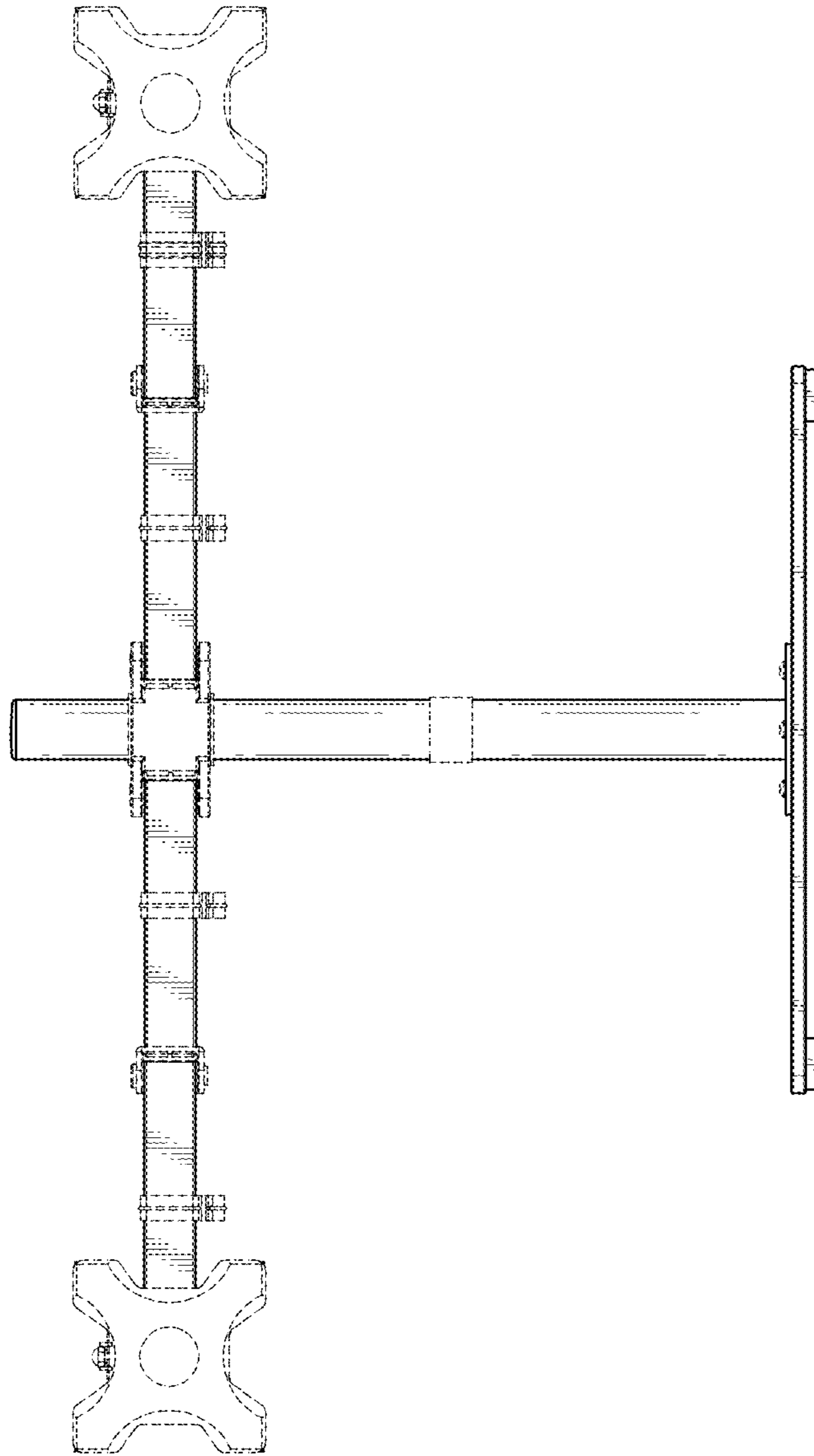


FIG. 3



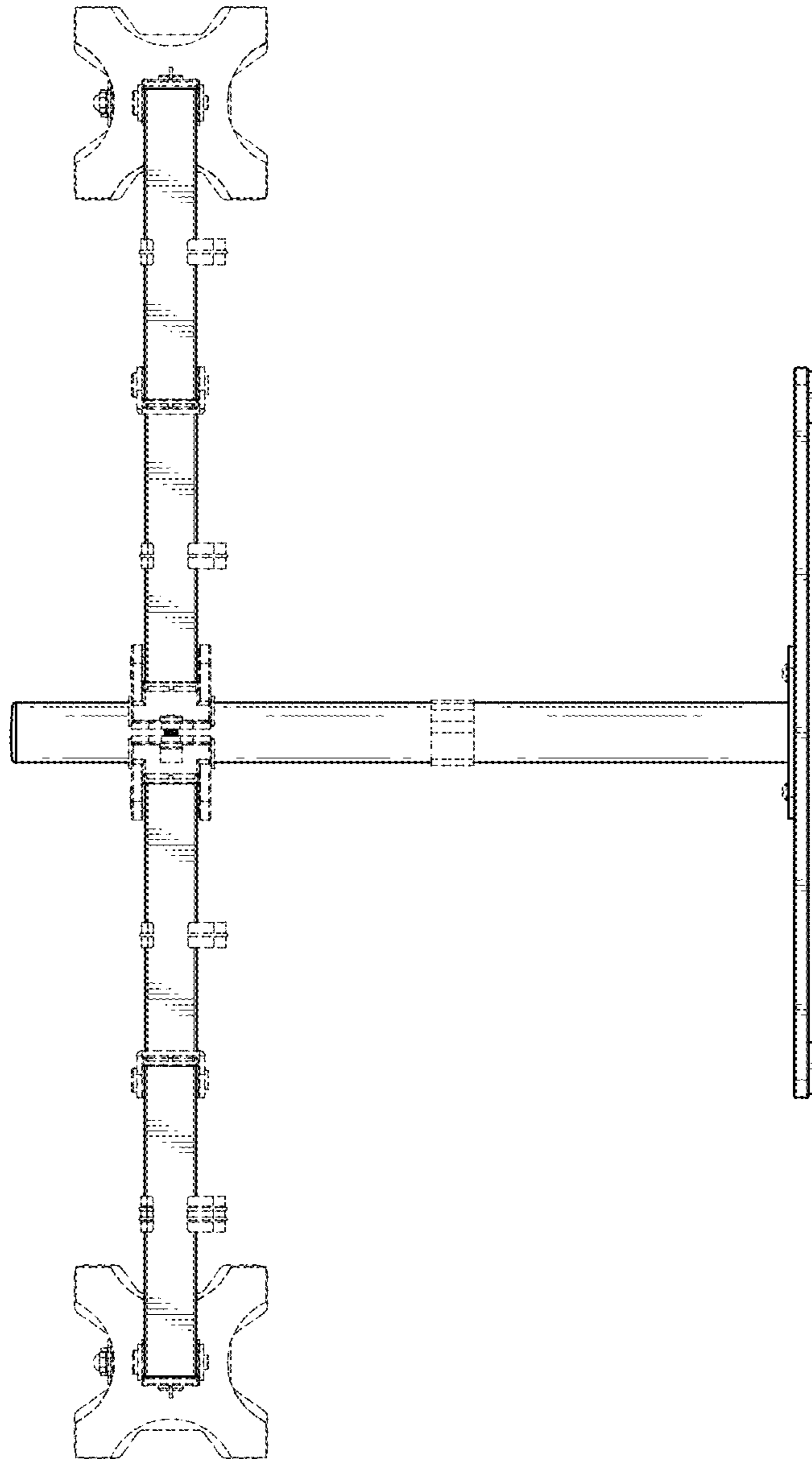


FIG. 4

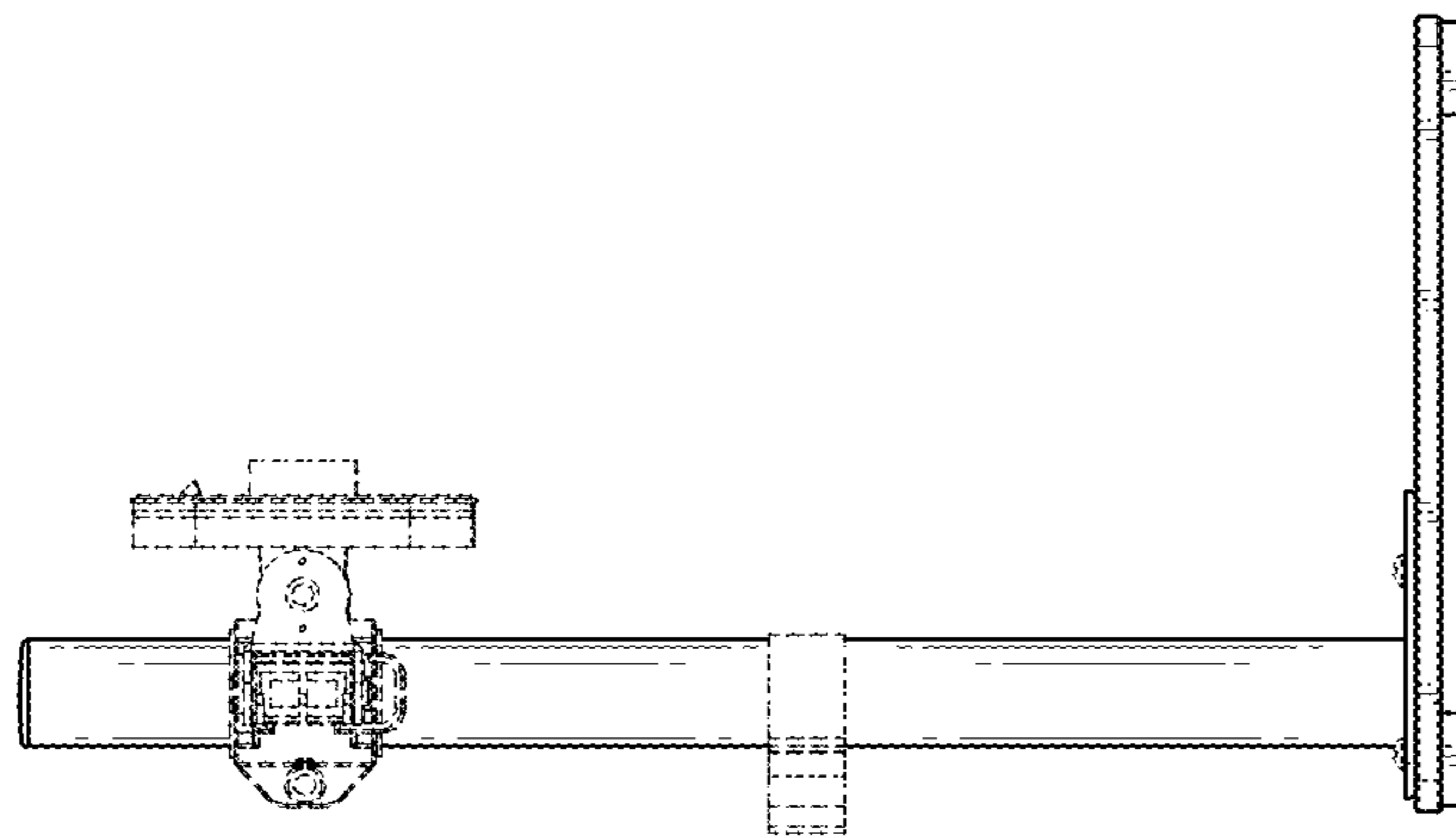


FIG. 5

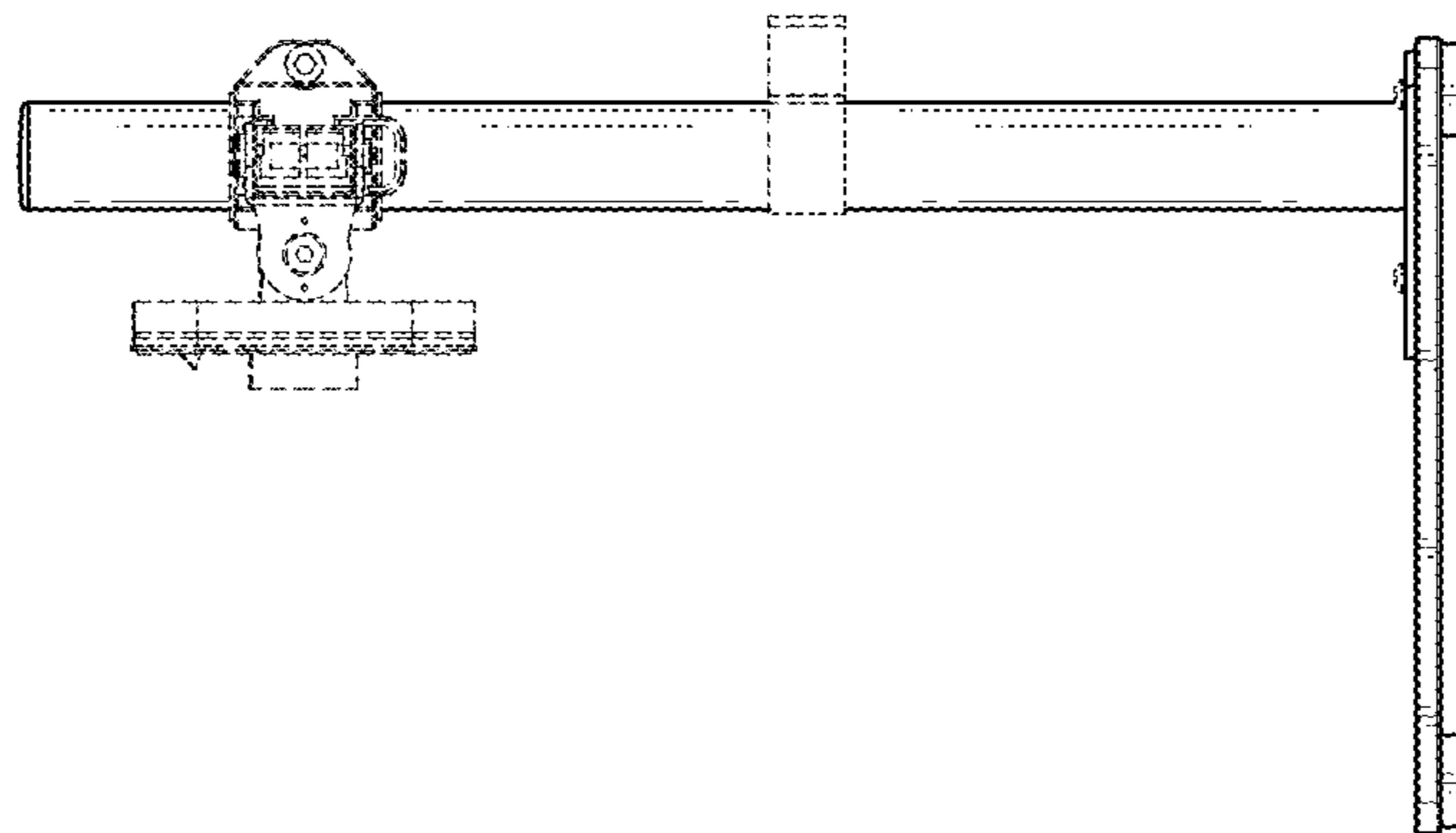


FIG. 6



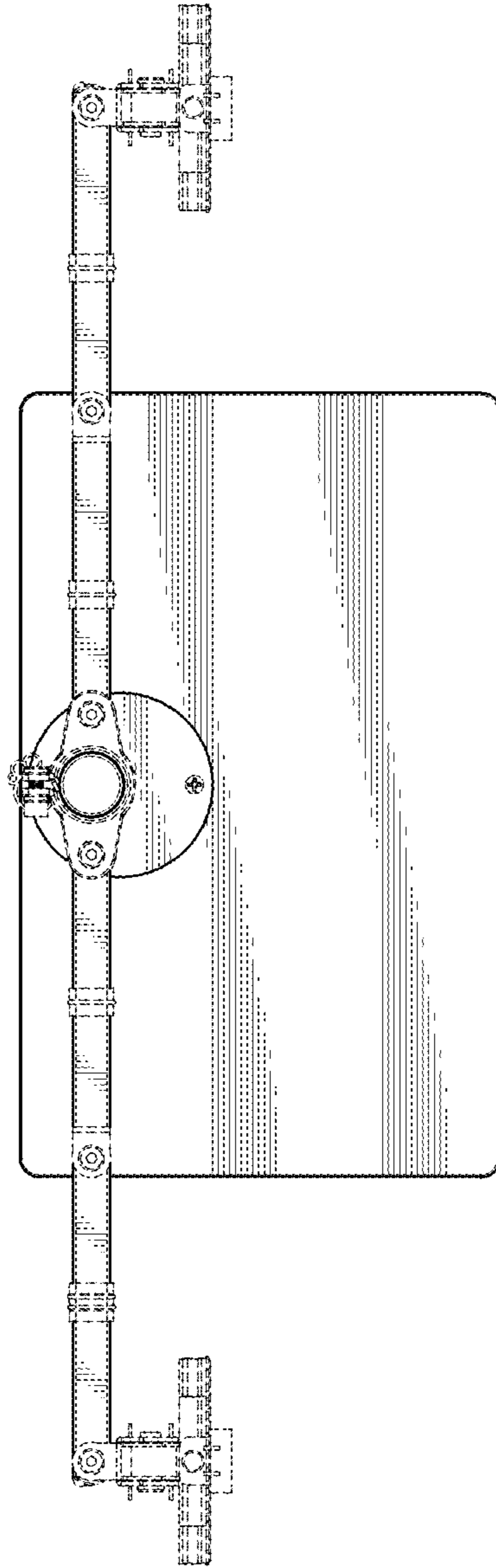


FIG. 7

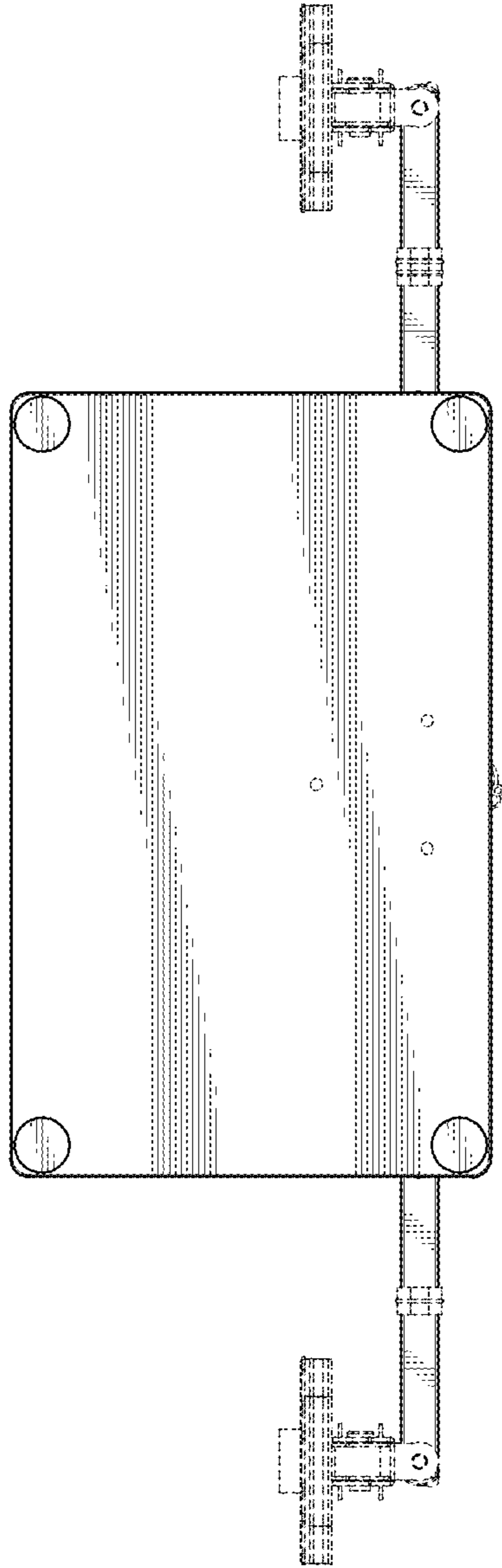


FIG. 8