

US00D877744S

(12) **United States Design Patent**
Xiang et al.

(10) **Patent No.:** **US D877,744 S**
(45) **Date of Patent:** **** Mar. 10, 2020**

(54) **MOUNTING ARM FOR DISPLAY STAND**

(71) Applicant: **Loctek Inc.**, Livermore, CA (US)

(72) Inventors: **Lehong Xiang**, Ningbo (CN); **Qiang Chen**, Ningbo (CN)

(73) Assignee: **Loctek Inc.**, Livermore, CA (US)

(**) Term: **15 Years**

(21) Appl. No.: **29/612,409**

(22) Filed: **Aug. 1, 2017**

(30) **Foreign Application Priority Data**

Mar. 24, 2017 (CN) 2017 3 0090990

(51) **LOC (12) Cl.** **14-02**

(52) **U.S. Cl.**
USPC **D14/452**

(58) **Field of Classification Search**

USPC D14/447-452, 336, 341, 371, 373, 374,
D14/375, 376, 377, 126, 127, 128, 129
CPC F16M 11/105; F16M 11/10; F16M 11/048;
F16M 11/12; F16M 13/022

See application file for complete search history.

(56) **References Cited**

U.S. PATENT DOCUMENTS

7,694,927 B2 * 4/2010 Chuang F16M 11/041
248/276.1
D631,052 S * 1/2011 Hung D14/452
D741,869 S * 10/2015 Xiang D14/452
D745,873 S * 12/2015 Xiang D14/452
D747,179 S * 1/2016 Xiang D8/363
D758,375 S * 6/2016 Won D14/451
D805,085 S * 12/2017 Xiang D14/452
D807,373 S * 1/2018 Thetard D14/452
D830,371 S * 10/2018 Lau D14/452
2008/0029670 A1 * 2/2008 Hung F16M 11/041
248/278.1

2011/0260017 A1* 10/2011 Monsalve F16M 11/2014
248/201
2014/0367137 A1* 12/2014 Leung H02G 3/045
174/68.3
2018/0112820 A1* 4/2018 Lau F16M 11/14

FOREIGN PATENT DOCUMENTS

CN 303531840 * 12/2015
CN 304476238 * 1/2018

OTHER PUBLICATIONS

FlexiSpot. https://flexispot.com/shop/accessories/flexispot-gas-spring-single-dual-monitor-mount/?gclid=EAlalQobChMI7tmTk_2u3wIVwmSGCh04gQ5wEAQYAiABEgJN9fD_BwE. Visited Dec. 20, 2018. Single Monitor Mount. (Year: 2018).*

* cited by examiner

Primary Examiner — Susan Bennett Hattan

Assistant Examiner — Lauren D McVey

(74) *Attorney, Agent, or Firm* — W&K IP

(57) **CLAIM**

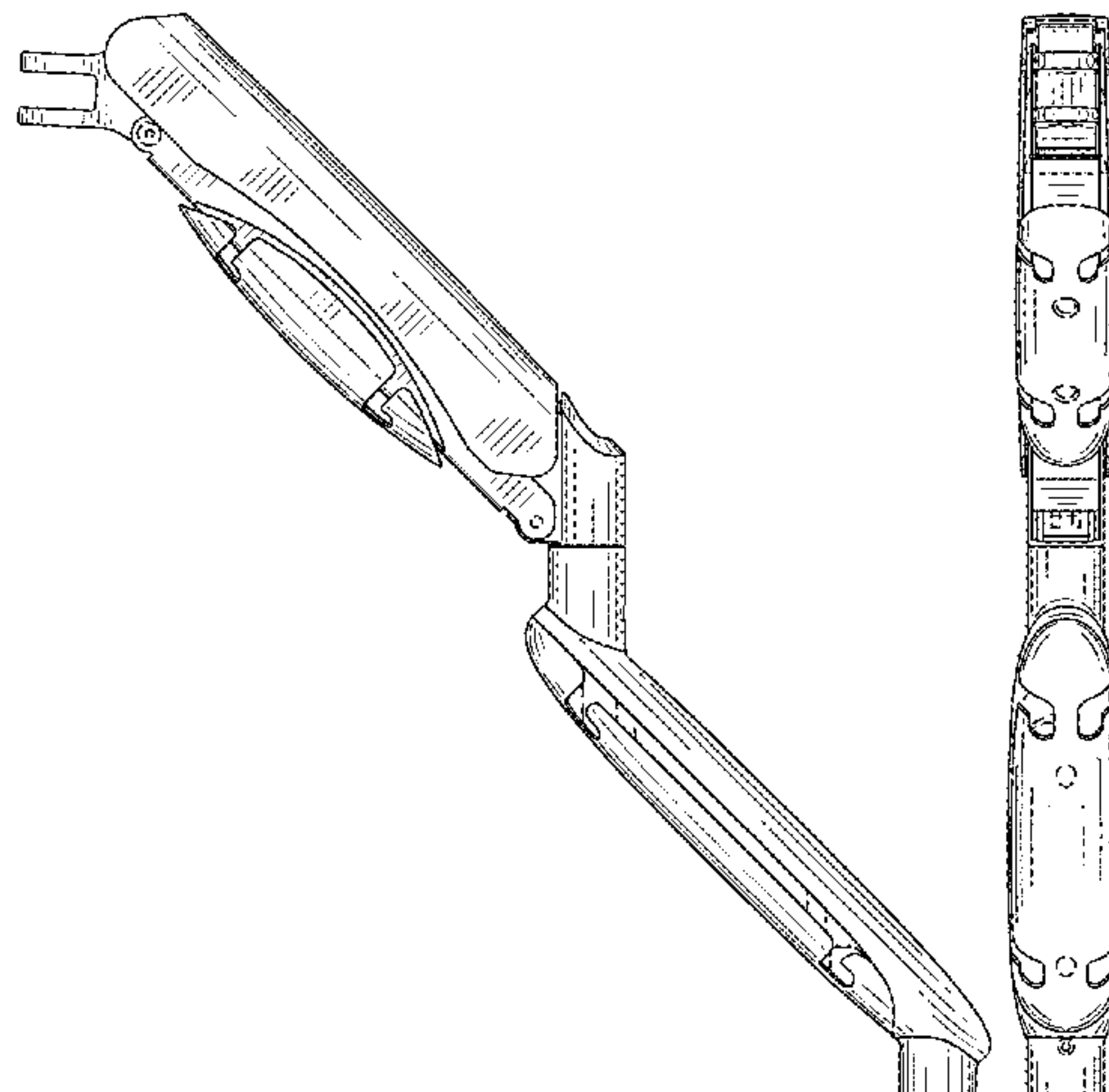
The ornamental design for mounting arm for display stand, as shown and described.

DESCRIPTION

FIG. 1 is a perspective view of a mounting arm for display stand showing our new design;
FIG. 2 is a front view thereof;
FIG. 3 is a rear view thereof;
FIG. 4 is a left side view thereof;
FIG. 5 is a right side view thereof;
FIG. 6 is a top plan view thereof;
FIG. 7 is a bottom plan view thereof; and,
FIG. 8 is a position of use perspective view showing our new design with environment.

The broken lines that are immediately adjacent to the shaded areas and define unshaded regions depict the bounds of the

(Continued)



claimed design. All other broken lines are directed to environment. The broken lines form no part of the claimed design.

1 Claim, 8 Drawing Sheets

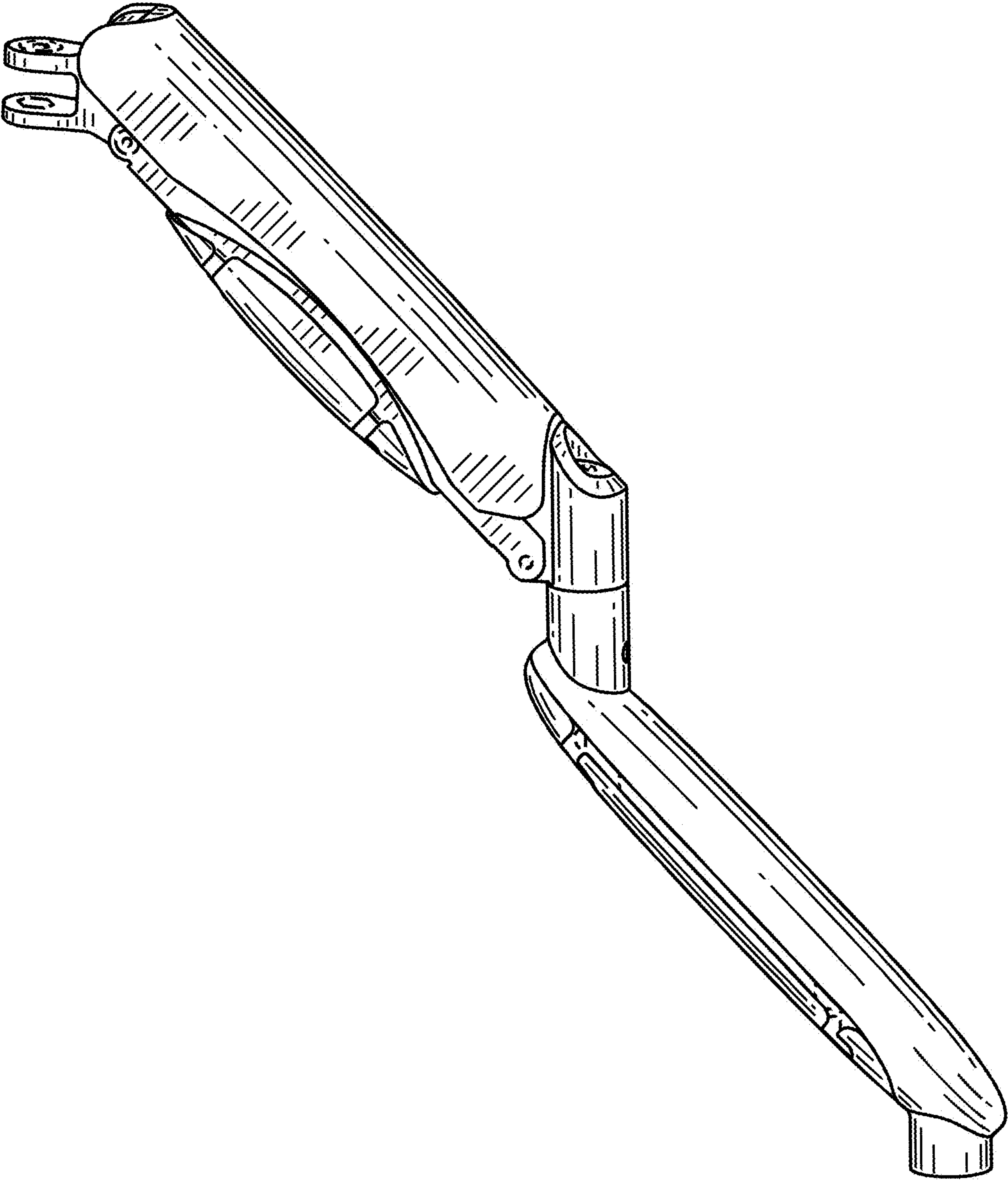


FIG. 1

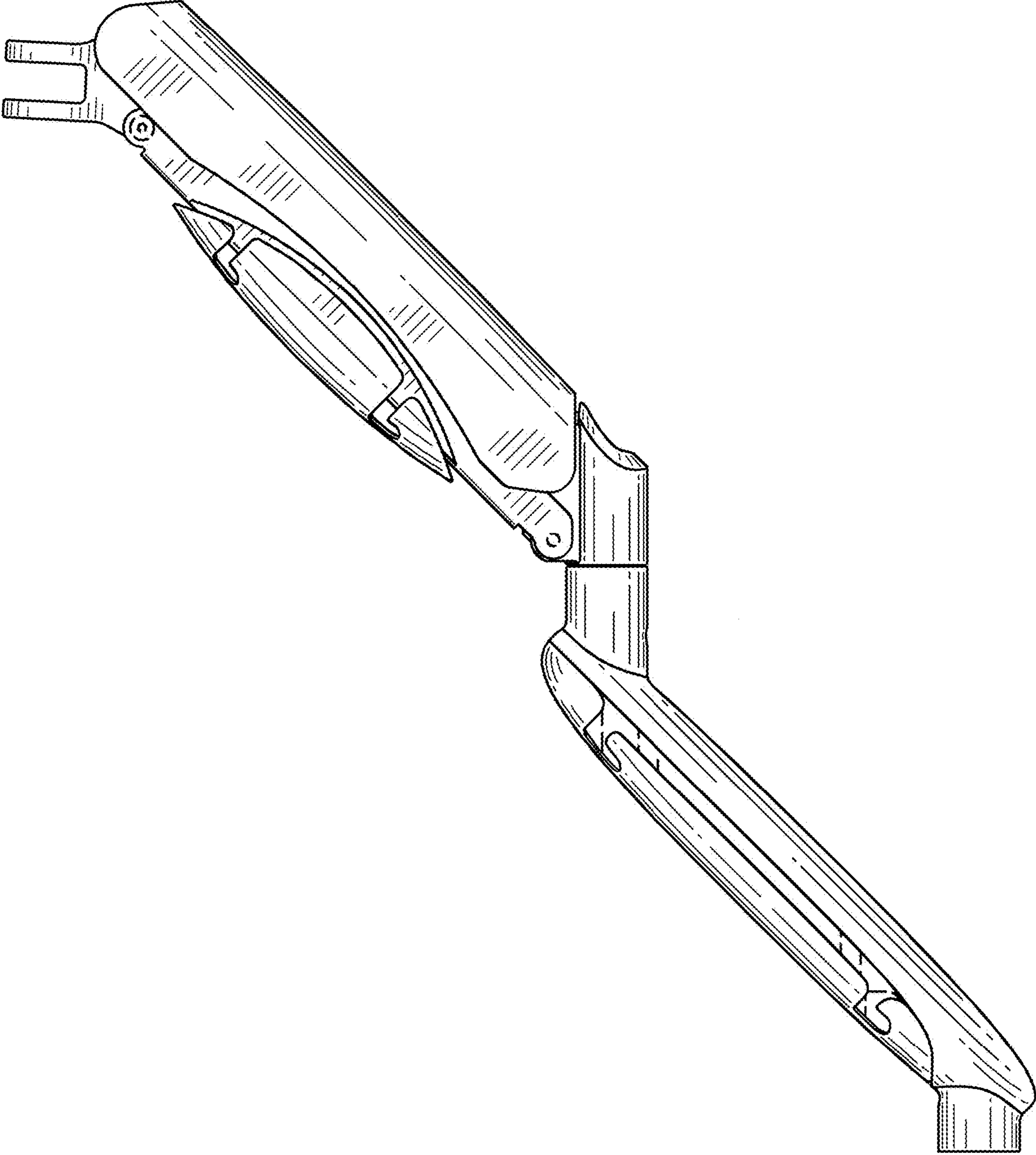


FIG. 2

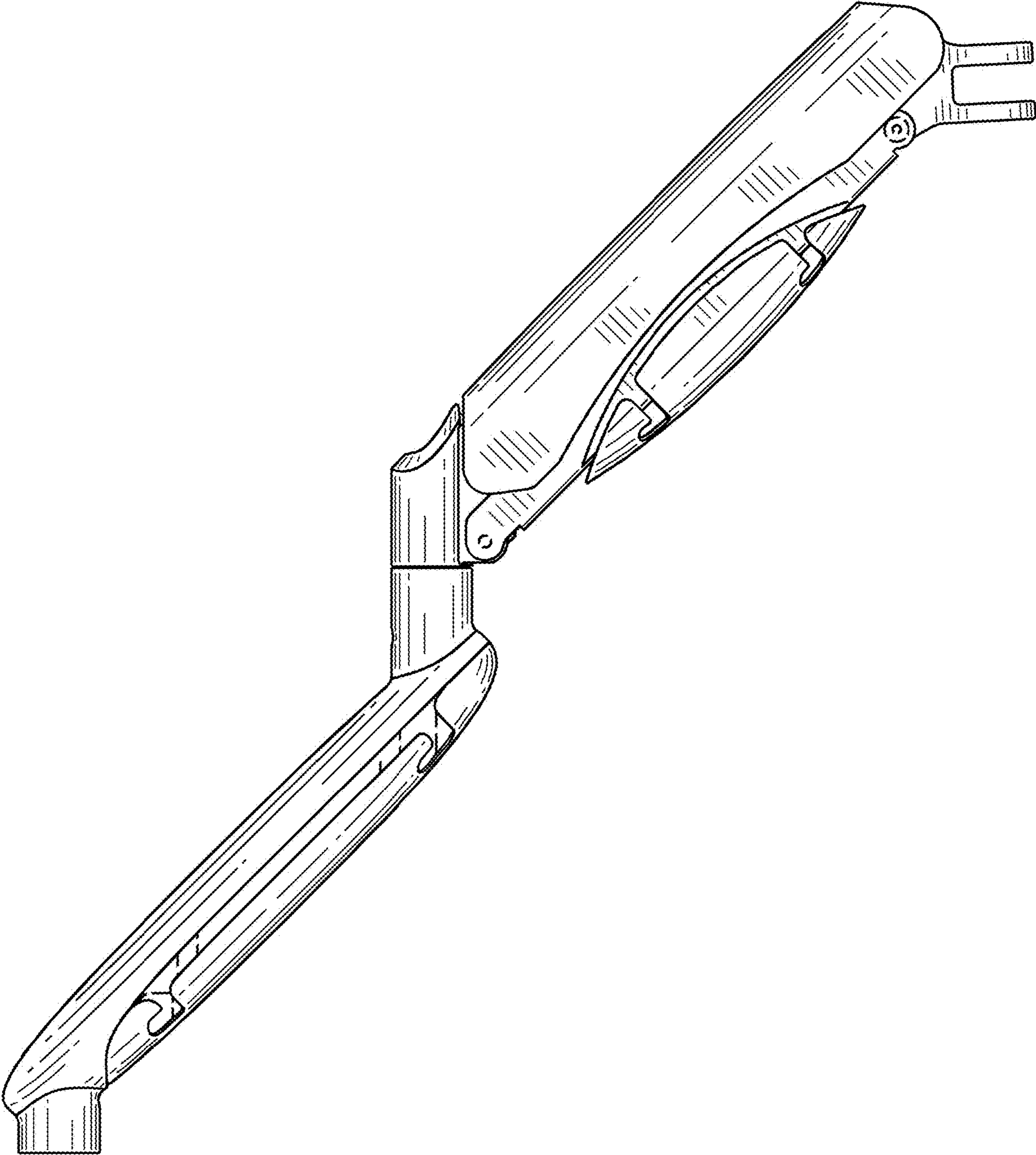


FIG. 3

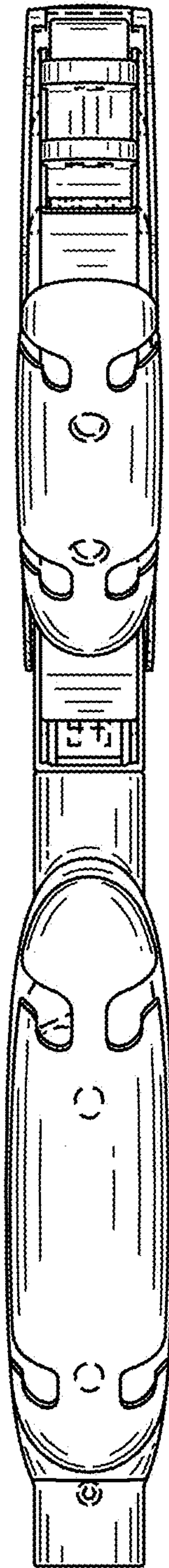


FIG. 4

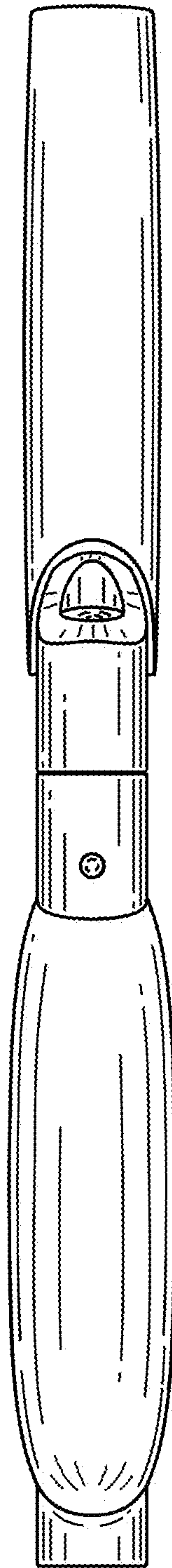


FIG. 5

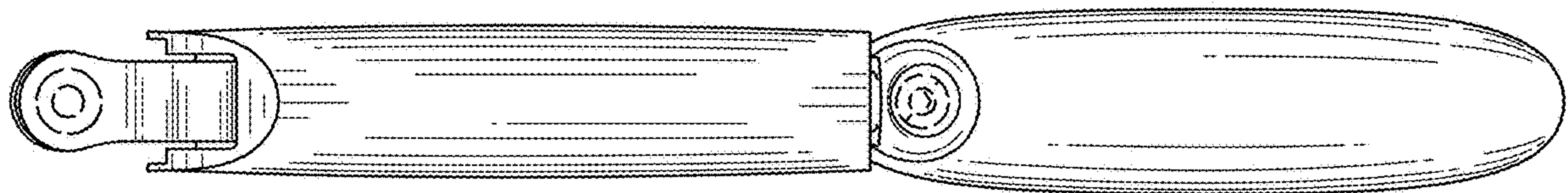


FIG. 6

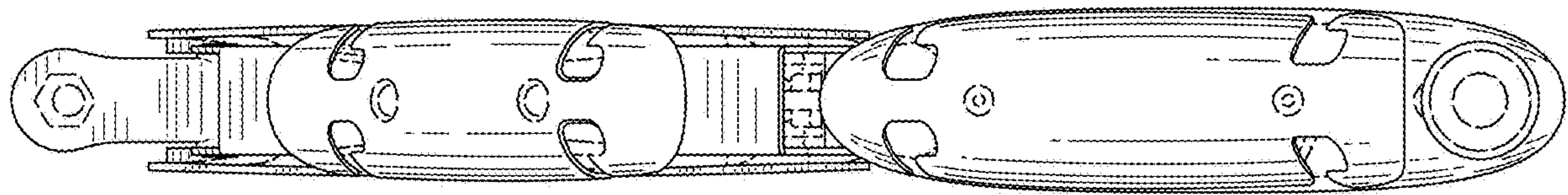


FIG. 7

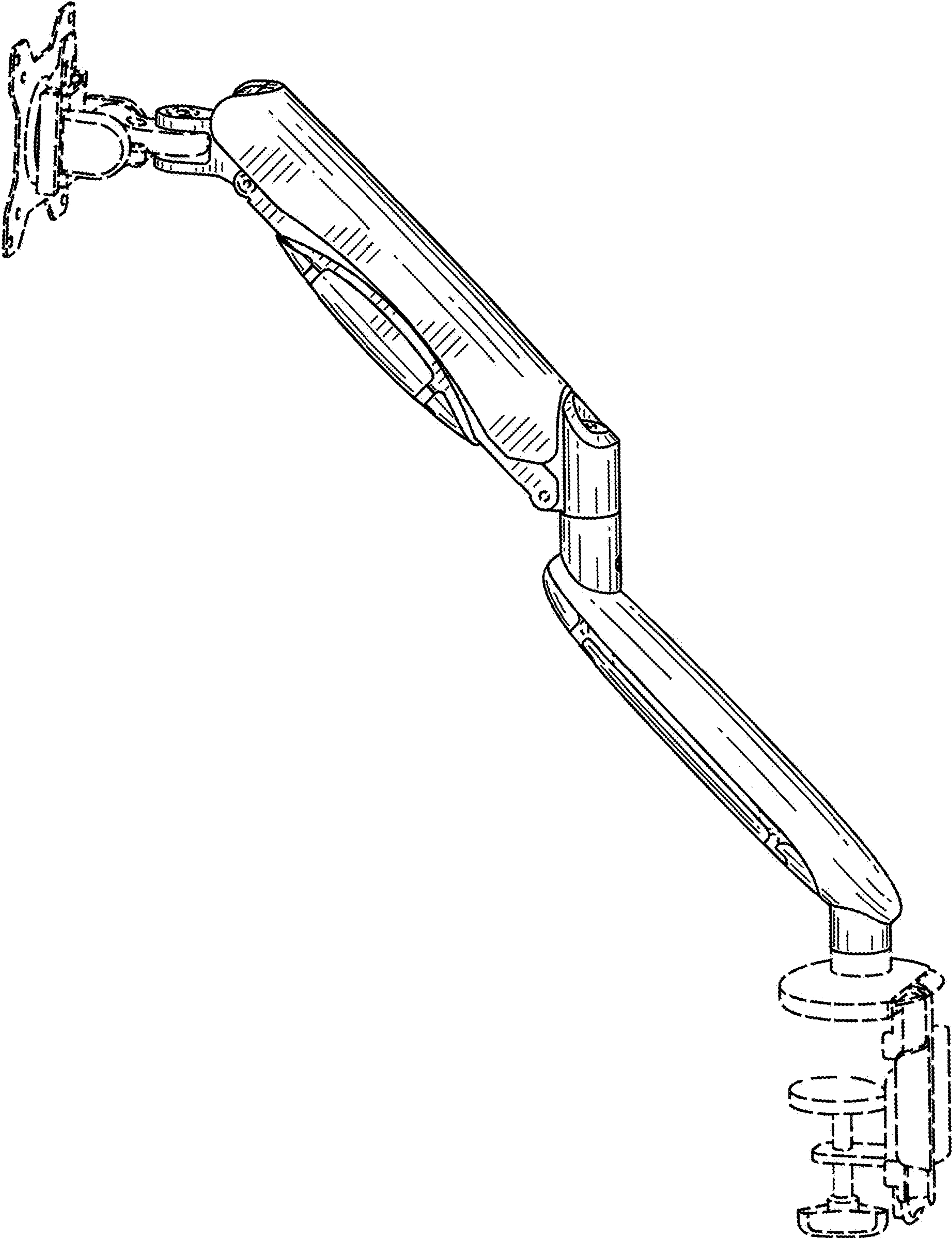


FIG. 8