



US00D877743S

(12) **United States Design Patent** (10) **Patent No.:** **US D877,743 S**  
**Pei** (45) **Date of Patent:** **\*\* Mar. 10, 2020**

(54) **TV MOUNT BRACKET**

21/0314; A47B 88/044; A47B 2021/0335;  
A47G 1/17; F16B 47/00; F16B 47/006;  
A47K 2201/00

(71) Applicant: **Xubo Pei**, Shenzhen (CN)

See application file for complete search history.

(72) Inventor: **Xubo Pei**, Shenzhen (CN)

(56) **References Cited**

(73) Assignee: **Xubo Pei**, Shenzhen (CN)

U.S. PATENT DOCUMENTS

(\*\*) Term: **15 Years**

D493,800 S *	8/2004	Pfister	.....	D14/451
7,195,214 B2 *	3/2007	Lee	.....	F16M 11/08 248/125.8
D598,458 S *	8/2009	Li	.....	D14/451
D614,611 S *	4/2010	Leung	.....	D14/239
D615,072 S *	5/2010	Saitou	.....	D14/239
D627,359 S *	11/2010	Gillespie	.....	D14/451
D635,130 S *	3/2011	Skull	.....	D14/239
D782,491 S *	3/2017	Cutler	.....	D14/447
D784,999 S *	4/2017	Cutler	.....	D14/447
D811,375 S *	2/2018	Pei	.....	D14/239

(21) Appl. No.: **29/676,457**

(22) Filed: **Jan. 11, 2019**

(30) **Foreign Application Priority Data**

Dec. 13, 2018 (CN) ..... 2018 3 07244557

(51) **LOC (12) Cl.** ..... **14-02**

(52) **U.S. Cl.**  
USPC ..... **D14/451**

(58) **Field of Classification Search**  
USPC ..... D14/371-382, 125-129, 336, 337,  
D14/447-452, 492, 335, 376-382, 239,  
D14/457, 439-441, 432, 251-253;  
D8/349, 354, 363, 373, 376, 380;  
D21/333; D12/415; D3/218; 348/180,  
348/184, 325, 739, 825  
CPC ..... G06F 3/0412; G06F 3/016; G06F 3/0488;  
G06F 3/011; G06F 3/038; G06F 3/03543;  
G06F 3/0338; G06F 3/0202; G06F  
3/0219; G06F 3/0213; G06F 1/1616;  
G06F 3/023; G06F 3/04883; G02F  
1/13338; G02F 1/1313; G02F 1/1333;  
G02F 1/135; G02F 1/132; G02F  
1/133308; G02F 1/134309; G02F  
1/13718; G09G 3/3648; G06K 15/1252;  
G03F 7/70291; F16M 13/02; F16M  
13/00; F16M 11/10; F16M 11/04; F16M  
2200/08; F16M 11/2021; B41J 2/465;  
H02G 3/126; G02B 27/0172; G02B 5/30;  
G02B 2027/0118; G02B 27/0101; A47B

(Continued)

*Primary Examiner* — Katie Jane Stofko  
(74) *Attorney, Agent, or Firm* — Dave Law Group, LLC;  
Raj S. Dave

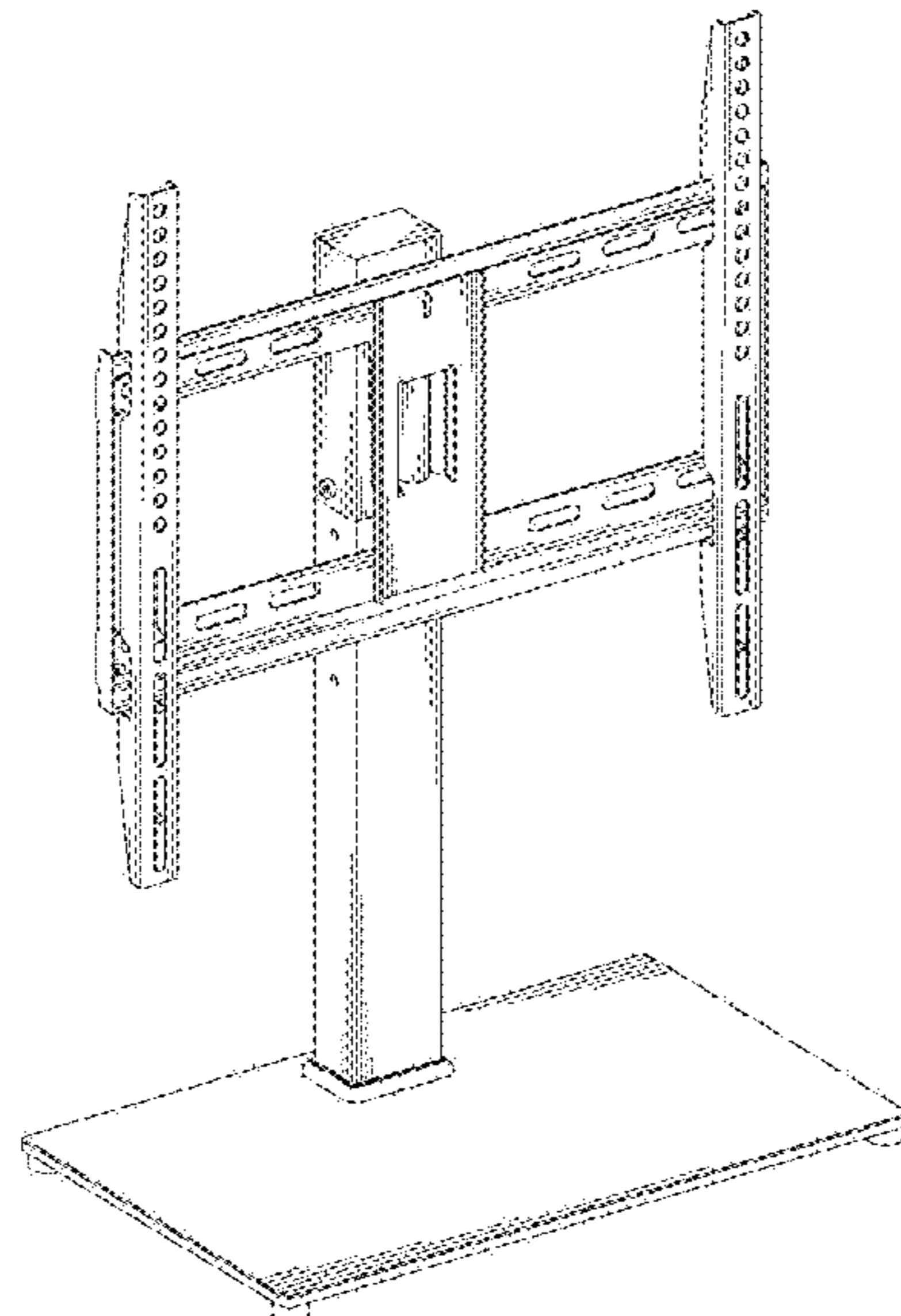
(57) **CLAIM**

The ornamental design for a TV mount bracket, as shown and described.

**DESCRIPTION**

FIG. 1 is a front view of a TV mount bracket showing the new design;  
FIG. 2 is a rear view thereof;  
FIG. 3 is a left side view thereof;  
FIG. 4 is a right side view thereof;  
FIG. 5 is a top plan view thereof;  
FIG. 6 is a bottom plan view thereof;  
FIG. 7 is a front, top, and left side perspective view thereof;  
and,  
FIG. 8 is a rear, top and right side perspective view thereof.  
The shade lines in the Figures show contour and not surface ornamentation.

**1 Claim, 8 Drawing Sheets**



(56)

**References Cited**

U.S. PATENT DOCUMENTS

D811,376 S \* 2/2018 Pei ..... D14/239  
D836,091 S \* 12/2018 Shu ..... D14/239  
D853,403 S \* 7/2019 Lyu ..... D14/451

\* cited by examiner

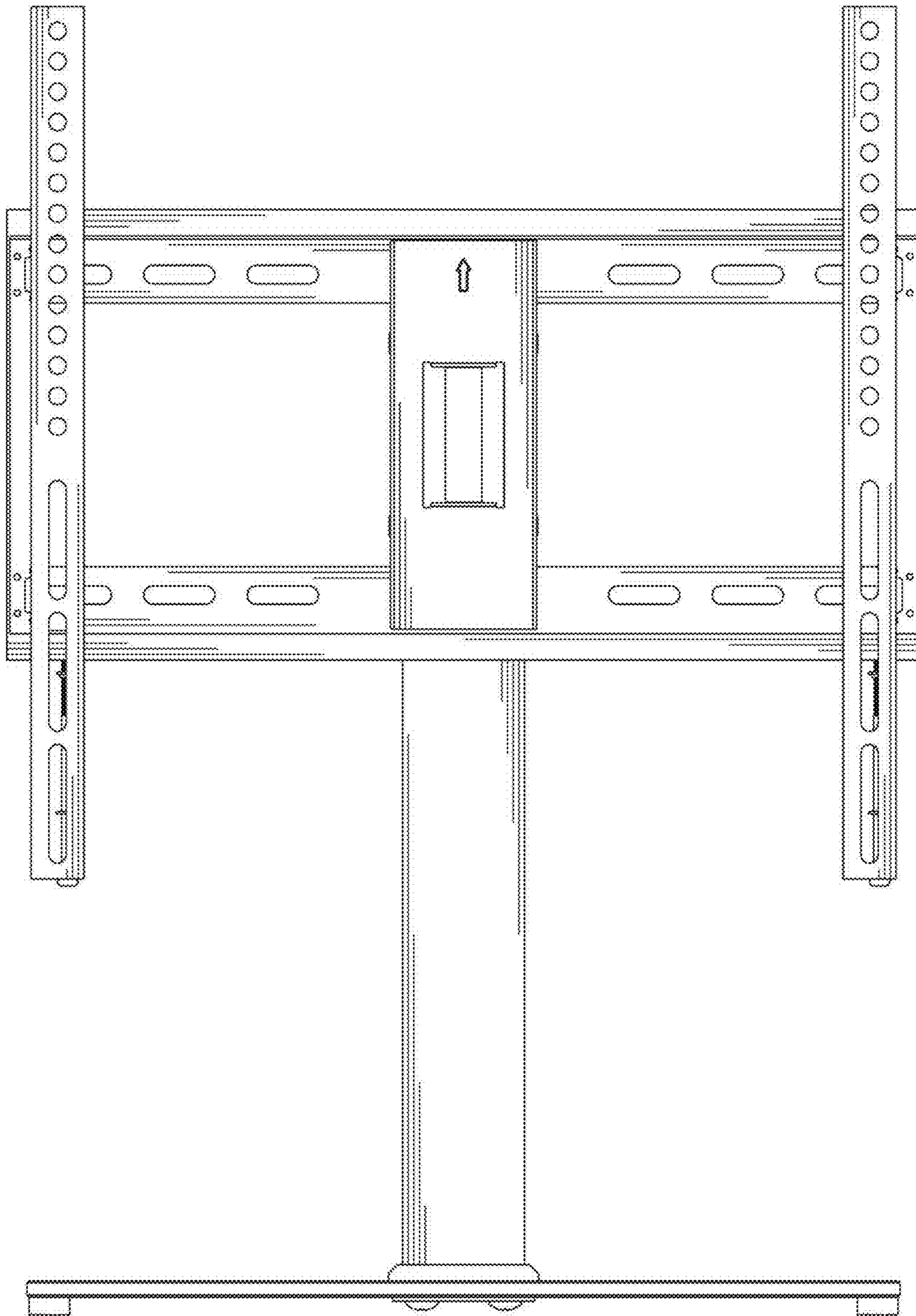


FIG. 1

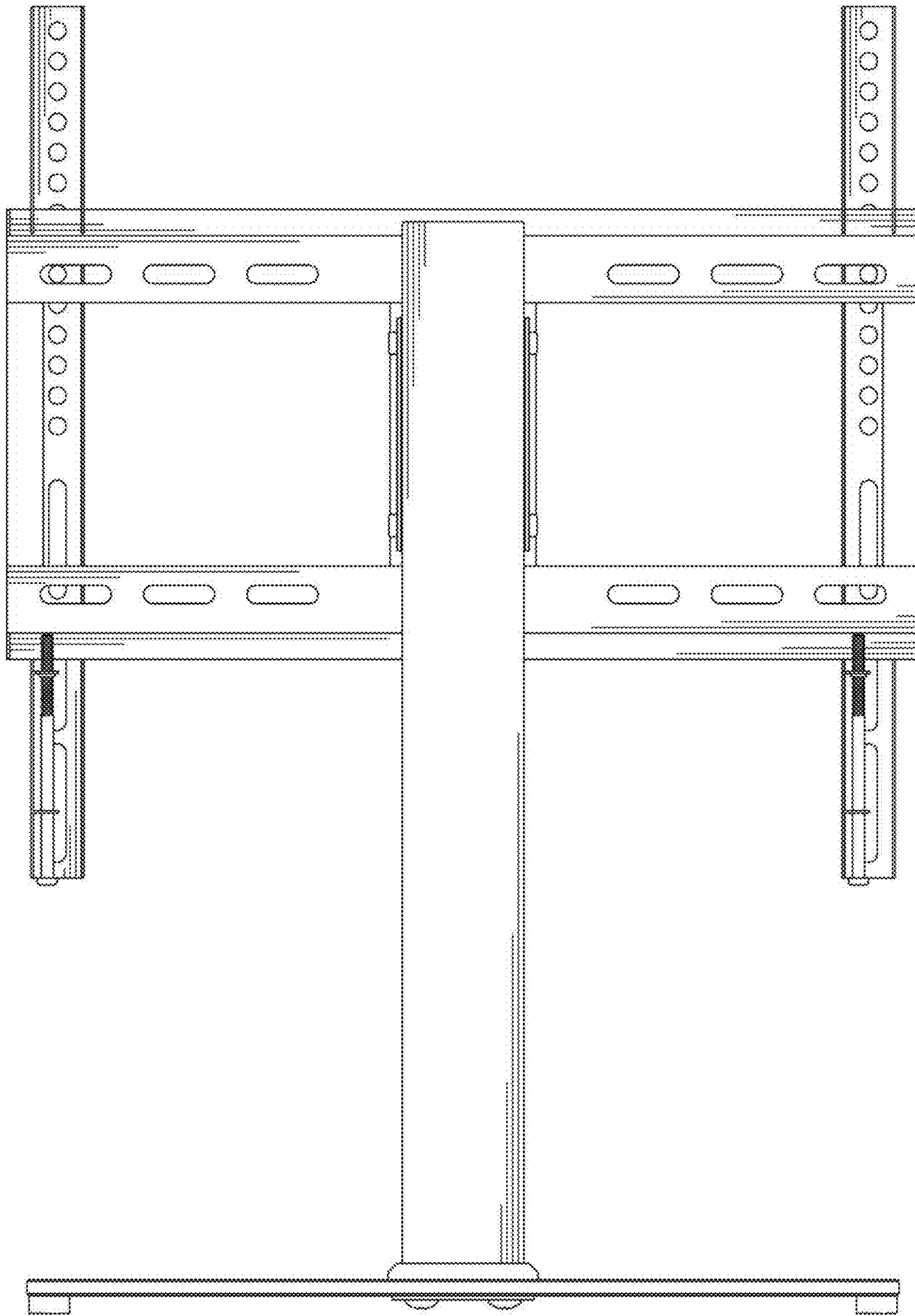


FIG. 2

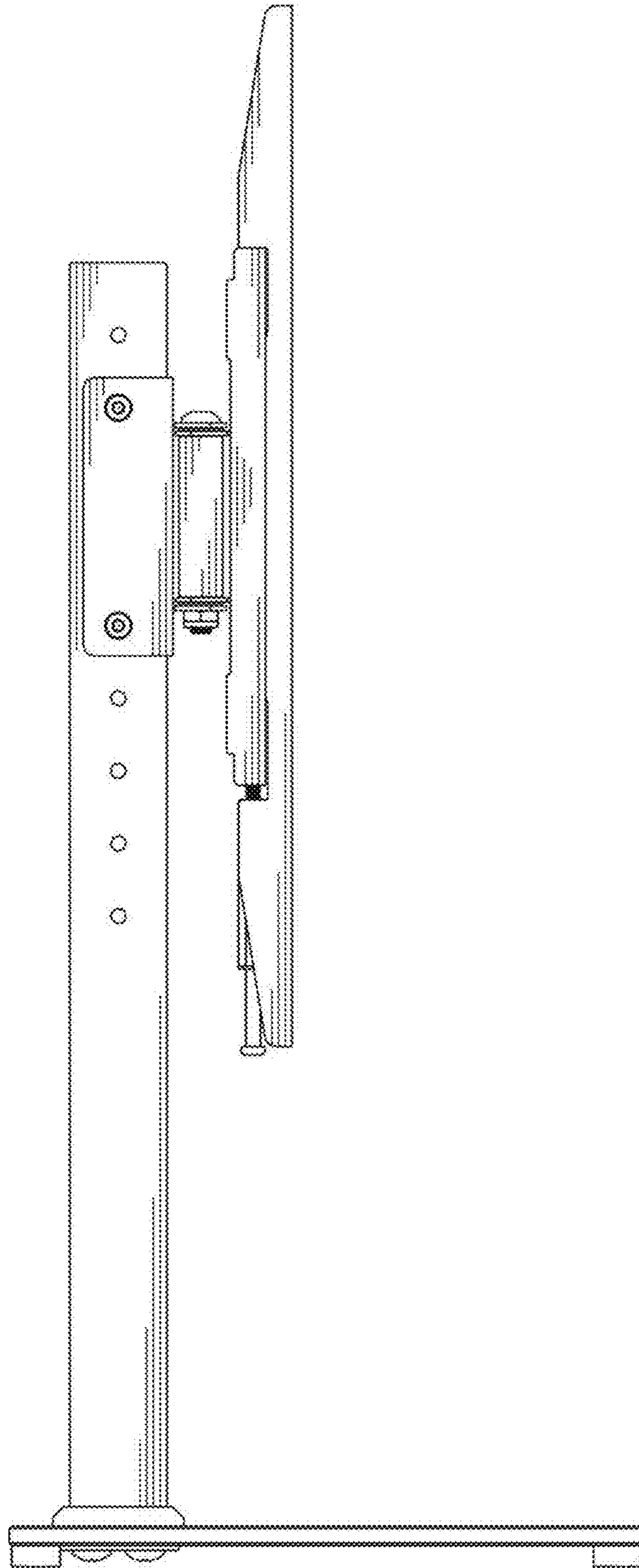


FIG. 3

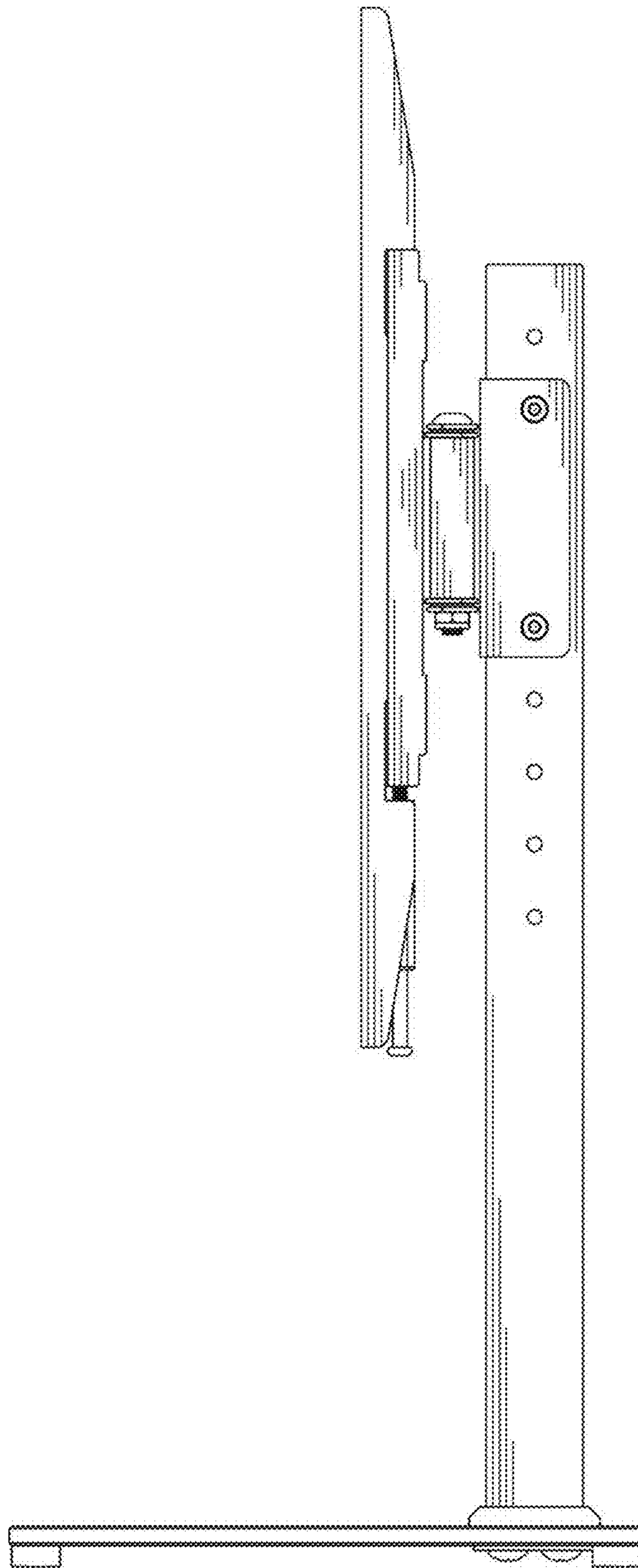


FIG. 4

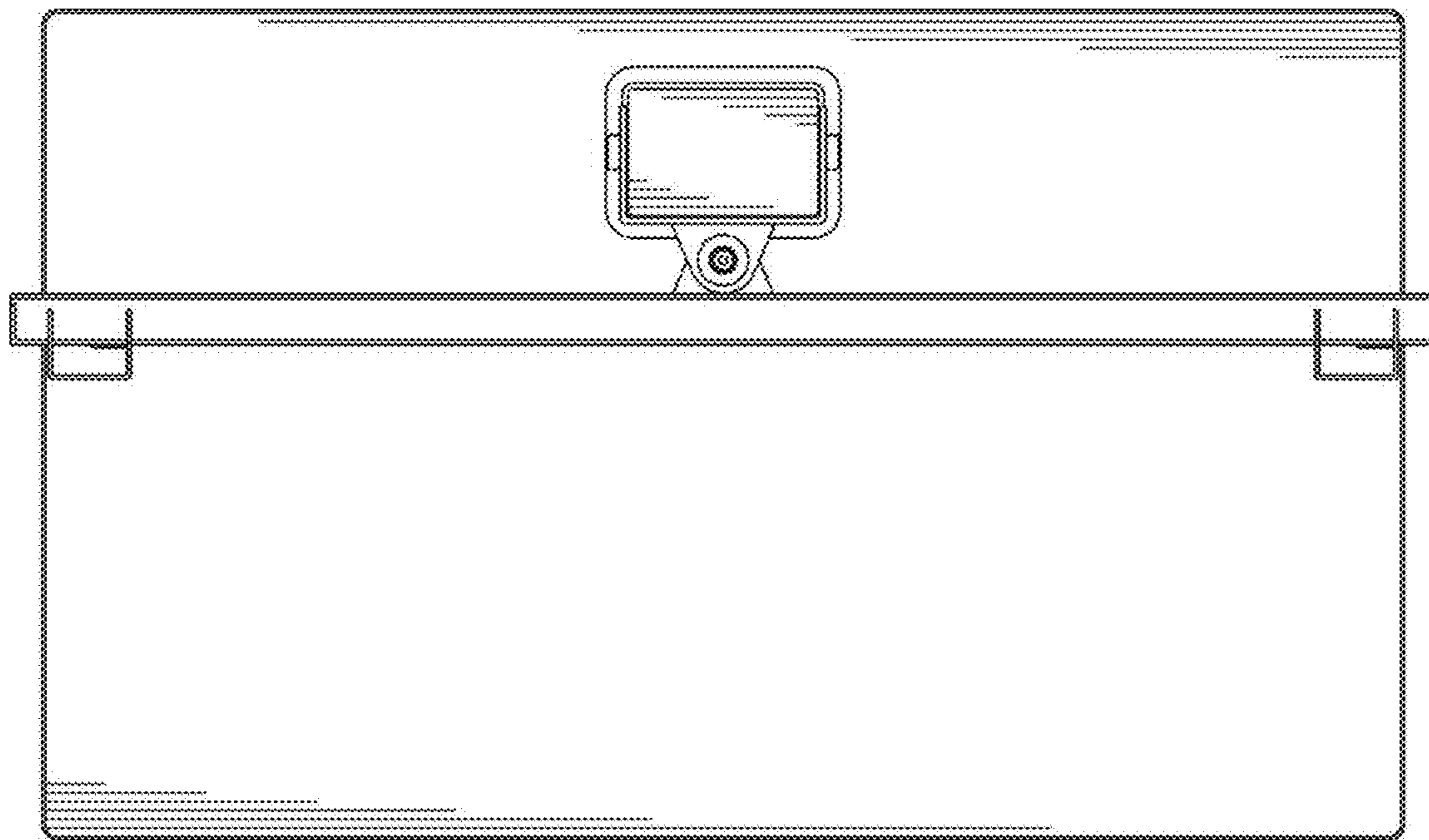


FIG. 5

6/8

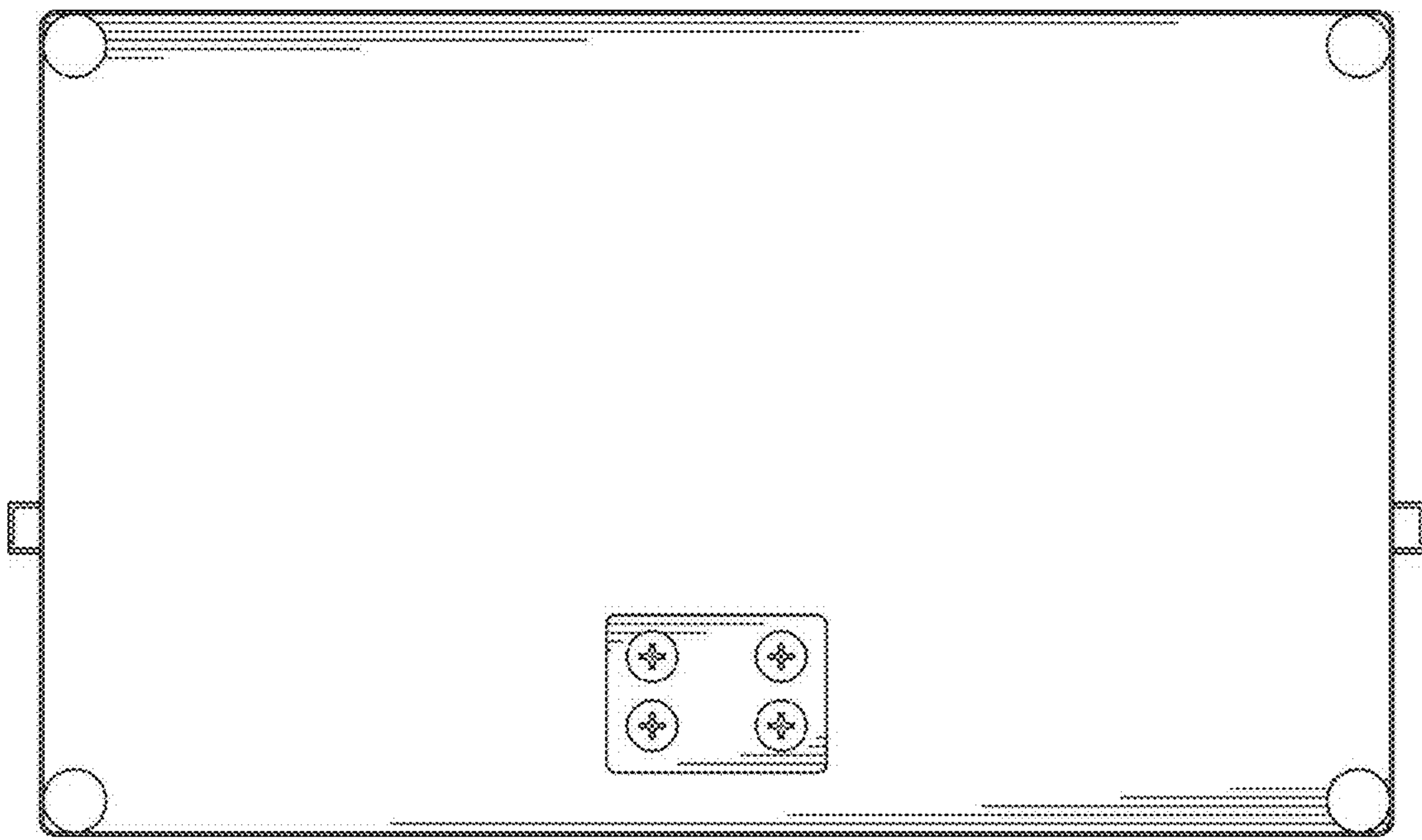


FIG. 6



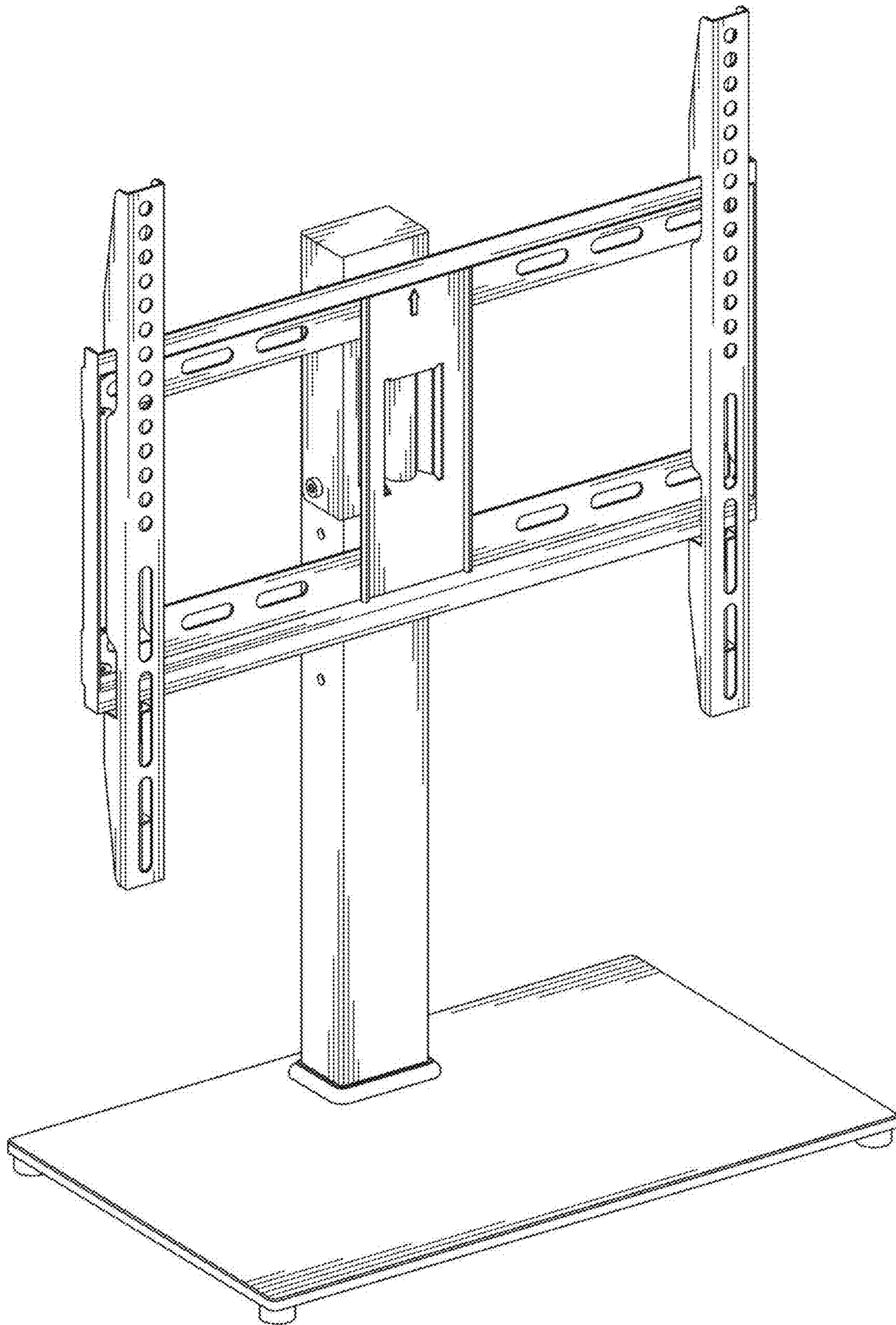


FIG. 7

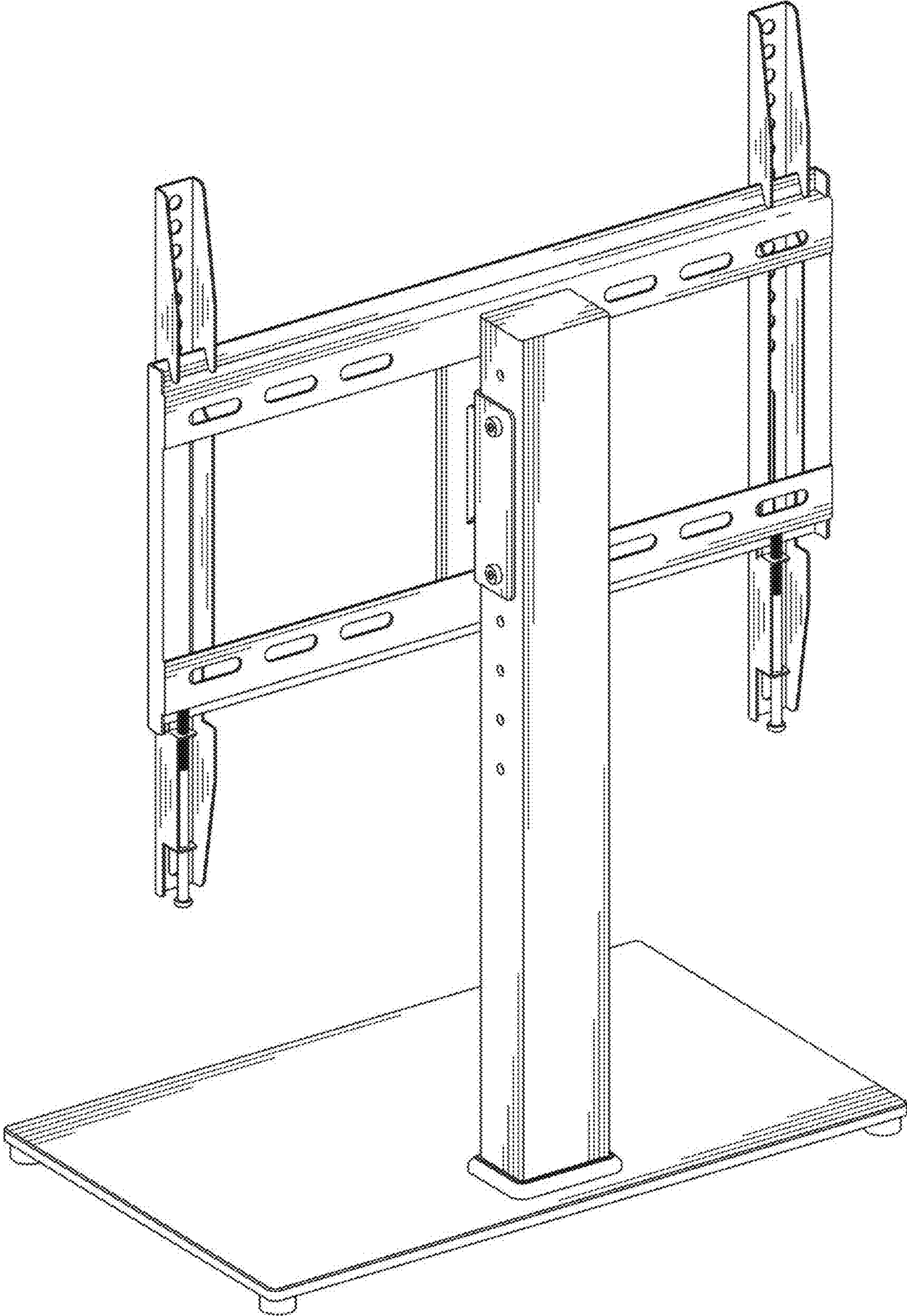


FIG. 8