

US00D877742S

(12) **United States Design Patent**
Yao et al.

(10) **Patent No.:** **US D877,742 S**
(45) **Date of Patent:** **** Mar. 10, 2020**

(54) **ELECTRONIC DEVICE ATTACHMENT
PORTION OF A MOUNT FOR AN
ELECTRONIC DEVICE**

(71) Applicant: **Kenu, Inc.**, San Francisco, CA (US)

(72) Inventors: **David E. Yao**, San Francisco, CA (US);
Leonard John Duran, Mill Valley, CA
(US); **Gregory D. Caneer**, Oakland,
CA (US); **Kenneth Y. Minn**, San
Francisco, CA (US)

(73) Assignee: **Kenu, Inc.**, San Francisco, CA (US)

(**) Term: **15 Years**

(21) Appl. No.: **29/683,242**

(22) Filed: **Mar. 12, 2019**

Related U.S. Application Data

(63) Continuation of application No. 29/625,650, filed on
Nov. 10, 2017, now Pat. No. Des. 849,012.

(51) **LOC (12) Cl.** **08-07**

(52) **U.S. Cl.**
USPC **D14/447**

(58) **Field of Classification Search**
USPC D14/447, 432, 434, 439, 440, 451, 452,
D14/457, 239, 253; D8/363, 373, 380;
D6/406.3, 406.4, 406.5, 406.6; D12/415;
D13/108
CPC A47B 21/04; A47B 2097/006; A47B
2097/005; A47B 2023/049; A45C
2011/002; A45C 2011/003; F16M
2200/00; F16M 13/00

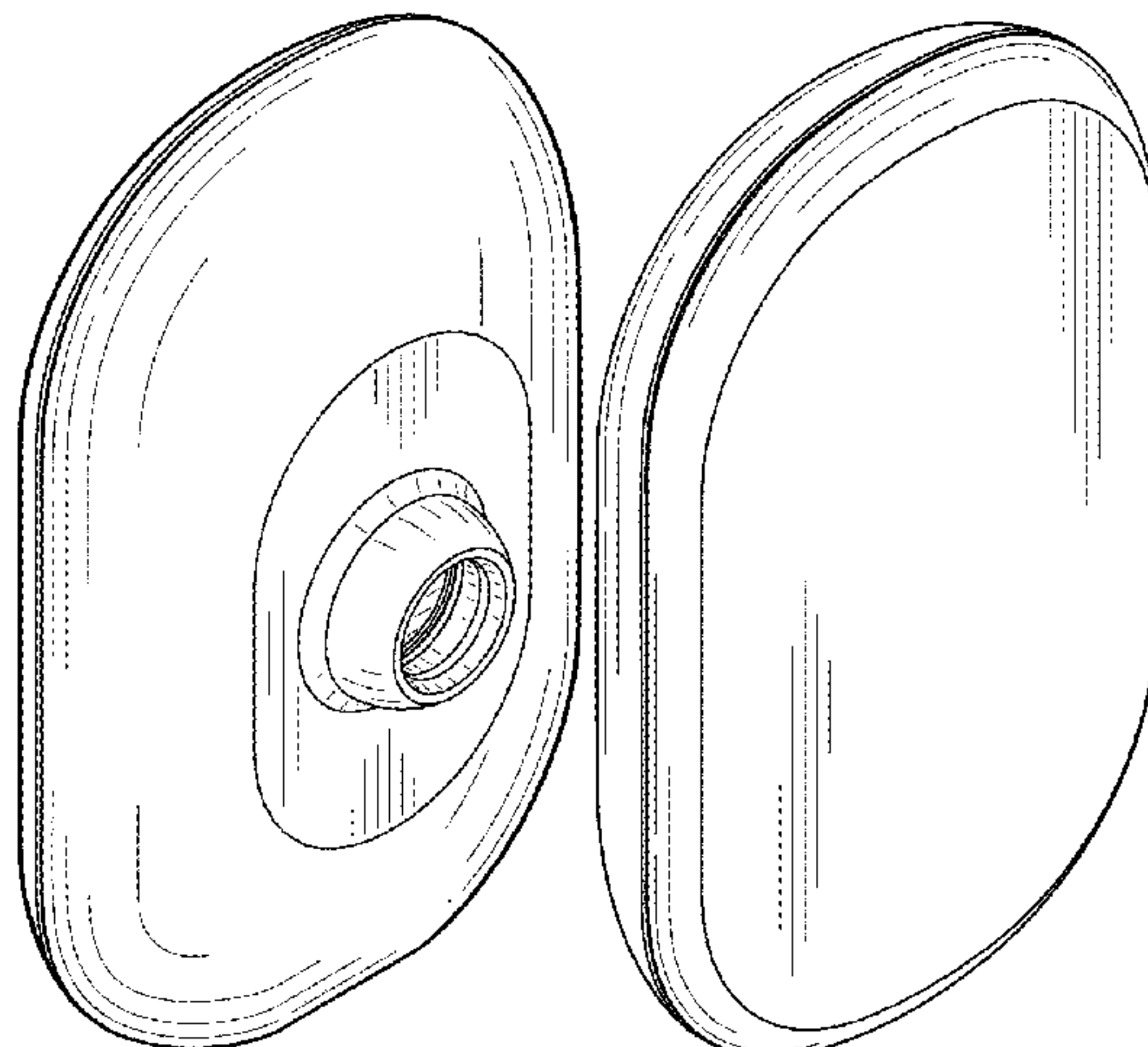
See application file for complete search history.

(56) **References Cited**

U.S. PATENT DOCUMENTS

2,580,625 A 1/1952 Waltz
4,797,916 A 1/1989 Kojima
5,109,411 A 4/1992 O'Connell
5,305,381 A 4/1994 Wang

5,338,252 A 8/1994 Bowler et al.
5,979,724 A 11/1999 Loewenthal et al.
6,103,201 A 8/2000 Green
6,149,116 A 11/2000 Won
6,234,435 B1 5/2001 Yeh
6,366,672 B1 4/2002 Tsay
6,441,872 B1 8/2002 Ho
D482,039 S 11/2003 Chen et al.
D485,340 S 1/2004 Wu
6,749,160 B1 6/2004 Richter
6,988,907 B2 1/2006 Chang
D521,990 S 5/2006 Richter
D522,843 S 6/2006 Richter
7,061,386 B2 6/2006 Seresini
7,066,434 B2 6/2006 Kwok
7,080,812 B2 7/2006 Wadsworth
7,140,553 B2 11/2006 Zobebe
7,178,771 B2 2/2007 Richter
D538,912 S 3/2007 Kaplan
7,272,984 B2 9/2007 Fan
7,284,737 B2 10/2007 Kane
D566,590 S 4/2008 Stevens et al.
7,475,858 B2 1/2009 Kalis
D589,962 S 4/2009 Maruyama et al.
7,537,190 B2 5/2009 Fan
D603,322 S 11/2009 Nieieja
7,628,362 B2 12/2009 Song
D607,844 S 1/2010 Feldstein et al.
7,661,638 B2 2/2010 Yu
D611,478 S 3/2010 Richardson et al.
D614,613 S 4/2010 Kim et al.
D626,541 S 11/2010 Kim et al.
D630,222 S 1/2011 Lin
D633,040 S 2/2011 Le et al.
7,913,963 B2 3/2011 Cheng et al.
D643,407 S 8/2011 Behringer et al.
D645,033 S 9/2011 Quong et al.
8,086,278 B2 12/2011 Li et al.
D655,692 S 3/2012 Silverman et al.
D656,931 S 4/2012 Wikel
D656,940 S 4/2012 McClelland et al.
D657,356 S 4/2012 Wikel
D657,364 S 4/2012 Norman
D663,726 S 7/2012 Gourley
D663,735 S 7/2012 Musselman
D664,147 S 7/2012 Zhao et al.
D670,295 S 11/2012 Prescott et al.
D671,950 S 12/2012 Richter
8,505,861 B2 8/2013 Carnevali
D689,041 S 9/2013 Hampf
D690,707 S 10/2013 Minn et al.
D692,897 S 11/2013 Lujiben
8,706,175 B2 4/2014 Cho



US D877,742 S

D705,211 S	5/2014	Huang		D859,395 S *	9/2019	Yao	D14/253
8,727,192 B2	5/2014	Lai		2005/0127538 A1	6/2005	Fabrega	
8,757,461 B2	6/2014	Zanetti		2005/0236541 A1	10/2005	Chang	
D708,187 S	7/2014	Xiang		2007/0001025 A1	1/2007	Caserta et al.	
D708,603 S	7/2014	Kim et al.		2007/0018064 A1	1/2007	Wang	
D709,066 S	7/2014	Byun		2007/0284500 A1	12/2007	Fan	
D709,074 S	7/2014	Tsui et al.		2008/0190978 A1	8/2008	Brassard	
D713,398 S	9/2014	Alesi et al.		2008/0224007 A1	9/2008	Mo	
D715,790 S	10/2014	Conomos et al.		2009/0060473 A1	3/2009	Kohte et al.	
D715,791 S	10/2014	Yu		2009/0166497 A1	7/2009	Carnevali	
8,857,687 B1	10/2014	An		2010/0019059 A1	1/2010	Bulsink et al.	
D716,788 S	11/2014	Volkan		2011/0019992 A1	1/2011	Orf	
D717,289 S	11/2014	Takabatake		2011/0143583 A1	6/2011	Zilmer et al.	
D718,298 S	11/2014	Aspinall et al.		2011/0148352 A1	6/2011	Wang et al.	
D718,612 S *	12/2014	McSweyn	D8/363	2011/0278885 A1	11/2011	Procter et al.	
D720,759 S	1/2015	Deng et al.		2012/0205503 A1	8/2012	Kobal	
D723,311 S	3/2015	Jian et al.		2013/0037590 A1	2/2013	Yoon	
D724,072 S	3/2015	Jiang et al.		2014/0097306 A1	4/2014	Hale et al.	
D726,175 S	4/2015	Tsai et al.		2014/0103087 A1	4/2014	Fan	
D727,333 S	4/2015	Shih et al.		2014/0138419 A1	5/2014	Minn et al.	
D733,116 S	6/2015	Aspinall et al.		2014/0176062 A1	6/2014	Jung	
D733,156 S	6/2015	Choi et al.		2014/0265765 A1	9/2014	Khodapanah et al.	
D733,548 S	7/2015	Brown et al.		2015/0072555 A1	3/2015	Riddiford et al.	
D733,697 S	7/2015	Palan et al.		2016/0052370 A1	2/2016	Esses	
D735,112 S	7/2015	Deng et al.		2016/0082893 A1	3/2016	Ormsbee et al.	
9,080,714 B2	7/2015	Minn et al.		2016/0318455 A1	11/2016	Zhang et al.	
D738,873 S	9/2015	Kim et al.		2016/0347257 A1	12/2016	Buchanan	
D747,704 S	1/2016	Tsou		2016/0373152 A1	12/2016	Schmidt	
D748,098 S	1/2016	Khodapanah et al.		2017/0035172 A1	2/2017	Kim	
9,267,518 B2	2/2016	Chang		2017/0170858 A1	6/2017	Tiller et al.	
D750,515 S	3/2016	Ditges et al.		2017/0313259 A1	11/2017	Minn et al.	
D750,612 S	3/2016	Chen		2018/0043840 A1	2/2018	Minn et al.	
D750,633 S	3/2016	Minn et al.					
D757,705 S	5/2016	Esses					
9,366,383 B2	6/2016	Chien et al.					
D765,070 S *	8/2016	Franklin	D14/253				
D765,646 S	9/2016	Deng et al.					
D765,651 S	9/2016	Liu et al.					
D768,125 S	10/2016	Kim					
D769,860 S	10/2016	Xiao					
D772,218 S *	11/2016	Alesi	D14/253				
D772,739 S	11/2016	Browning et al.					
D774,382 S	12/2016	Richter					
D778,713 S	2/2017	McSweyn et al.					
D778,714 S	2/2017	McSweyn et al.					
D780,168 S	2/2017	Du					
9,573,531 B2	2/2017	Zhang					
D782,462 S	3/2017	Huang					
9,586,530 B2	3/2017	Kim					
D783,012 S	4/2017	Lee					
D783,592 S	4/2017	Ju					
D783,593 S	4/2017	Chen					
D784,997 S *	4/2017	Cheng	D14/447				
9,611,881 B2	4/2017	Khodapanah et al.					
D789,920 S	6/2017	Zhang					
D792,415 S	7/2017	Tsai					
D792,416 S	7/2017	Tsai					
9,718,412 B2	8/2017	Minn et al.					
D796,421 S	9/2017	Huang					
D797,749 S *	9/2017	Awad	D14/447				
D799,466 S	10/2017	Sukphist et al.					
D802,404 S	11/2017	Turksu et al.					
9,821,724 B2	11/2017	Zhang et al.					
D820,823 S	6/2018	Ahn					
D823,847 S	7/2018	Lebovitz					
D824,378 S	7/2018	Sukphisit et al.					
D825,545 S	8/2018	McSweyn et al.					
D825,548 S *	8/2018	Lebovitz	D14/253				
D831,462 S	10/2018	McSweyn et al.					
D831,660 S	10/2018	Yao et al.					
D831,661 S	10/2018	Yao et al.					
D831,665 S	10/2018	Yao et al.					
D831,666 S	10/2018	Yao et al.					
D840,409 S *	2/2019	Miller	D14/447				
D845,309 S *	4/2019	Goldstein	D14/447				
D848,443 S *	5/2019	Yao	D14/447				
D849,012 S *	5/2019	Yao	D14/447				
D858,509 S *	9/2019	Yao	D14/253				
D859,393 S *	9/2019	Dang	D14/253				

FOREIGN PATENT DOCUMENTS

CN	301670390	9/2011
CN	202907016 U	4/2013
DE	202004007340 U1	7/2004
DE	202008010276 U1	11/2008
EP	1031446 A1	8/2000
EP	1902736 A1	3/2008
EP	2835957	4/2015
JP	2003054304 A	2/2003
JP	3151546 U	6/2009
JP	3164223 U	11/2010
JP	D1415725	5/2011
JP	D1420793	7/2011
JP	D1420793	8/2011
JP	D1453628	10/2012
JP	D1487823	1/2014
KR	10-2000-0044438	7/2000
KR	20-0429528	10/2006
KR	10-2012-0125933	11/2012
KR	30-0941787	1/2018
TW	D103373	3/2005
TW	D149647	10/2012
TW	D165745	2/2015
TW	D178656	10/2016
WO	WO 9604153	2/1996
WO	WO2004091673 A1	10/2004
WO	D066974-001	9/2005
WO	2010002291 A1	1/2010

OTHER PUBLICATIONS

Office Action dated Apr. 2, 2019, Canadian Application No. 182115.
 Office Action dated Apr. 2, 2019, Canadian Application No. 182114.
 Arkon Resources Inc., SMH429-SBH Universal Air Vent Swivel Mount with Adjustable Cradle, (downloaded from <https://www.amazon.com/Arkon-Holder-iPhone-Galaxy-Retail/dp/B003XAF4YQ> on Apr. 11, 2017, 9 pages).
 Web posting, entitled "[Arkon Air Vent Smartphone Car Mount] Review of SM429-SBH Air Vent Universal Smartphone Car Mount" (Publication Date: Nov. 21, 2010, <http://cafe.naver.com/bjphone/1391925>).
 Web posting entitled, "Car Mount for Samsung Galaxy S4 Smartphone [Air Vent Smartphone Car Mount]" (Publication Date: Apr. 29, 2013, <http://blog.naver.com/eeleet/130167208063>).

China Quality Suppliers; “Black or White Car Air Vent Mount Holder/Adjustable Universal Mobile Phone Stand Holder;” <http://www.hebeimanjikefrp.com/sale-2307306-black-or-white-car-air-vent-mount-holder-adjustable-universal-mobile-phone-stand-holder.html>; Copyright 2014-2015.

Exogear; “ExoMount Touch;” <http://www.exogear.com/products-exomount-touch-one-touch-car-mount-holder.html>; Copyright 2013 Exogear.

Pearl Automation, Pearl Magnetic Car Phone Mount—Vent or Dashboard Cell Phone Holder for Car or Truck, Publication Date: Sep. 2017 {earliest/exact publication date unknown}, <https://www.amazon.com/Pearl-Magnetic-Car-Phone-Mount/dp/B01M0DNYIV>.

Elongdi, Elongdi Air Vent Magnetic Car Mount 360 Degree Rotating Car Phone Mount Holder Compatible with iPhone 6 6S Plus 5 Galaxy S7 S6 edge S5 Sony HTC LG, Publication Date: Sep. 2017 {earliest/exact publication date unknown}, https://www.amazon.com/gp/product/B01LXY2N6R/ref=oh_aui_search_detailpage?ie=UTF8&psc=1.

Mengo, Magnetic Air Vent Car Mount—Aluma Magnetic Phone Holder—Universally Compatible For iPhone Samsung HTC LG Phones—Strong Magnetic Vent Mount, Publication Date: Sep. 2017 {earliest/exact publication date unknown}, https://www.amazon.com/gp/product/B011FP01UA/ref=oh_aui_search_detailpage?ie=UTF8&psc=1.

iOttie, iOttie iTap Magnetic Air Vent Premium Car Mount Holder Cradle for iPhone X 8/8s 7 7 Plus 6s Plus 6s 6 SE Samsung Galaxy S8 Plus S8 Edge S7 S6 Note 8 5, Publication Date: Sep. 2017 {earliest/exact publication date unknown}, https://www.amazon.com/gp/product/B00Q3G8LPQ/ref=oh_aui_search_detailpage?ie=UTF8&psc=1.

Aukey, Aukey Car Mount Air Vent Magnetic Cell Phone Holder for iPhone 7/6S/Plus/Samsung/Mini Tablets and other Android, Windows Smartphones, Publication Date: Sep. 2017 {earliest/exact publication date unknown}, https://www.amazon.com/gp/product/B01B2R3QNW/ref=oh_aui_search_detailpage?ie=UTF8&psc=1.

Scosche, Scosche MAGVM2 MagicMount Vent Mount for Mobile Devices, Publication Date: Sep. 2017 {earliest/exact publication date unknown}, https://www.amazon.com/gp/product/B00PMOCI72/ref=oh_aui_search_detailpage?ie=UTF8&psc=1.

Spinido, Spinido Magnetic Car Vent Mount Holder for iPhone 7/6s Plus/iPad mini, Publication Date: Sep. 2017 {earliest/exact publication date unknown}, https://www.amazon.com/gp/product/B01E58LHWC/ref=oh_aui_search_detailpage?ie=UTF8&psc=1.

Techmatte, Dashboard Mount TechMatte MagGrip Dashboard and Windshield Magnetic Universal Car Mount Holder for Smartphones including iPhone X, 8, 7, 6, 6S, Galaxy S8, S7, S7 Edge—Black, Publication Date: Sep. 2017 {earliest/exact publication date unknown}, https://www.amazon.com/Dashboard-TechMatte-Windshield-Universal-Smarlphones/dp/B01780KZMW/ref=sr_1_5?s=wireless&ie=UTF8&qid=1507681675&sr=1-5&keywords=suction+cup+phone+mount.

Shosche, Scosche MAGWSM2 MagicMount Suction Mount for Mobile Devices, Publication Date: Sep. 2017 {earliest/exact publication date unknown}, https://www.amazon.com/Scosche-MAGWSM2-MagicMount-Suction-Devices/dp/B00R2K4LCY/ref=sr_1_18?s=wireless&ie=UTF8&qid=1507681675&sr=1-18&keywords=suction+cup+phone+mount.

iOttie, Car Mount, iOttie Easy View Universal Car Mount Holder for iPhone 7 6s 5s 5c, Samsung Galaxy S6 Edge Plus S6 S5 S4—Retail Packaging—Black, Publication Date: Sep. 2017 {earliest/exact publication date unknown}, https://www.amazon.com/iOttie-Universal-Holder-iPhone-Samsung/dp/B00B78MT44/ref=sr_1_15?s=wireless&ie=UTF8&qid=1507682778&sr=1-15&keywords=iottie.

U.S. Appl. No. 29/625,650, filed Nov. 10, 2017.

Preliminary Amendment dated Jun. 6, 2018, U.S. Appl. No. 29/625,650, filed Nov. 10, 2017.

Non-final Office Action dated Sep. 13, 2018, U.S. Appl. No. 29/625,650, filed Nov. 10, 2017.

Response to Office Action dated Nov. 13, 2018, U.S. Appl. No. 29/625,650, filed Nov. 10, 2017.

Notice of Allowance dated Dec. 28, 2018, U.S. Appl. No. 29/625,650, filed Nov. 10, 2017.

U.S. Appl. No. 29/625,651, filed Nov. 10, 2017.

Preliminary Amendment dated Jun. 6, 2018, U.S. Appl. No. 29/625,651, filed Nov. 10, 2018.

Non-final Office Action dated Sep. 13, 2018, U.S. Appl. No. 29/625,651, filed Nov. 10, 2018.

Response to Office Action dated Nov. 13, 2018, U.S. Appl. No. 29/625,651, filed Nov. 10, 2018.

Notice of Allowance dated Dec. 28, 2018, U.S. Appl. No. 29/625,651, filed Nov. 10, 2018.

U.S. Appl. No. 29/663,049, filed Sep. 11, 2018.

U.S. Appl. No. 29/663,050, filed Sep. 11, 2018.

U.S. Appl. No. 29/638,301, filed Feb. 26, 2018.

U.S. Appl. No. 29/638,303, filed Feb. 26, 2018.

Ztechworld, Ztechworld Universal Suction Cup Car Mount Mobile Phone Holder for iPhone 7 Plus 6S 6/ Samsung Galaxy S7 S6 Edge Note 3 4 5/ Android Phones and More, Sticky Silicone Base, 360 Rotation, Red Clip, Publication Date: Sep. 2017 {earliest/exact publication date unknown}, https://www.amazon.com/Ztechworld-Universal-Suction-Silicone-Rotation/dp/B06XGWRX9V/ref=sr_1_11?s=wireless&ie=UTF8&qid=1507681675&sr=1-11&keywords=suction+cup+phone+mount.

LAX Gadgets, LAX Universal Dashboard-mounted Smart Phone Holder with Non-Slip Grip Bracket—Compatible with Most Smartphones & Mini Tablets—360 Degrees Swivel Mount—Super Stable Suction Cup Car Mount, Publication Date: Sep. 2017 {earliest/exact publication date unknown}, https://www.amazon.com/LAX-Universal-Dashboard-mounted-Non-Slip-Bracket/dp/B073SKDVLW/ref=sr_1_43?s=wireless&ie=UTF8&qid=1507681896&sr=1-43&keywords=suction+cup+phone+mount.

iOttie, iOttie Easy View 2 Car Mount Holder for iPhone 7 7 Plus, 6s Plus 6s 5s 5c, Samsung Galaxy S8 S7 Edge Plus S7 S6, Note 5—Retail Packaging—Black, Publication Date: Sep. 2017 {earliest/exact publication date unknown}, https://www.amazon.com/iOttie-Holder-Samsung-Retail-Packaging/dp/B00JUXPHWE/ref=sr_1_13?s=wireless&ie=UTF8&qid=1507682834&sr=1-13&keywords=iottie.

* cited by examiner

Primary Examiner — Angela J Lee

(74) *Attorney, Agent, or Firm* — Vierra Magen Marcus LLP

(57)

CLAIM

The ornamental design for an electronic device attachment portion of a mount for an electronic device, as shown and described.

DESCRIPTION

FIG. 1 is a rear perspective view of an electronic device attachment portion of a mount for an electronic device;
 FIG. 2 is a front perspective view of the electronic device attachment portion of the mount for an electronic device;
 FIG. 3 is a front elevational view of the electronic device attachment portion of the mount for an electronic device;
 FIG. 4 is a rear elevational view of the electronic device attachment portion of the mount for an electronic device;
 FIG. 5 is a bottom plan view of the electronic device attachment portion of the mount for an electronic device;
 FIG. 6 is a top plan view of the electronic device attachment portion of the mount for an electronic device;
 FIG. 7 is a right elevational view of the electronic device attachment portion of the mount for an electronic device;
 FIG. 8 is a left elevational view of the electronic device attachment portion of the mount for an electronic device;

FIG. 9 is a rear perspective view of the electronic device attachment portion of the mount for an electronic device, shown in an exemplary environment where the electronic device attachment portion is coupled to a vent attachment element; and,

FIG. 10 is a front perspective view of the electronic device attachment portion of the mount for an electronic device, shown in the exemplary environment where the electronic device attachment portion is coupled to the vent attachment element introduced in FIG. 9.

The broken lines in FIGS. 9 and 10 illustrate a vent attachment element and are included to show unclaimed subject matter only and form no part of the claimed design.

1 Claim, 3 Drawing Sheets

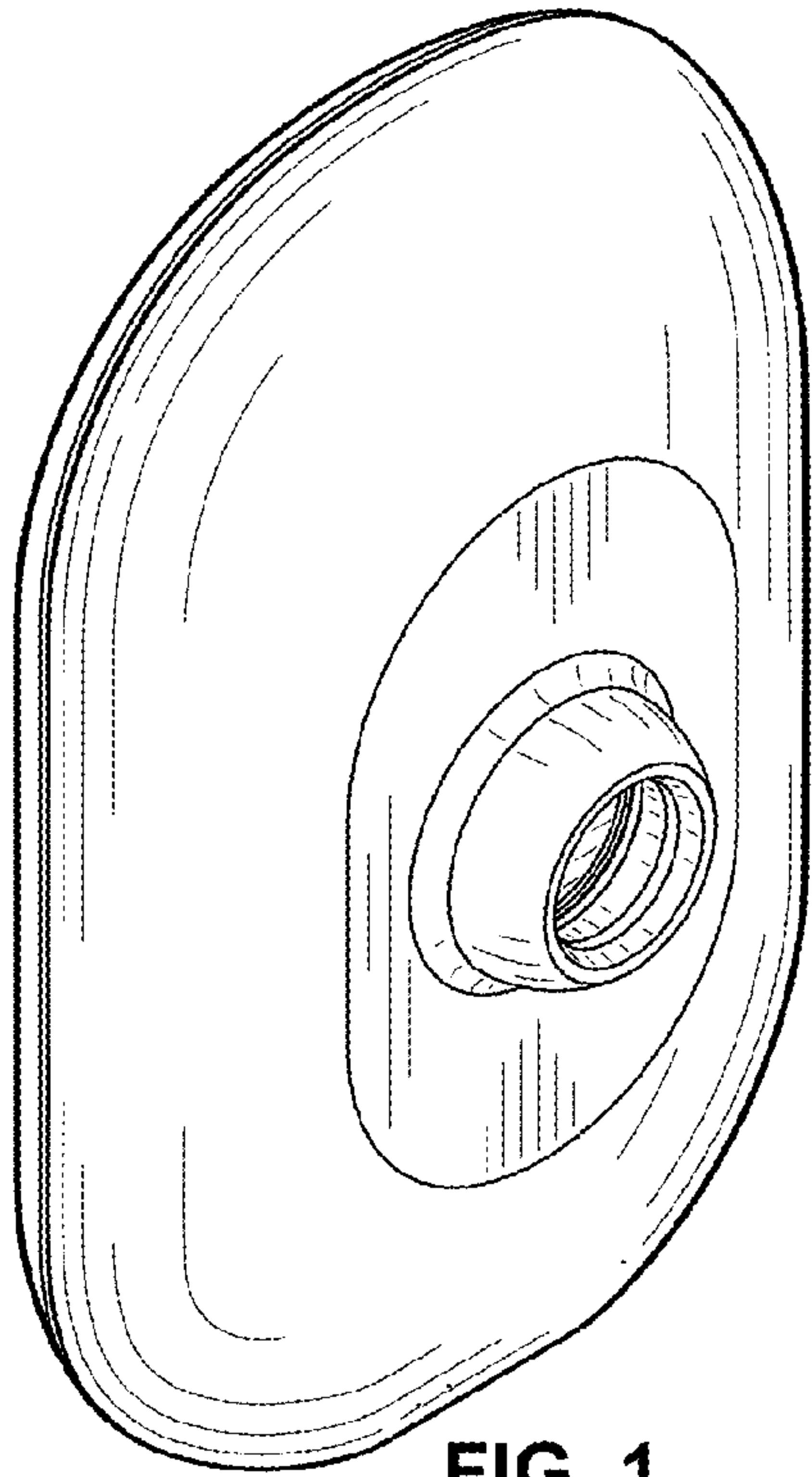


FIG. 1

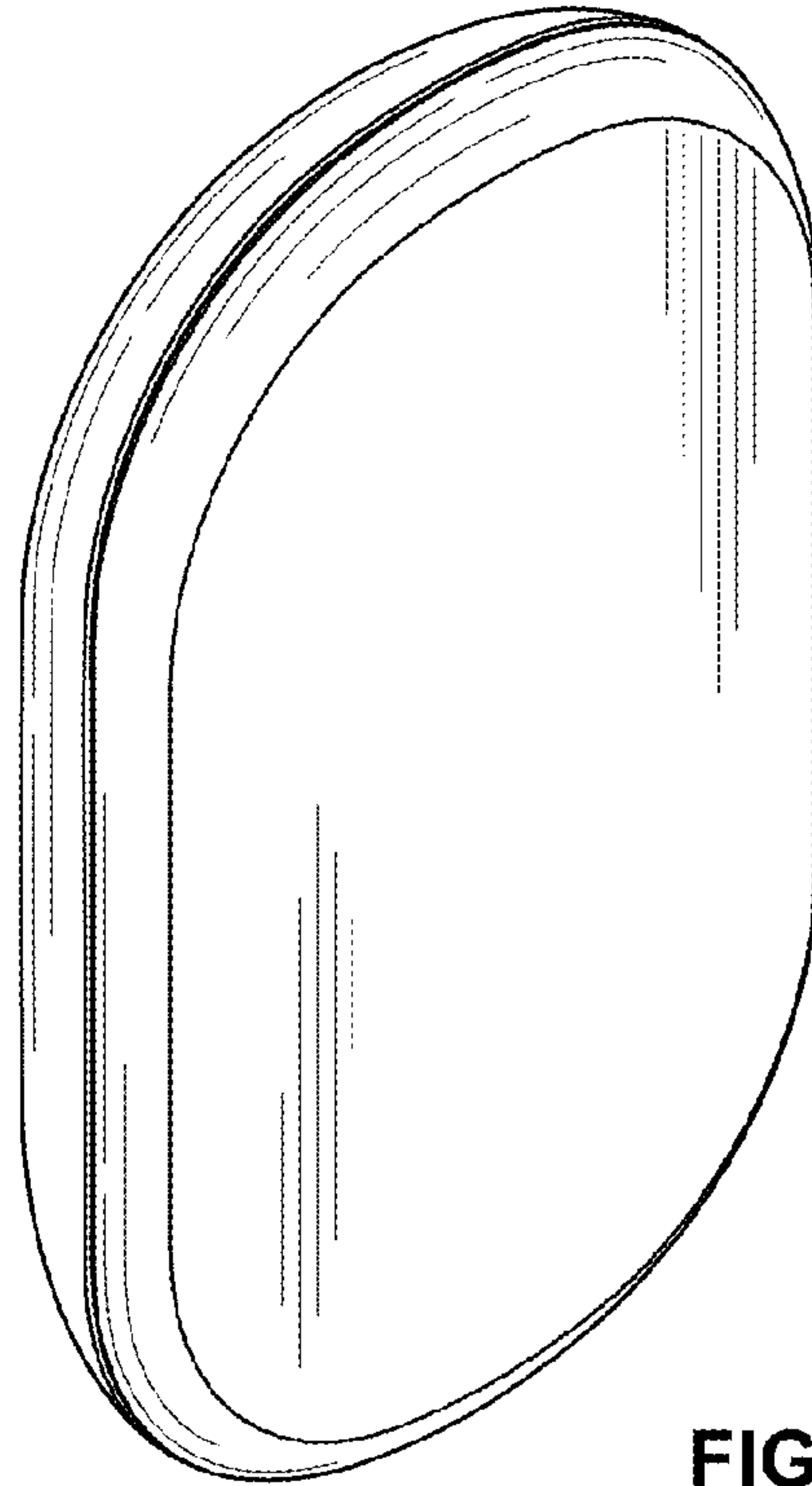


FIG. 2

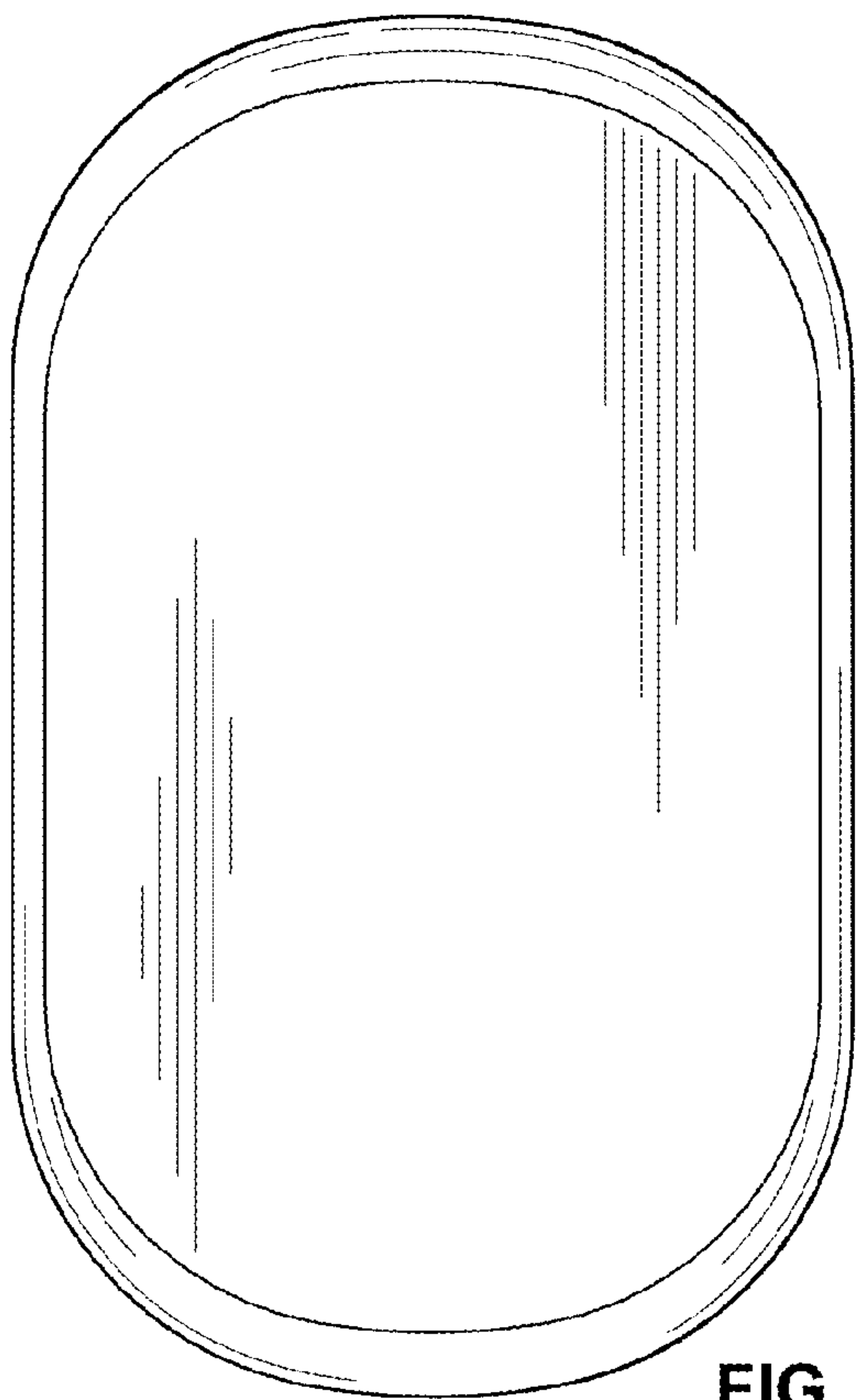


FIG. 3

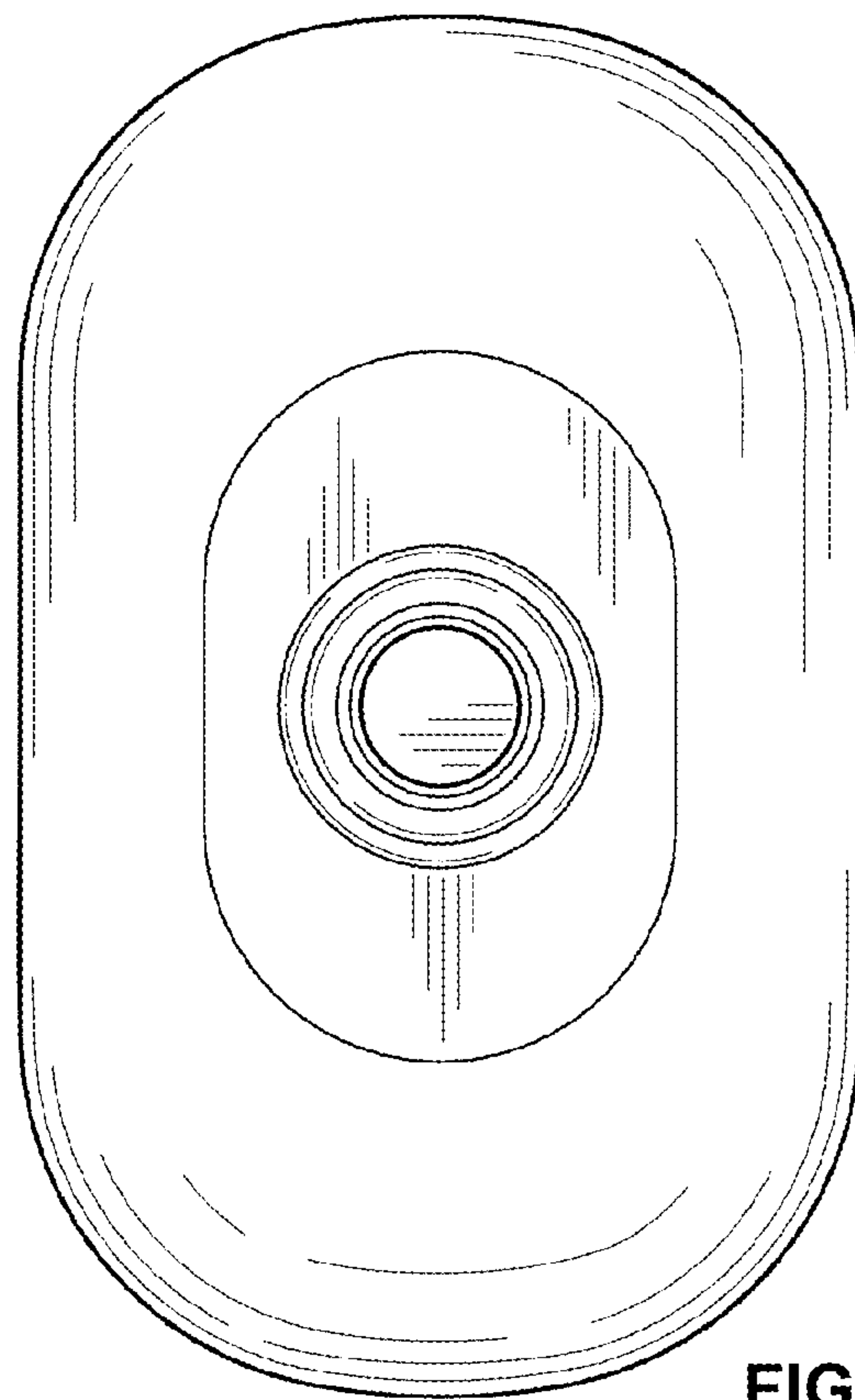


FIG. 4

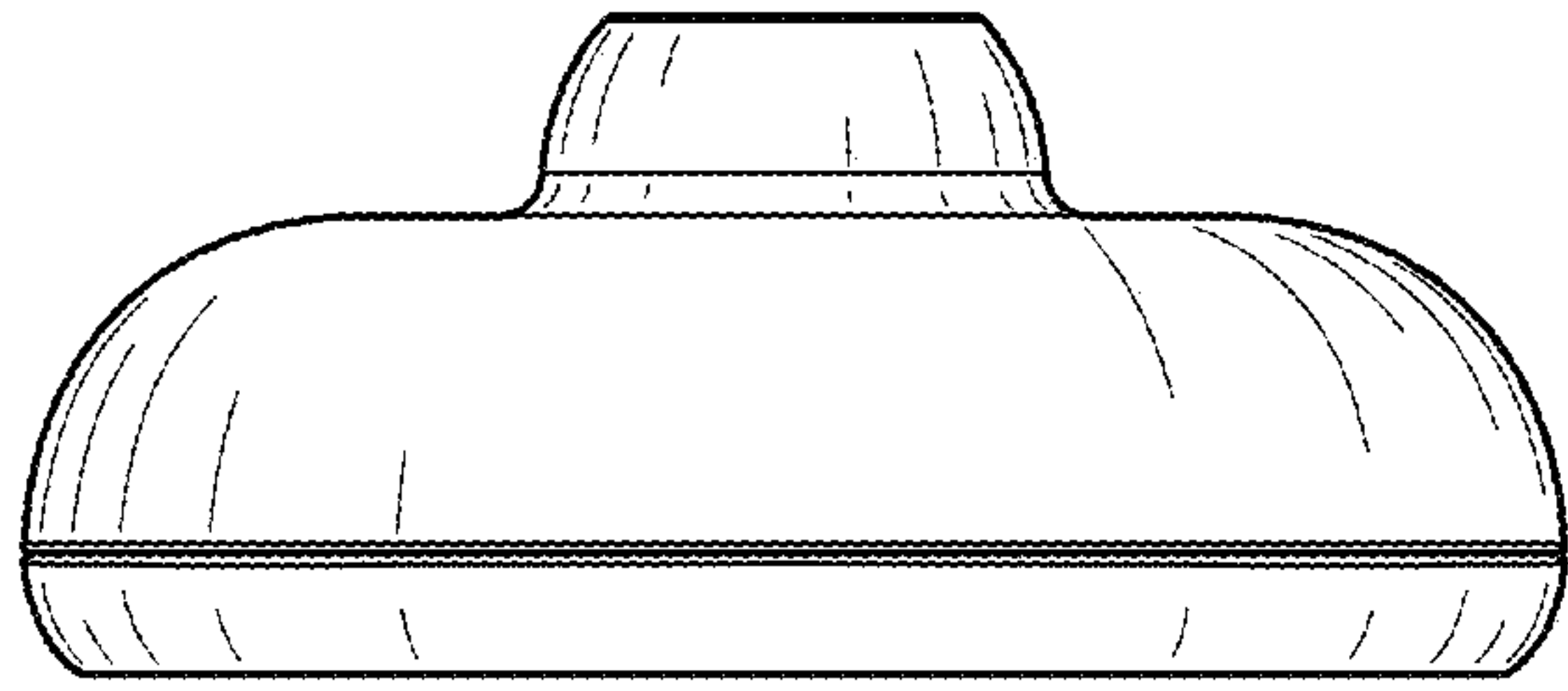


FIG. 5

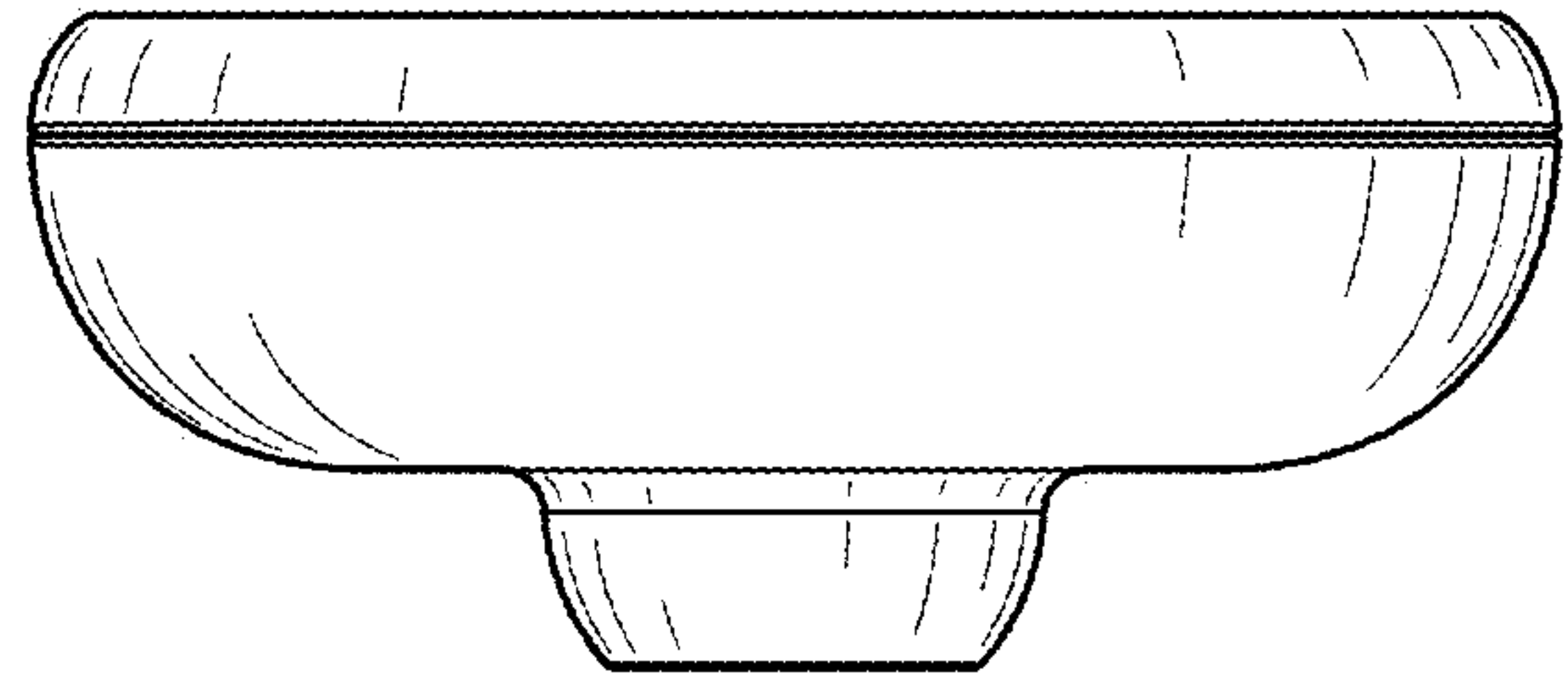


FIG. 6

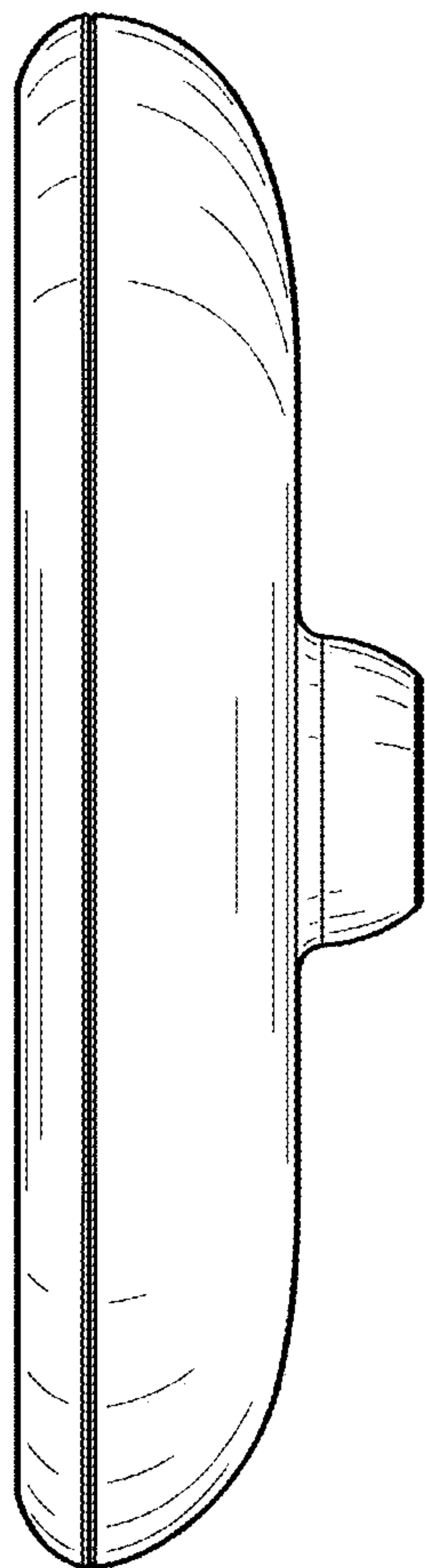


FIG. 7

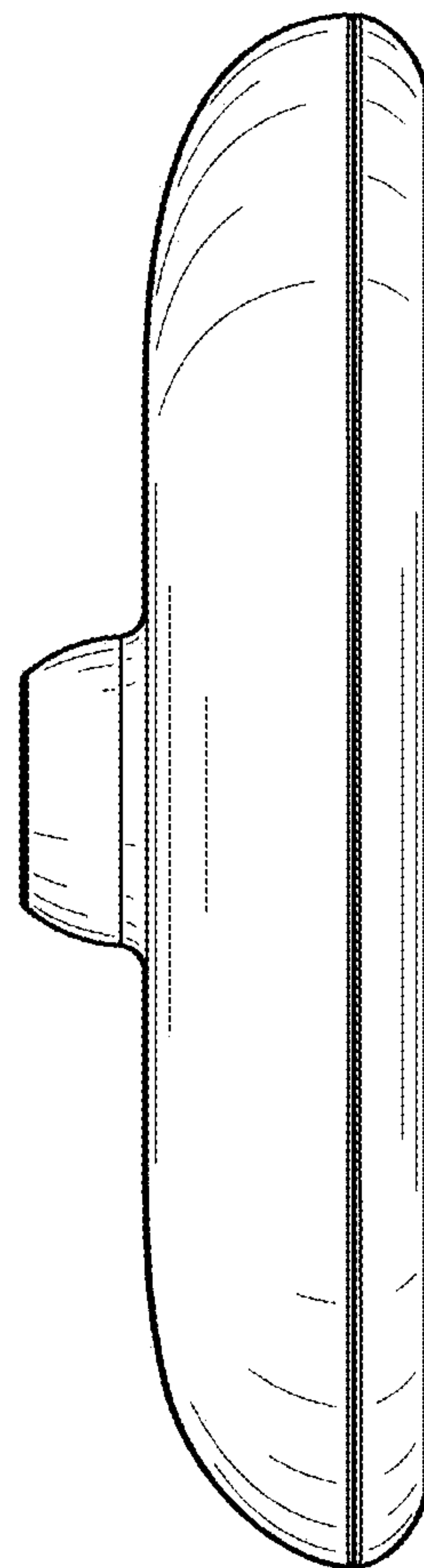


FIG. 8

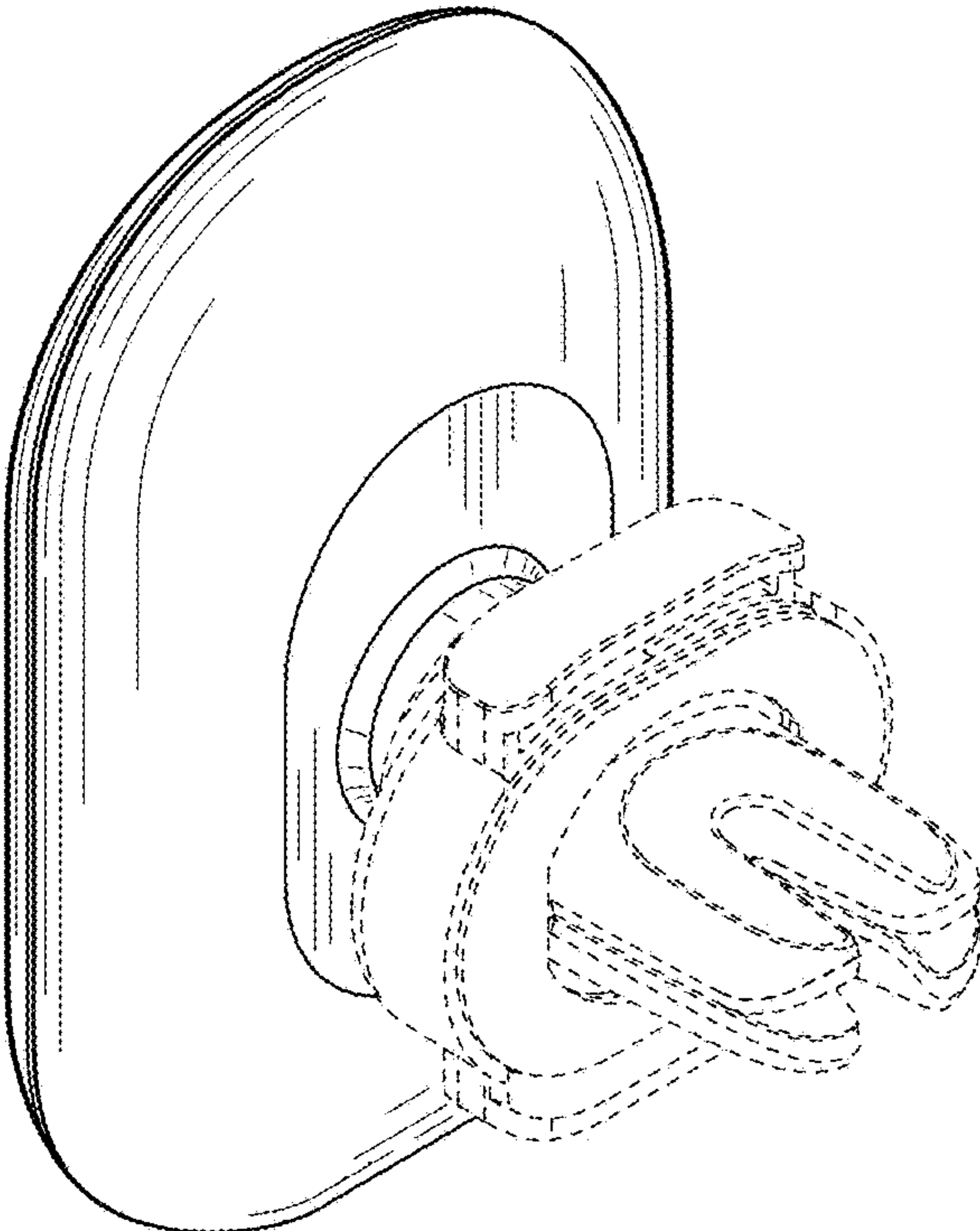


FIG. 9

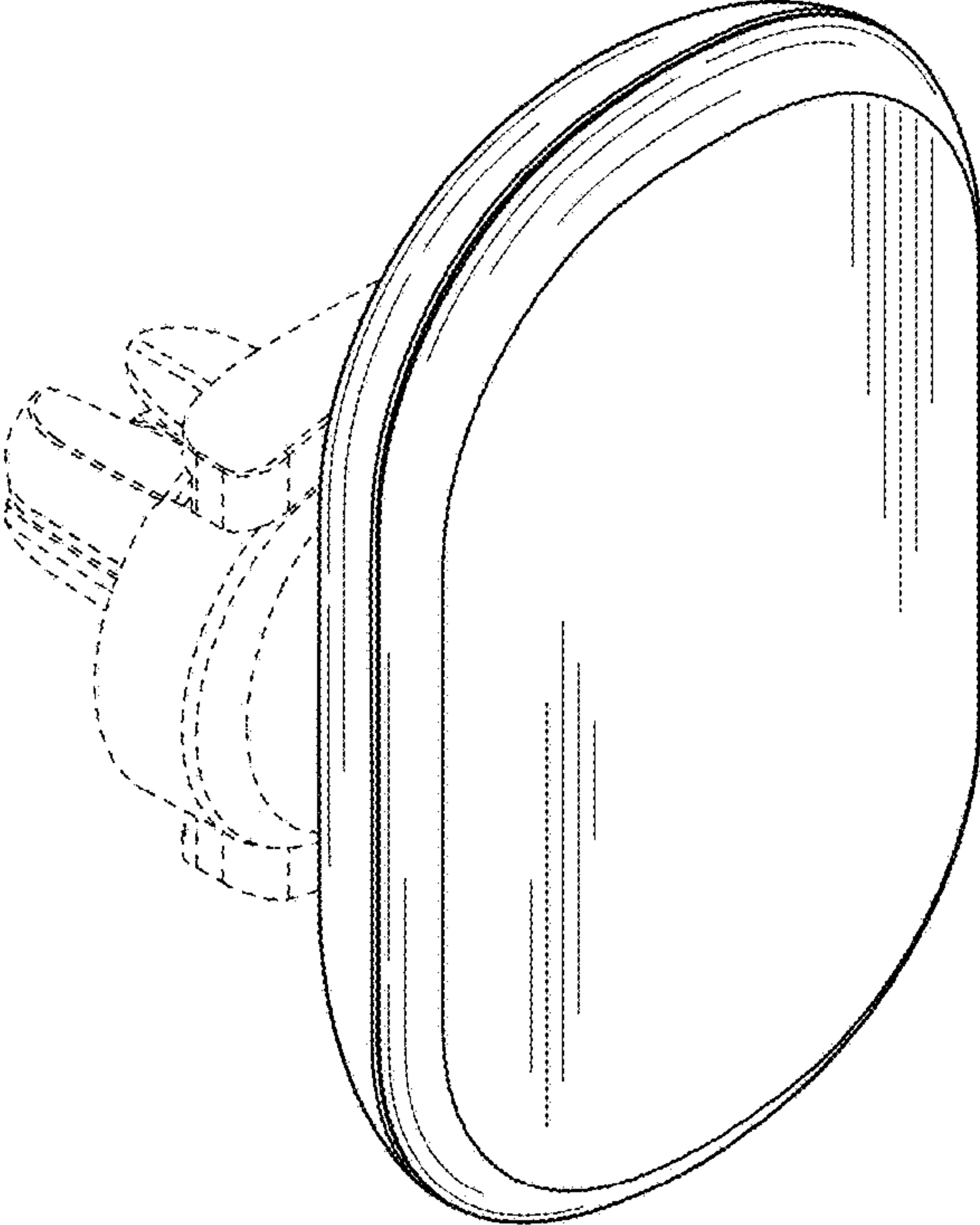


FIG. 10