



US00D877741S

(12) **United States Design Patent**
Leeds-Frank

(10) **Patent No.:** **US D877,741 S**
(45) **Date of Patent:** **** Mar. 10, 2020**

(54) **MOUNT HEAD FOR MOBILE DEVICE**

(71) Applicant: **iOttie, Inc.**, New York, NY (US)

(72) Inventor: **Jeremy Leeds-Frank**, Mineola, NY (US)

(73) Assignee: **IOTTIE, INC.**, New York, NY (US)

(**) Term: **15 Years**

(21) Appl. No.: **29/674,887**

(22) Filed: **Dec. 27, 2018**

(51) **LOC (12) Cl.** **08-07**

(52) **U.S. Cl.**

USPC **D14/447**

(58) **Field of Classification Search**

USPC D14/447, 432, 434, 439, 440, 451, 452,
D14/457, 239, 253; D8/363, 373, 380;
D6/406.3, 406.4, 406.5, 406.6; D12/415;
D13/108

CPC A47B 21/04; A47B 2097/006; A47B
2097/005; A47B 2023/049; A45C
2011/002; A45C 2011/003; F16M
2200/00; F16M 13/00

See application file for complete search history.

(56) **References Cited**

U.S. PATENT DOCUMENTS

D648,727 S * 11/2011 Van Den Nieuwenhuizen
D14/447
D689,058 S * 9/2013 Waterman D14/447

D768,125 S * 10/2016 Kim D14/253
D772,218 S * 11/2016 Alesi D14/253
D778,714 S * 2/2017 McSweyn D12/415
D792,416 S * 7/2017 Tsai D14/447
D823,847 S * 7/2018 Lebovitz D14/253
D825,548 S * 8/2018 Lebovitz D14/253
D840,409 S * 2/2019 Miller D14/447
D849,012 S * 5/2019 Yao D14/447
D858,509 S * 9/2019 Yao D14/253
D859,393 S * 9/2019 Dang D14/253

* cited by examiner

Primary Examiner — Angela J Lee

(74) *Attorney, Agent, or Firm* — Lucas & Mercanti, LLP

(57) **CLAIM**

The ornamental design for a mount head for mobile device, as shown and described.

DESCRIPTION

FIG. 1 is a front view of our new design for a mount head for mobile device;

FIG. 2 is a rear view thereof;

FIG. 3 is a left side view thereof;

FIG. 4 is a right side view thereof;

FIG. 5 is a top view thereof;

FIG. 6 is a bottom view thereof;

FIG. 7 is a front right perspective view thereof;

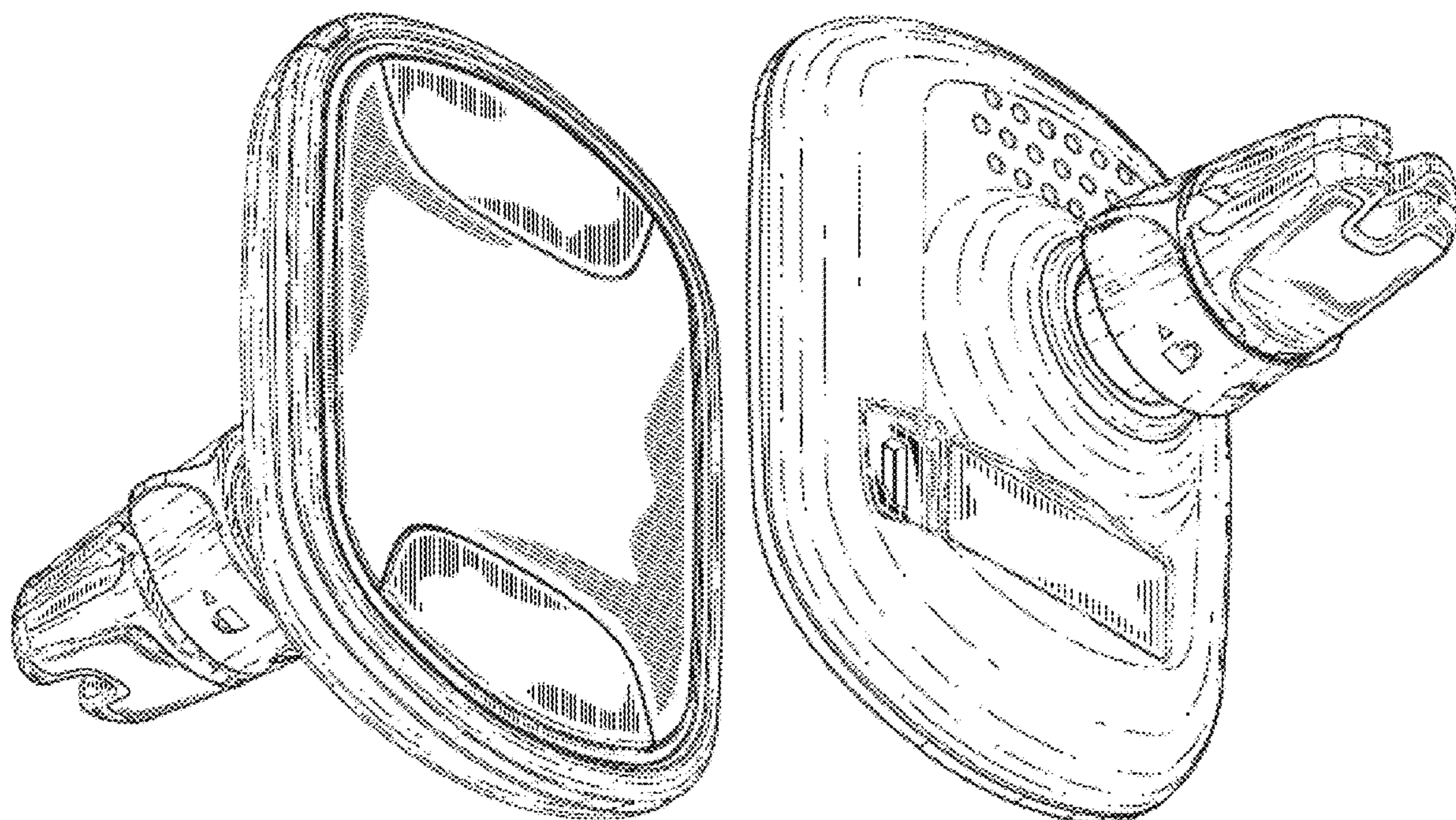
FIG. 8 is a rear right perspective view thereof;

FIG. 9 is a rear left perspective view thereof; and,

FIG. 10 is a front left side perspective view thereof.

The broken line depicts unclaimed portions of the design.

1 Claim, 10 Drawing Sheets



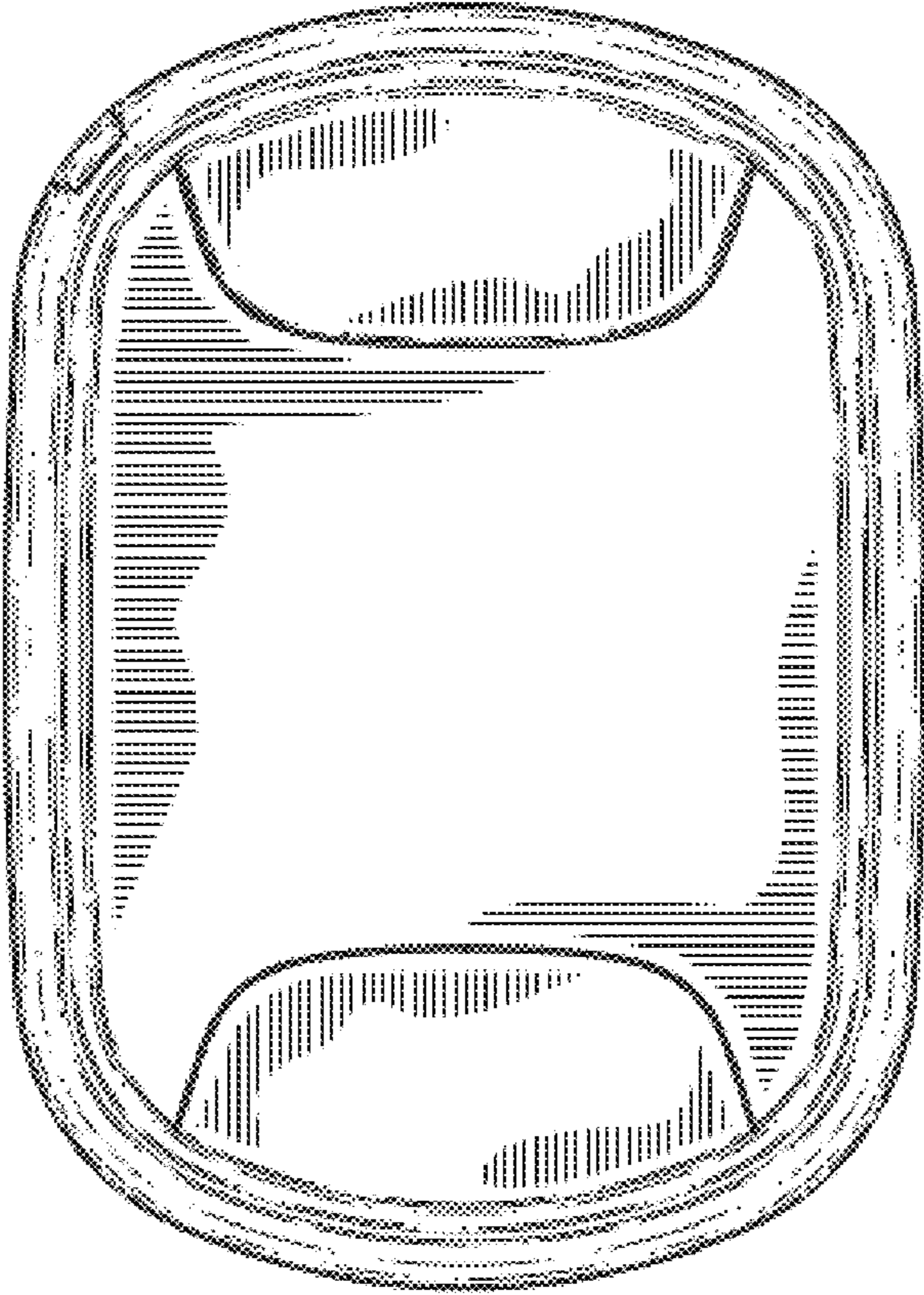


FIG. 1

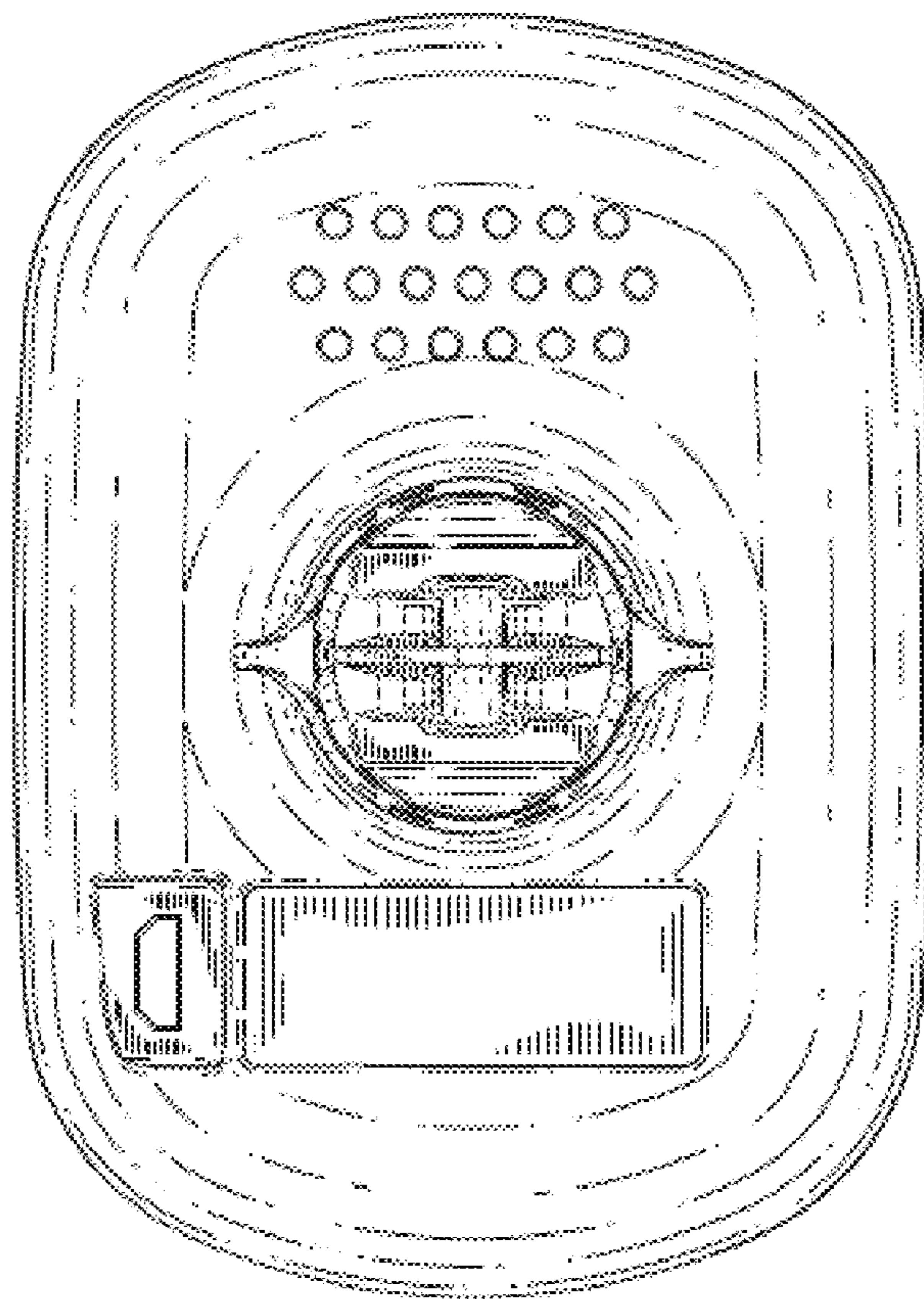
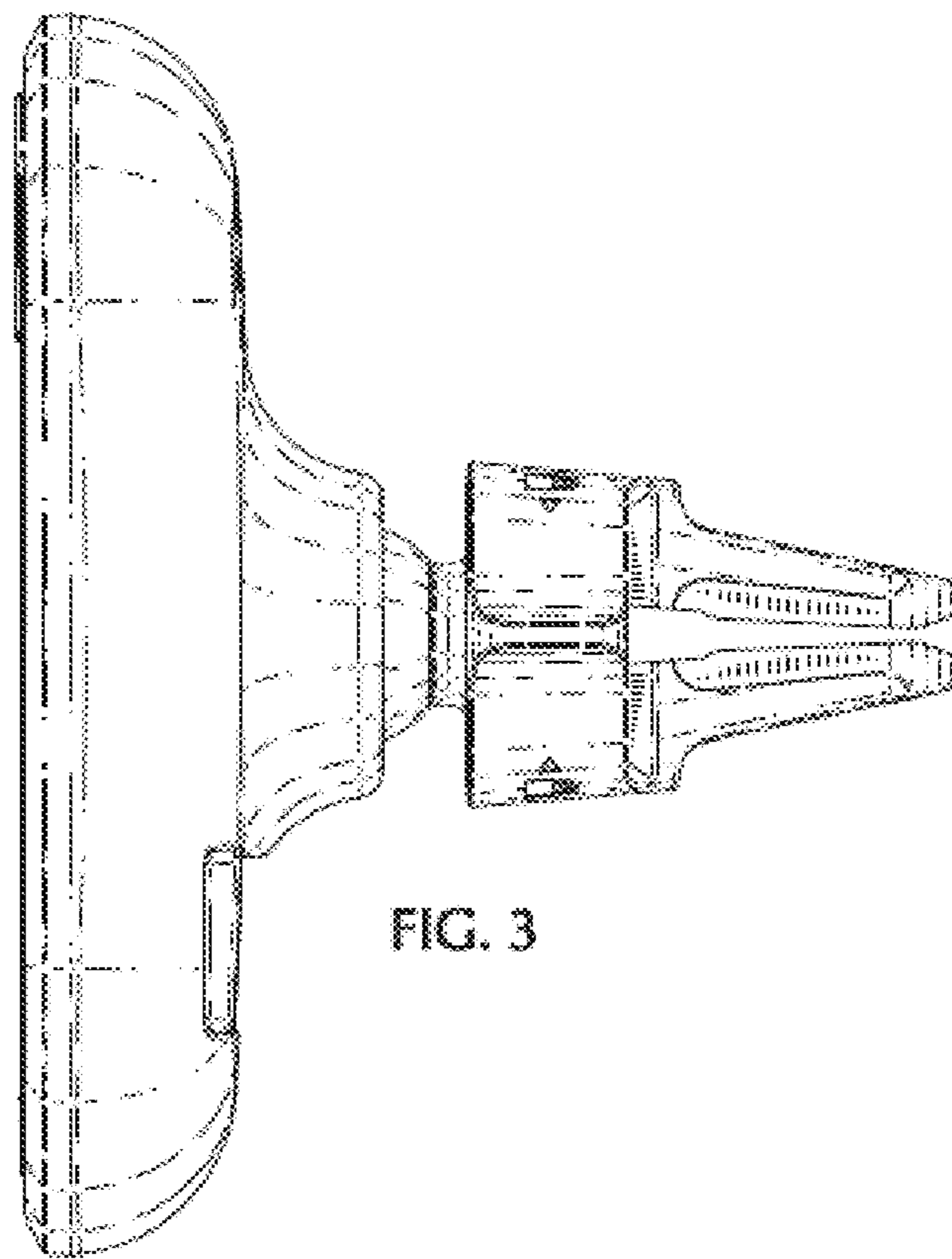


FIG. 2



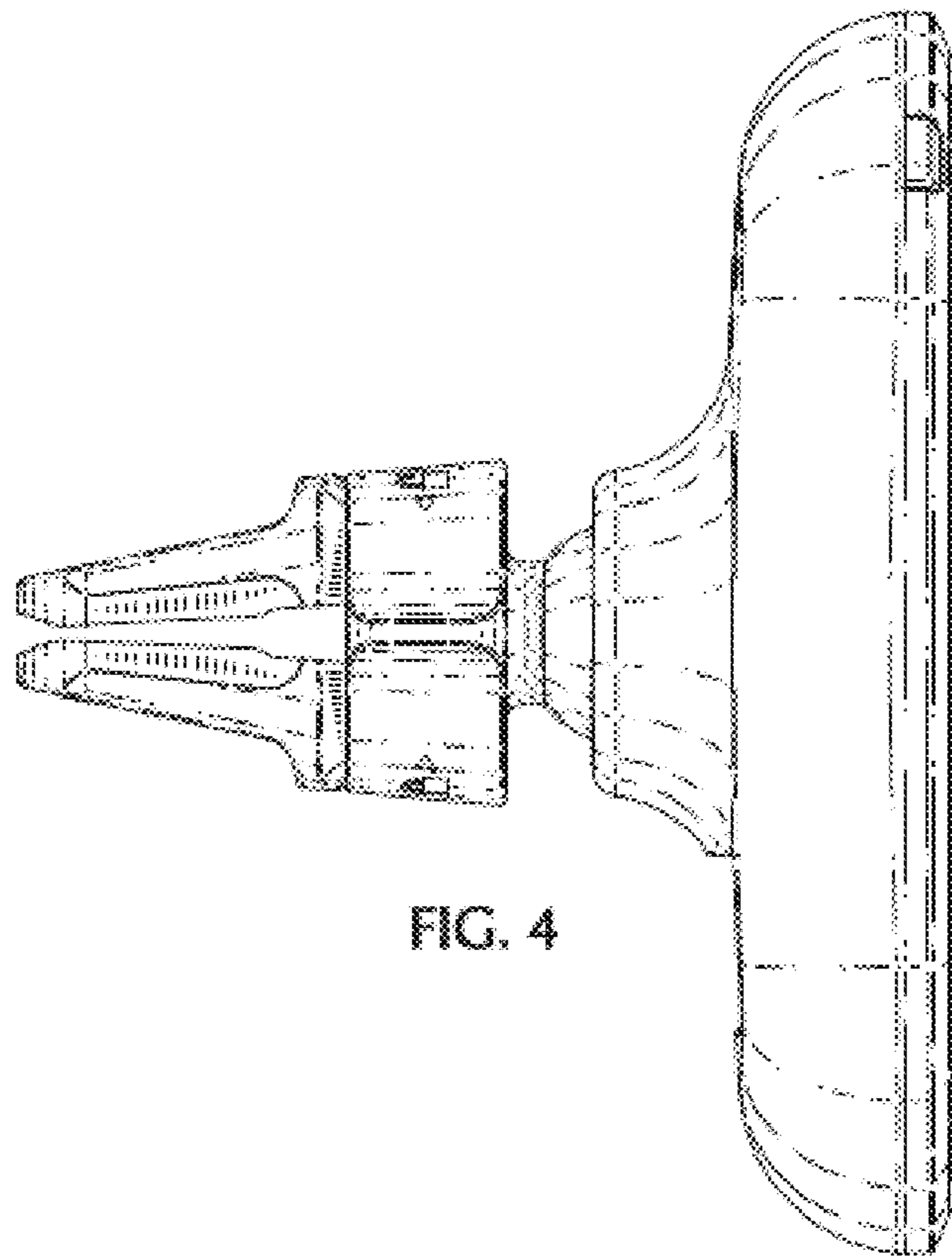


FIG. 4

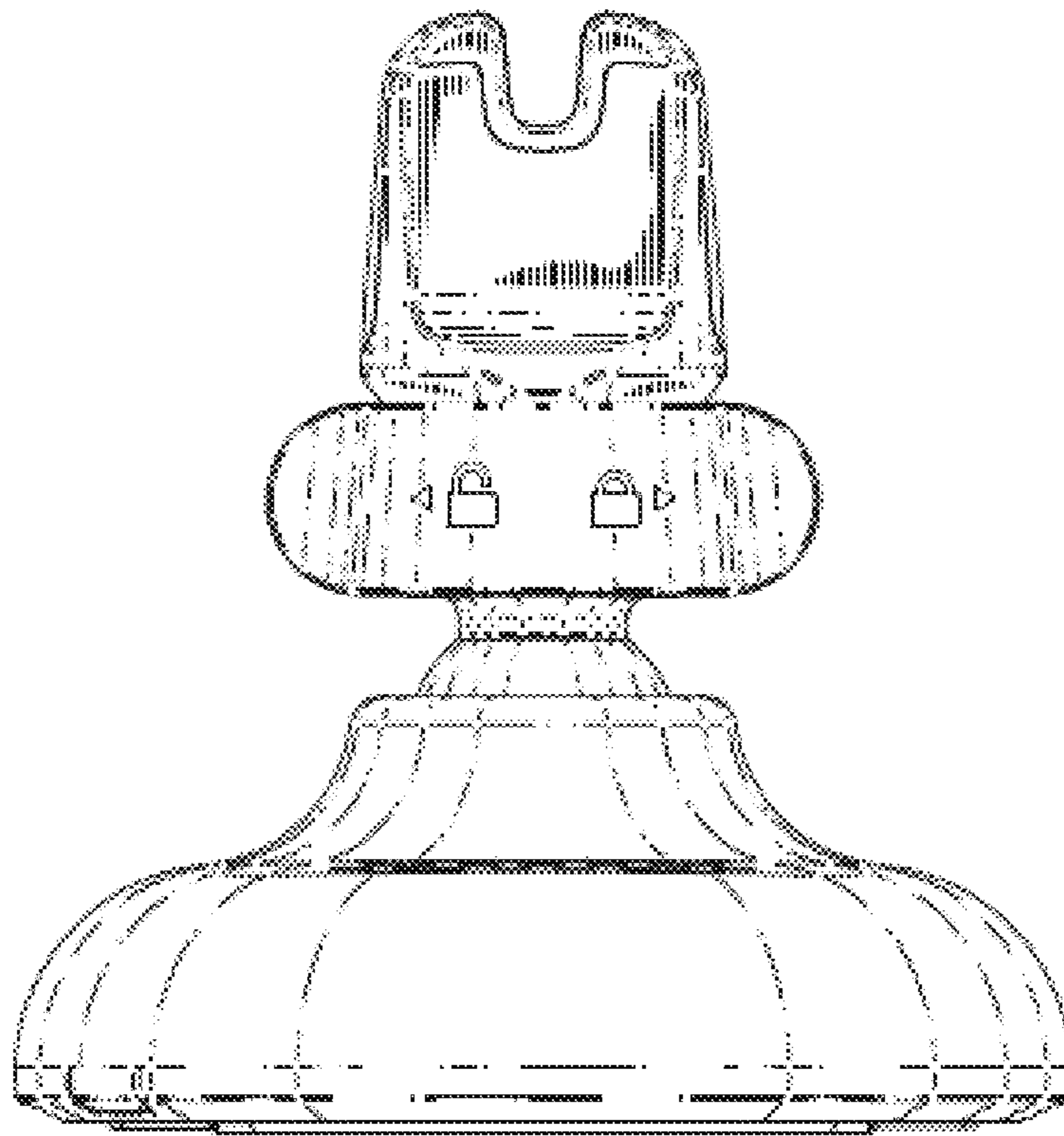


FIG. 5

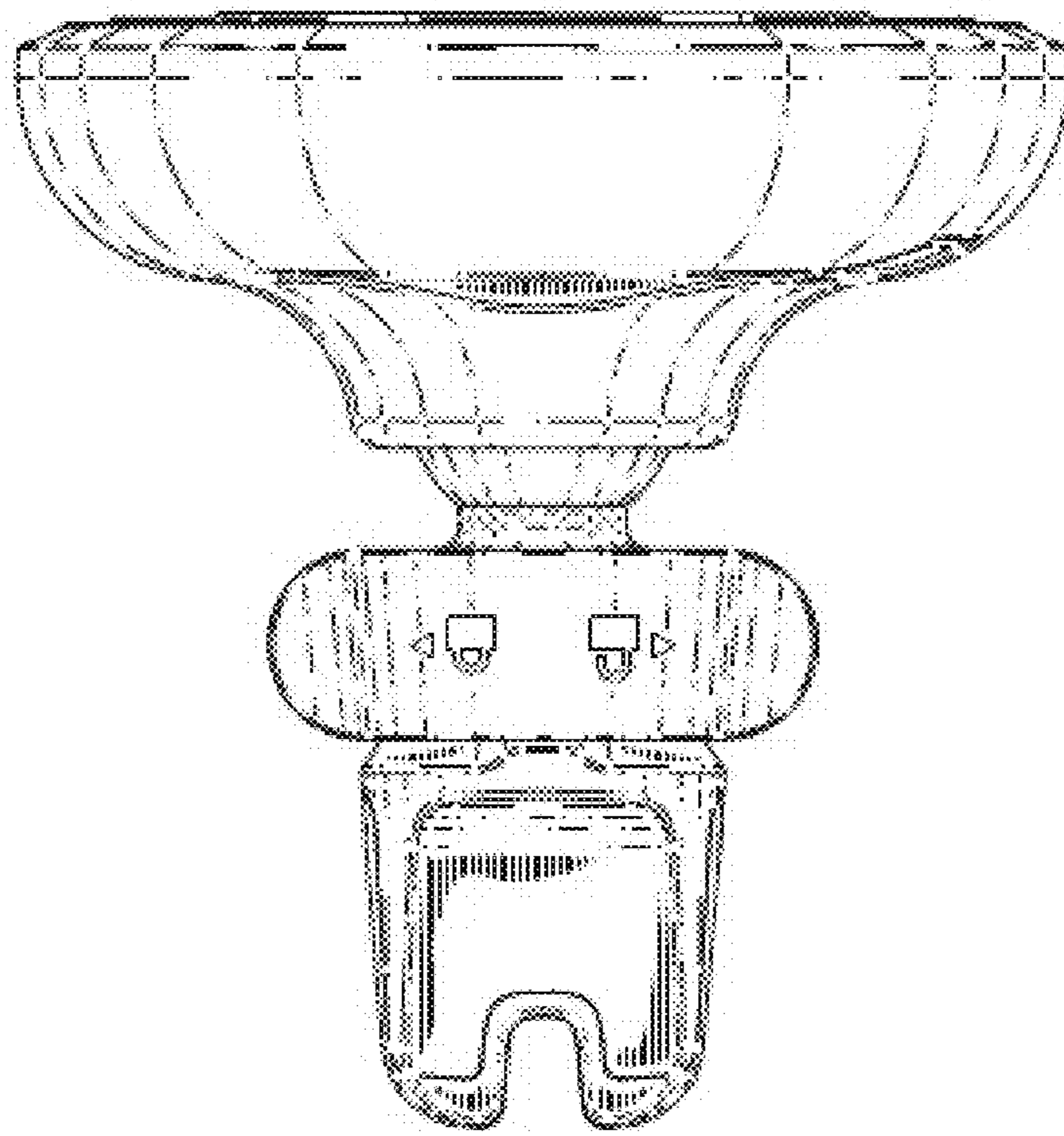


FIG. 6

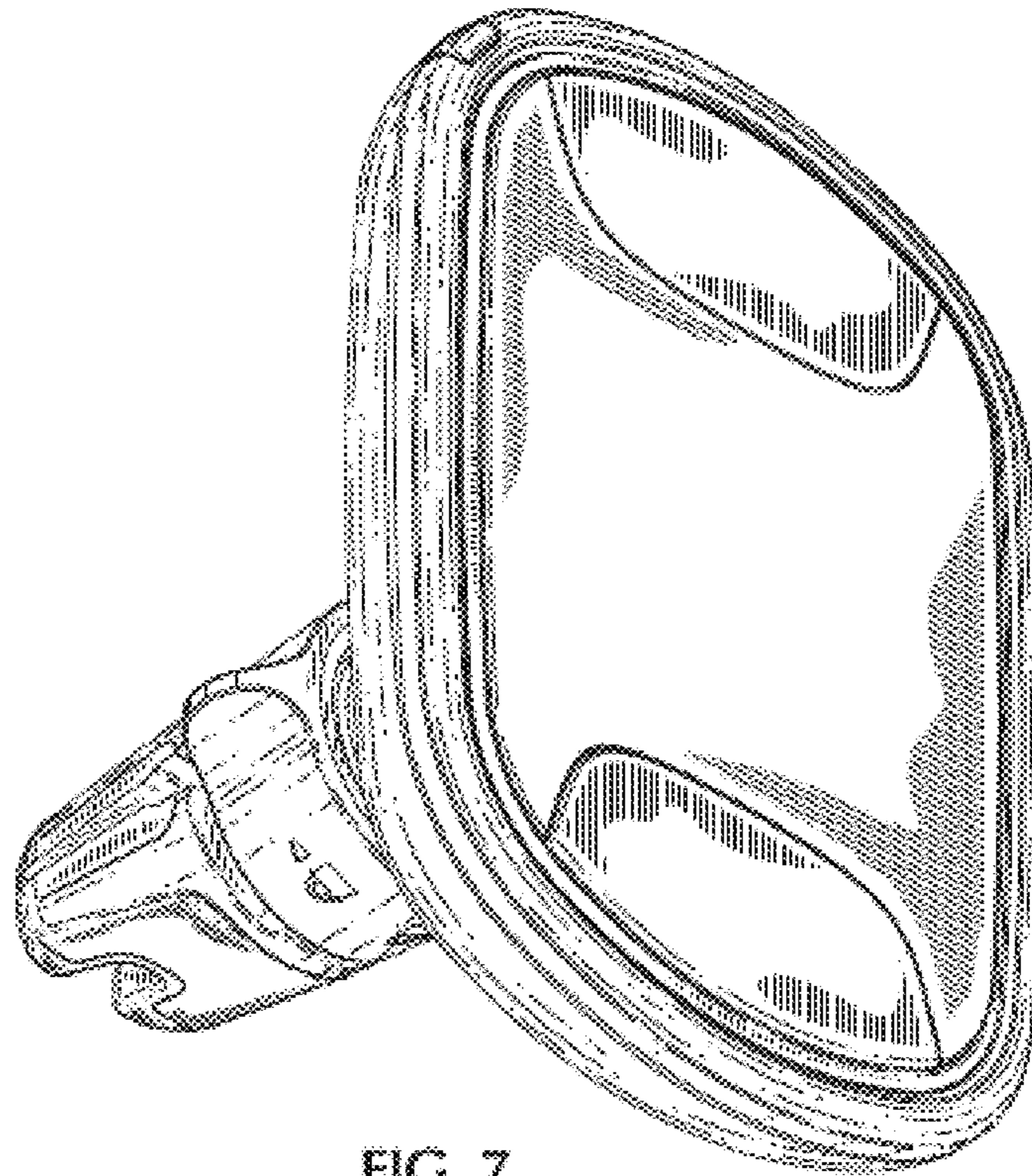


FIG. 7

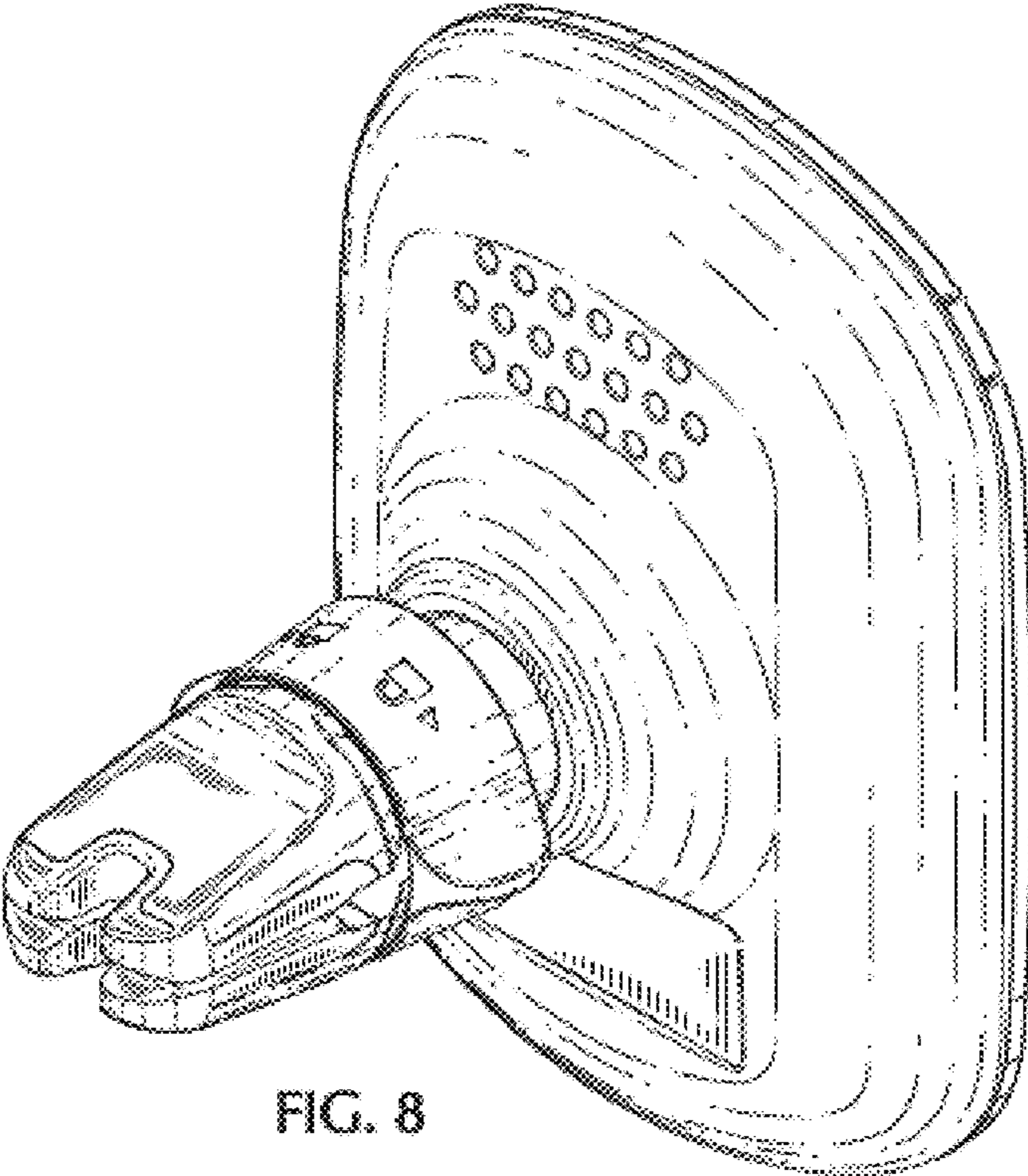


FIG. 8

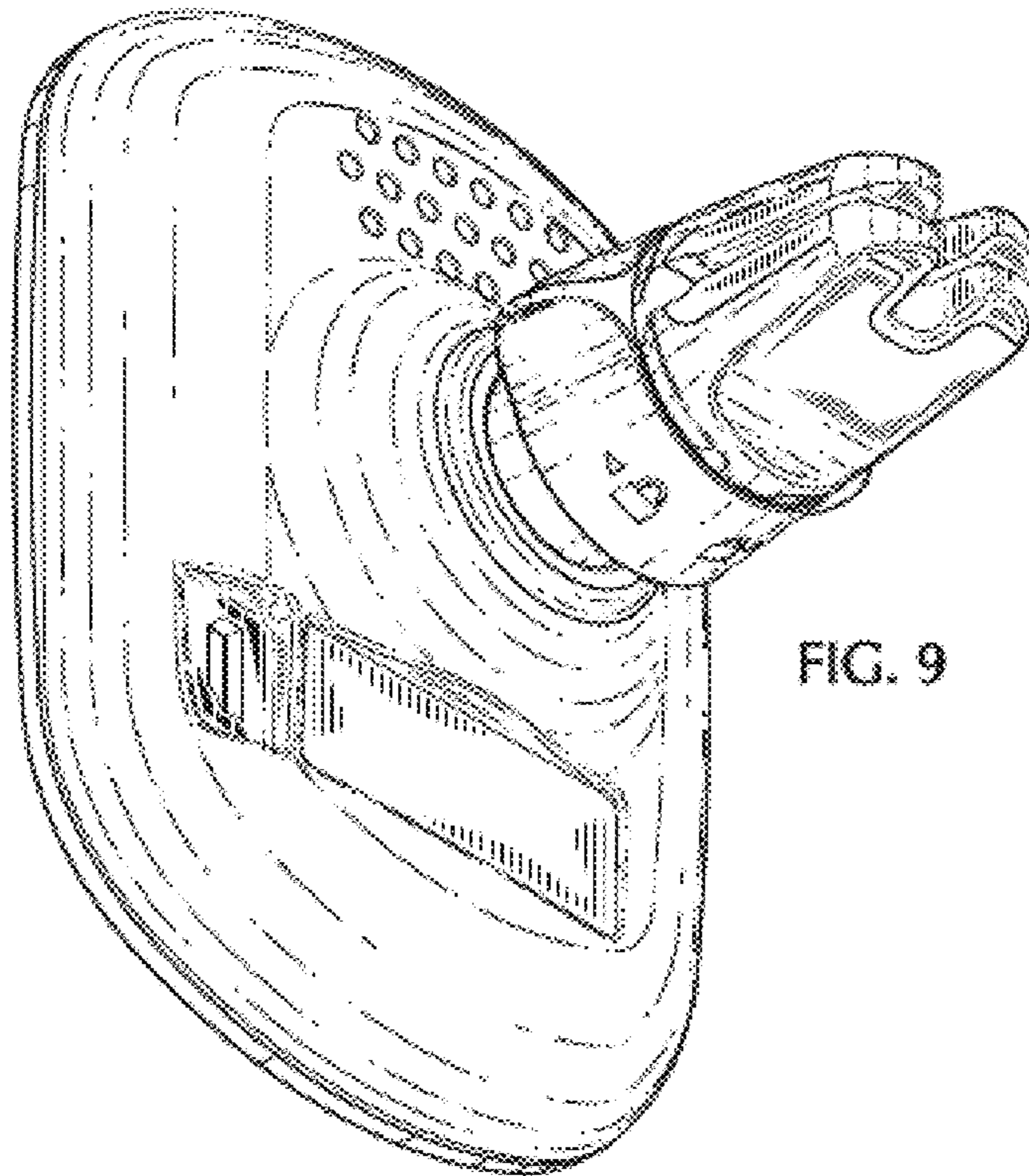


FIG. 9

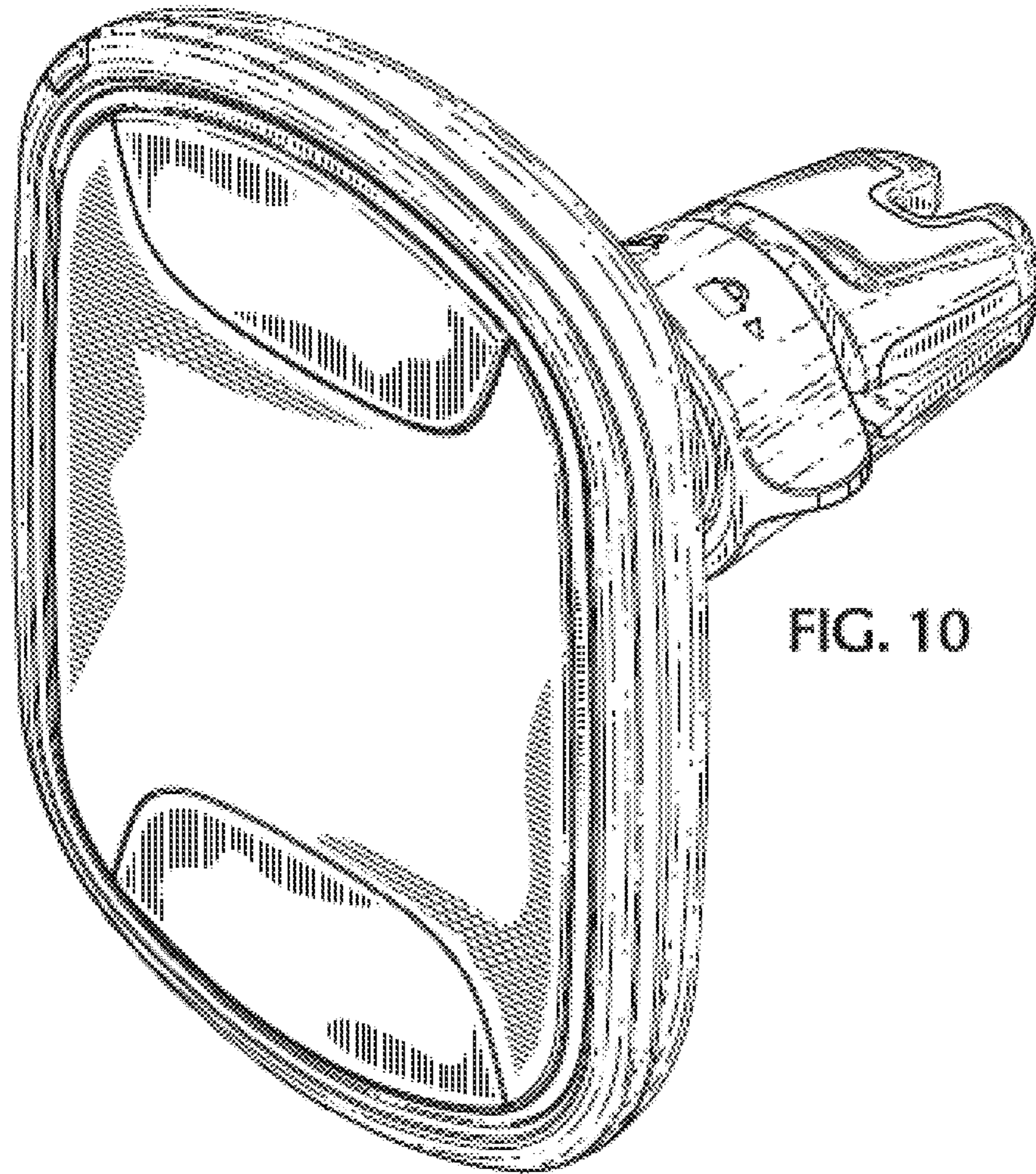


FIG. 10