



US00D877740S

(12) **United States Design Patent**
Wesenhagen

(10) **Patent No.:** **US D877,740 S**
(45) **Date of Patent:** **** Mar. 10, 2020**

(54) **ELECTRONIC DEVICE HOLDER**
(71) Applicant: **Humphrey Erwin Wesenhagen**, Oro Valley, AZ (US)
(72) Inventor: **Humphrey Erwin Wesenhagen**, Oro Valley, AZ (US)
(**) Term: **15 Years**
(21) Appl. No.: **29/671,500**
(22) Filed: **Nov. 28, 2018**
(51) **LOC (12) Cl.** **08-07**
(52) **U.S. Cl.**
USPC **D14/447**
(58) **Field of Classification Search**
USPC D14/447, 432, 434, 439, 440, 451, 452, D14/457, 239, 253, 345; D8/363, 373, D8/380; D6/406.3, 406.4, 406.5, 406.6; D12/415; D13/108
CPC A47B 21/04; A47B 2097/006; A47B 2097/005; A47B 2023/049; A45C 2011/002; A45C 2011/003; F16M 2200/00; F16M 13/00
See application file for complete search history.

D692,900 S * 11/2013 Kovacs H01R 13/73 D14/447
D703,673 S * 4/2014 Kittlaus D14/447
D721,377 S * 1/2015 Pelster D14/447
D760,724 S * 7/2016 Kang D14/447
D771,614 S * 11/2016 Chang D14/253
D785,638 S * 5/2017 Hsu D14/447
D791,771 S * 7/2017 Akana D14/432
D799,492 S * 10/2017 Seiss D14/447
D799,493 S * 10/2017 Grove D14/447

* cited by examiner

Primary Examiner — Angela J Lee
(74) *Attorney, Agent, or Firm* — Kintner IP, LLC; Mary Frances Ludwig

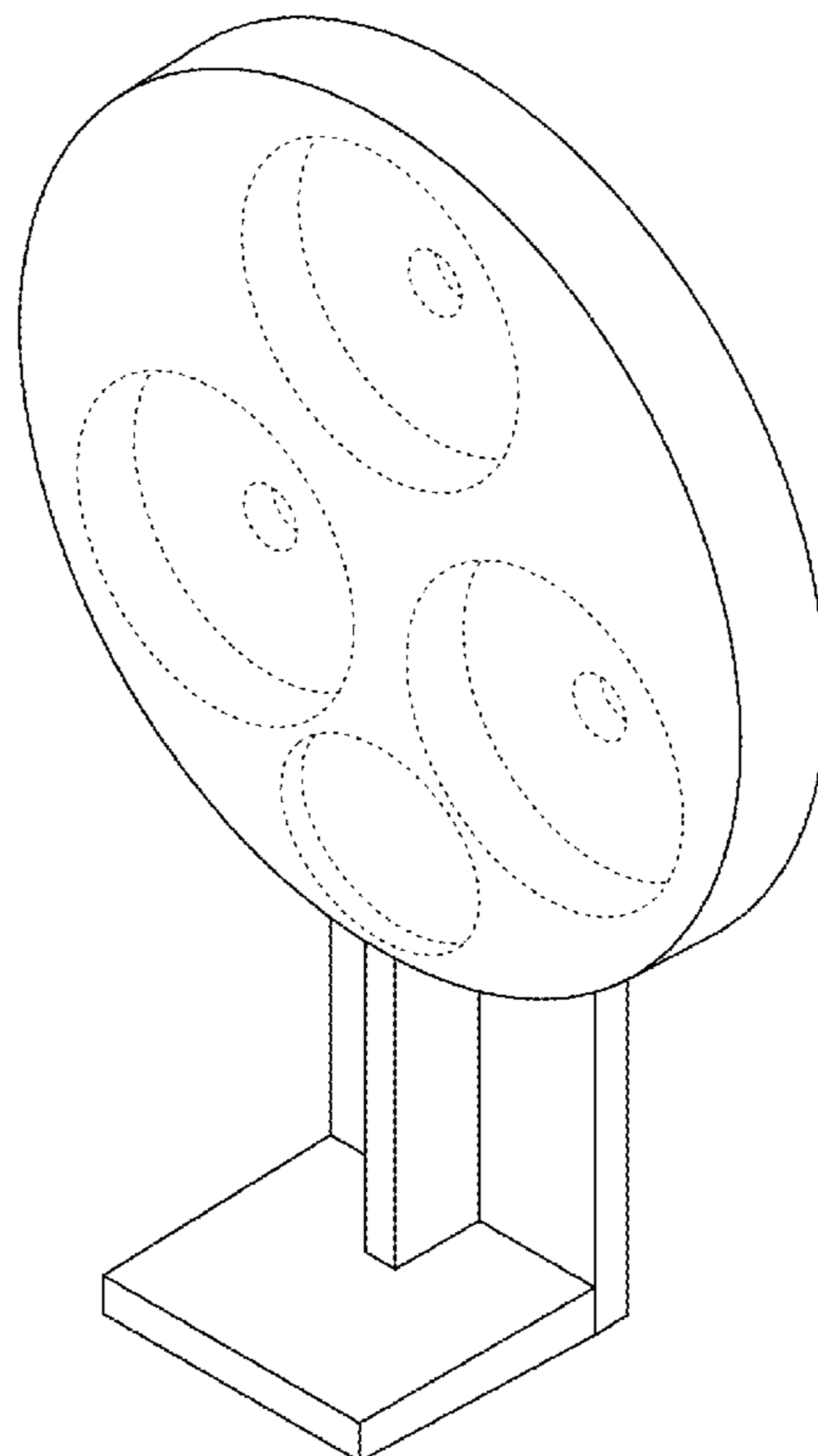
(57) **CLAIM**
The ornamental design for an electronic device holder, as shown and described.

DESCRIPTION

FIG. 1 is a front perspective view of an electronic device holder showing my new design;
FIG. 2 is a rear perspective view thereof;
FIG. 3 is a front view thereof;
FIG. 4 is a left side view thereof, the right side view being a mirror image;
FIG. 5 is a top view thereof;
FIG. 6 is a bottom view thereof; and,
FIG. 7 is a rear view thereof.
Elements shown in broken lines form no part of the claimed design.

(56) **References Cited**
U.S. PATENT DOCUMENTS
D544,547 S * 6/2007 Solland D14/434
D688,670 S * 8/2013 Huang D14/447
D692,010 S * 10/2013 Verghese D14/447

1 Claim, 3 Drawing Sheets



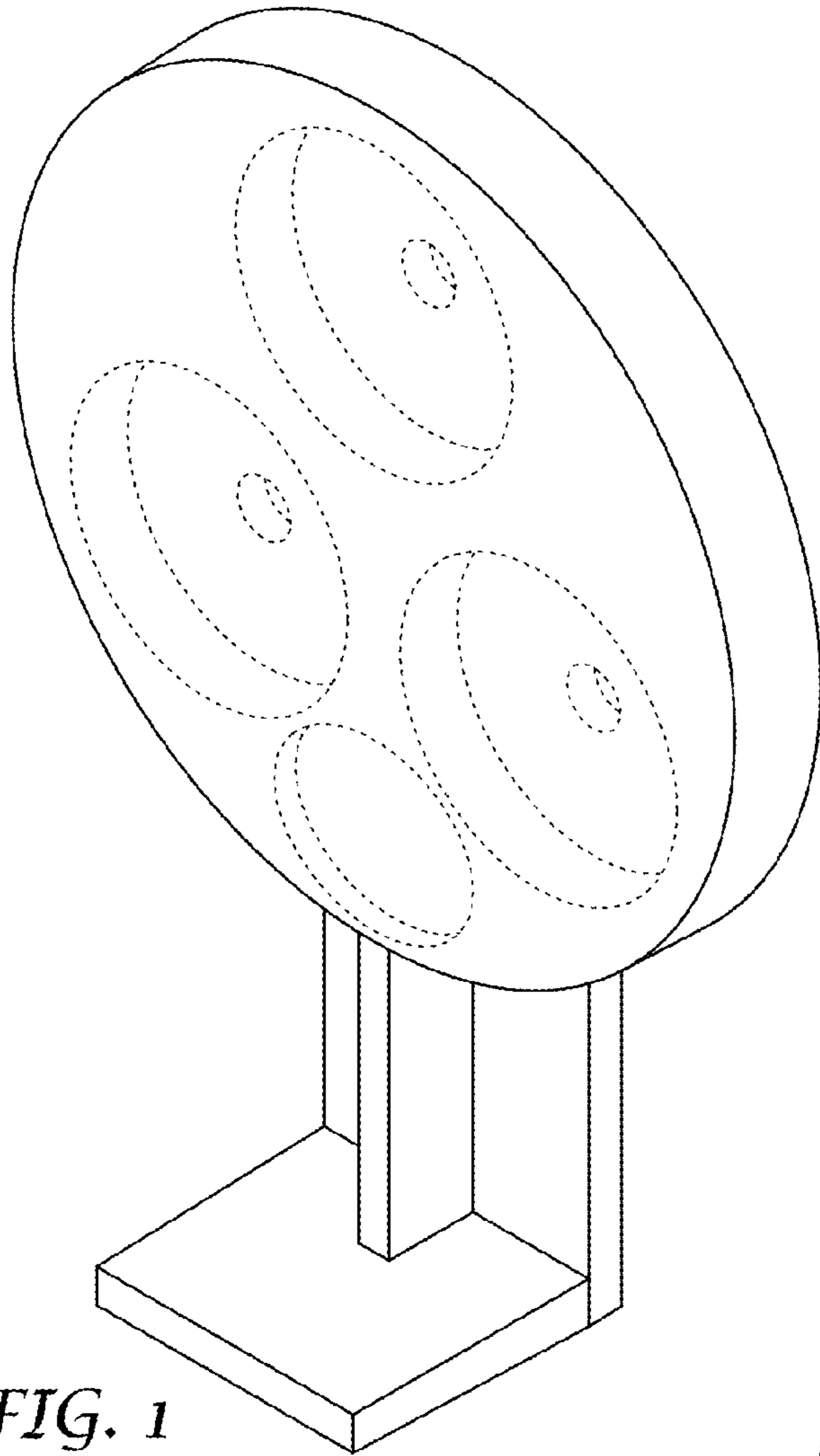


FIG. 1

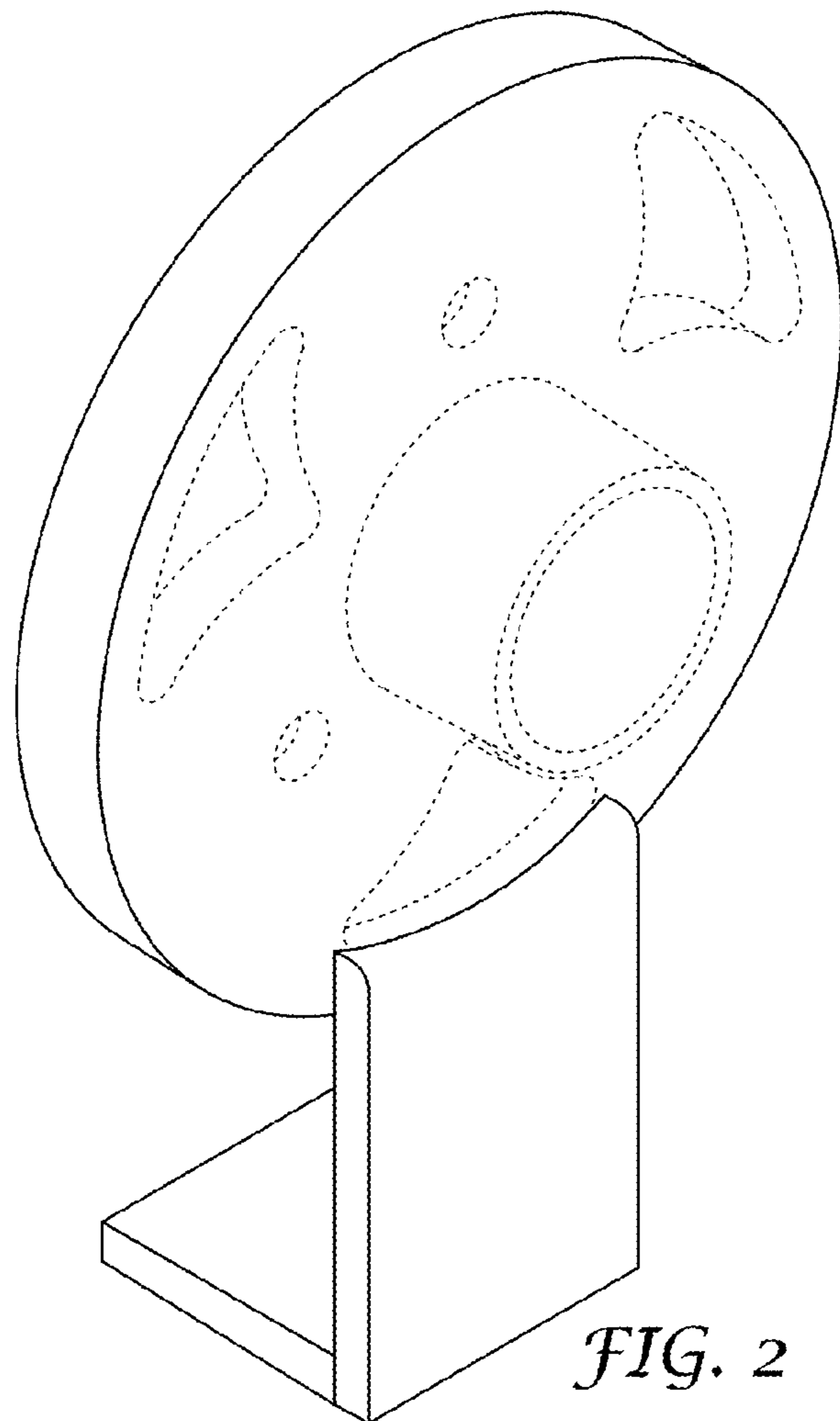


FIG. 2

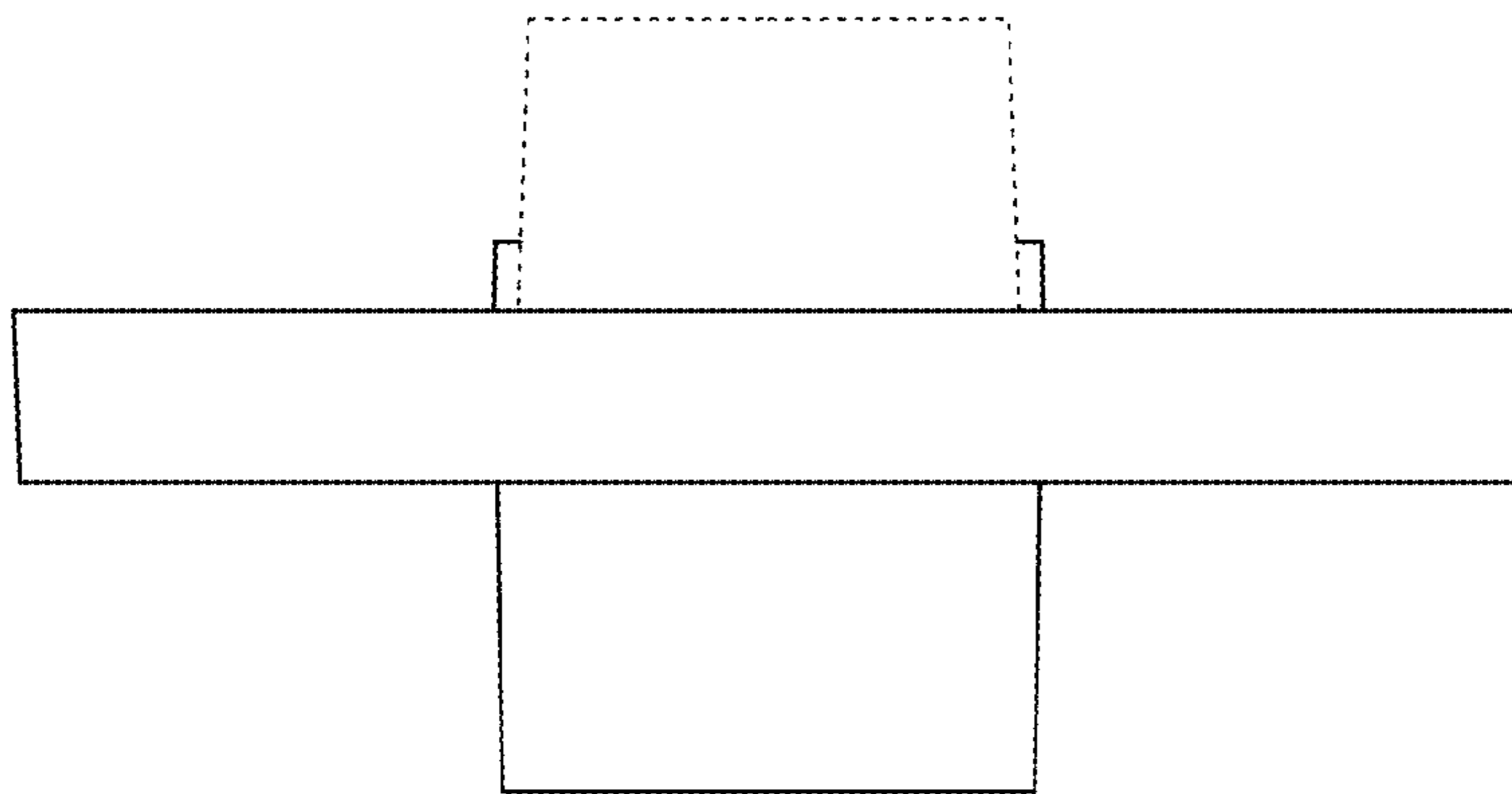


FIG. 5

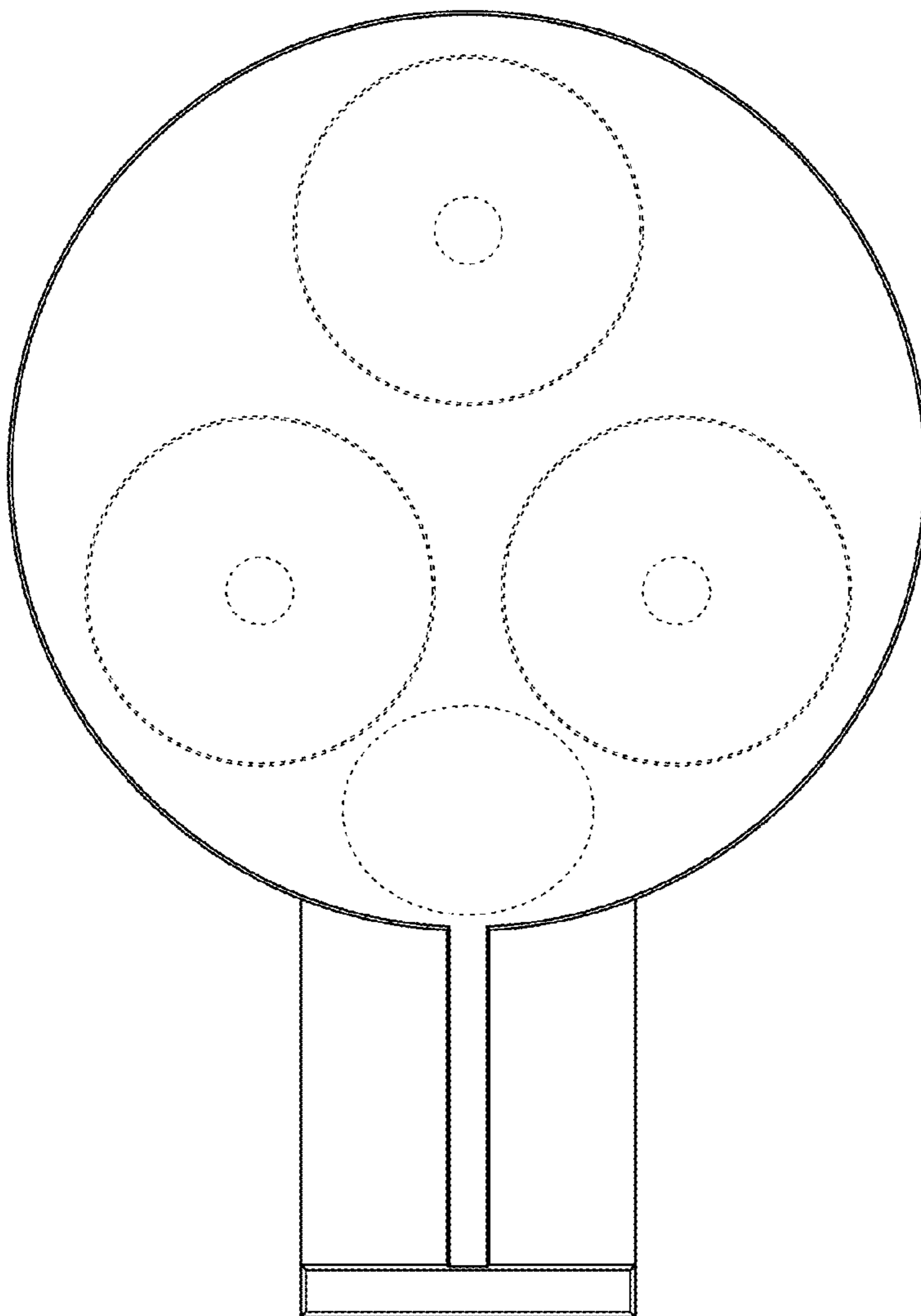


FIG. 3

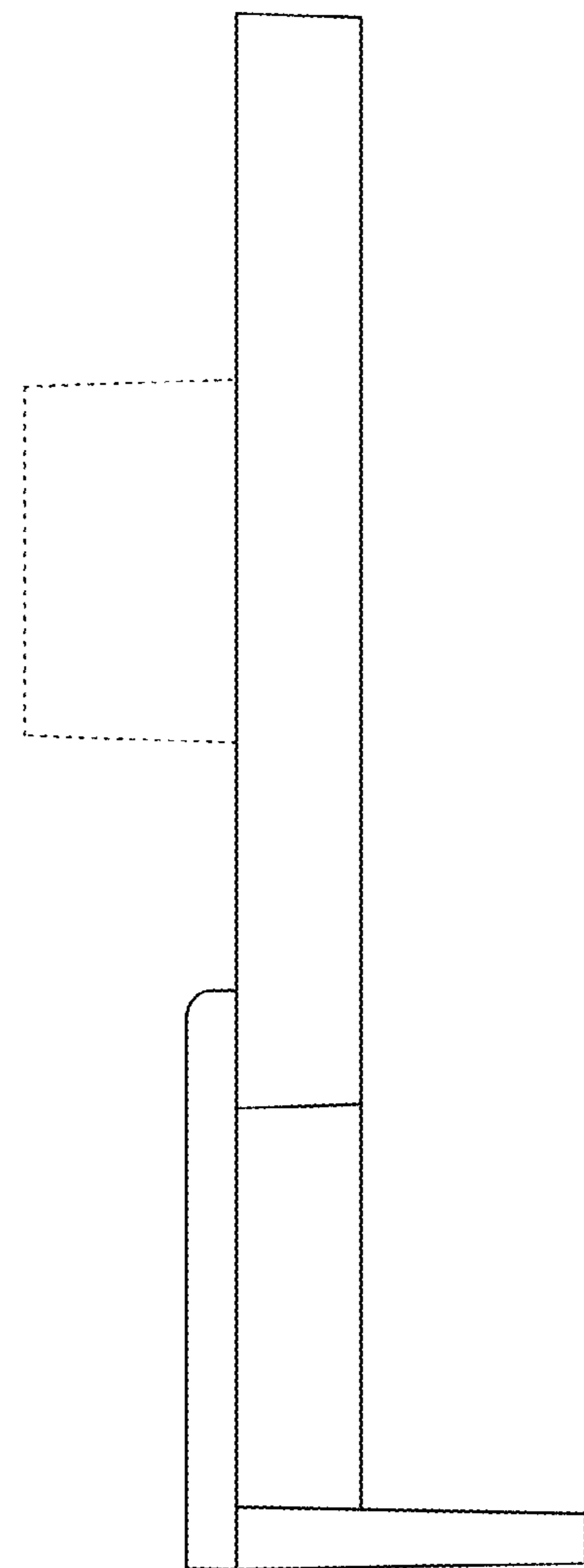


FIG. 4

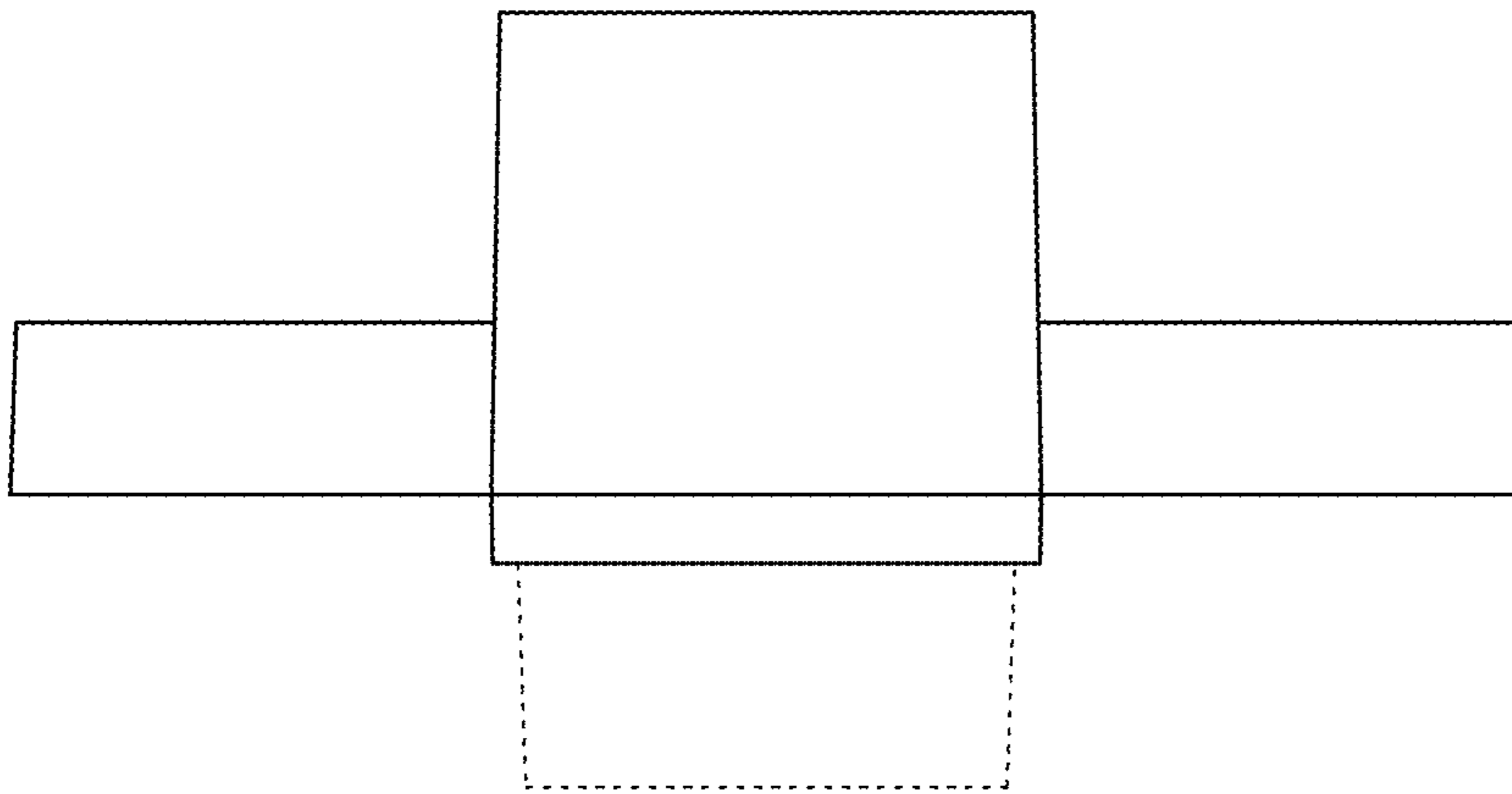


FIG. 6

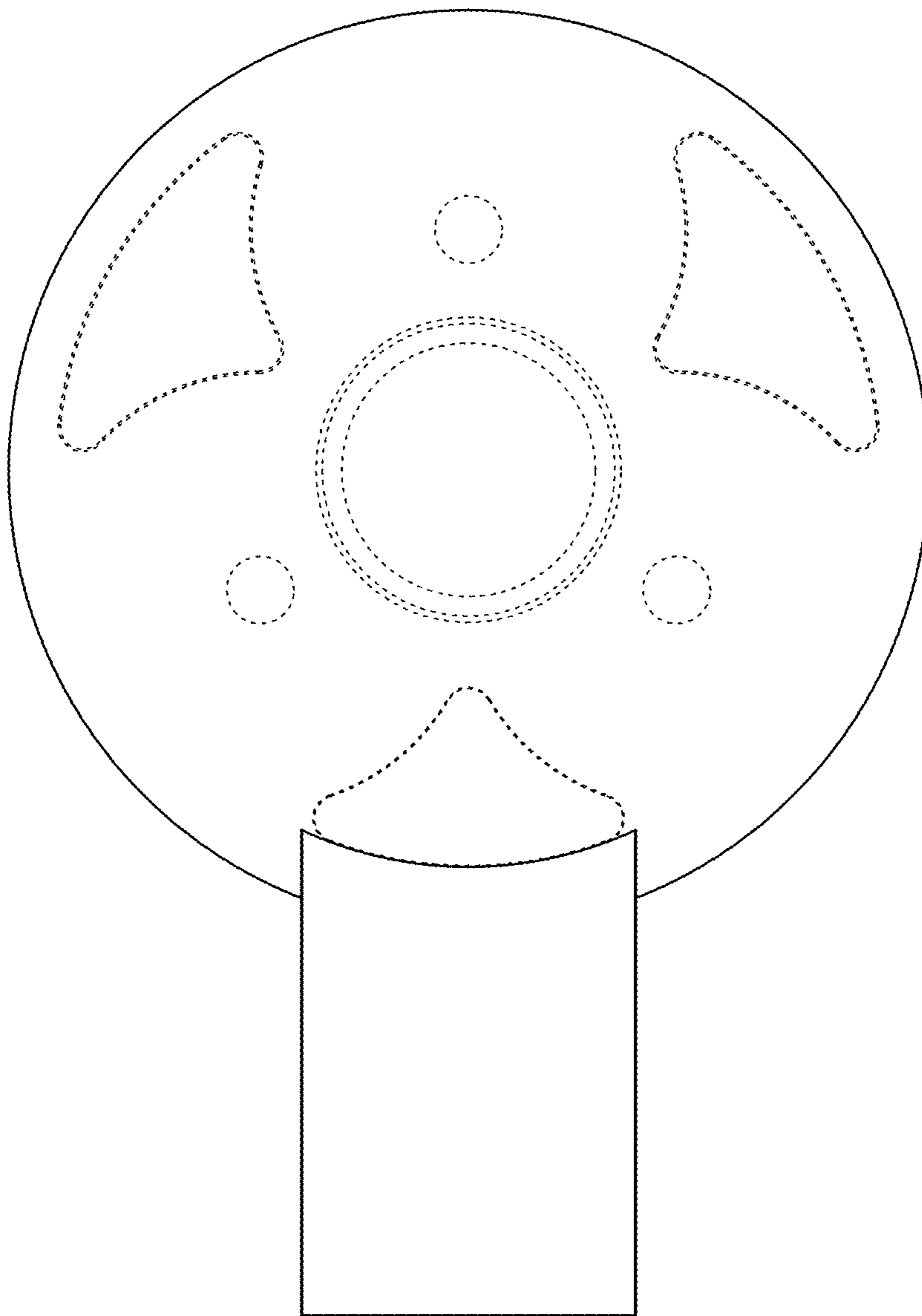


FIG. 7