



US00D877736S

(12) **United States Design Patent**
Ouyang

(10) **Patent No.:** **US D877,736 S**
(45) **Date of Patent:** **** Mar. 10, 2020**

- (54) **WIRELESS BROADCASTER**
- (71) Applicant: **Shenzhen Feasycom Technology Co., Ltd.**, Shenzhen, Guangdong (CN)
- (72) Inventor: **Nan Ouyang**, Guangdong (CN)
- (73) Assignee: **Shenzhen Feasycom Technology Co., Ltd.**, Shenzhen (CN)

- D275,081 S * 8/1984 Mermelstein D10/9
- D277,160 S * 1/1985 Antone D8/40
- D306,073 S * 2/1990 Klitsner D21/468
- D348,225 S * 6/1994 Stott D10/52
- D381,444 S * 7/1997 Yuen D22/123
- D402,208 S * 12/1998 Jones D10/106.1
- D407,985 S * 4/1999 Pimentel D10/104.2
- D423,389 S * 4/2000 Boyd D10/104.2
- D423,972 S * 5/2000 Hampf D10/106.1

(Continued)

- (**) Term: **15 Years**
- (21) Appl. No.: **29/656,342**

(22) Filed: **Jul. 11, 2018**

(30) **Foreign Application Priority Data**

May 22, 2018 (CN) 2018 3 0238417

(51) **LOC (12) Cl.** **14-02**

(52) **U.S. Cl.**
USPC **D14/358**; D14/155; D14/240

(58) **Field of Classification Search**
USPC D14/155, 188, 230-238, 240, 125,
D14/356-358, 496, 299, 403, 480.2, 508,
D14/143, 189, 203.2, 207, 432, 433;
D13/105; D10/104.1, 104.2, 114.2, 70,
D10/46, 106.6; D11/44, 63, 67, 115, 139
CPC H04W 88/00; H04W 88/02; H04W 88/08;
H04W 88/085; H04W 88/18; H04W
88/16
See application file for complete search history.

(56) **References Cited**

U.S. PATENT DOCUMENTS

- D78,591 S * 5/1929 Sierad D9/622
- D87,387 S * 7/1932 Eighmey D14/155
- D220,355 S * 3/1971 Judson D10/9
- D226,972 S * 5/1973 Schwartz D26/26
- D231,253 S * 4/1974 Klassen D26/26
- D235,576 S * 6/1975 Fink D14/168
- D263,226 S * 3/1982 Rehnmark D14/232
- D271,817 S * 12/1983 Collin D32/40

OTHER PUBLICATIONS

FEASYCOM 500m Long Range Bluetooth Low Energy Waterproof iBeacon Eddystone Beacon AltBeacon. [online] 7 pgs. First Listed Sep. 1, 2017 [Retrieved on Aug. 27, 2019] <https://www.amazon.com/FEASYCOM-Bluetooth-Waterproof-Eddystone-AltBeacon/dp/B07JMPN58T>.*

Primary Examiner — Marie D. Fast Horse

(74) *Attorney, Agent, or Firm* — JCIP Global Inc.

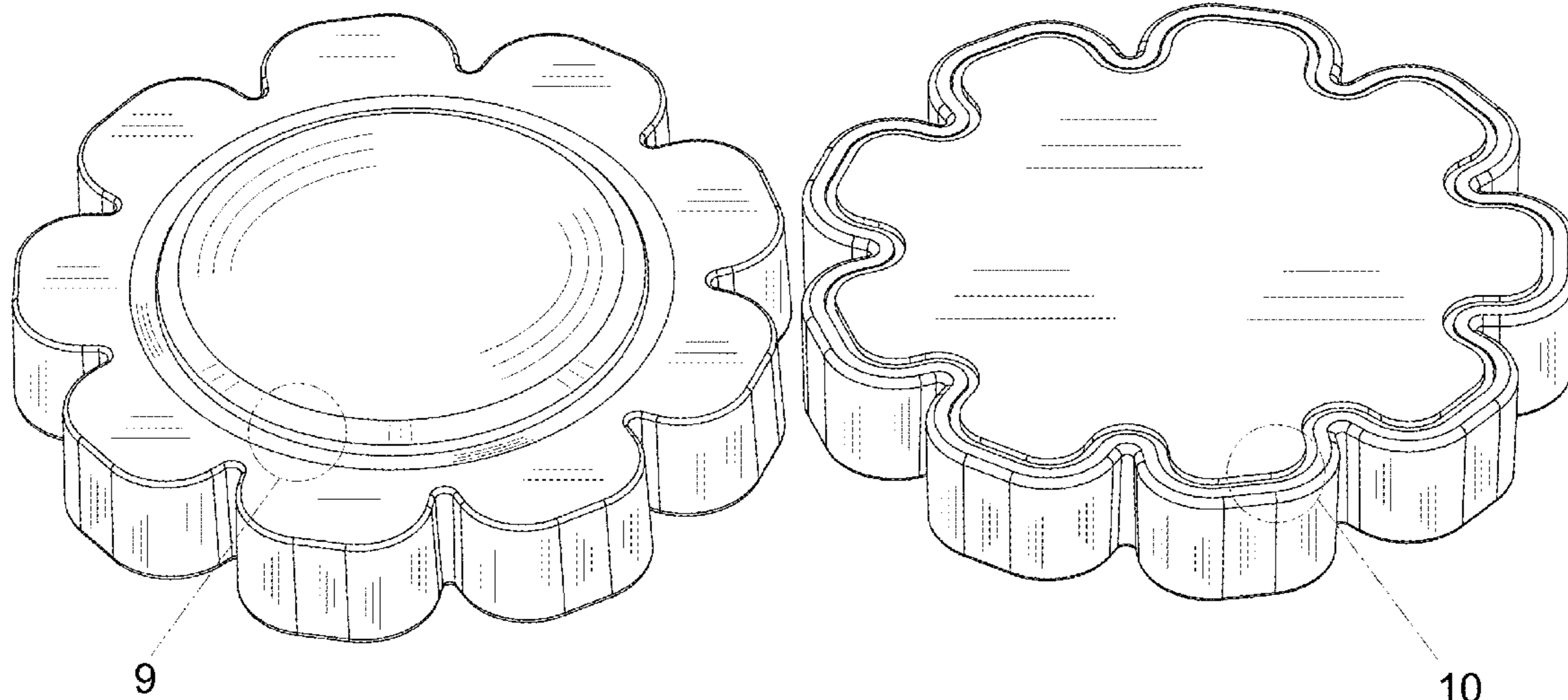
(57) **CLAIM**

The ornamental design for a wireless broadcaster, as shown and described.

DESCRIPTION

FIG. 1 is a front perspective view of a wireless broadcaster showing my new design;
FIG. 2 is a rear perspective view thereof;
FIG. 3 is a front elevational view thereof;
FIG. 4 is a rear elevational view thereof;
FIG. 5 is a left side view thereof;
FIG. 6 is a right side view thereof;
FIG. 7 is a top plan view thereof;
FIG. 8 is a bottom plan view thereof;
FIG. 9 is an enlarged view of portion 9 in FIG. 1; and,
FIG. 10 is an enlarged view of portion 10 in FIG. 2.
The broken lines encircling the enlarged portion of the claimed design seen in FIGS. 9 and 10 and the reference to the enlargements seen in FIGS. 1 and 2 form no part of the claimed design.

1 Claim, 10 Drawing Sheets



(56)

References Cited

U.S. PATENT DOCUMENTS

D466,718 S * 12/2002 Abeyta, Jr. D6/407
 D478,057 S * 8/2003 Cohen D14/155
 D480,712 S * 10/2003 Noro D14/230
 D484,747 S * 1/2004 McMahon, III D7/387
 D492,581 S * 7/2004 Fahy D8/378
 D507,360 S * 7/2005 Yuen D26/26
 D551,785 S * 9/2007 Montgomery D26/26
 D554,617 S * 11/2007 Solland D14/207
 D579,911 S * 11/2008 Wei D14/155
 D597,648 S * 8/2009 Heflin, III D23/367
 D598,890 S * 8/2009 Lee D14/155
 D607,819 S * 1/2010 Seil D13/133
 D629,002 S * 12/2010 Bau D14/433
 D637,186 S * 5/2011 David D14/231
 D656,424 S * 3/2012 Bentley D10/70
 D681,308 S * 5/2013 Firsing-Paris D1/105
 D683,251 S * 5/2013 Dumas D10/104.2
 D694,652 S * 12/2013 Tompkin D10/9
 D695,258 S * 12/2013 Hauser D14/155
 D707,417 S * 6/2014 Pearson D1/115
 D723,566 S * 3/2015 Ferguson D14/435.1
 D729,214 S * 5/2015 Beaudoin D14/233
 D731,597 S * 6/2015 Jensen D21/493
 D742,268 S * 11/2015 Kalinowski D10/114.2
 D747,992 S * 1/2016 Kalinowski D10/114.2
 D749,589 S * 2/2016 Ferguson D14/435.1

D751,538 S * 3/2016 Koehler D14/240
 D775,988 S * 1/2017 Loew D10/104.1
 D778,888 S * 2/2017 Geiger D14/240
 D780,183 S * 2/2017 Ferguson D14/435.1
 D780,434 S * 3/2017 Daniels D2/976
 D782,415 S * 3/2017 Zhang D13/108
 D783,573 S * 4/2017 Liu D14/207
 D784,307 S * 4/2017 Yoon D14/240
 D786,200 S * 5/2017 Lagerstedt D13/168
 D786,724 S * 5/2017 Seagle, Jr. D10/106.1
 D791,768 S * 7/2017 Billard D14/358
 D807,610 S * 1/2018 Gross D1/115
 D808,389 S * 1/2018 Judge D14/358
 D814,463 S * 4/2018 Haigh D14/358
 D818,854 S * 5/2018 Kachar D10/70
 D823,143 S * 7/2018 Kareco D10/46
 D825,539 S * 8/2018 Lu D14/240
 D830,327 S * 10/2018 Jones D14/155
 D832,827 S * 11/2018 Yang D14/232
 D834,978 S * 12/2018 Kristensson D10/104.1
 D836,474 S * 12/2018 Cannell D10/104.1
 D843,255 S * 3/2019 Gunn D10/121
 D843,356 S * 3/2019 Stevenson D14/230
 D848,060 S * 5/2019 Ludert D28/7
 D852,190 S * 6/2019 Haigh D14/358
 D854,010 S * 7/2019 Deng D14/358
 D857,013 S * 8/2019 Dabrowska D14/358
 2016/0006123 A1 * 1/2016 Li H01Q 7/00
 343/867

* cited by examiner

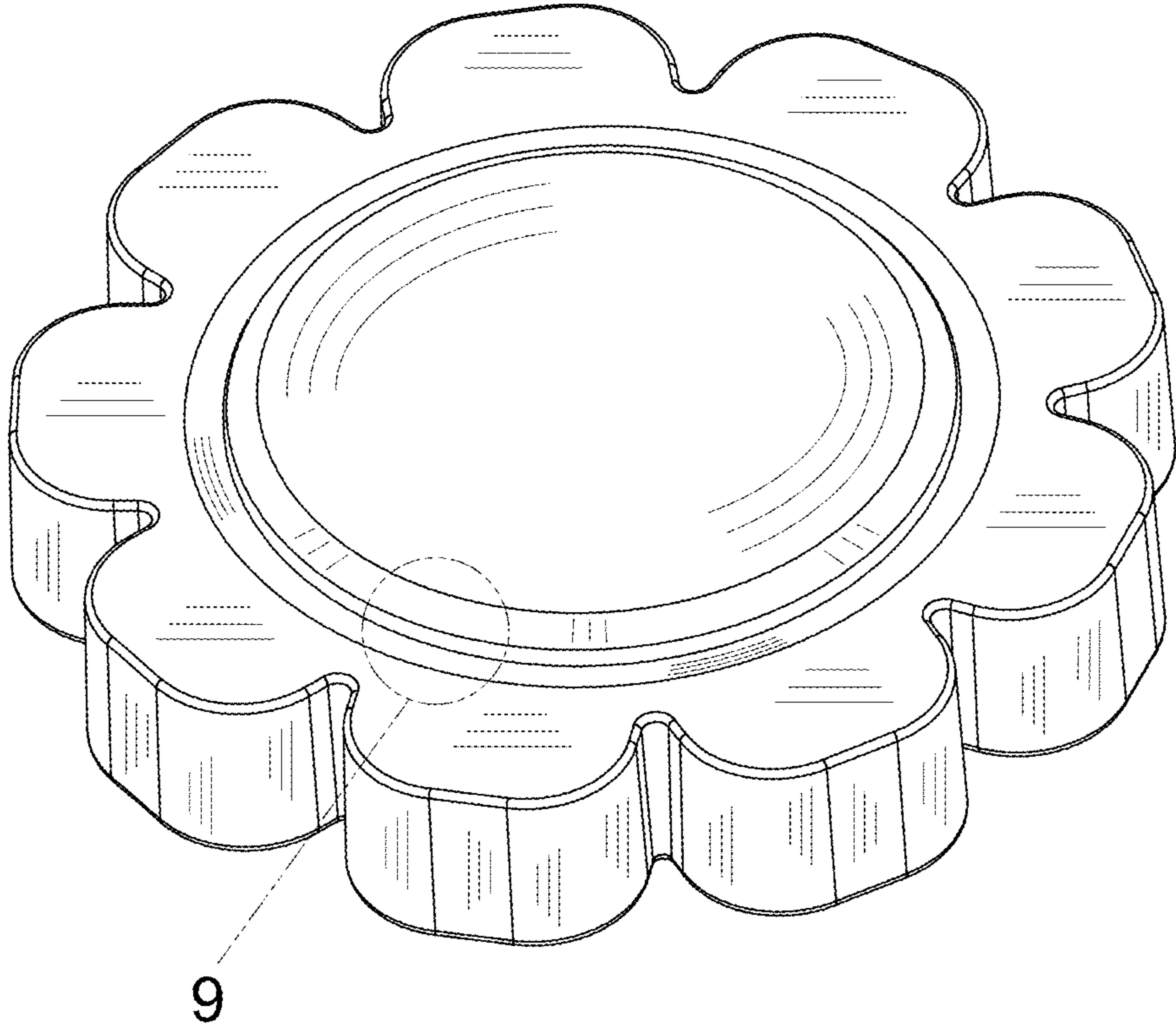


FIG.1

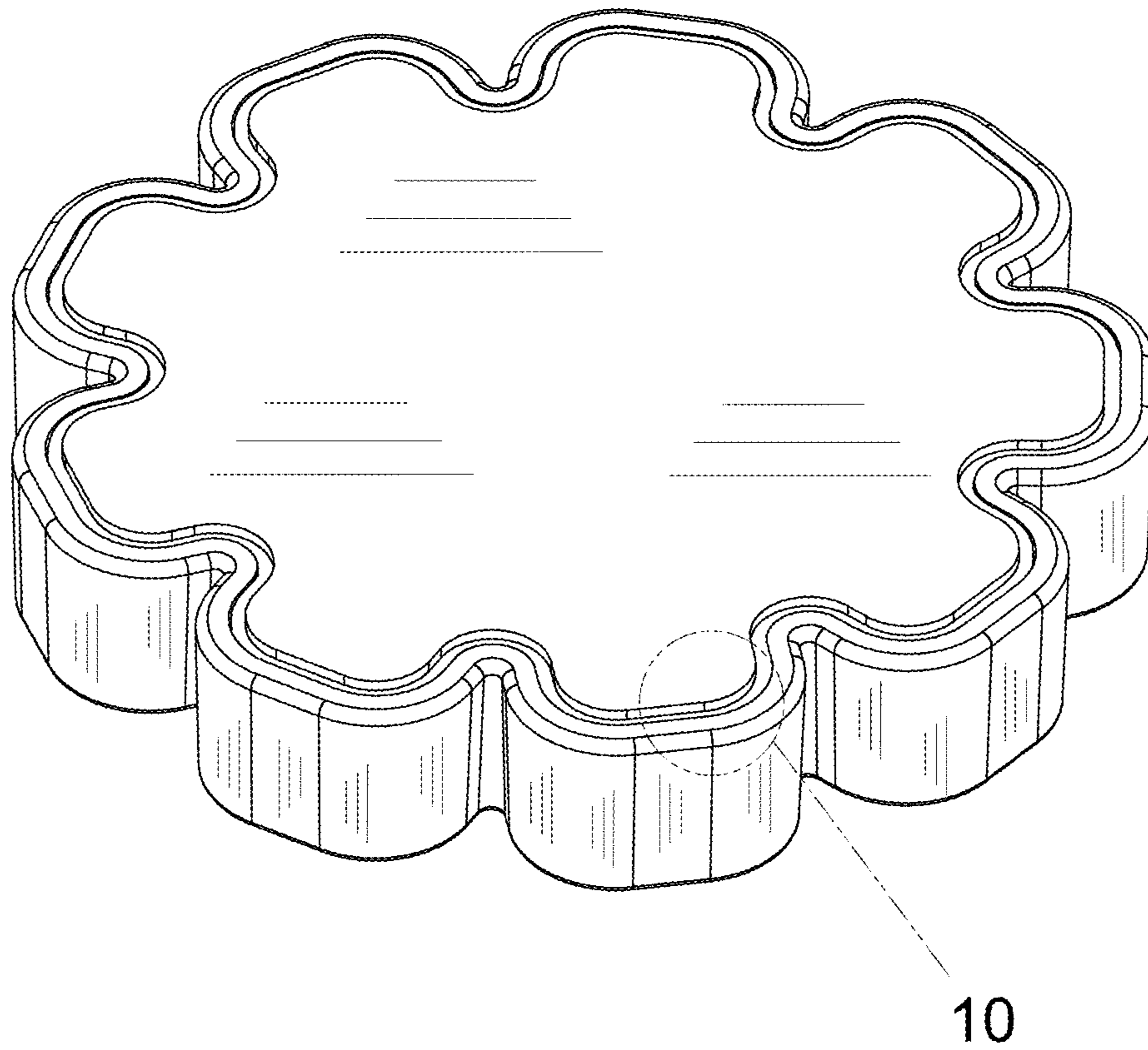


FIG.2

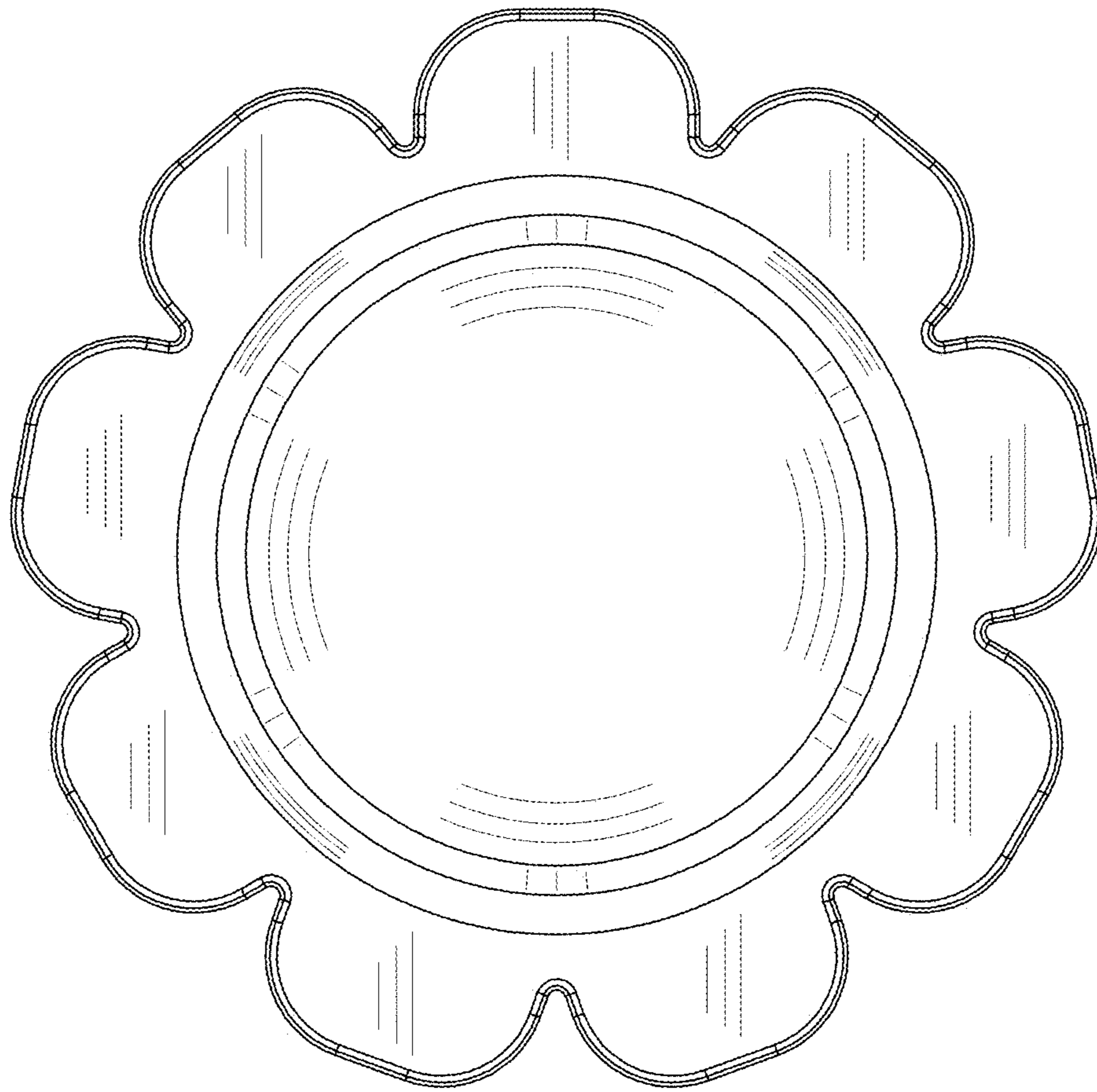


FIG.3

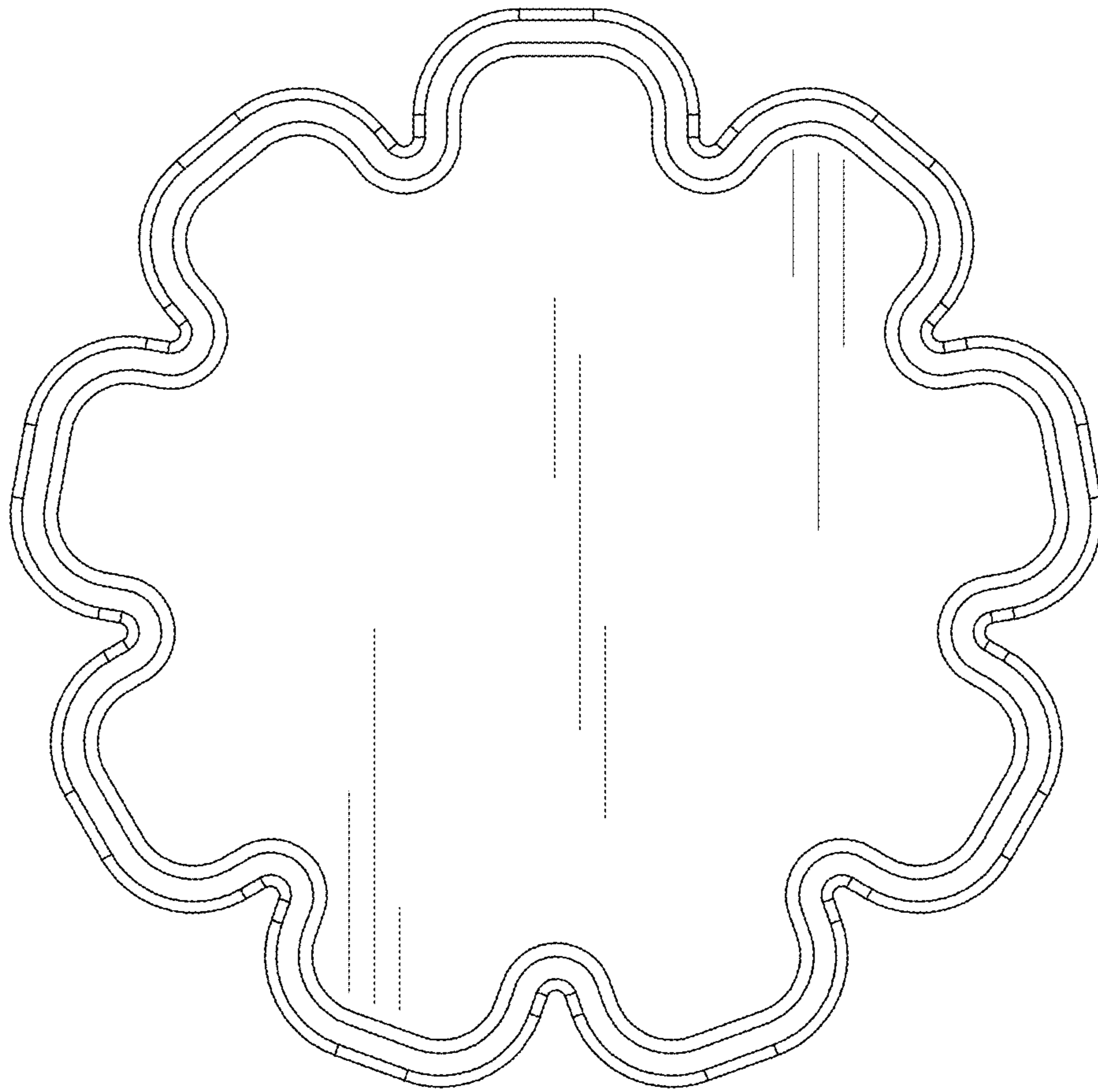


FIG.4

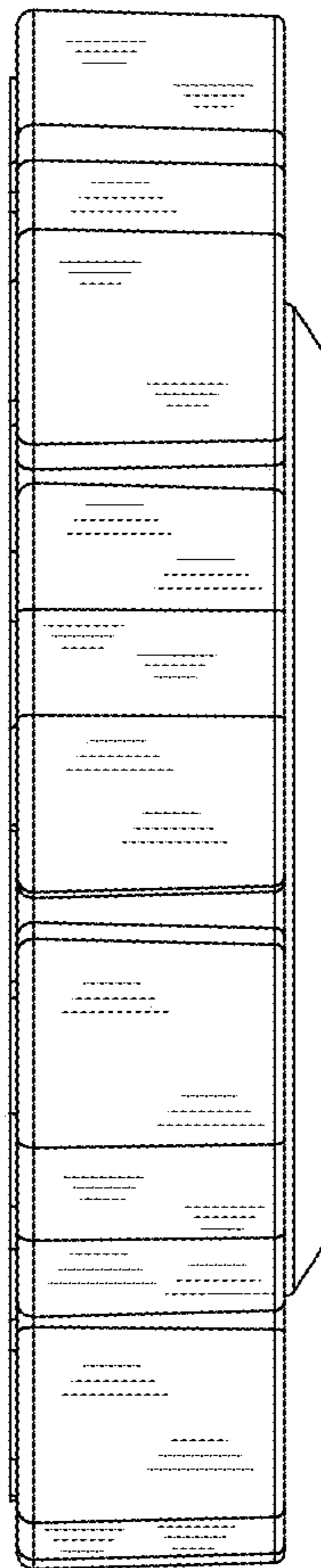


FIG.5

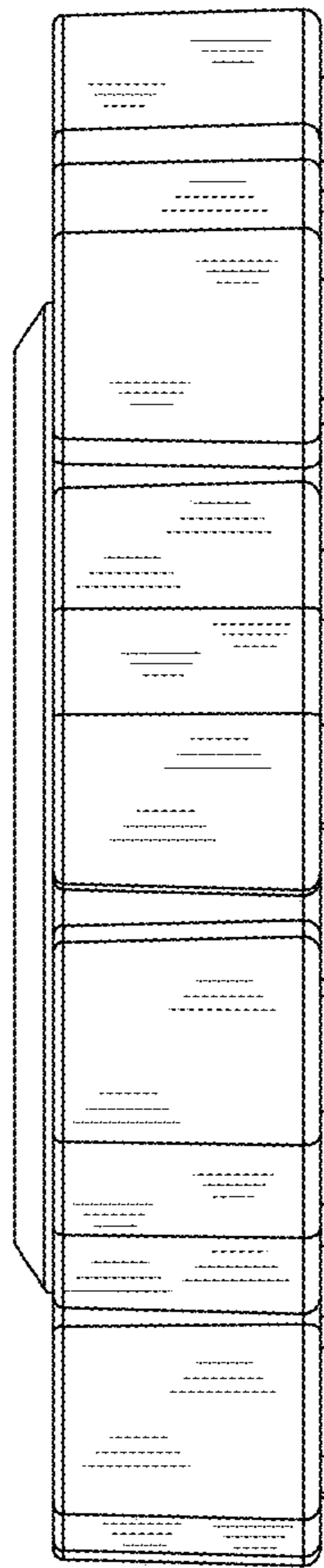


FIG.6

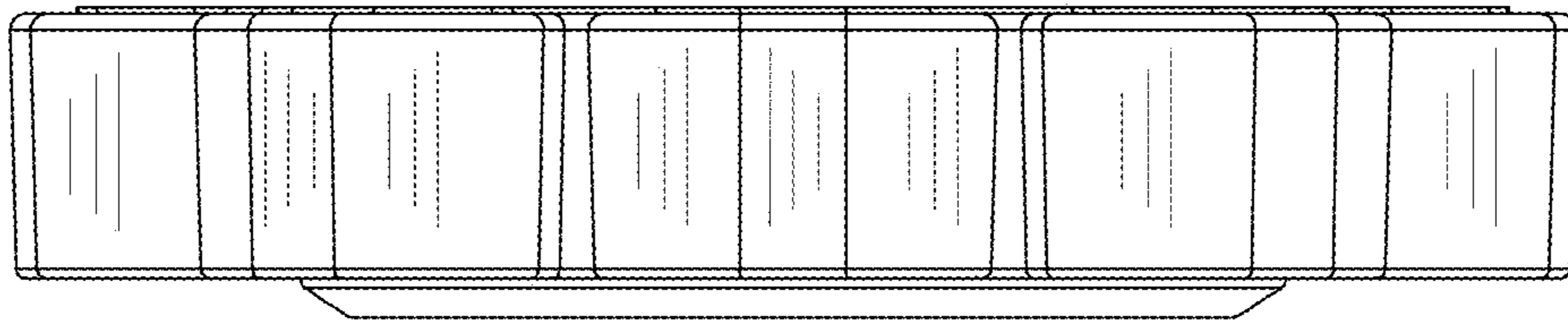


FIG.7

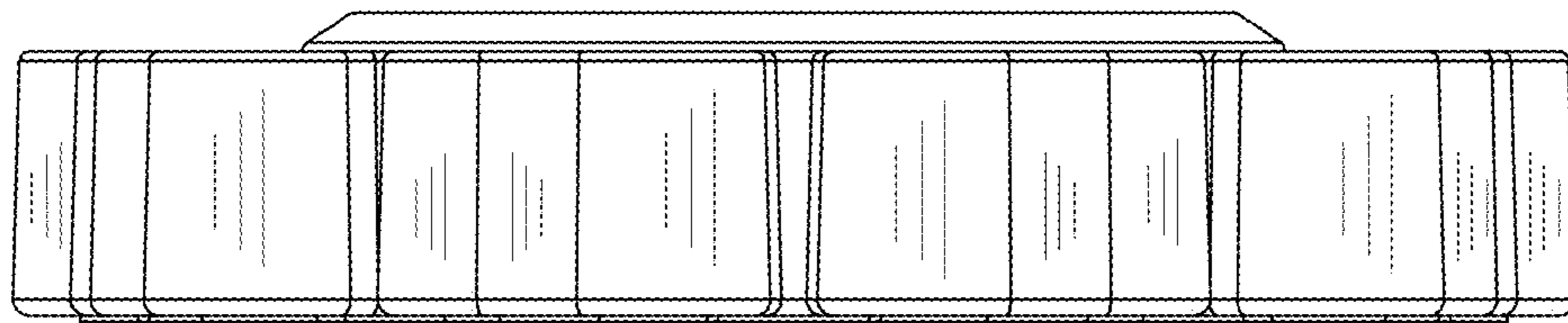


FIG.8

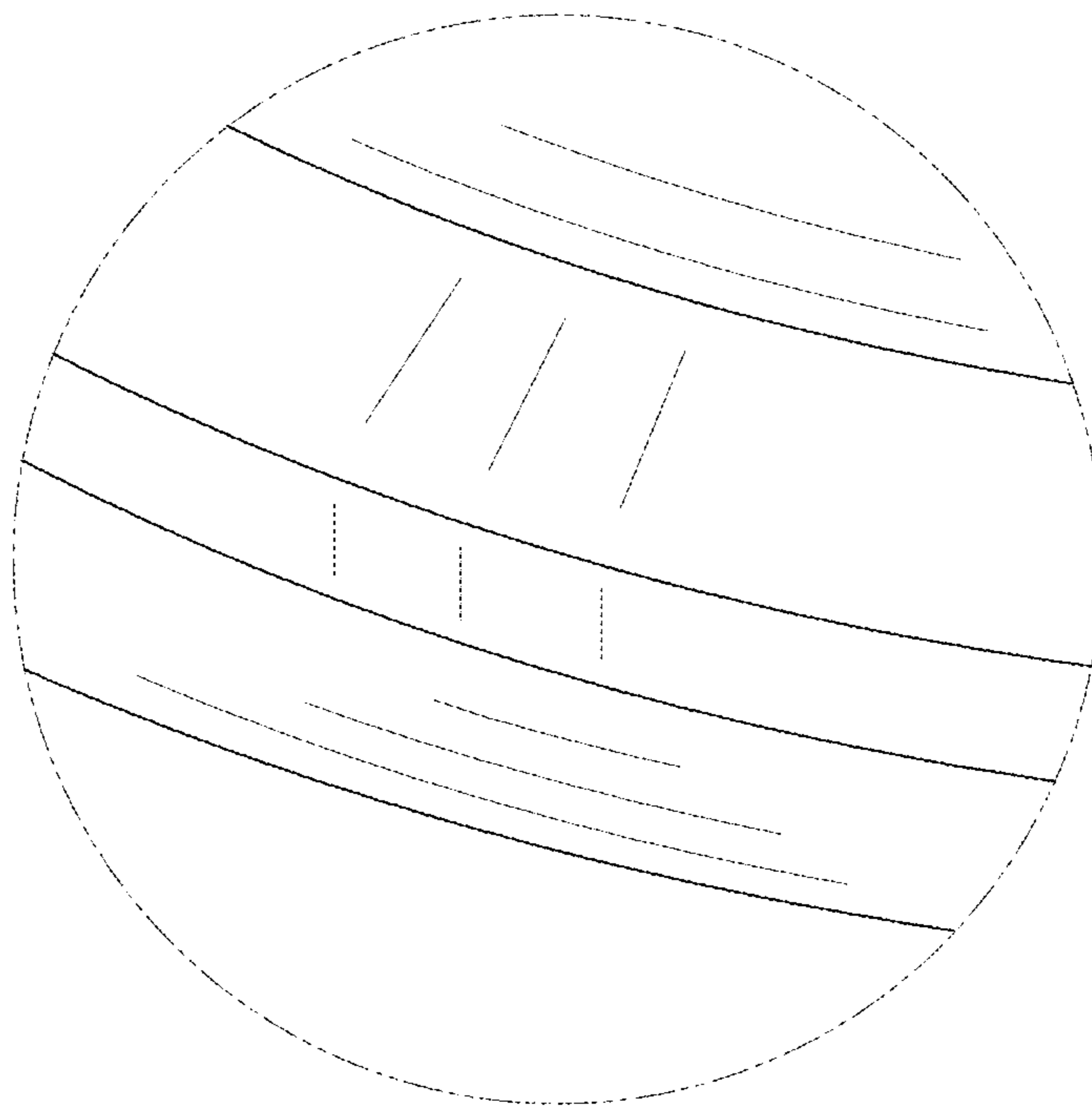


FIG.9

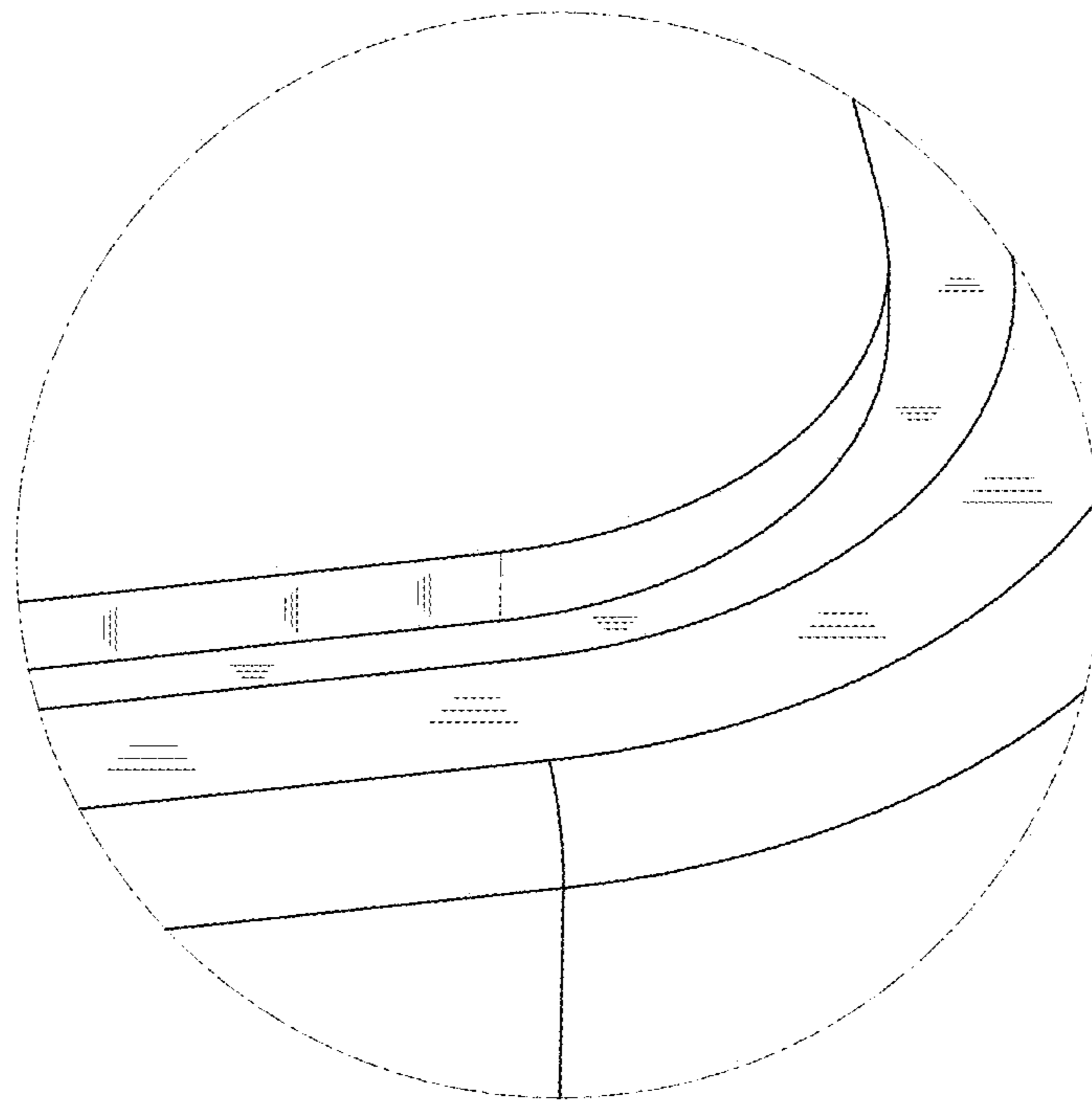


FIG. 10