



US00D877732S

(12) **United States Design Patent** (10) **Patent No.:** **US D877,732 S**
Brazeau et al. (45) **Date of Patent:** **** Mar. 10, 2020**

(54) **POTTING CUP**

FOREIGN PATENT DOCUMENTS

(71) Applicant: **Sensus Spectrum, LLC**, Morrisville, NC (US)

EP 1 314 169 A1 5/2003
WO WO 02/09124 A1 1/2002

(72) Inventors: **Michael David Brazeau**, Raleigh, NC (US); **Benjamin John Sokol**, Carrboro, NC (US)

OTHER PUBLICATIONS

Notification of Transmittal of the International Search Report and the Written Opinion of the International Searching Authority, or the Declaration.

(73) Assignee: **Sensus Spectrum, LLC**, Morrisville, NC (US)

* cited by examiner

(**) Term: **15 Years**

Primary Examiner — Karen S Acker
Assistant Examiner — Steven B Reinholdt, Jr.

(21) Appl. No.: **29/649,566**

(74) *Attorney, Agent, or Firm* — Stanek Lemon Crouse & Meeks, PA

(22) Filed: **May 31, 2018**

(57) **CLAIM**

(51) **LOC (12) Cl.** **14-99**

The ornamental design for a potting cup as shown and described.

(52) **U.S. Cl.**

USPC **D14/299**

DESCRIPTION

(58) **Field of Classification Search**

USPC D13/118, 184, 129, 199; D6/610; D14/222

CPC H01L 23/42; Y02T 90/12

See application file for complete search history.

FIG. 1 is a top perspective view of a potting cup showing my design;

FIG. 2 is a bottom perspective view thereof;

FIG. 3 is a first side view thereof;

FIG. 4 is second side view thereof, opposite that shown in FIG. 3;

FIG. 5 is another side view thereof, 90 degrees offset from that shown in FIG. 3;

FIG. 6 is another side view thereof, opposite that shown in FIG. 5;

FIG. 7 is a top view of the potting cup;

FIG. 8 is a bottom view thereof; and,

FIG. 9 is top perspective view illustrating the potting cup of FIG. 1 positioned on a printed circuit board to show the article in a use configuration.

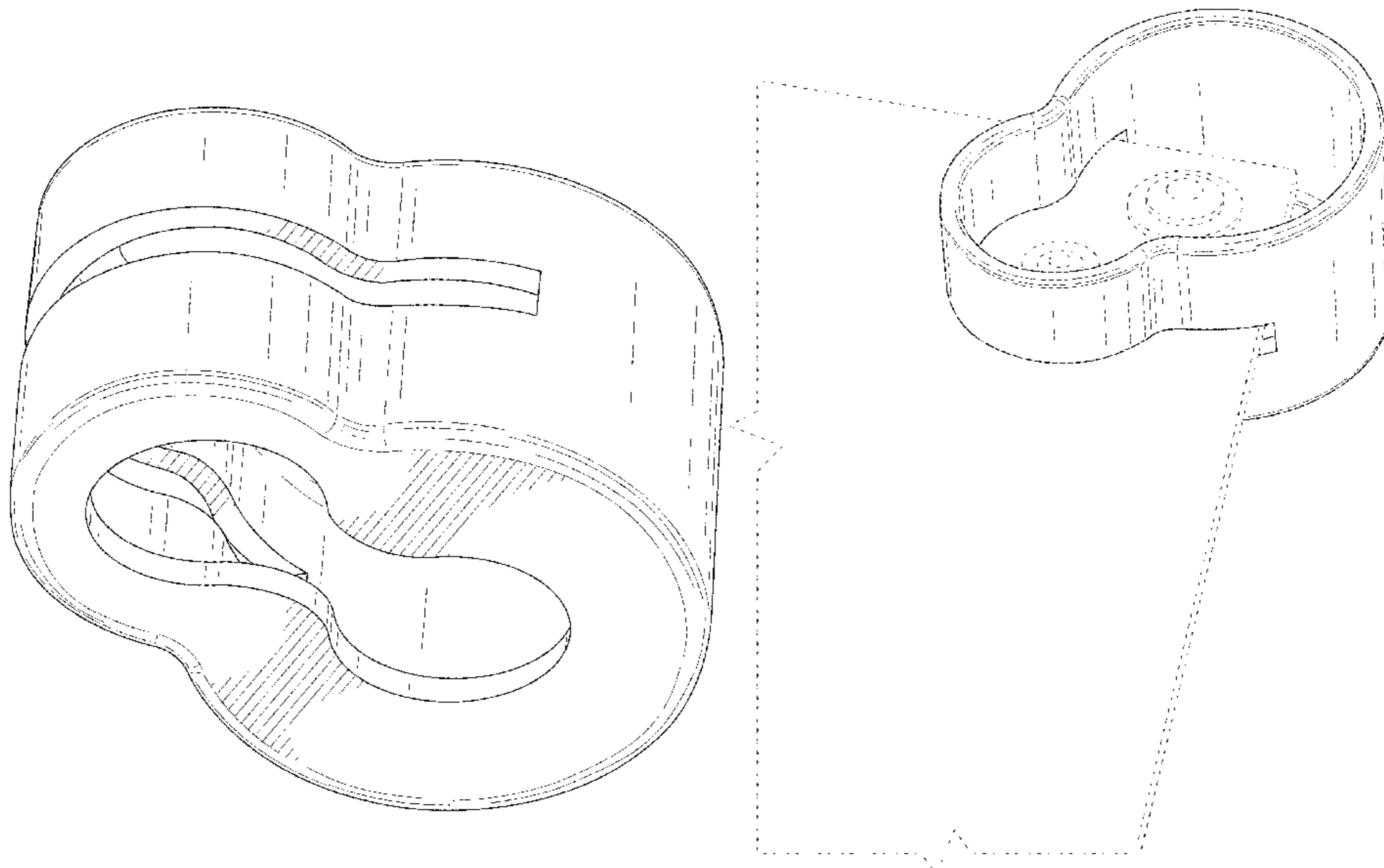
The broken lines shown in FIG. 9 depict environment that forms no part of the claimed design.

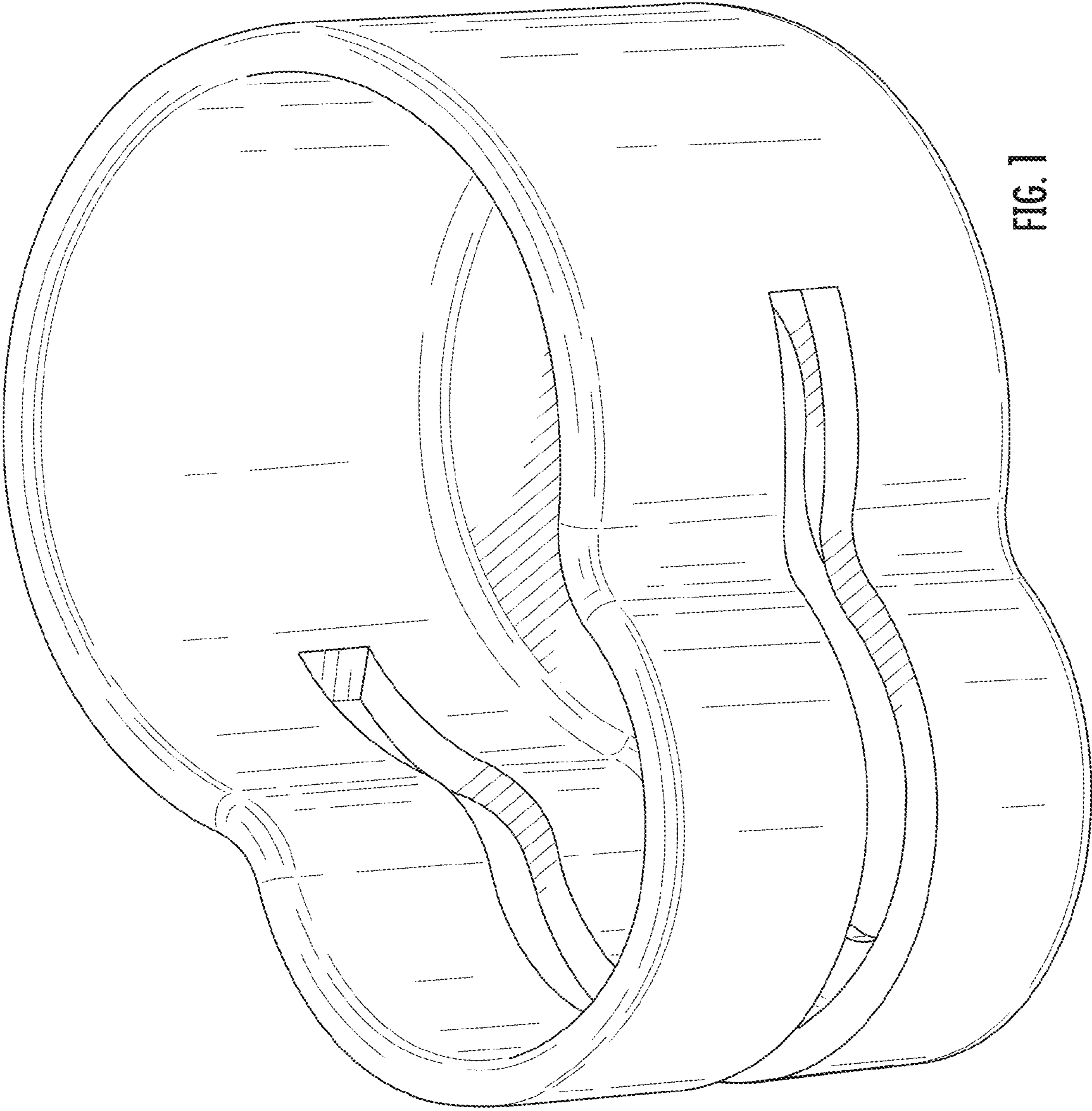
(56) **References Cited**

U.S. PATENT DOCUMENTS

D314,371 S *	2/1991	Matsui	D13/156
D315,334 S *	3/1991	Fujioka	D13/156
5,278,426 A	1/1994	Barbier		
D401,590 S *	11/1998	Tajima	D14/222
D519,470 S *	4/2006	Hahn	D13/184
D768,097 S *	10/2016	Powers	D13/199
D790,492 S *	6/2017	Chaivoraporn	D13/184
D839,827 S *	2/2019	Stoner	D13/129
2008/0165511 A1	7/2008	Mayuzumi et al.		
2012/0219257 A1	8/2012	Meadowcroft et al.		
2014/0160363 A1	6/2014	Mutschelknaus		
2014/0160699 A1	6/2014	Zhang et al.		

1 Claim, 9 Drawing Sheets





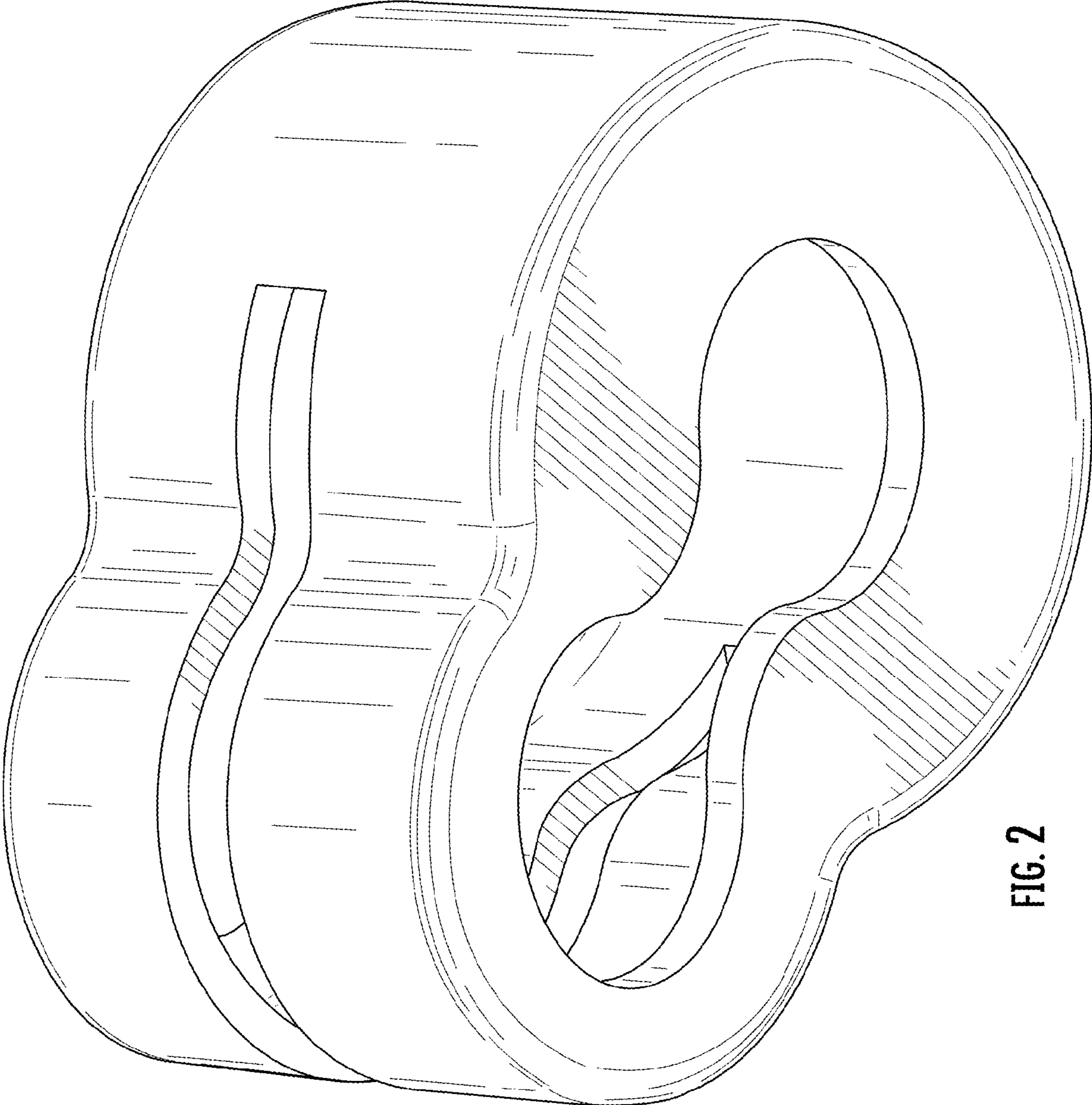


FIG. 2

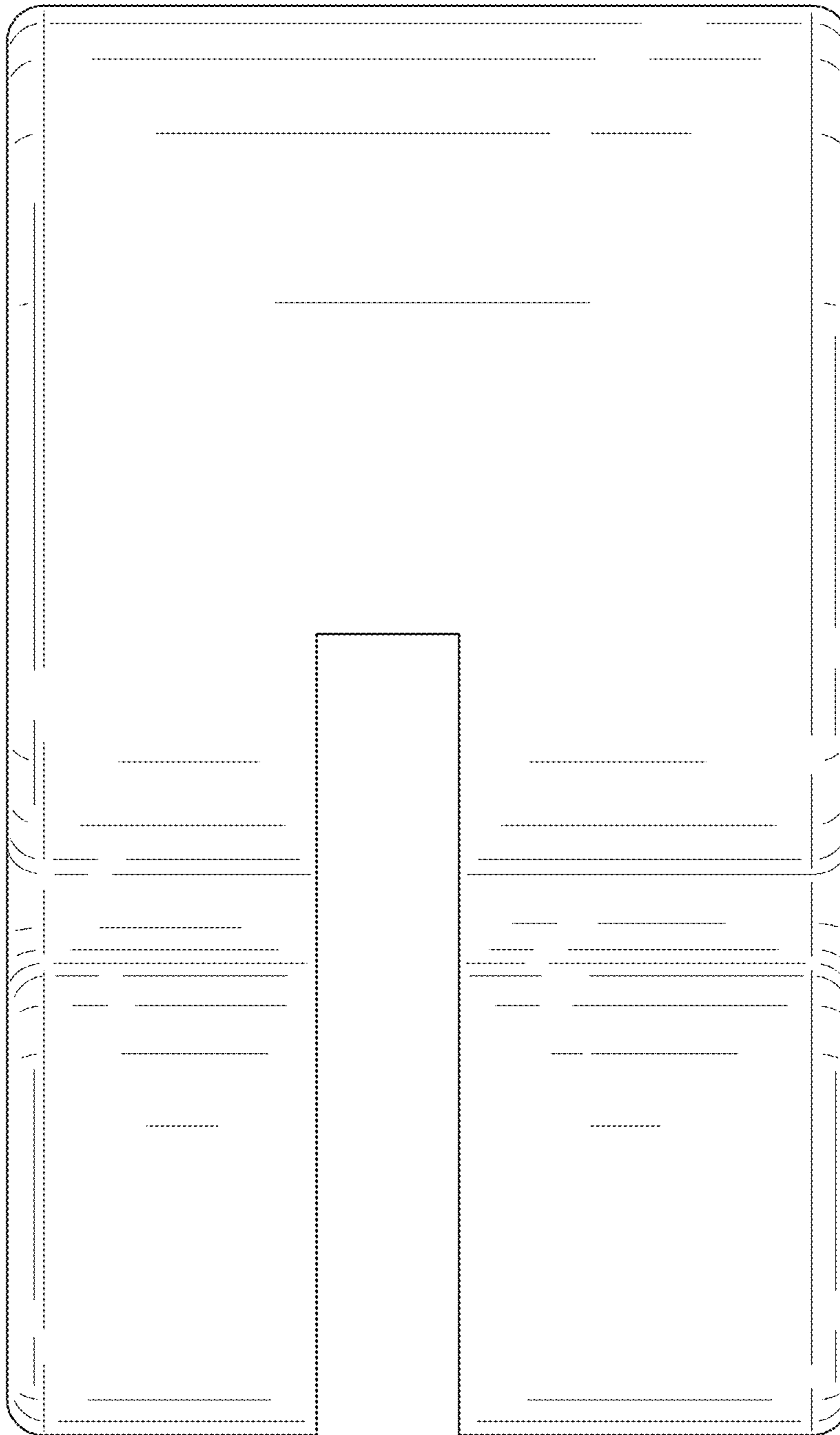


FIG. 3

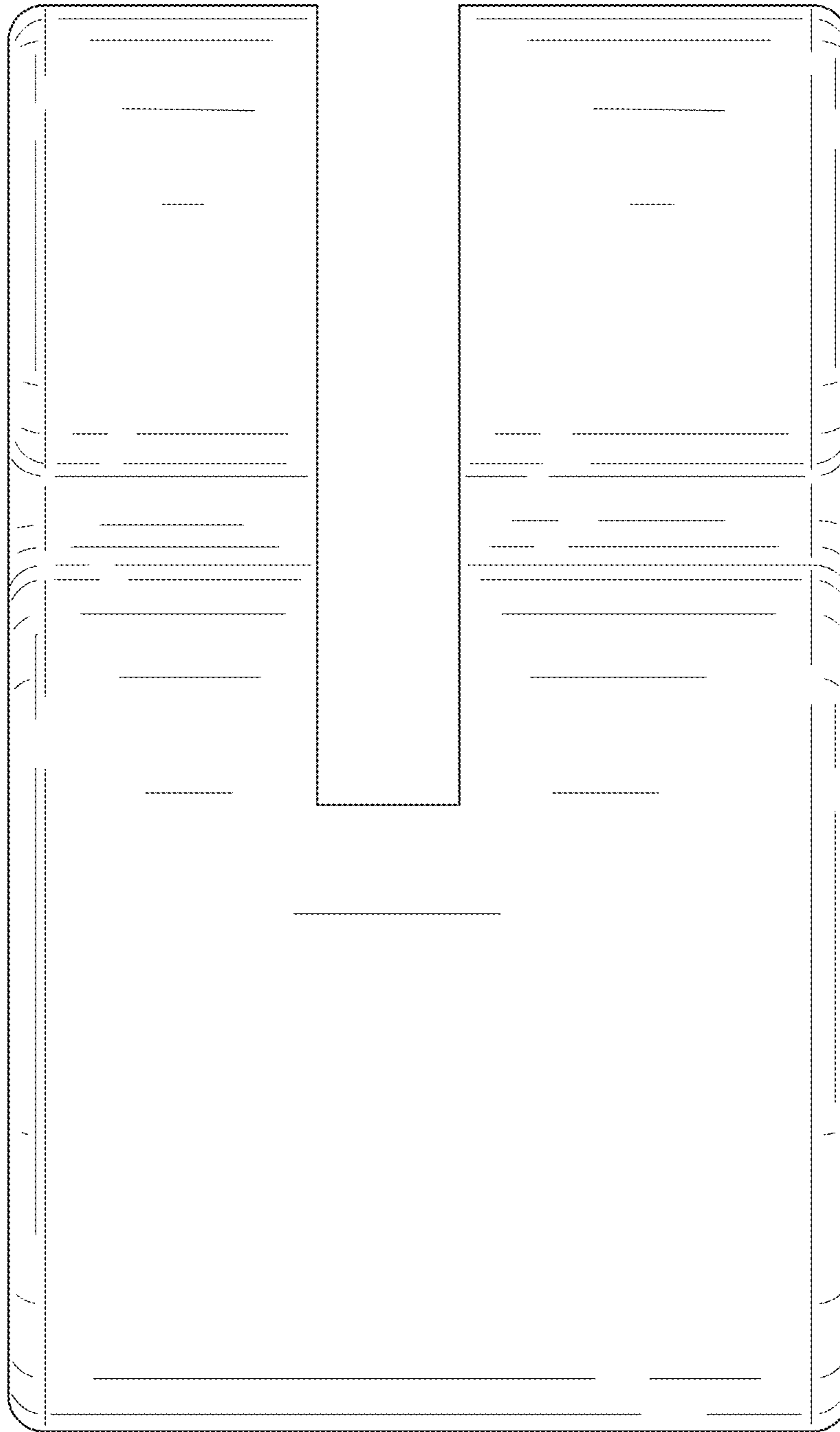


FIG. 4

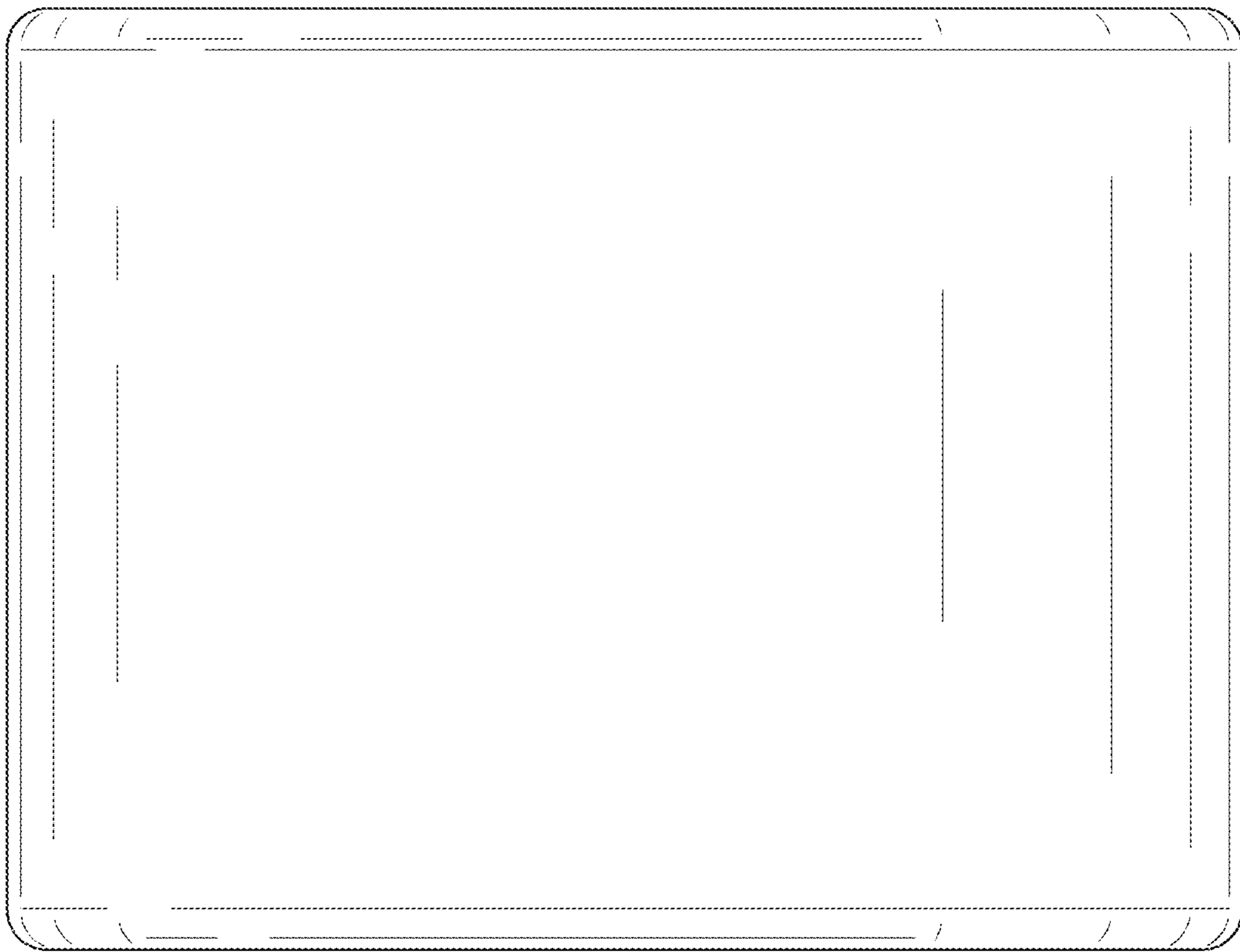


FIG. 5

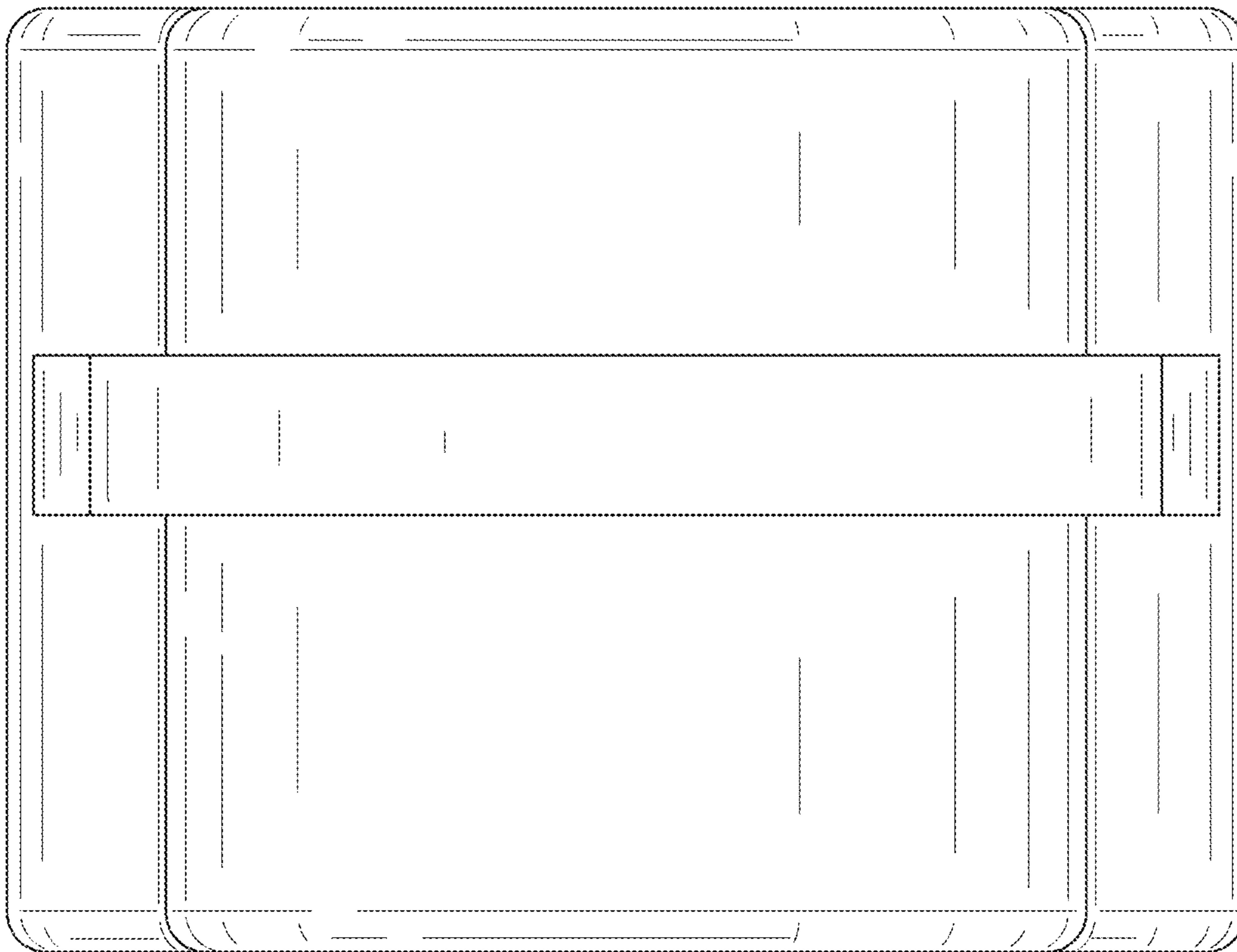


FIG. 6

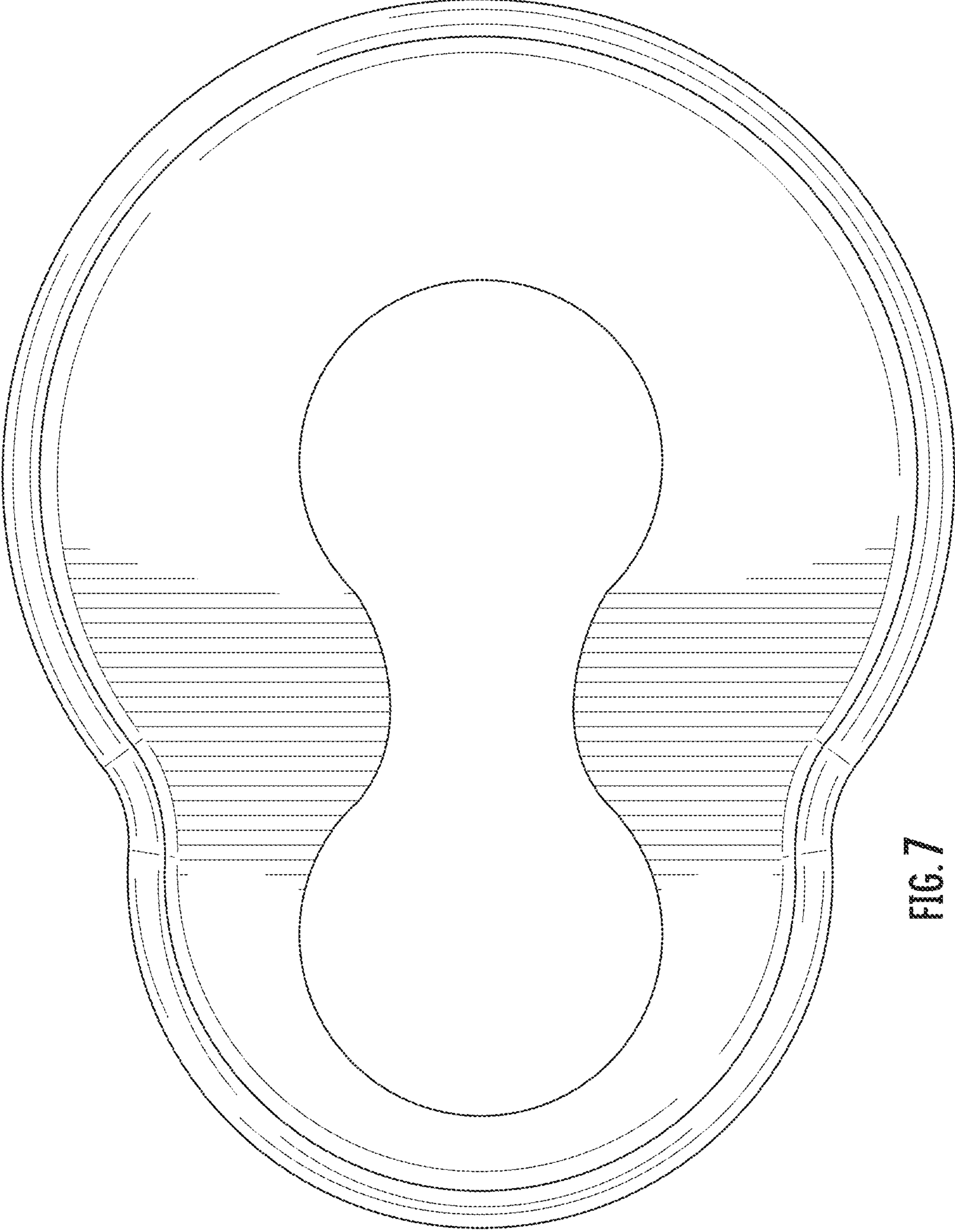


FIG. 7

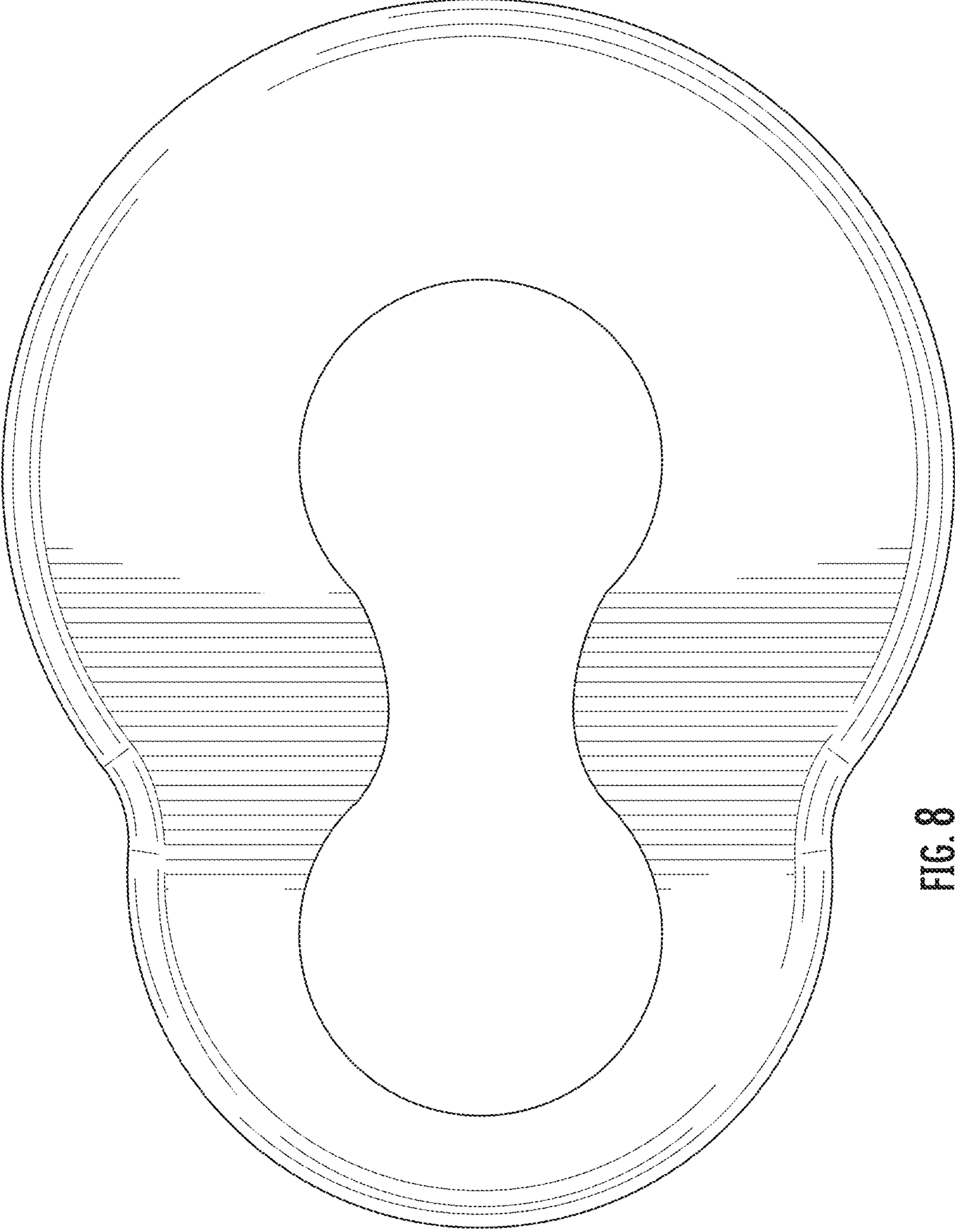


FIG. 8

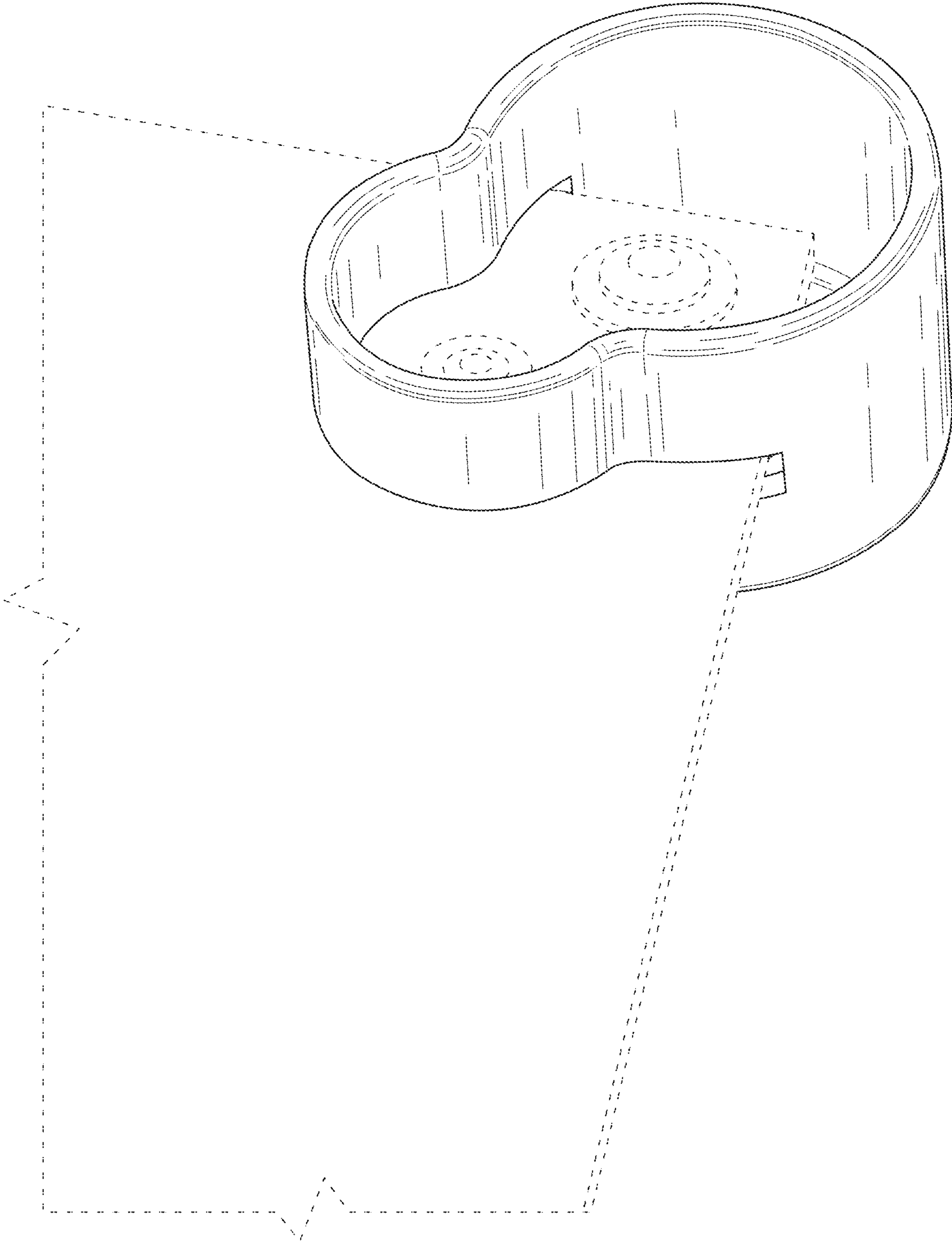


FIG. 9