



US00D877731S

(12) **United States Design Patent**
Kim

(10) **Patent No.:** **US D877,731 S**
(45) **Date of Patent:** **** Mar. 10, 2020**

(54) **CASE FOR SMART PHONE**

(71) Applicant: **SPIGEN KOREA CO., LTD.**, Seoul (KR)

(72) Inventor: **Seung Joo Kim**, Seoul (KR)

(73) Assignee: **Spigen Korea CO., LTD.**, Seoul (KR)

(**) Term: **15 Years**

(21) Appl. No.: **29/663,305**

(22) Filed: **Sep. 13, 2018**

(51) **LOC (12) Cl.** **14-03**

(52) **U.S. Cl.**
USPC **D14/250**

(58) **Field of Classification Search**
USPC D3/201, 218, 226, 227, 247, 249, 250,
D3/269, 303; D13/103, 107, 108, 119;
(Continued)

(56) **References Cited**

U.S. PATENT DOCUMENTS

D515,809 S 2/2006 Perella
D574,819 S 8/2008 Andre et al.
(Continued)

OTHER PUBLICATIONS

Spigen, "Installation video of SGP Neo Hybrid Case", <https://www.youtube.com/watch?v=mVASro4MsEg>, Published on Oct. 30, 2009, Downloaded on Feb. 21, 2019.

(Continued)

Primary Examiner — Susan E Krakower

Assistant Examiner — L. A. Grabenstetter

(74) *Attorney, Agent, or Firm* — Heedong Chae; Lucem, PC

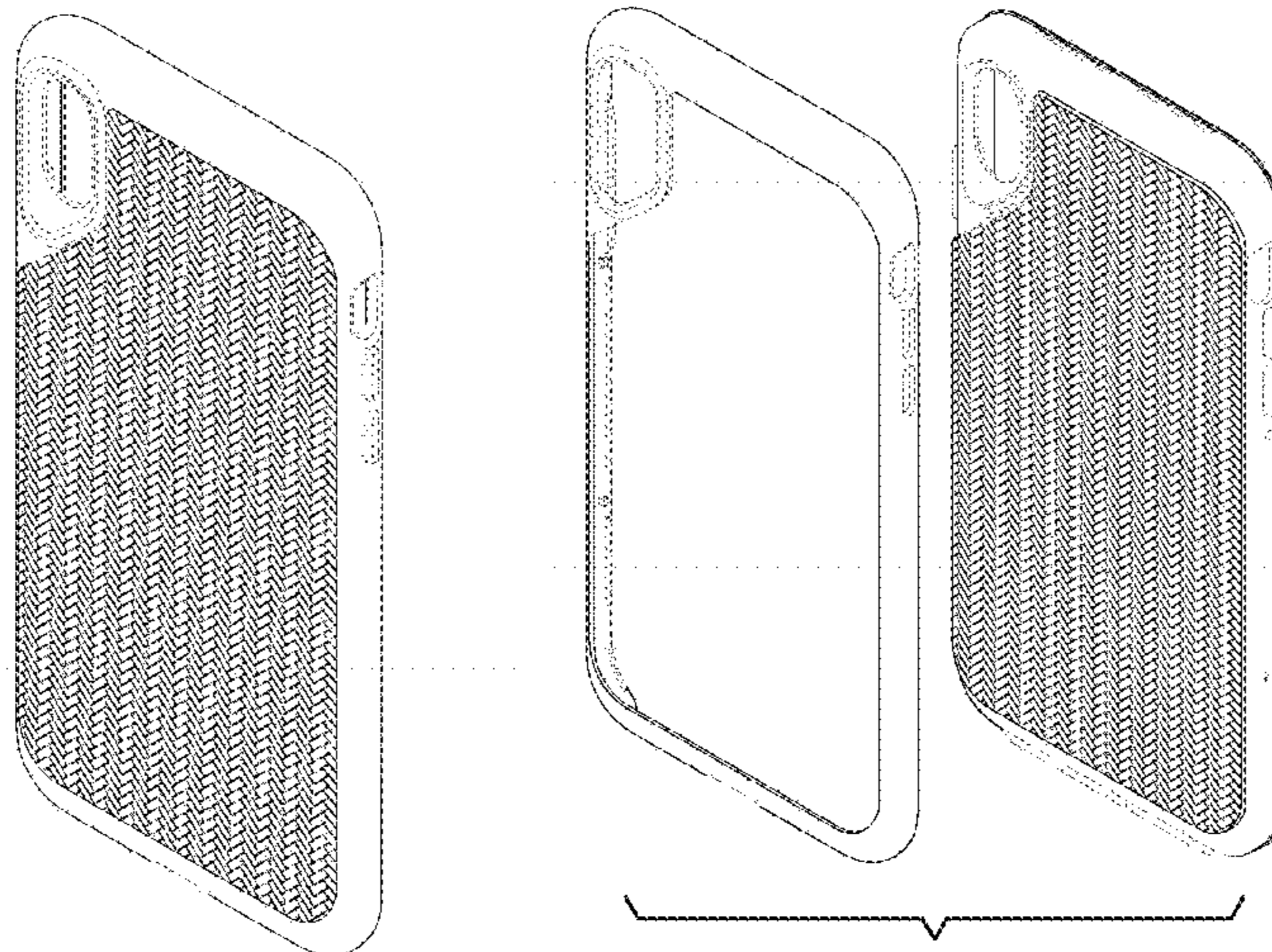
(57) **CLAIM**

The ornamental design for a case for smart phone, as shown and described.

DESCRIPTION

FIG. 1 is a front perspective view of a case for smart phone showing my new design;
FIG. 2 is a rear perspective view thereof;
FIG. 3 is a front elevational view thereof;
FIG. 4 is a rear elevational view thereof;
FIG. 5 is a left side elevational view thereof;
FIG. 6 is a right side elevational view thereof;
FIG. 7 is a top plan view thereof;
FIG. 8 is a bottom plan view thereof;
FIG. 9 is a front perspective view showing the inner shell component of the case shown separated for clarity of disclosure;
FIG. 10 is a rear perspective view showing the inner shell component of the case shown separated for clarity of disclosure;
FIG. 11 is a front perspective view showing the outer frame component of the case shown separated for clarity of disclosure;
FIG. 12 is a rear perspective view showing the outer frame component of the case shown separated for clarity of disclosure;
FIG. 13 is an exploded front perspective view showing the components of the case separated for clarity of disclosure; and,
FIG. 14 is an exploded rear perspective view showing the components of the case separated for clarity of disclosure. Although the case for smart phone in which the claimed design is embodied consists of an inner shell and an outer frame, the claim is directed to the ornamental appearance of the case for smart phone in its entirety and does not extend to the ornamental appearance of each of the individual components of the case for smart phone in isolation. The broken lines throughout the drawing figures depict portions of the case for smart phone that form no part of the claimed design. The broken lines and regions bounded by broken lines form no part of the claimed design.

1 Claim, 14 Drawing Sheets



(58) **Field of Classification Search**
 USPC D14/137, 138 R, 138 AA, 138 C, 138 G,
 D14/172, 192, 203.3–203.7, 217, 238.1,
 D14/247, 248, 250–253, 440, 447
 CPC H04B 1/3888; H04M 1/0283; H04M
 1/0202; A45C 1/06; A45C 2011/002;
 A45C 11/00; A45F 2005/028; A45F
 2200/0525
 See application file for complete search history.

(56) **References Cited**

U.S. PATENT DOCUMENTS

D615,077 S 5/2010 Richardson et al.
 D615,536 S 5/2010 Richardson et al.
 D623,639 S 9/2010 Richardson et al.
 D623,640 S 9/2010 Freeman
 D624,908 S * 10/2010 Huskinson D14/250
 D624,909 S * 10/2010 Huskinson D14/250
 D624,910 S 10/2010 Richardson
 D626,120 S * 10/2010 Richardson D14/250
 D626,121 S * 10/2010 Richardson D14/250
 D638,830 S 5/2011 Magness
 D643,029 S 8/2011 Feng
 D643,836 S 8/2011 Smith
 D643,837 S 8/2011 Smith
 7,989,085 B2 8/2011 Li
 D644,635 S 9/2011 Richardson
 D647,084 S * 10/2011 Fathollahi D14/250
 D662,929 S 7/2012 Fahrendorff et al.
 D669,889 S 10/2012 Li et al.
 D671,930 S 12/2012 Akana et al.
 D673,539 S 1/2013 Magness et al.
 D674,789 S 1/2013 Wen
 D676,432 S * 2/2013 Hasbrook D14/250
 D679,695 S 4/2013 Fahrendorff et al.
 D687,027 S 7/2013 Melanson et al.
 D691,122 S 10/2013 Bau
 D692,419 S * 10/2013 Rayner D14/250
 D694,224 S 11/2013 Wooseung
 D694,759 S 12/2013 Chang
 D696,238 S 12/2013 Murchison et al.
 D696,240 S 12/2013 Kim et al.
 D697,905 S * 1/2014 Chang D14/250
 D698,774 S * 2/2014 Wardy D14/250
 D703,653 S 4/2014 Brubaker et al.
 D703,656 S 4/2014 Witter et al.
 D709,871 S * 7/2014 Lee D14/250
 D721,071 S 1/2015 Nelson et al.
 D721,693 S 1/2015 Lee et al.
 D732,525 S 6/2015 Seo et al.
 D734,747 S 7/2015 Seo et al.
 D735,182 S 7/2015 Watkins et al.
 D739,394 S 9/2015 Rayner et al.
 D741,844 S 10/2015 Rayner
 D741,845 S 10/2015 Kim
 D744,995 S 12/2015 Lerenthal
 D746,275 S 12/2015 Mohammad
 D746,805 S 1/2016 Kim
 D751,058 S 3/2016 Cocchia
 D753,099 S 4/2016 Kim
 D756,343 S 5/2016 Wall et al.
 D763,241 S 8/2016 Kim
 D765,627 S 9/2016 Watt
 D765,632 S 9/2016 Northrup et al.
 D765,633 S 9/2016 Northrup et al.
 D765,644 S 9/2016 Witter et al.
 D765,645 S 9/2016 Kim
 D766,819 S 9/2016 Gjovik
 D770,435 S * 11/2016 Daniel D14/250
 D771,612 S 11/2016 Roberts et al.
 D771,613 S 11/2016 Poon et al.
 D772,209 S 11/2016 Kim
 D772,211 S 11/2016 Poon et al.
 D773,445 S 12/2016 Witter et al.
 D776,647 S 1/2017 Kim

D777,155 S * 1/2017 Kim D14/250
 D777,157 S 1/2017 Kim
 D777,159 S 1/2017 Lee et al.
 D778,271 S 2/2017 Stump
 D778,892 S 2/2017 Fathollahi
 D781,835 S 3/2017 Kim et al.
 D781,836 S 3/2017 Kim et al.
 D781,837 S 3/2017 Kim et al.
 D781,838 S 3/2017 Kim et al.
 D781,839 S 3/2017 Kim et al.
 D781,840 S 3/2017 Kim et al.
 D782,453 S 3/2017 Kim et al.
 D782,454 S 3/2017 Kim et al.
 D784,309 S 4/2017 Lee et al.
 D786,848 S 5/2017 Park et al.
 D786,849 S 5/2017 Park et al.
 D786,851 S * 5/2017 Kim D14/250
 D786,854 S * 5/2017 Kim D14/250
 D787,498 S 5/2017 Chen
 D788,757 S * 6/2017 Kim D14/250
 D789,344 S * 6/2017 Kim D14/250
 D792,394 S 7/2017 Lee et al.
 D794,624 S * 8/2017 Fernandes D14/250
 D795,237 S 8/2017 Jung et al.
 D797,093 S * 9/2017 To D14/250
 D797,715 S 9/2017 Kim
 D800,714 S 10/2017 Lee et al.
 D801,323 S 10/2017 Kim
 D803,206 S * 11/2017 Kim D14/250
 D805,507 S 12/2017 Jakobuco
 D806,063 S * 12/2017 Kim D14/250
 D808,373 S 1/2018 Brown
 D816,655 S 5/2018 Dennis et al.
 D819,622 S 6/2018 Wright et al.
 D821,380 S 6/2018 Cramer et al.
 D822,653 S 7/2018 Kim et al.
 D823,293 S 7/2018 Kim et al.
 D823,294 S 7/2018 Kim et al.
 D823,295 S 7/2018 Kim et al.
 D823,296 S 7/2018 Kim et al.
 D823,297 S 7/2018 Kim et al.
 D823,298 S 7/2018 Kim et al.
 2013/0098790 A1 * 4/2013 Hong A45C 11/00
 206/320
 2014/0221056 A1 8/2014 Gandhi
 2015/0141090 A1 5/2015 Hwan
 2015/0381226 A1 * 12/2015 Mogol H04B 1/3888
 455/575.1

OTHER PUBLICATIONS

Spigen, “Installation video of SGP Neo Hybrid2”, https://www.youtube.com/watch?v=y5_Nd0V0fZo, Published on May 25, 2010, Downloaded on Feb. 21, 2019.
 Spigen, “Installation video of SGP Neo Hybrid Ex on iPhone 4”, <https://www.youtube.com/watch?v=Z-IRDIH1w0E>, Published on Sep. 3, 2010, Downloaded on Feb. 21, 2019.
 “SGP iPhone 4 Case Neo Hybrid Matte Series Gun Metal”, https://www.amazon.co.uk/iPhone-Case-Hybrid-Matte-Metal/dp/B004F1107E/ref=cm_cr_srp_d_product_top?ie=UTF8, Earliest review date of Dec. 3, 2010, Downloaded on Aug. 15, 2018.
 Spigen, “Installation video of SGP Case Neo Hybrid Ex on Galaxy S2”, <https://www.youtube.com/watch?v=ZPhSIAUxXWg>, Published on Aug. 24, 2011, Downloaded on Feb. 21, 2019.
 Danny Winget, “Spigen SGP Neo Hybrid for Galaxy Noe 3 Review”, <https://www.youtube.com/watch?v=W80JIBDScKk>, Published on Nov. 3, 2013, Downloaded on Dec. 20, 2018.
 “Spigen Neo Hybrid Galaxy S5 Case with Flexible Inner Protection and Reinforced Hard Bumper Frame for Samsung Galaxy S5 2014—Electric Blue”, <https://www.amazon.com/dp/B0013UWJY>, Earliest review date of Apr. 12, 2014, Downloaded on Jan. 22, 2019.
 “Spigen Neo Hybrid iPhone 6 Case with Flexible Inner Protection and Reinforced Hard Bumper Frame for iPhone 6S / iPhone 6—Gunmetal”, <https://www.amazon.com/dp/B00LL6ZPXY>, Earliest review date of Aug. 28, 2014, Downloaded on Dec. 18, 2019.

(56)

References Cited

OTHER PUBLICATIONS

“Spigen Neo Hybrid Ex iPhone 6 Case with Flexible Inner Bumper and Reinforced Hard Frame for iPhone 6S/iPhone 6—EX Satin Silver”, <https://www.amazon.com/dp/B00LL6RZ3C>, Earliest review date of Sep. 6, 2014, Downloaded on Dec. 18, 2019.

“Spigen Neo Hybrid Nexus 6 Case with Flexible Inner Protection and Reinforced Hard Bumper Frame for Google Nexus 6 2014—Dante Red”, <https://www.amazon.com/dp/B000H4HKGC>, Earliest review date of Nov. 16, 2014, Downloaded on Dec. 18, 2019.

“Spigen Neo Hybrid Galaxy S6 Case with Flexible Inner Protection and Reinforced Hard Bumper Frame for Galaxy S6 2015—Satin Silver”, <https://www.amazon.com/dp/B00QU4Q31A>, Earliest review date of Mar. 6, 2015, Downloaded on Dec. 18, 2019.

“Spigen Neo Hybrid Galaxy S6 Edge Case with Flexible Inner Protection and Reinforced Hard Bumper Frame for Galaxy S6 Edge 2015—Gunmetal”, <https://www.amazon.com/dp/B00V635BG>, Earliest review date of Mar. 19, 2015, Downloaded on Dec. 18, 2019.

“Spigen Neo Hybrid CC Galaxy S6 Case with Flexible Inner Casing and Reinforced Hard Bumper Frame for Galaxy S6 2015—Satin Silver”, <https://www.amazon.com/dp/B00UMDOZLU>, Earliest review date of Mar. 25, 2015, Downloaded on Dec. 18, 2019.

“Spigen Neo Hybrid CC Galaxy S6 Edge Case with Flexible Inner Casing and Reinforced Hard Bumper Frame for Galaxy S6 Edge 2015—Blue Topaz”, <https://www.amazon.com/dp/B00USAPGKQ>, Earliest review date of Apr. 4, 2015, Downloaded on Dec. 18, 2019.

“Spigen Neo Hybrid Carbon Galaxy S6 Edge Plus Case with Carbon Fiber Design and Reinforced Hard Bumper Frame for Galaxy S6 Edge Plus 2015—Dante Red”, <https://www.amazon.com/dp/B010MWHZSO>, Earliest review date of Aug. 18, 2015, Downloaded on Dec. 18, 2019.

“Spigen Neo Hybrid Crystal Galaxy Note 5 Case with Flexible Inner Casing and Reinforced Hard Bumper Frame for Galaxy Note 5 2015—Champagne Gold”, <https://www.amazon.com/dp/B010MWIG1K>, Earliest review date of Aug. 22, 2015, Downloaded on Dec. 18, 2019.

“iPhone 6s Case, Spigen [Neo Hybrid Ex] Premium Bumper [Rose Gold] Clear TPU / PC Frame Slim Dual Layer Premium Case for iPhone 6 (2014) / 6s (2015)—Rose”, Gold (SGP11725), <https://www.amazon.com/dp/B012PKV30S>, Earliest review date of Aug. 28, 2015, Downloaded on Dec. 18, 2019.

“Spigen Neo Hybrid Carbon iPhone 6s Case with Carbon Fiber Design and Reinforced Hard Bumper Frame for Apple iPhone 6s / iPhone 6 (2015)—Reventon Yellow”, <https://www.amazon.com/dp/B010MVJ508>, Earliest review date of Sep. 1, 2015, Downloaded on Dec. 18, 2019.

“Spigen Neo Hybrid iPhone 6S Case with Flexible Inner Protection and Reinforced Hard Bumper Frame for iPhone 6S 2015—Gunmetal”, <https://www.amazon.com/dp/B010MVIZTE>, Earliest review date of Sep. 1, 2015, Downloaded on Dec. 18, 2019.

“Spigen Neo Hybrid Ex iPhone 6S Plus Case with Flexible Inner Bumper and Reinforced Hard Frame for iPhone 6S Plus/iPhone 6 Plus—Champagne Gold”, <https://www.amazon.com/dp/B010MVR16>, Earliest review date of Sep. 4, 2015, Downloaded on Dec. 18, 2019.

“Spigen Neo Hybrid Crystal Galaxy S7 Edge Case with Flexible Inner Casing and Reinforced Hard Bumper Frame for Samsung Galaxy S7 Edge 2016—Satin Silver”, <https://www.amazon.com/dp/B01A7IDQV4>, Earliest review date of Feb. 22, 2016, Downloaded on Dec. 18, 2019.

“Spigen Neo Hybrid Galaxy S7 Case with Flexible Inner Protection and Reinforced Hard Bumper Frame for Samsung Galaxy S7 2016—Gunmetal”, <https://www.amazon.com/dp/B016116J0E>, Earliest review date of Feb. 27, 2016, Downloaded on Dec. 18, 2019.

“Spigen Neo Hybrid Galaxy S7 Edge Case with Flexible Inner Protection and Reinforced Hard Bumper Frame for Samsung Galaxy S7 Edge 2016—Satin Silver”, <https://www.amazon.com/dp/B0113116JMM>, Earliest review date of Feb. 27, 2016, Downloaded on Dec. 18, 2019.

“Spigen Neo Hybrid Crystal Galaxy S7 Case with Flexible Inner Casing and Reinforced Hard Bumper Frame for Samsung Galaxy

S7 2016—Champagne Gold”, <https://www.amazon.com/dp/B01B29WCOY>, Earliest review date of Mar. 3, 2016 Downloaded on Dec. 18, 2019.

“Spigen Neo Hybrid iPhone SE Case with Flexible Inner Protection and Reinforced Hard Bumper Frame for iPhone SE 2016—Gunmetal”, <https://www.amazon.com/dp/B01BEJBBSK>, Earliest review date of Apr. 6, 2016, Downloaded on Dec. 18, 2019.

“Spigen Neo Hybrid Crystal iPhone SE Case with Flexible Inner Casing and Reinforced Hard Bumper Frame for iPhone SE 2016—Rose Gold”, <https://www.amazon.com/dp/B01BEJB7TI>, Earliest review date of Apr. 7, 2016, Downloaded on Dec. 18, 2019.

“Spigen Neo Hybrid Crystal LG G5 Case with Flexible Inner Casing and Reinforced Hard Bumper Frame for LG G5 2016—Champagne Gold”, <https://www.amazon.com/dp/B01B1GQKIC>, Earliest review date of Apr. 17, 2016, Downloaded on Dec. 18, 2019.

“Spigen Neo Hybrid OnePlus 3 Case/OnePlus 3T Case with Flexible Inner Protection and Reinforced Hard Bumper Frame for OnePlus 3 2016—Gunmetal”, <https://www.amazon.com/dp/B01H3PF76Q>, Earliest review date of Aug. 9, 2016, Downloaded on Dec. 18, 2019.

“Spigen Neo Hybrid Crystal iPhone 7 Plus Case with Flexible Casing and Hard Bumper Frame for Apple iPhone 7 Plus 2016—Champagne Gold”, <https://www.amazon.com/dp/B01G1WHKXI>, Earliest review date of Sep. 8, 2016, Downloaded on Dec. 18, 2019.

“Spigen Neo Hybrid iPhone 7 Case with Flexible Inner Protection and Reinforced Hard Bumper Frame for iPhone 7 2016—Gunmetal”, <https://www.amazon.com/dp/B01GIVXKUG>, Earliest review date of Sep. 8, 2016, Downloaded on Dec. 18, 2019.

“Spigen Neo Hybrid Crystal iPhone 7 Case with Flexible Inner Casing and Reinforced Hard Bumper Frame for iPhone 1 2016—Rose”, <https://www.amazon.com/dp/B01GIVXVN2>, Earliest review date of Sep. 14, 2016, Downloaded on Dec. 18, 2019.

“Spigen Neo Hybrid iPhone 7 Plus Case with Flexible Inner Protection and Hard Bumper Frame for Apple iPhone 7 Plus (2016)—Gunmetal”, <https://www.amazon.com/dp/B01GIWH6H8>, Earliest review date of Sep. 14, 2016, Downloaded on Dec. 18, 2019.

“Spigen Neo Hybrid Google Pixel XL Case with Flexible Inner Protection and Reinforced Hard Bumper Frame for Google Pixel XL 2016—Satin Silver”, <https://www.amazon.com/dp/B01LZW1LW3>, Earliest review date of Oct. 23, 2016, Downloaded on Dec. 18, 2019.

“Spigen Neo Hybrid Google Pixel Case with Flexible Inner Protection and Reinforced Hard Bumper Frame for Google Pixel 2016—Blue”, <https://www.amazon.com/dp/B01N3VR9EA>, Earliest review date of Jan. 10, 2017, Downloaded on Dec. 18, 2019.

“Spigen Neo Hybrid Huawei Y6 Case with Flexible Inner Protection and Reinforced Hard Bumper Frame for Huawei Ye 2015—Champagne Gold”, <https://www.amazon.com/dp/B0182SKWUO>, Earliest review date of Feb. 13, 2017, Downloaded on Dec. 18, 2019.

“Spigen Neo Hybrid LG G6 Case Herringbone with Flexible Inner Protection and Reinforced Hard Bumper Frame for LG G6 (2017)—Satin Silver”, <https://www.amazon.com/dp/B01MR8C5Z7>, Earliest review date of Mar. 25, 2017, Downloaded on Dec. 18, 2019.

“Spigen Neo Hybrid Galaxy S8 Plus Case Herringbone with Flexible Inner Protection and Reinforced Hard Bumper Frame for Galaxy S8 Plus (2017)—Gunmetal”, <https://www.amazon.com/dp/B06XP6CRP5>, Earliest review date of Apr. 2, 2017, Downloaded on Dec. 18, 2019.

“Spigen Neo Hybrid Galaxy S8 Case Herringbone with Flexible Inner Protection and Reinforced Hard Bumper Frame for Samsung Galaxy S8 (2017)—Gunmetal”, <https://www.amazon.com/dp/B06XP521V1>, Earliest review date of Apr. 6, 2017, Downloaded on Dec. 18, 2019.

“Spigen Neo Hybrid Crystal Glitter Galaxy S8 Case with Flexible Inner Casing and Reinforced Hard Bumper Frame for Samsung Galaxy S8 (2017)—Space Quartz”, <https://www.amazon.com/dp/B06XP5KTXN>, Earliest review date of Apr. 15, 2017, Downloaded on Dec. 18, 2019.

“Spigen Neo Hybrid Crystal Galaxy S8 Plus Case with Clear Hard Casing and Reinforced Hard Bumper Frame for Galaxy S8 Plus

(56)

References Cited

OTHER PUBLICATIONS

(2017)—Gunmetal”, <https://www.amazon.com/dp/B06XP5HHV1>, Earliest review date of Apr. 20, 2017, Downloaded on Dec. 18, 2019.

“Spigen Neo Hybrid Crystal Glitter Galaxy S8 Plus Case with Flexible Inner Protection and Reinforced Hard Bumper Frame for Galaxy S8 Plus (2017)—Space Quartz”, <https://www.amazon.com/dp/B06XNW4WS9>, Earliest review date of Apr. 20, 2017, Downloaded on Dec. 18, 2019.

“Spigen Neo Hybrid Crystal Galaxy S6 Edge Plus Case with Flexible Inner Casing and Reinforced Hard Bumper Frame for Galaxy S6 Edge Plus 2015—Blue Topaz”, <https://www.amazon.com/dp/B010MWIIXQ>, Earliest review date of Jun. 25, 2017, Downloaded on Dec. 18, 2019.

“Spigen Neo Hybrid OnePlus 5 Case with Flexible Inner Protection and Reinforced Hard Bumper Frame for OnePlus 5 (2017)—Gunmetal”, <https://www.amazon.com/dp/B06XG24Q98>, Earliest review date of Aug. 23, 2017, Downloaded on Dec. 18, 2019.

“Spigen Neo Hybrid Galaxy Note 8 Case with Herringbone Flexible Inner Protection and Reinforced Hard Bumper Frame for Galaxy Note 8 (2017)—Gunmetal”, <https://www.amazon.com/dp/B073RWTZ5V>, Earliest review date of Aug. 27, 2017, Downloaded on Dec. 18, 2019.

“Spigen Neo Hybrid Crystal Galaxy Note 8 Case with Clear Hard Casing and Reinforced Hard Bumper Frame for Galaxy Note 8 (2017)—Gunmetal”, <https://www.amazon.com/dp/B073R79115>, Earliest review date of Aug. 28, 2017, Downloaded on Dec. 18, 2019.

“Spigen Neo Hybrid Herringbone iPhone 8 Plus Case/iPhone 7 Plus Case with Hard Bumper Frame for Apple iPhone 3 Plus (2017) / Apple iPhone 7 Plus (2016)—Black & Gunmetal”, <https://www.amazon.com/dp/B07482D1JW>, Earliest review date of Sep. 12, 2017, Downloaded on Dec. 18, 2019.

* cited by examiner

FIG. 1

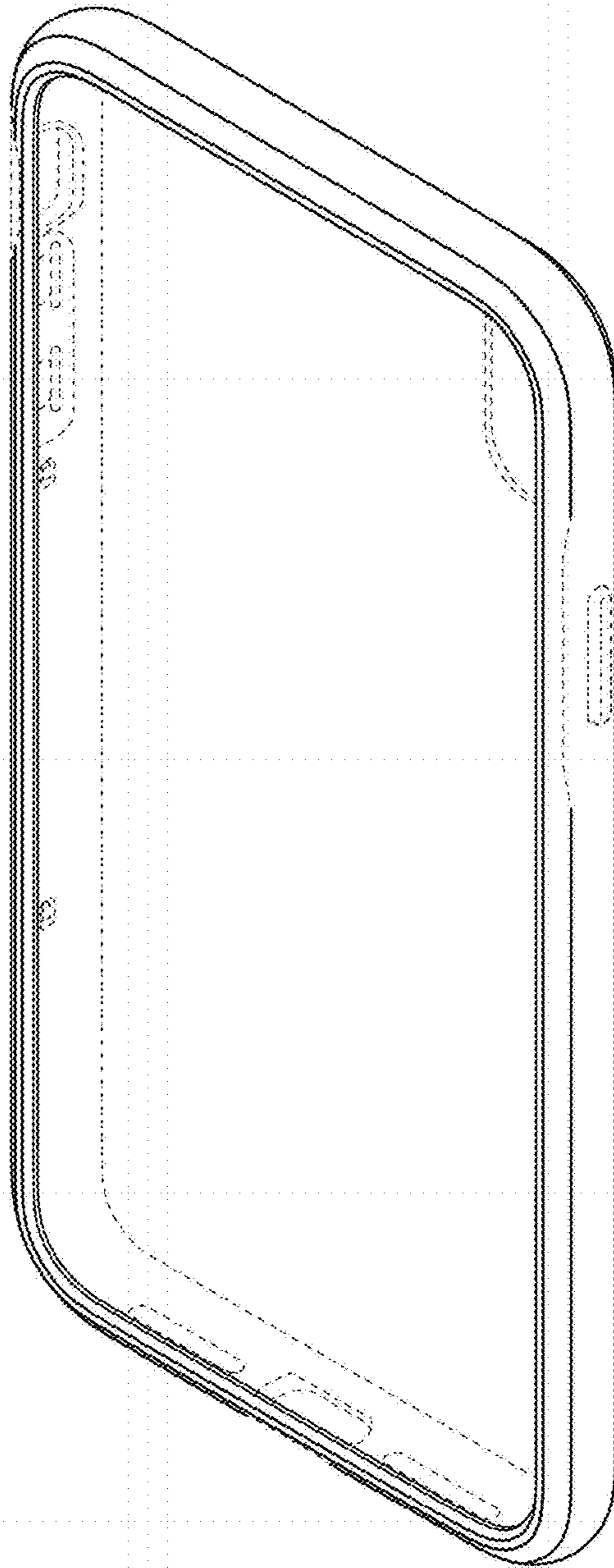


FIG. 2

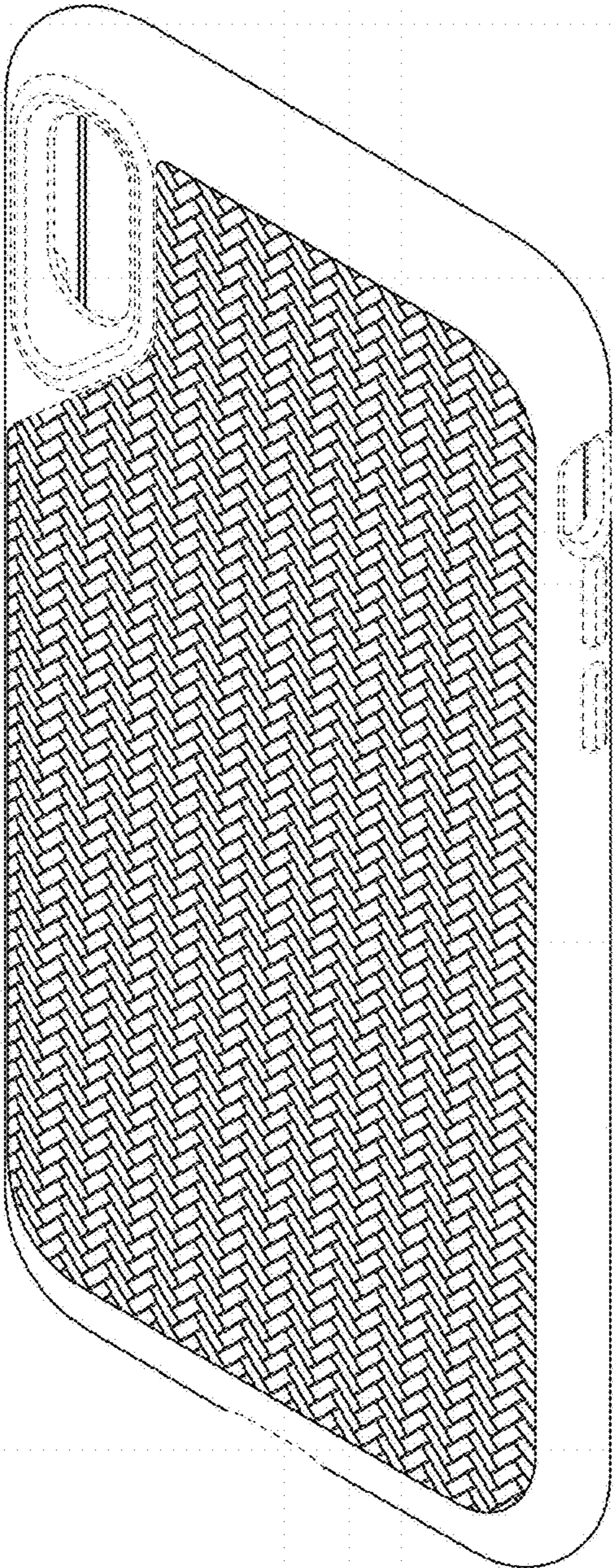


FIG. 3

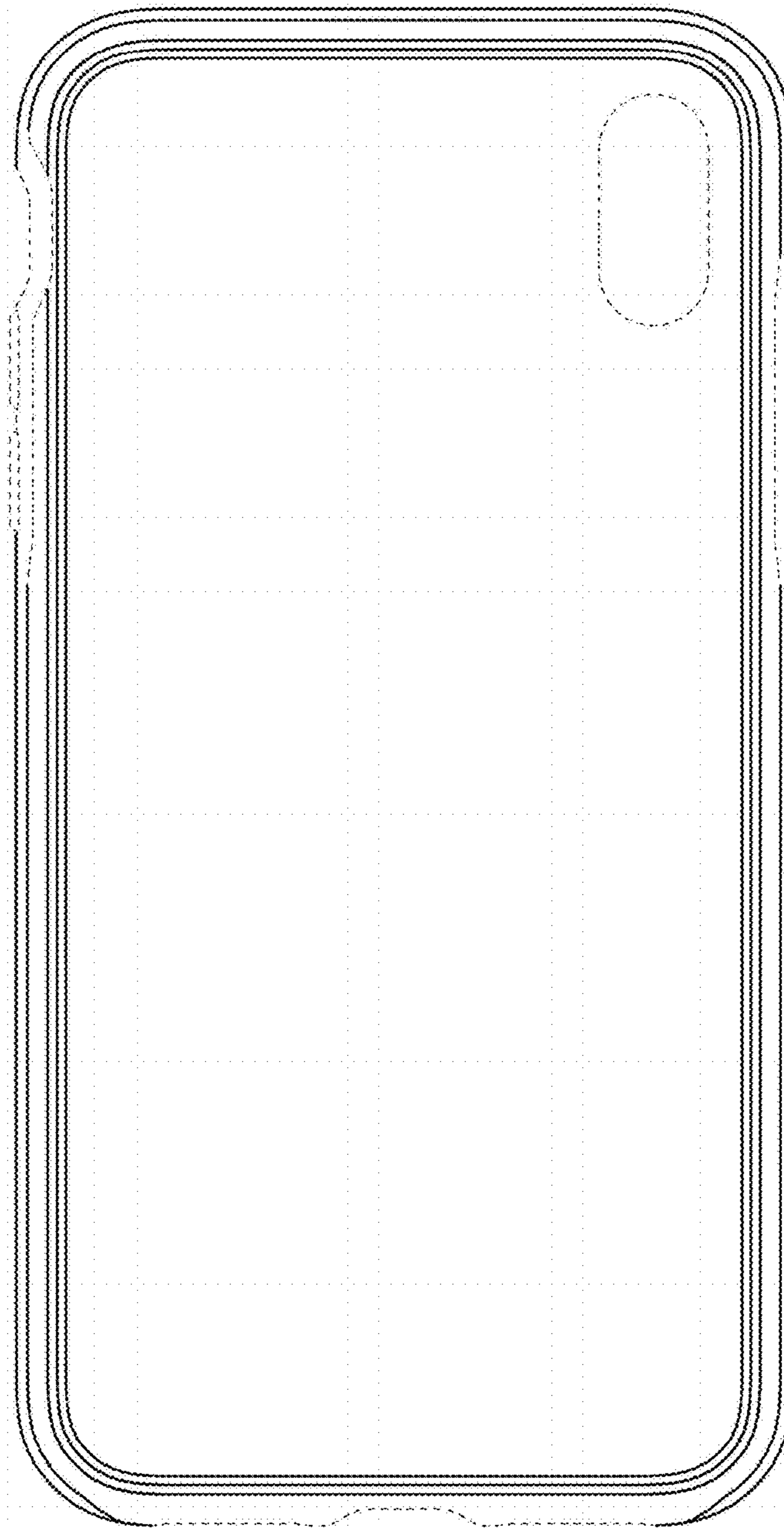


FIG. 4

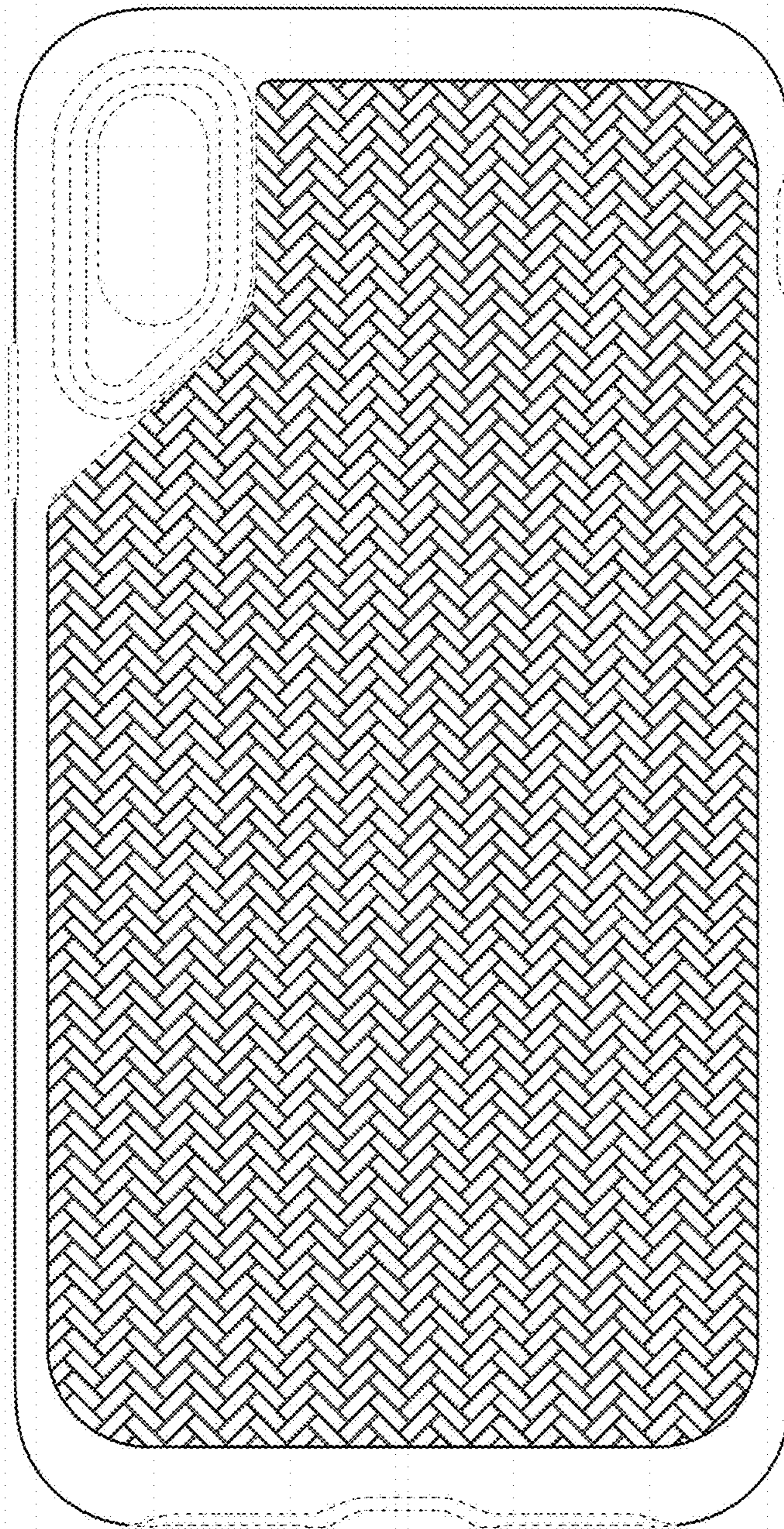


FIG. 5

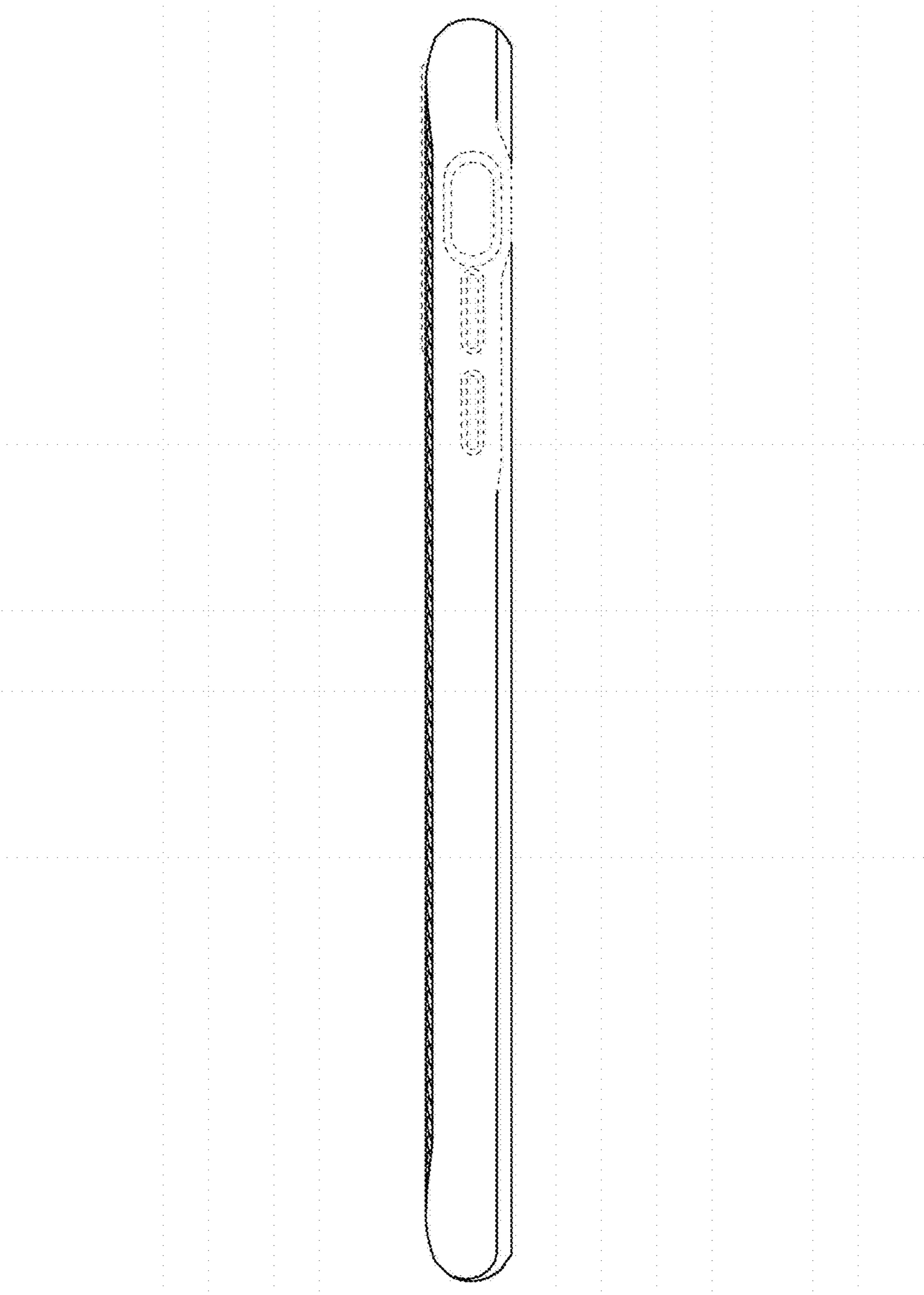


FIG. 6

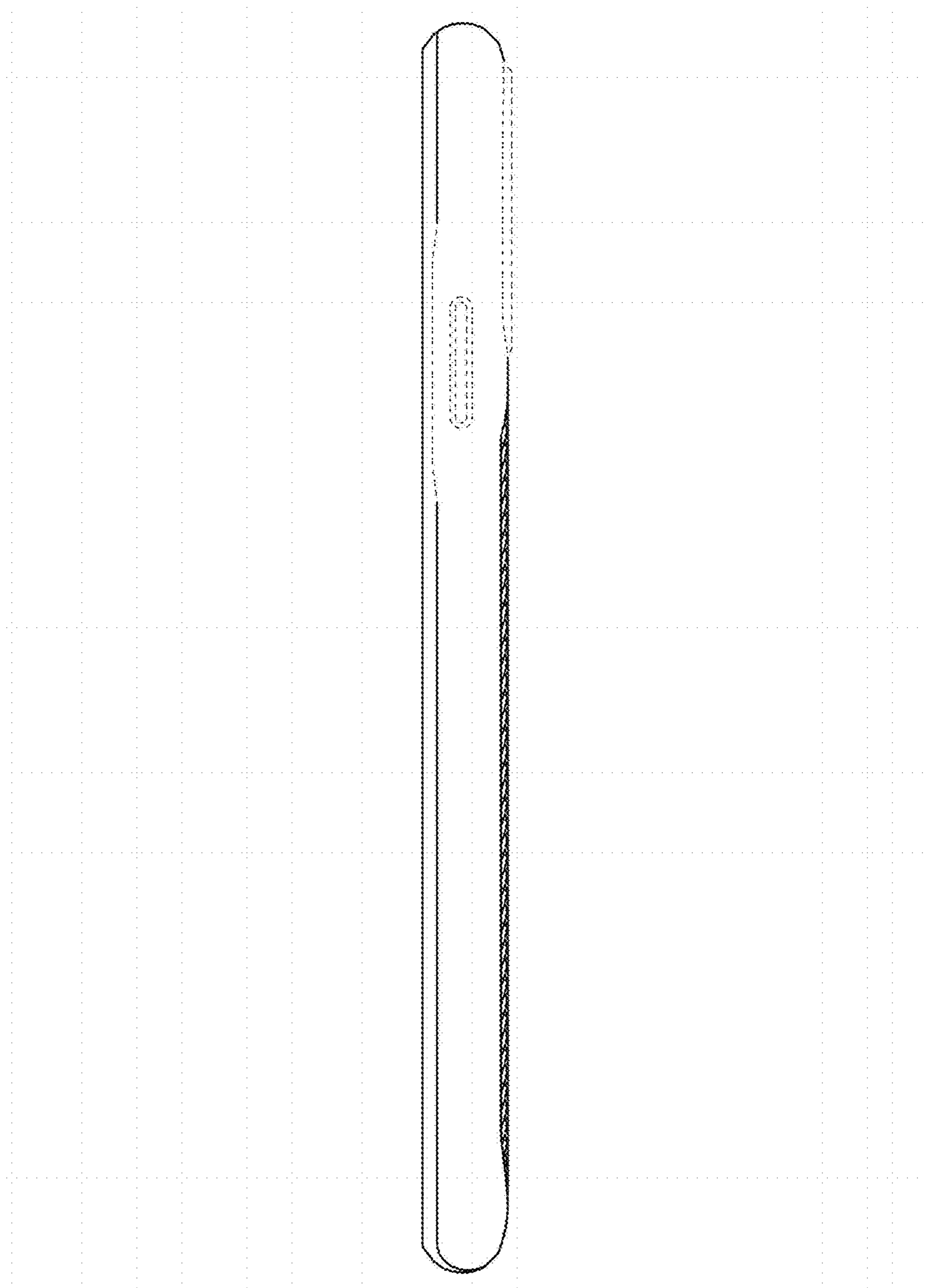


FIG. 7



FIG. 8

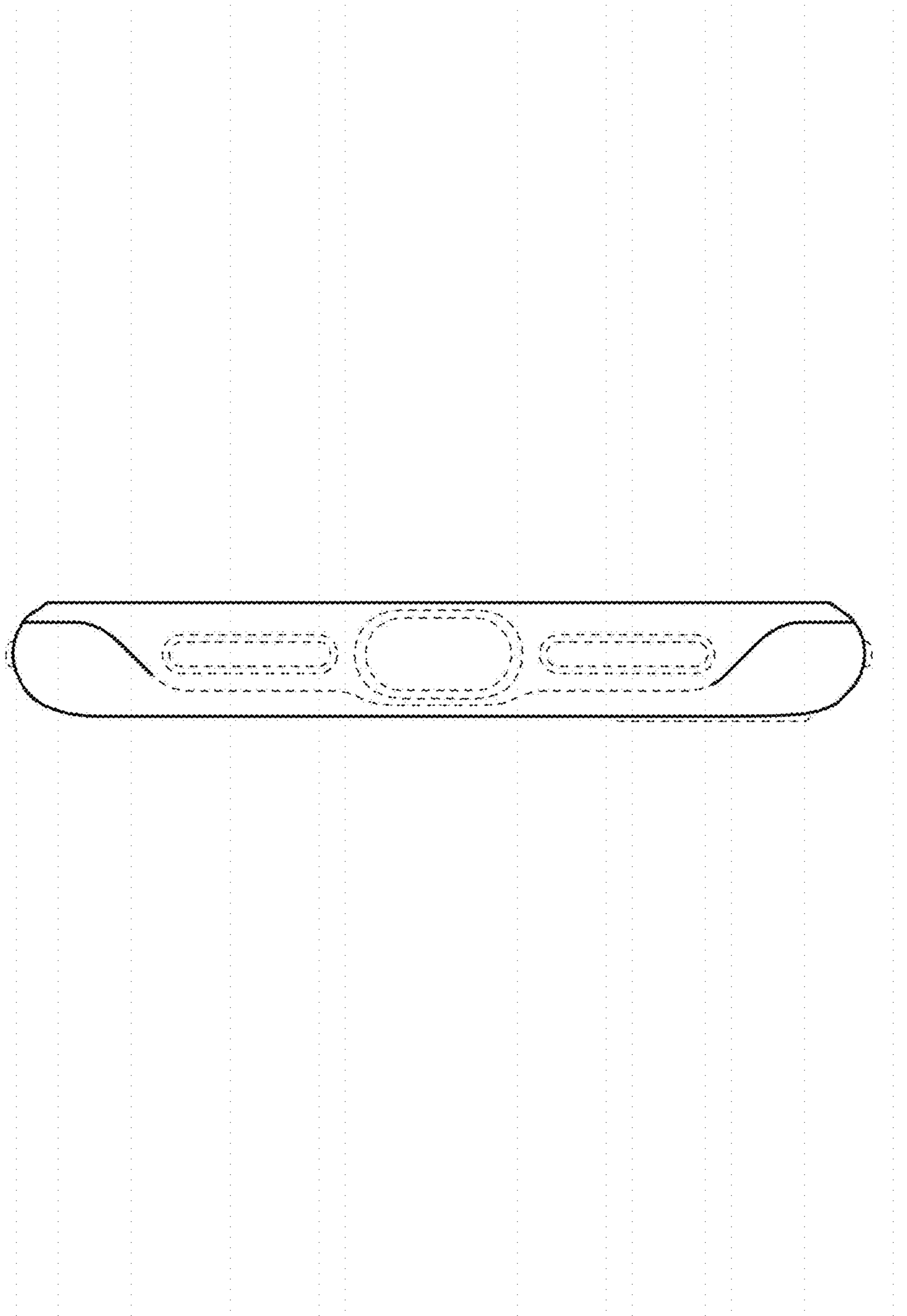


FIG. 9

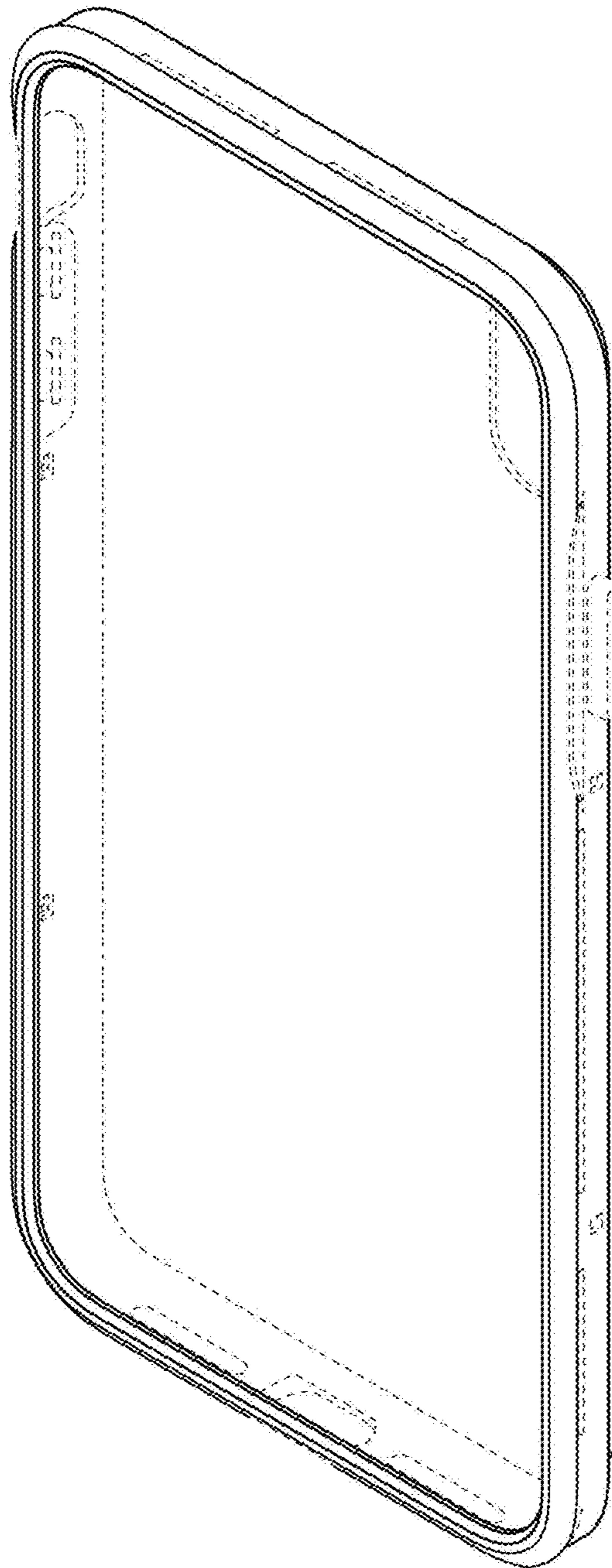


FIG. 10

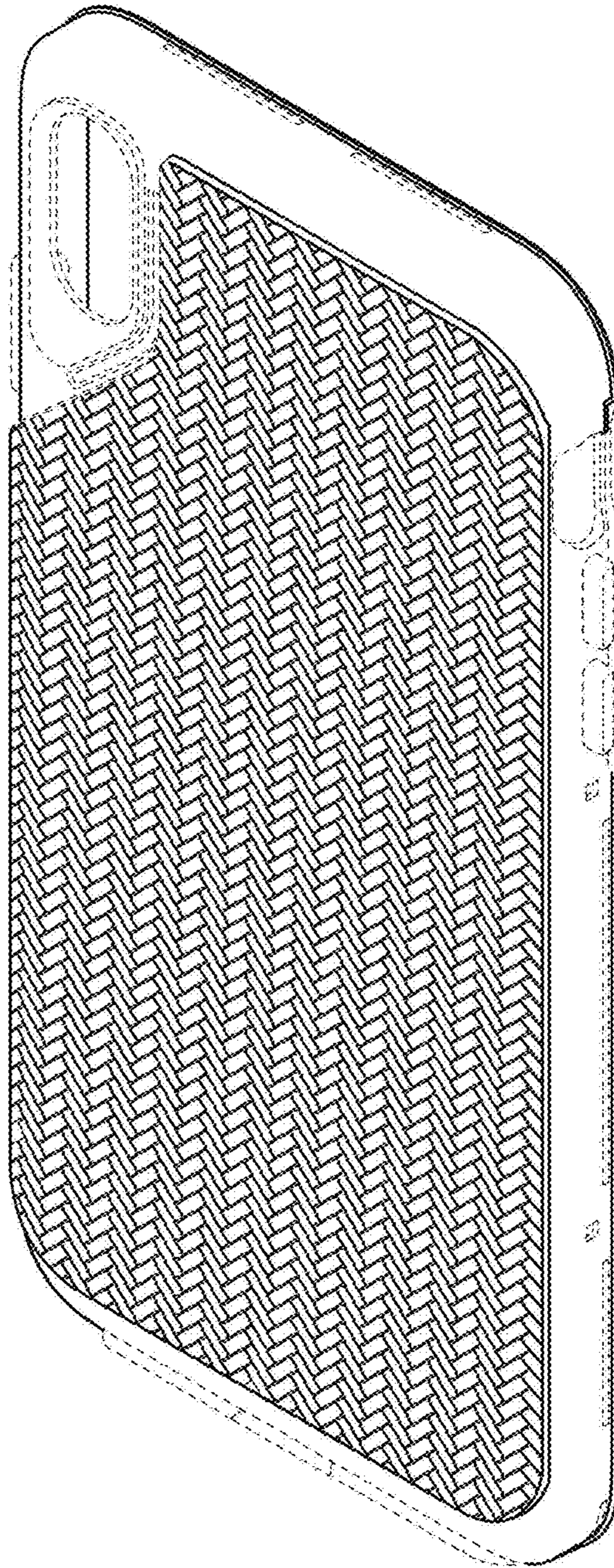


FIG. 11

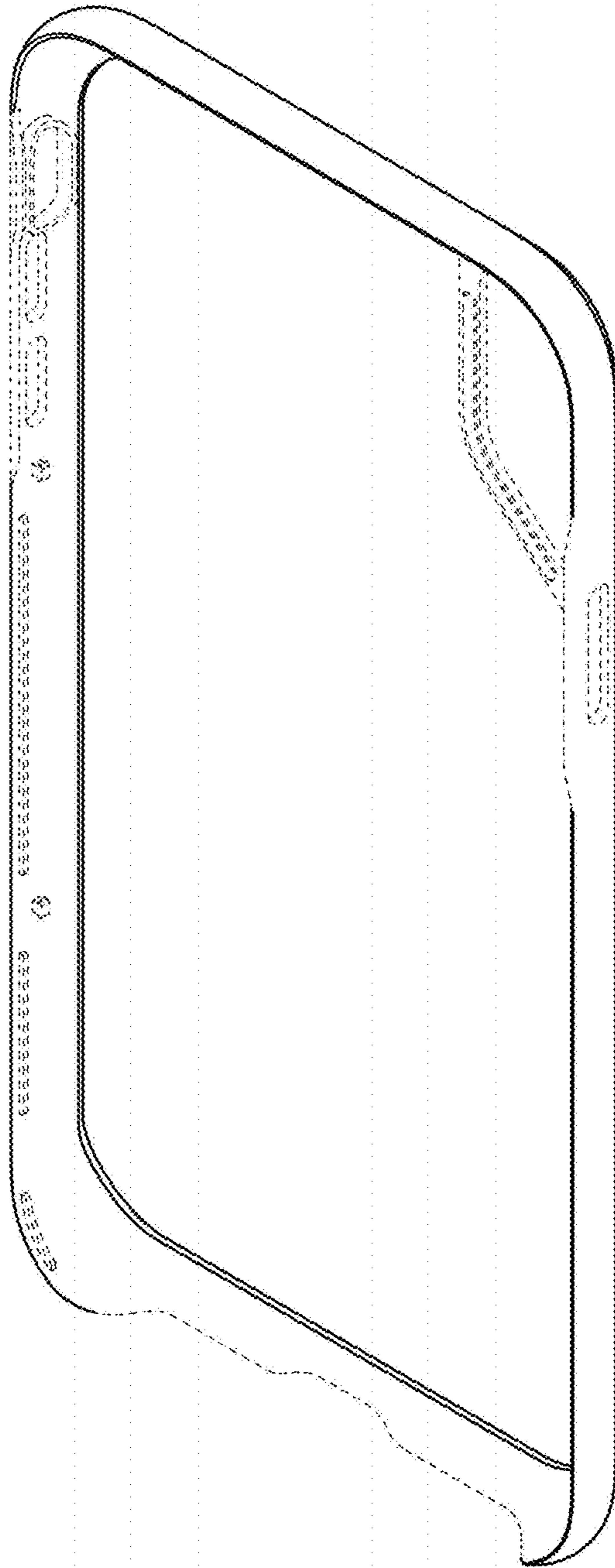


FIG. 12

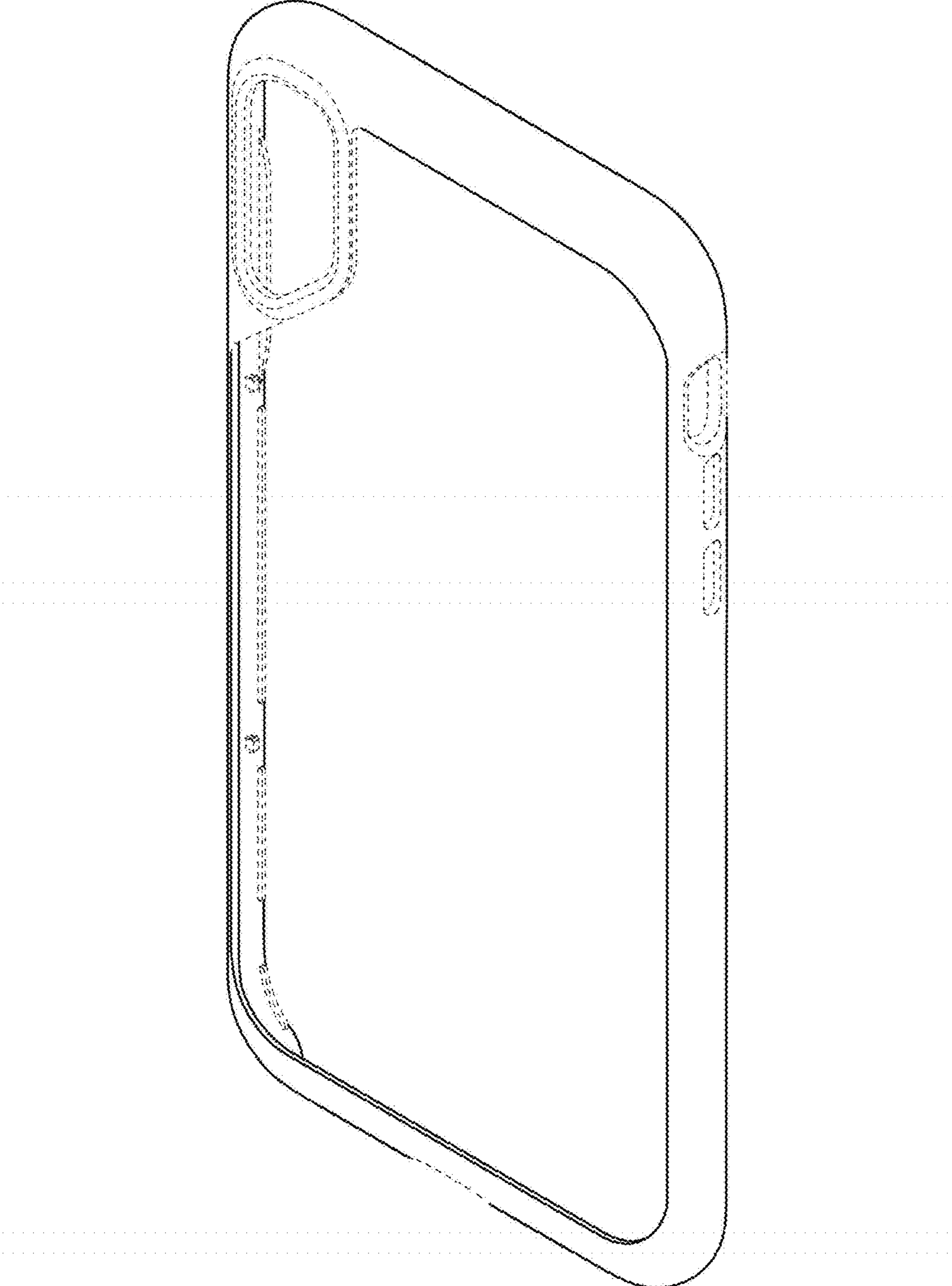


FIG. 13

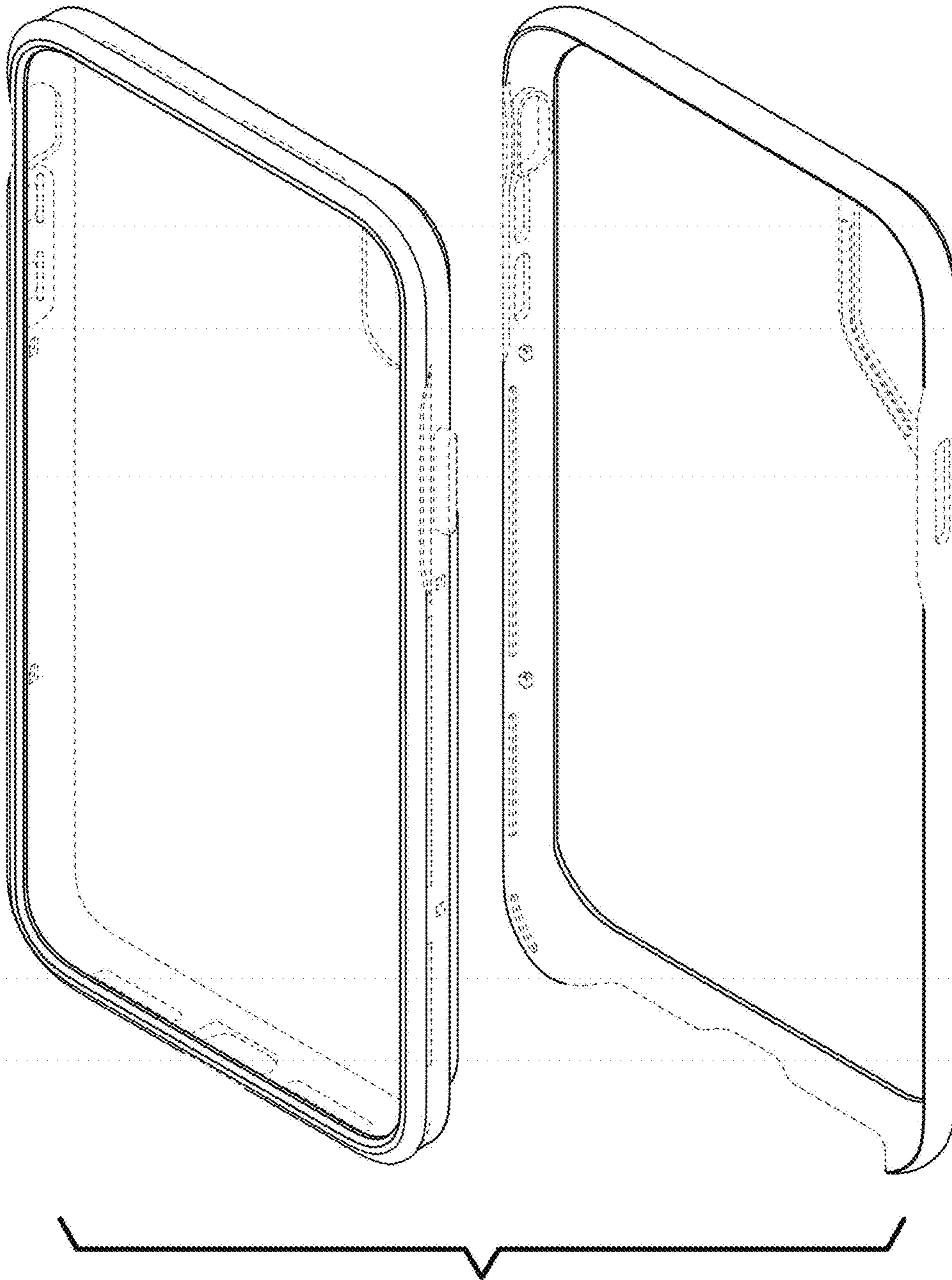


FIG. 14

