



US00D877724S

(12) **United States Design Patent**
Bian

(10) **Patent No.:** **US D877,724 S**

(45) **Date of Patent:** **** Mar. 10, 2020**

(54) **ADAPTER**

(71) Applicant: **Head-Direct (Kunshan) Company Limited, Kunshan (CN)**

(72) Inventor: **Fang Bian, Kunshan (CN)**

(73) Assignee: **Head-Direct (Kunshan) Company Limited, Kunshan (CN)**

(**) Term: **15 Years**

(21) Appl. No.: **29/640,319**

(22) Filed: **Mar. 13, 2018**

(30) **Foreign Application Priority Data**

Sep. 15, 2017 (CN) 2017 3 0462531

(51) **LOC (12) Cl.** **14-03**

(52) **U.S. Cl.**
USPC **D14/240**

(58) **Field of Classification Search**
USPC D14/240, 242, 358, 348, 349, 356-357, D14/363, 432, 433, 474, 480.1, 496, 125, D14/137, 139, 140-140.9, 155, 203.1, D14/217, 188, 299, 204, 216, 214, 301, D14/313, 434; D13/110, 123, 108, 158, D13/184, 199; D10/104.1
CPC H04W 88/00; H04W 88/04; H04W 88/02; H04W 88/005; H04W 88/08; H04W 88/085; H04W 88/10; H04W 88/12; H04W 88/14; H04W 88/16; H04W 92/06; H04W 88/18; H04B 1/38; H04B 1/3827; H04L 12/00; H01Q 1/02; H01Q 1/2291; H01Q 1/246

See application file for complete search history.

(56) **References Cited**

U.S. PATENT DOCUMENTS

D346,607 S * 5/1994 Bhargava D14/242
D487,086 S * 2/2004 Chung D14/356

D491,563 S * 6/2004 Sato D14/242
D609,704 S * 2/2010 Sin D14/349
D680,536 S * 4/2013 Tzeng D14/358
D687,023 S * 7/2013 Jung D14/242
D775,122 S * 12/2016 Goos D14/313
D781,812 S * 3/2017 Cho D14/204
D790,539 S * 6/2017 Lee D14/240
D806,696 S * 1/2018 Goos D14/301
D833,415 S * 11/2018 Kitazawa D14/204
D852,806 S * 7/2019 Gehring D14/474
D853,999 S * 7/2019 Jiang D14/242

OTHER PUBLICATIONS

Amazon_ CFsunbird DC 5V HiFi Bluetooth, no date available, [online], [site visited Nov. 1, 2019]. Retrieved from url:https://www.amazon.com/CFsunbird-Bluetooth-Receiver-CSR64215-Modified/dp/B07QQ2JLHV (Year: 2019).*

* cited by examiner

Primary Examiner — Cathron C Brooks

Assistant Examiner — Tracey J Bell

(74) *Attorney, Agent, or Firm* — BakerHostetler

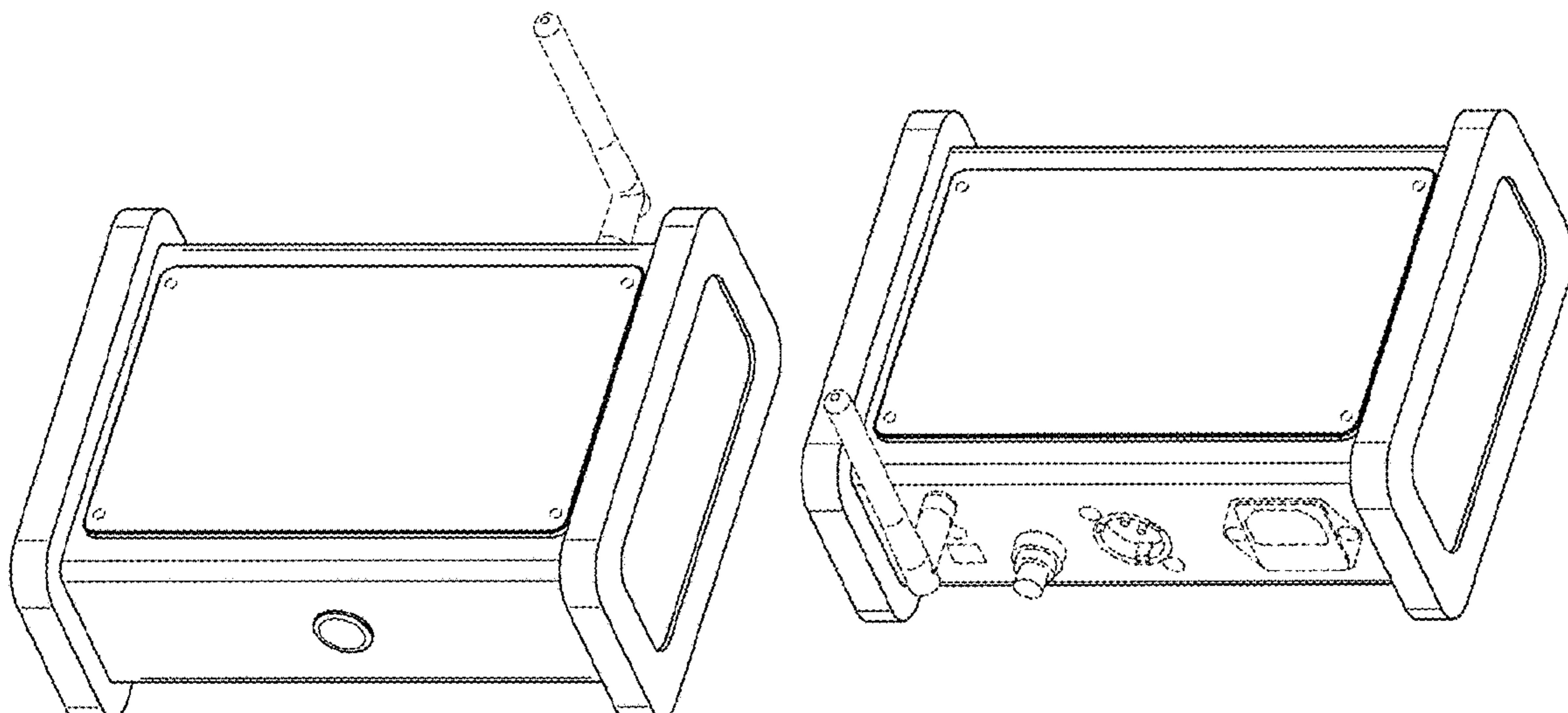
(57) **CLAIM**

I claim the ornamental design for an adapter, as shown and described.

DESCRIPTION

FIG. 1 is a front perspective view of an adapter showing the design;
FIG. 2 is a rear perspective view thereof;
FIG. 3 is a front view thereof;
FIG. 4 is a rear view thereof;
FIG. 5 is a top view thereof;
FIG. 6 is a bottom view thereof;
FIG. 7 is a left side view thereof; and,
FIG. 8 is a right side view thereof.
The broken lines in the figures show portions of the adapter that form no part of the claimed design.

1 Claim, 4 Drawing Sheets



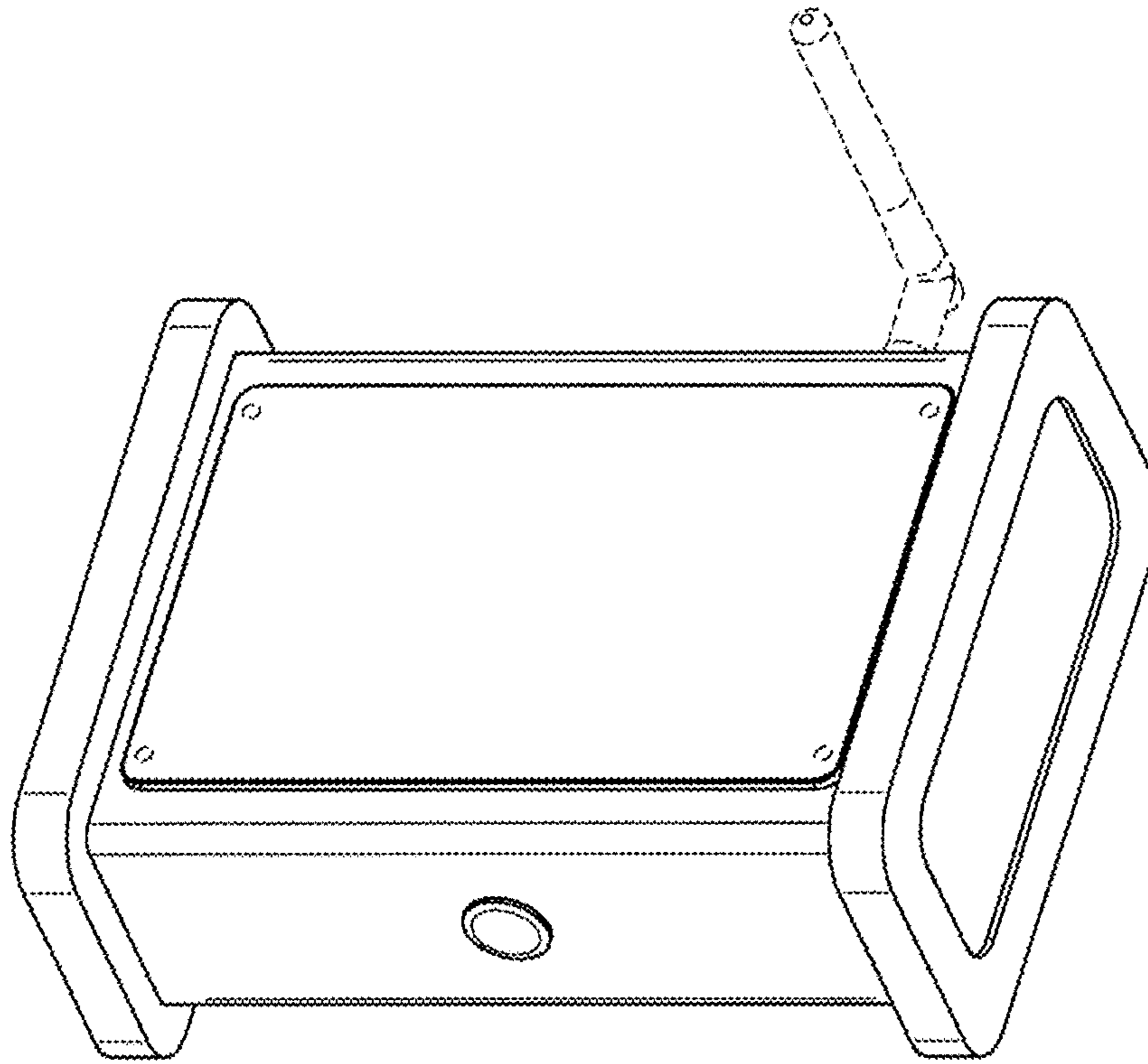


FIG. 1

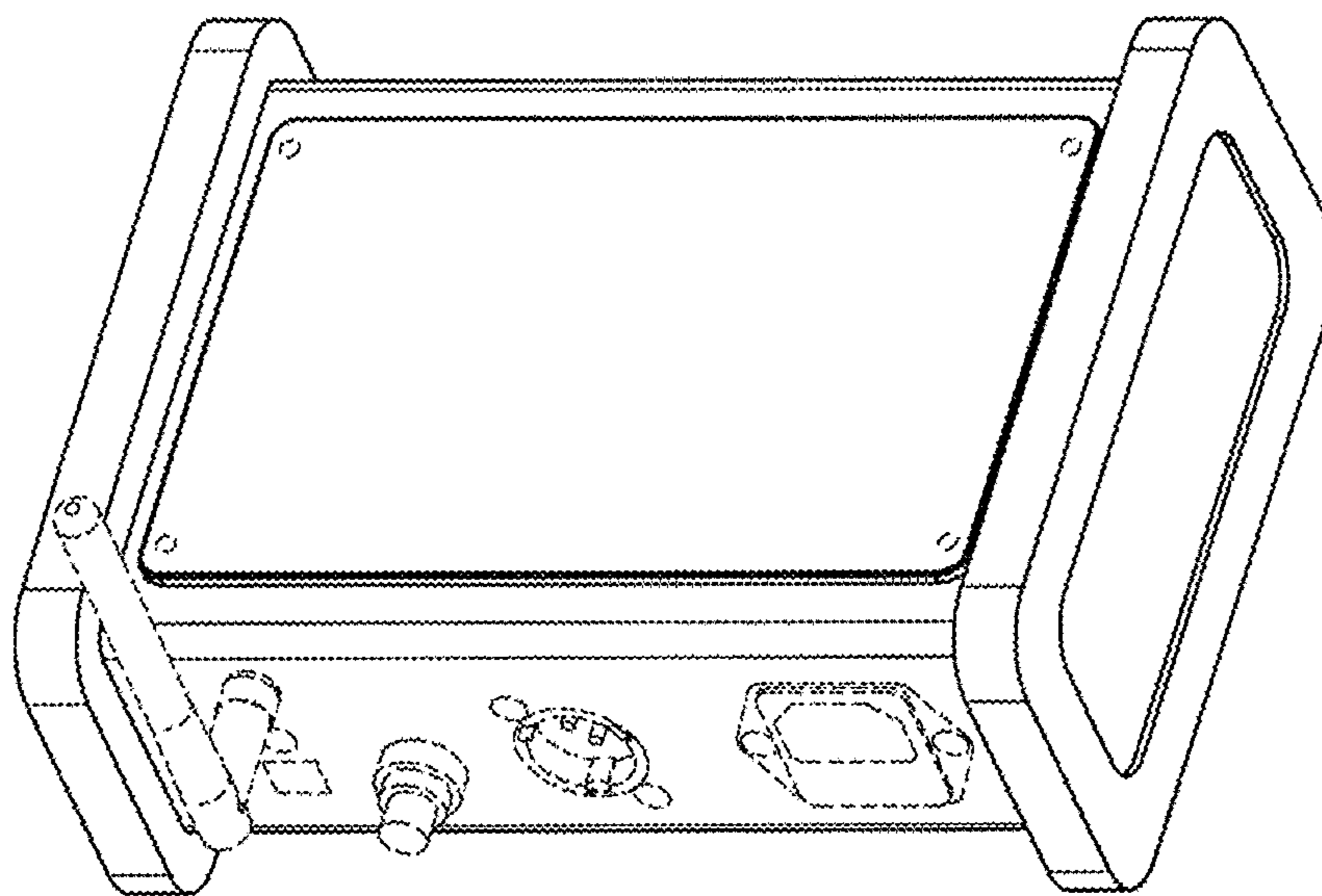


FIG. 2

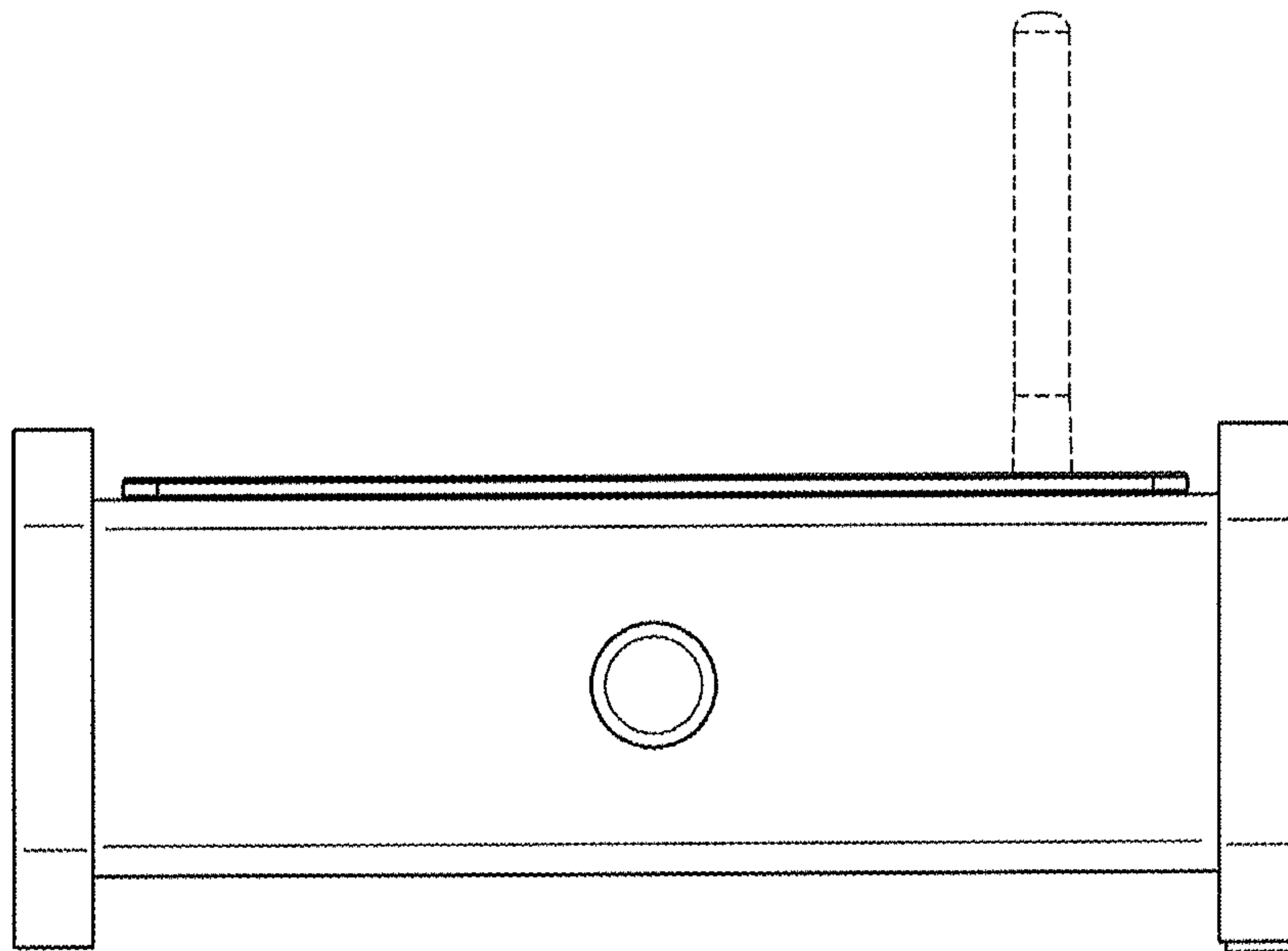


FIG. 3

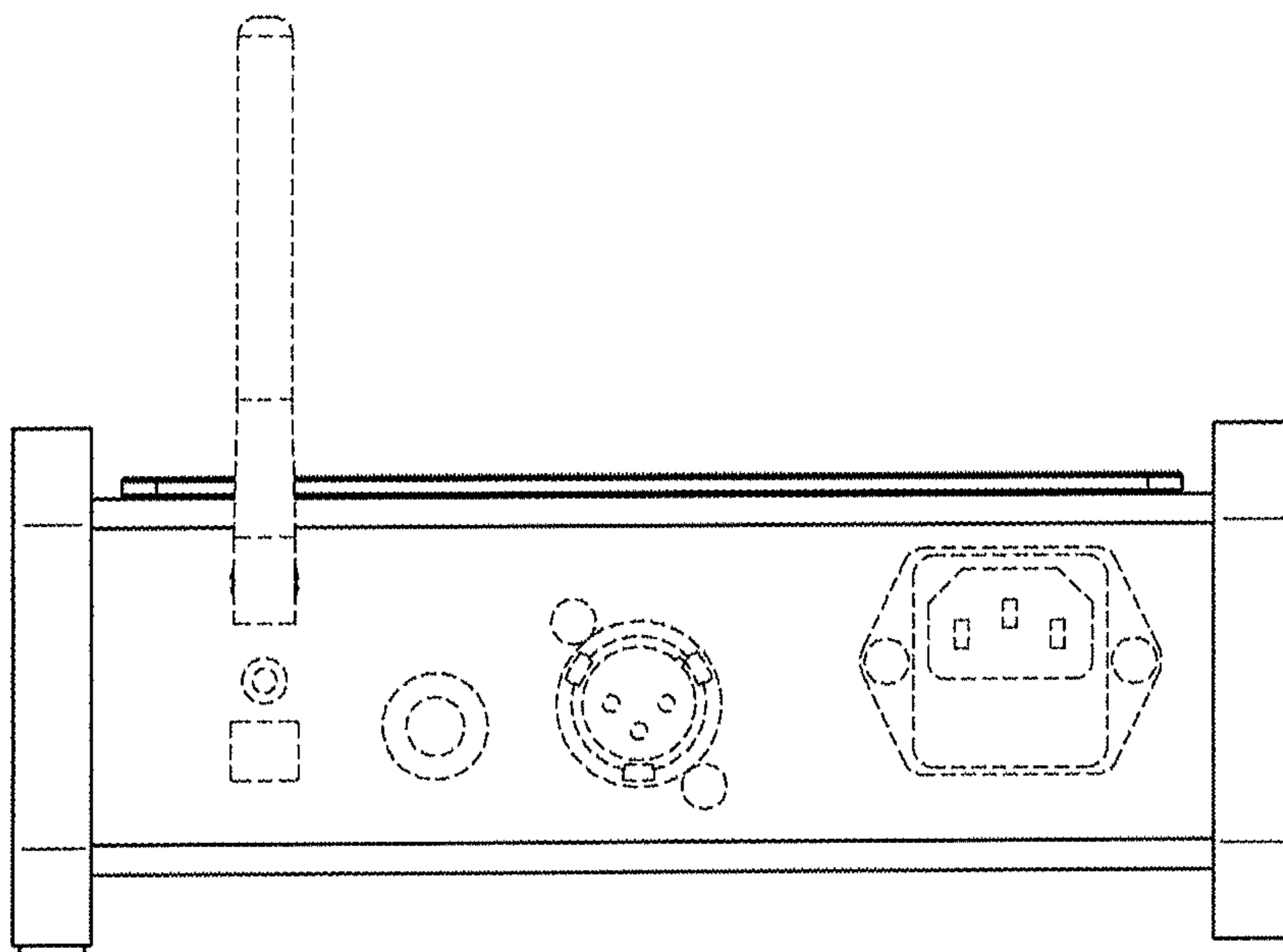


FIG. 4

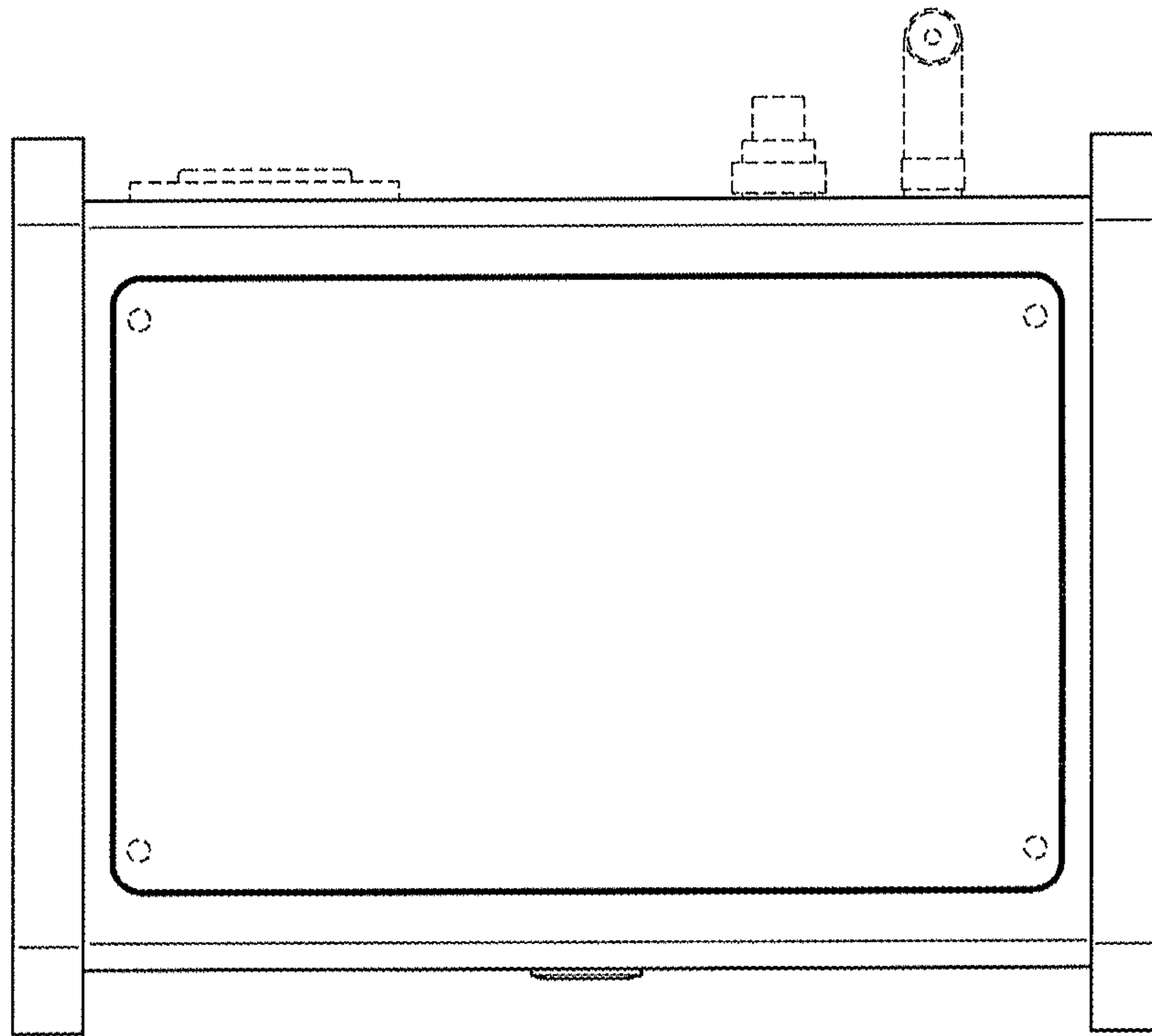


FIG. 5

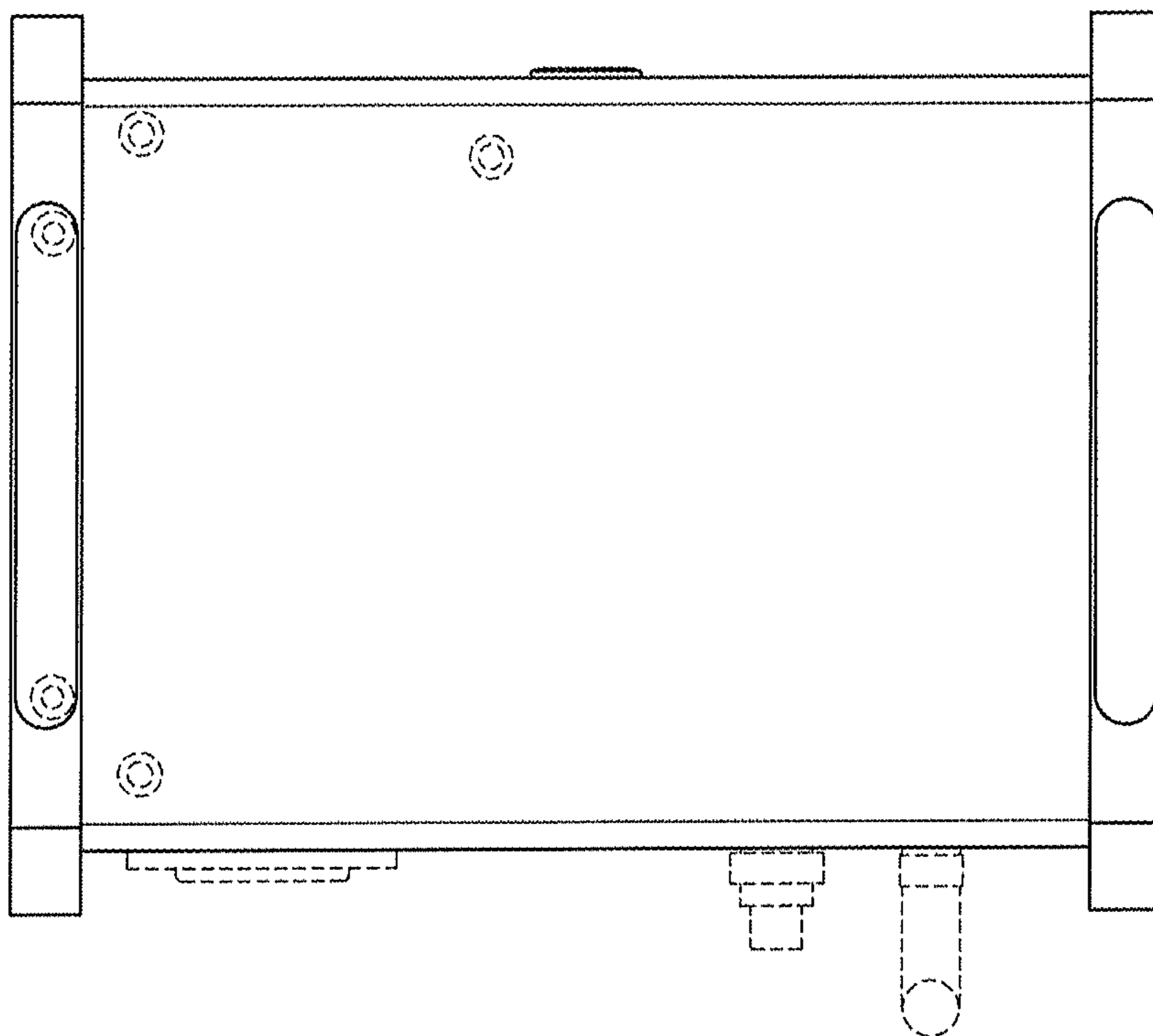


FIG. 6

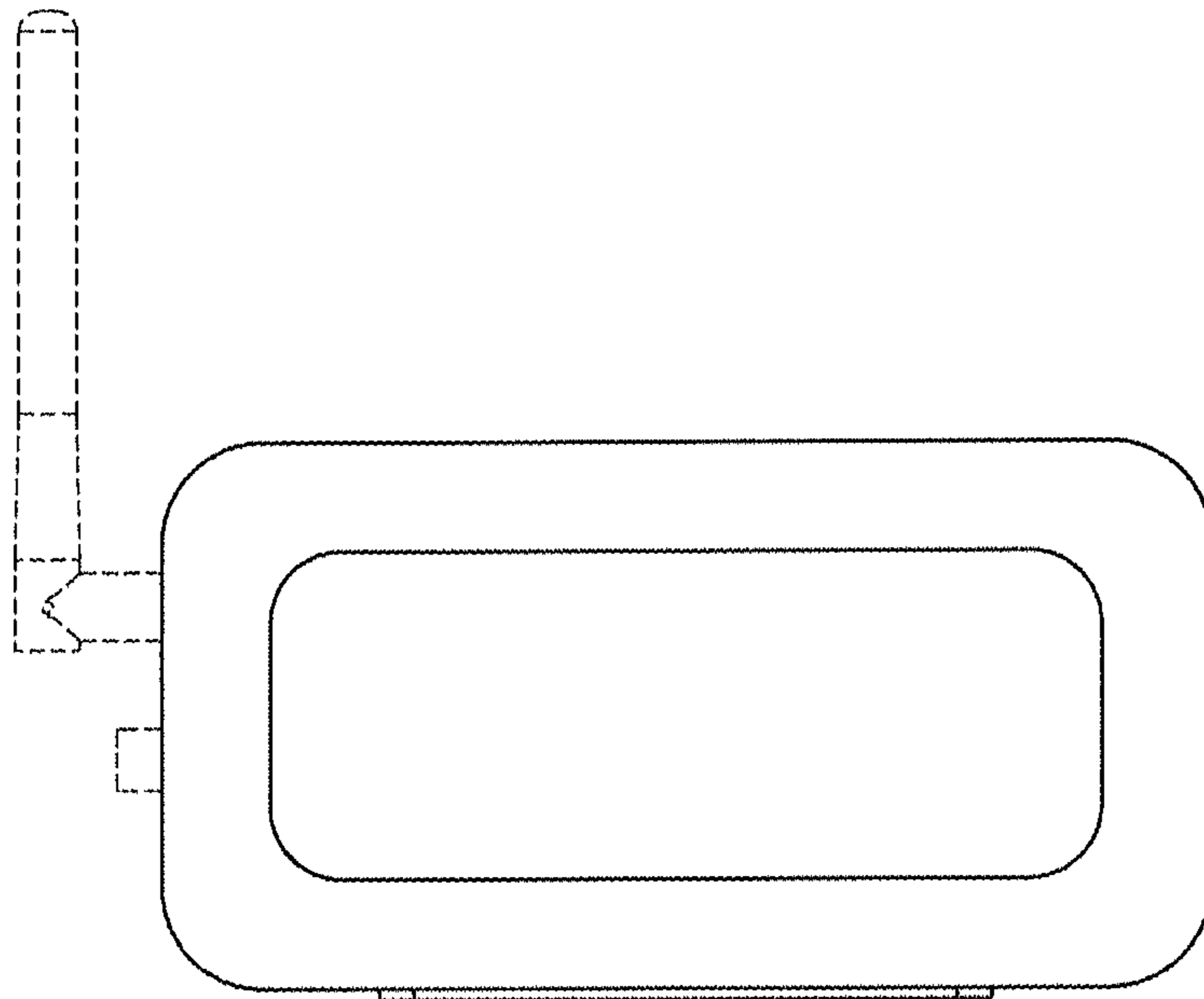


FIG. 7

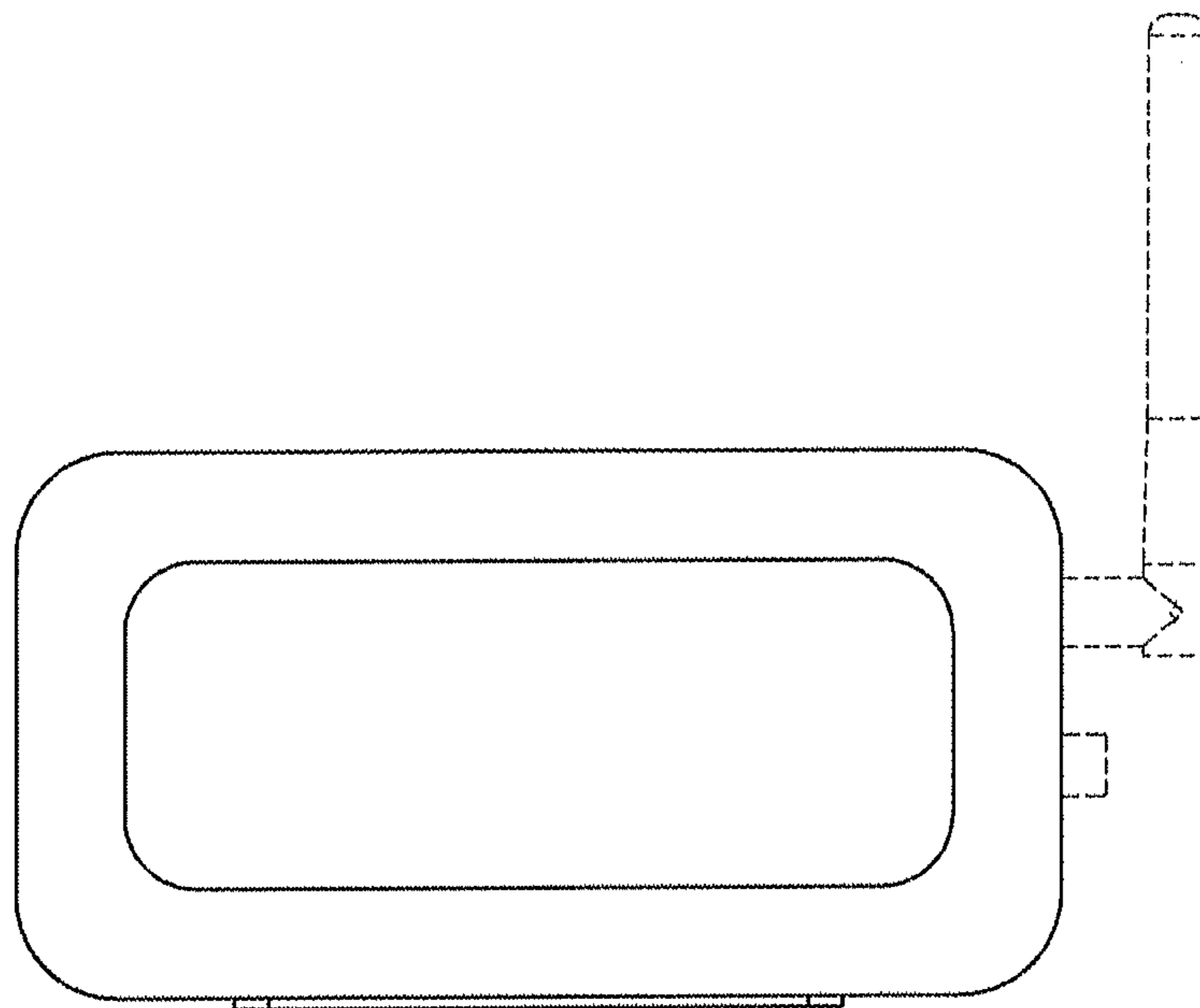


FIG. 8