



US00D877723S

(12) **United States Design Patent** (10) **Patent No.:** **US D877,723 S**
Keyrouz et al. (45) **Date of Patent:** **** Mar. 10, 2020**

(54) **ANTENNA** D658,639 S * 5/2012 Huang D14/230
D659,685 S * 5/2012 Huang D14/230
(71) Applicant: **THE ANTENNA COMPANY,** D747,297 S * 1/2016 He D14/230
Eindhoven (NL) D766,882 S * 9/2016 Schulteis D14/230
D766,884 S * 9/2016 Zheng D14/240
(72) Inventors: **Shady Keyrouz,** Eindhoven (NL); D781,823 S * 3/2017 Chang D14/230
Carlos Moreno De Jong Van D784,965 S * 4/2017 Chang D14/230
Coevorden, Eindhoven (NL); **Martijn** D788,082 S * 5/2017 Zheng D14/230
Tijssen, Eindhoven (NL); **Diego** D791,745 S * 7/2017 Gosalia D14/230
Caratelli, Duizel (NL) D798,845 S * 10/2017 Nair H01Q 1/48
D14/230
D826,910 S * 8/2018 Zhao D14/230
D849,725 S * 5/2019 He D14/230
(73) Assignee: **THE ANTENNA COMPANY,** 2009/0146906 A1 * 6/2009 Anguera Pros H01Q 5/371
Eindhoven (NL) 343/906

(**) Term: **15 Years**

* cited by examiner

(21) Appl. No.: **29/679,342**

Primary Examiner — John Windmuller

(22) Filed: **Feb. 5, 2019**

(74) *Attorney, Agent, or Firm* — Innovation Capital Law Group, LLP; Vic Lin

(51) **LOC (12) Cl.** **14-03**

(52) **U.S. Cl.**
USPC **D14/230**

(57) **CLAIM**

(58) **Field of Classification Search**
USPC D14/138, 230–238, 299, 358; D12/42, D12/43

The ornamental design for an antenna, as shown and described.

CPC H01Q 7/00; H01Q 13/10; H01Q 9/285;
H01Q 19/30; H01Q 19/12; H01Q 1/38;
H01Q 1/36; H01Q 2/0027; H01Q 1/48;
H01Q 9/045; H01Q 1/243; H04B 1/0475;
H04B 1/034; H05K 11/00

DESCRIPTION

See application file for complete search history.

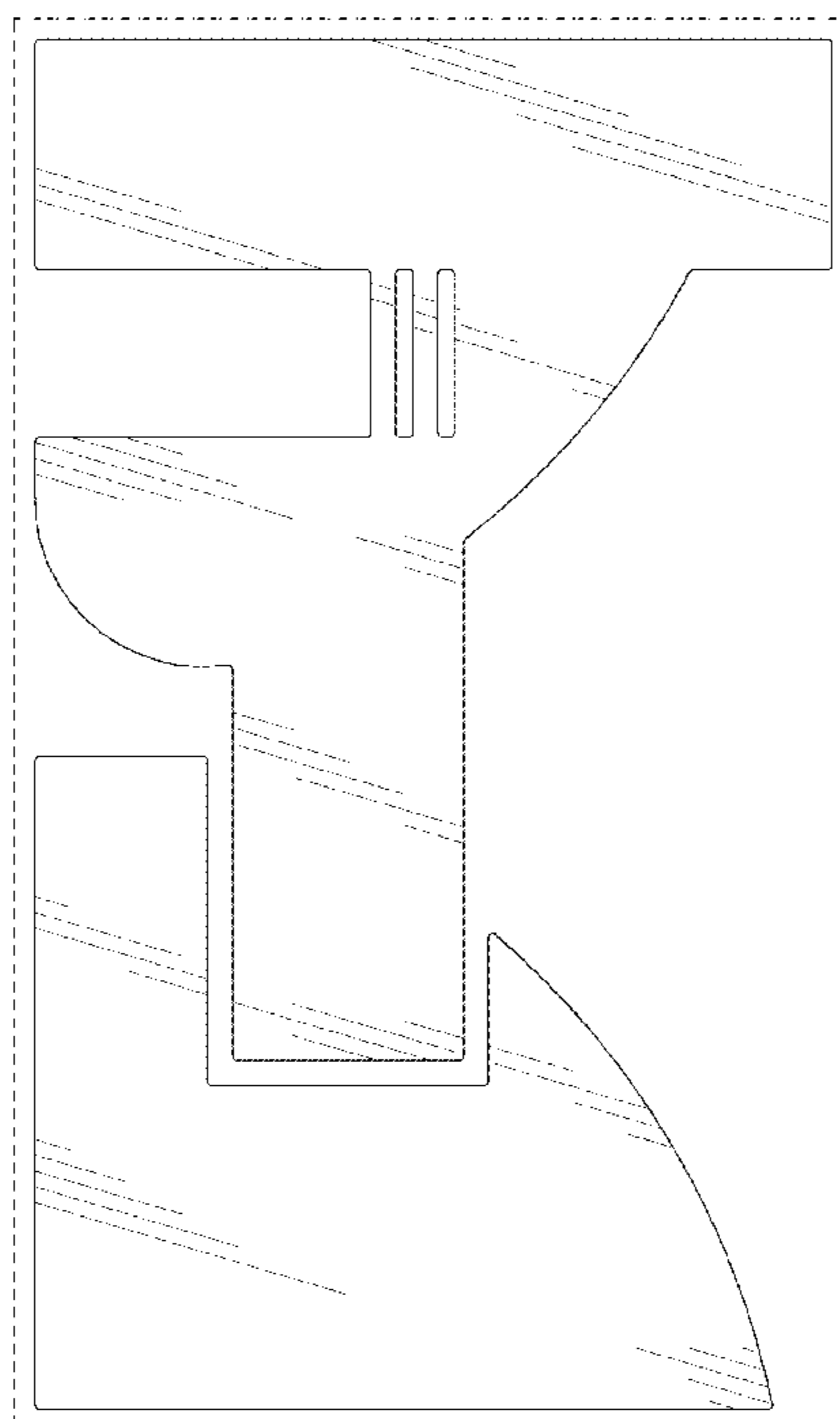
FIG. 1 is a front elevation view of an antenna;
FIG. 2 is a rear elevation view thereof; and,
FIG. 3 is a front perspective view thereof.
The broken line portion of the figures is included to show unclaimed subject matter only and forms no part of the claimed design.

(56) **References Cited**

U.S. PATENT DOCUMENTS

1 Claim, 3 Drawing Sheets

D649,962 S * 12/2011 Tseng D14/230
D654,061 S * 2/2012 Tseng D14/230



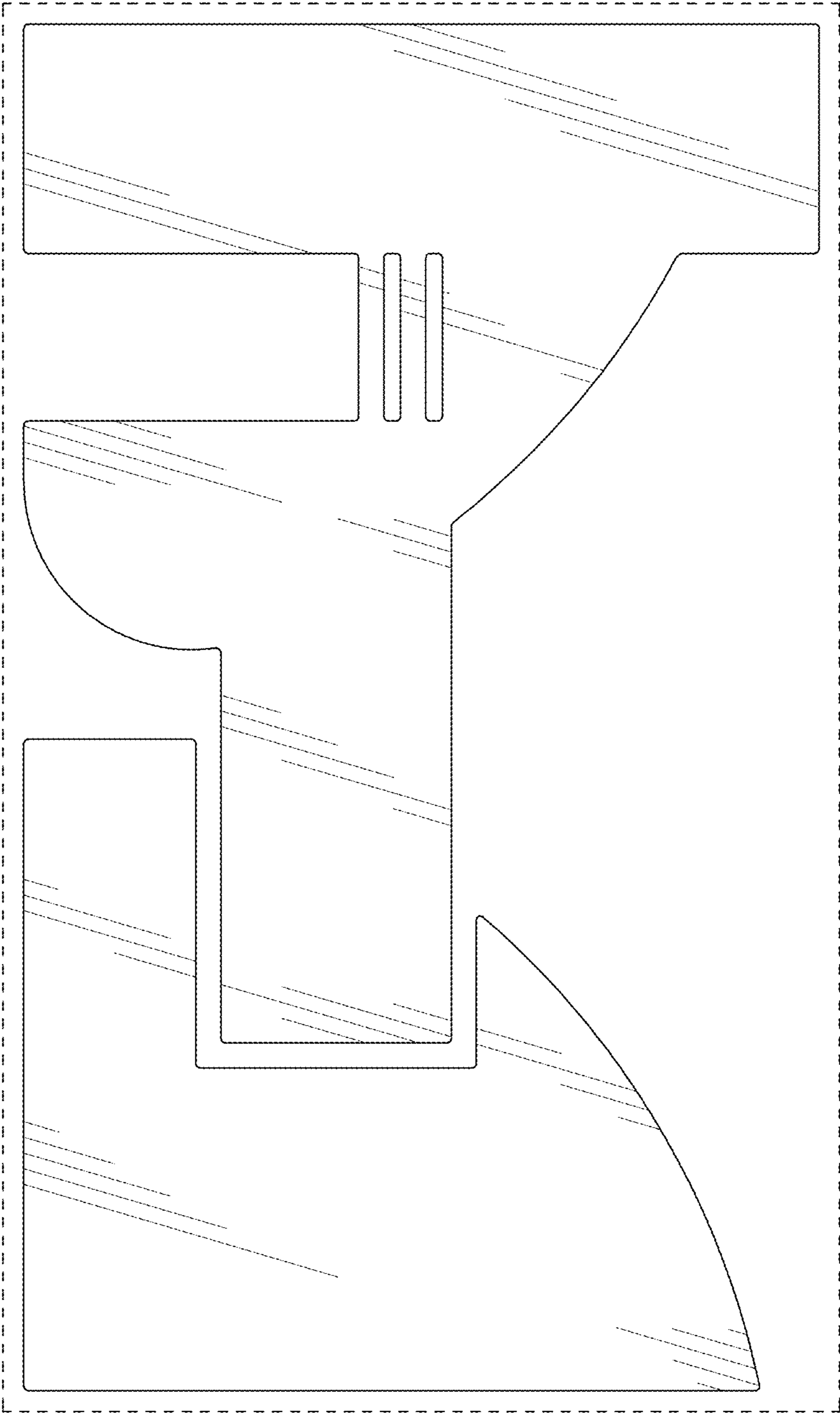


FIG. 1



FIG. 2

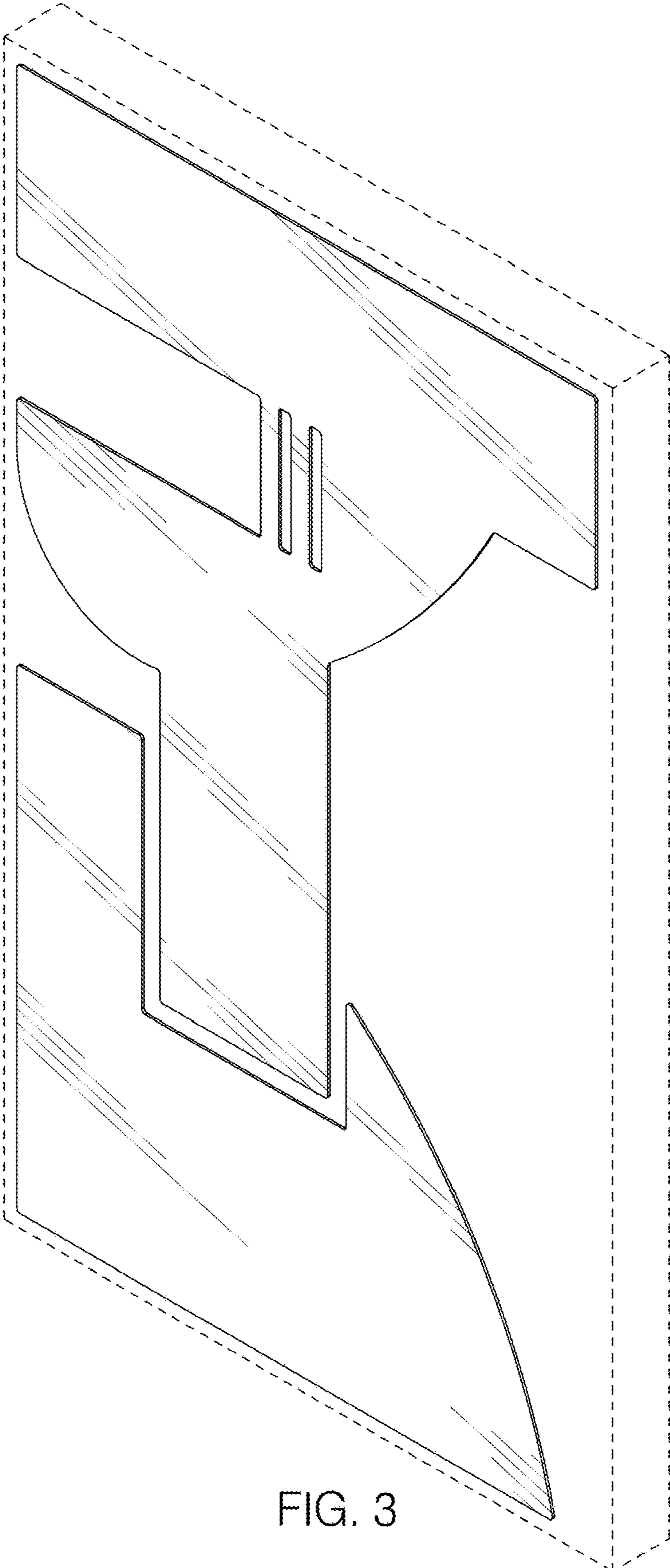


FIG. 3