



US00D877722S

(12) **United States Design Patent**
Yang

(10) **Patent No.:** **US D877,722 S**
(45) **Date of Patent:** **** Mar. 10, 2020**

- (54) **WIRELESS EARBUD**
- (71) Applicant: **Shenzhen Ginto E-Commerce Co., Limited**, Shenzhen (CN)
- (72) Inventor: **Yong Yang**, Shenzhen (CN)
- (73) Assignee: **SHENZHEN GINTO E-COMMERCE CO., LIMITED**, Shenzhen (CN)
- (**) Term: **15 Years**
- (21) Appl. No.: **29/690,217**
- (22) Filed: **May 7, 2019**

D340,932 S *	11/1993	Yan	D14/249
D353,379 S *	12/1994	Nakamura	D14/223
5,410,608 A *	4/1995	Lucey	H04R 1/083 381/360
D448,359 S *	9/2001	Do	D14/223
D469,753 S *	2/2003	Andre	D14/205
6,574,345 B1 *	6/2003	Huang	H04R 1/1016 379/430
D487,077 S *	2/2004	Obata	D14/223
D499,397 S *	12/2004	Hlas	D14/223
D512,049 S *	11/2005	Yang	D14/205
D537,812 S *	3/2007	Erich	D14/206
D538,784 S *	3/2007	Eklund	D14/205
D554,109 S *	10/2007	Ledbetter	D14/223
D555,152 S *	11/2007	Wang	D14/223
D557,689 S *	12/2007	Huang	D14/223

(Continued)

(30) **Foreign Application Priority Data**

Apr. 30, 2019 (CN) 2019 3 0209342

(51) **LOC (12) Cl.** **14-01**

(52) **U.S. Cl.**
USPC **D14/223**; D14/205

(58) **Field of Classification Search**
USPC D14/223, 205; D24/174; 128/864, 865,
128/866; 181/129, 130, 135; 379/430,
379/431; 381/380, 381, 322, 330, 324,
381/323; 455/90.3, 575.1, 569.1
CPC H04R 1/10; H04R 25/00; H04R 1/1016;
H04R 1/1066; H04R 5/033; H04R
5/0335; H04R 1/105; H04R 1/1058;
H04R 1/1091; H04R 1/1041; H04R
1/1083

See application file for complete search history.

(56) **References Cited**

U.S. PATENT DOCUMENTS

1,406,510 A *	2/1922	Weber	H04R 1/1016 381/380
D318,864 S *	8/1991	Daido	D14/205
D331,061 S *	11/1992	Hyohgo	D14/223

FOREIGN PATENT DOCUMENTS

CN	305147973	*	5/2019
CN	305412670	*	11/2019

(Continued)

Primary Examiner — Paula Allen Greene

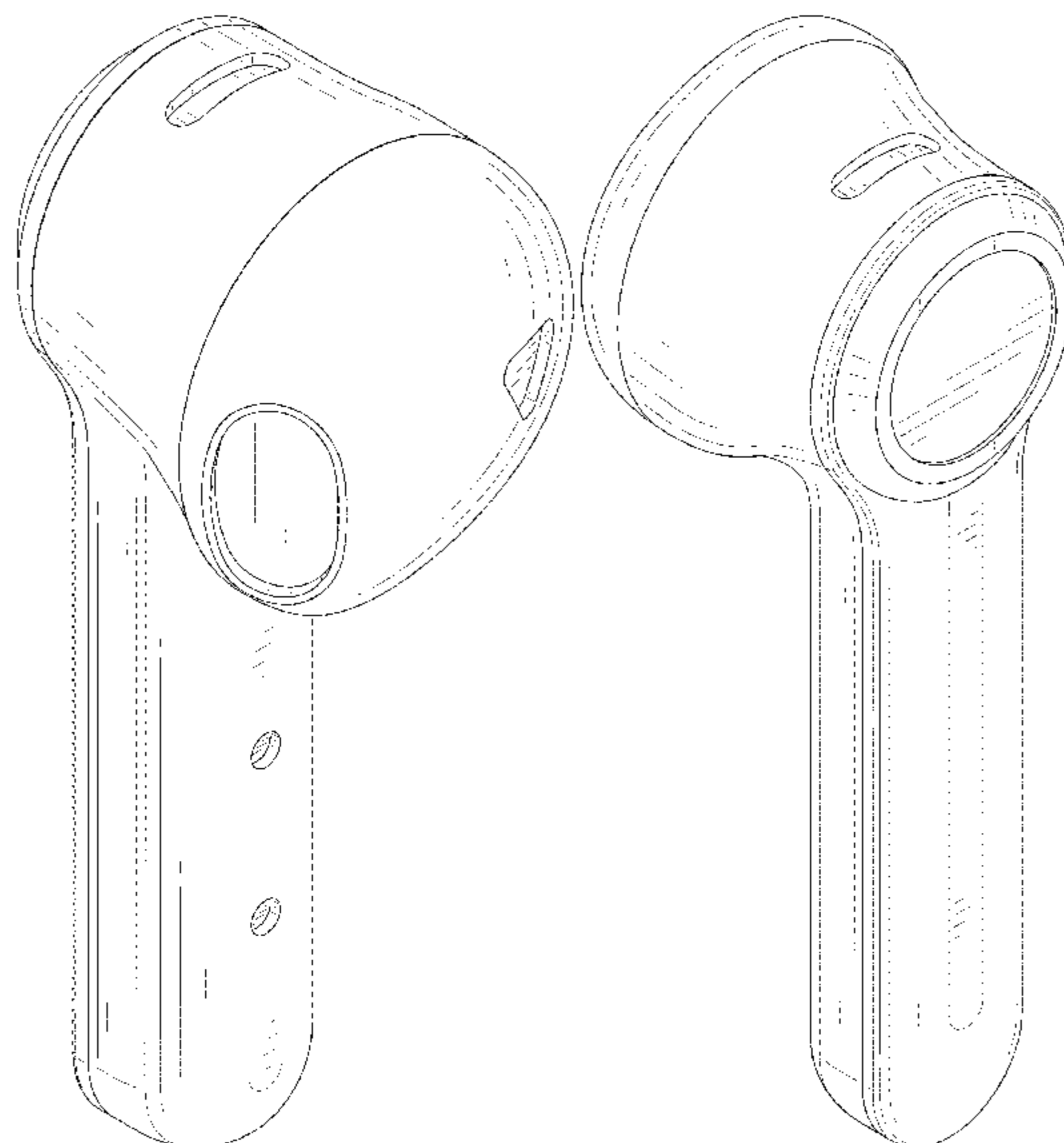
(57) **CLAIM**

The ornamental design for a wireless earbud, as shown and described.

DESCRIPTION

FIG. 1 is a perspective, view of the wireless earbud showing my new design;
 FIG. 2 is another perspective view thereof;
 FIG. 3 is a front elevational view thereof;
 FIG. 4 is a rear elevational view thereof;
 FIG. 5 is a left side elevational view thereof;
 FIG. 6 is a right side elevational view thereof;
 FIG. 7 is a top plan view thereof; and,
 FIG. 8 is a bottom plan view thereof.
 The broken lines illustrate portions of the wireless earbud that form no part of the claimed design.

1 Claim, 8 Drawing Sheets



(56)

References Cited

U.S. PATENT DOCUMENTS

D572,242 S * 7/2008 Yang D14/205
 D573,977 S * 7/2008 Ledbetter D14/205
 D573,978 S * 7/2008 Ledbetter D14/205
 D575,269 S * 8/2008 Ledbetter D14/205
 D576,154 S * 9/2008 Ledbetter D14/223
 D583,804 S * 12/2008 Mahler D14/223
 D598,901 S * 8/2009 Lee D14/223
 D599,781 S * 9/2009 Lee D14/205
 D626,117 S * 10/2010 Lowry D14/223
 D641,738 S * 7/2011 Perez D14/223
 D653,235 S * 1/2012 McManigal D14/205
 D660,290 S * 5/2012 Weedon D14/223
 D671,531 S * 11/2012 Kim D14/223
 D679,267 S * 4/2013 Lee D14/223
 D681,015 S * 4/2013 Akana H04R 1/1016
 D14/223
 D707,205 S * 6/2014 Wenger H04R 25/00
 D14/223
 D707,652 S * 6/2014 Brunner H04R 1/1016
 D14/205
 8,831,266 B1 * 9/2014 Huang H04R 1/1091
 381/380
 D718,284 S * 11/2014 Shibusawa D14/223
 D718,286 S * 11/2014 Yang D14/223
 D733,101 S * 6/2015 Pi D14/223
 D733,689 S * 7/2015 Narita D14/223
 D738,864 S * 9/2015 Lee D14/223
 D741,287 S * 10/2015 Harata D14/205
 D742,859 S * 11/2015 Miyake D14/223
 D757,682 S * 5/2016 Perez D14/205

D762,616 S * 8/2016 Hsieh D14/205
 D762,623 S * 8/2016 Gondo D14/223
 D770,412 S * 11/2016 Son D14/205
 D772,844 S * 11/2016 Ott D14/205
 D773,435 S * 12/2016 Ott D14/205
 D801,314 S * 10/2017 Akana D14/223
 D810,047 S * 2/2018 Tzeng D14/205
 D812,038 S * 3/2018 Nakajima D14/205
 D813,849 S * 3/2018 Andreen D14/223
 D820,809 S * 6/2018 Akana D14/205
 D830,336 S * 10/2018 Cai D14/205
 D832,823 S * 11/2018 Xiao D14/223
 D832,824 S * 11/2018 Kim D14/223
 D847,125 S * 4/2019 Akana D14/223
 D848,980 S 5/2019 Kim et al.
 D848,982 S 5/2019 Kim et al.
 D861,647 S * 10/2019 Chen D14/223
 D869,445 S * 12/2019 Hu D14/223
 2012/0237074 A1 * 9/2012 Aase H04R 1/1016
 381/380
 2012/0275635 A1 * 11/2012 Chen H04R 1/1075
 381/380
 2016/0206222 A1 * 7/2016 Liu A61B 5/024
 2017/0164087 A1 * 6/2017 Kurtz H04R 1/1091
 2018/0167713 A1 * 6/2018 Chou H04R 25/652
 2019/0373354 A1 * 12/2019 Sondergaard H04R 1/1058

FOREIGN PATENT DOCUMENTS

CN 305419475 * 11/2019
 JP D1634725 * 5/2019

* cited by examiner

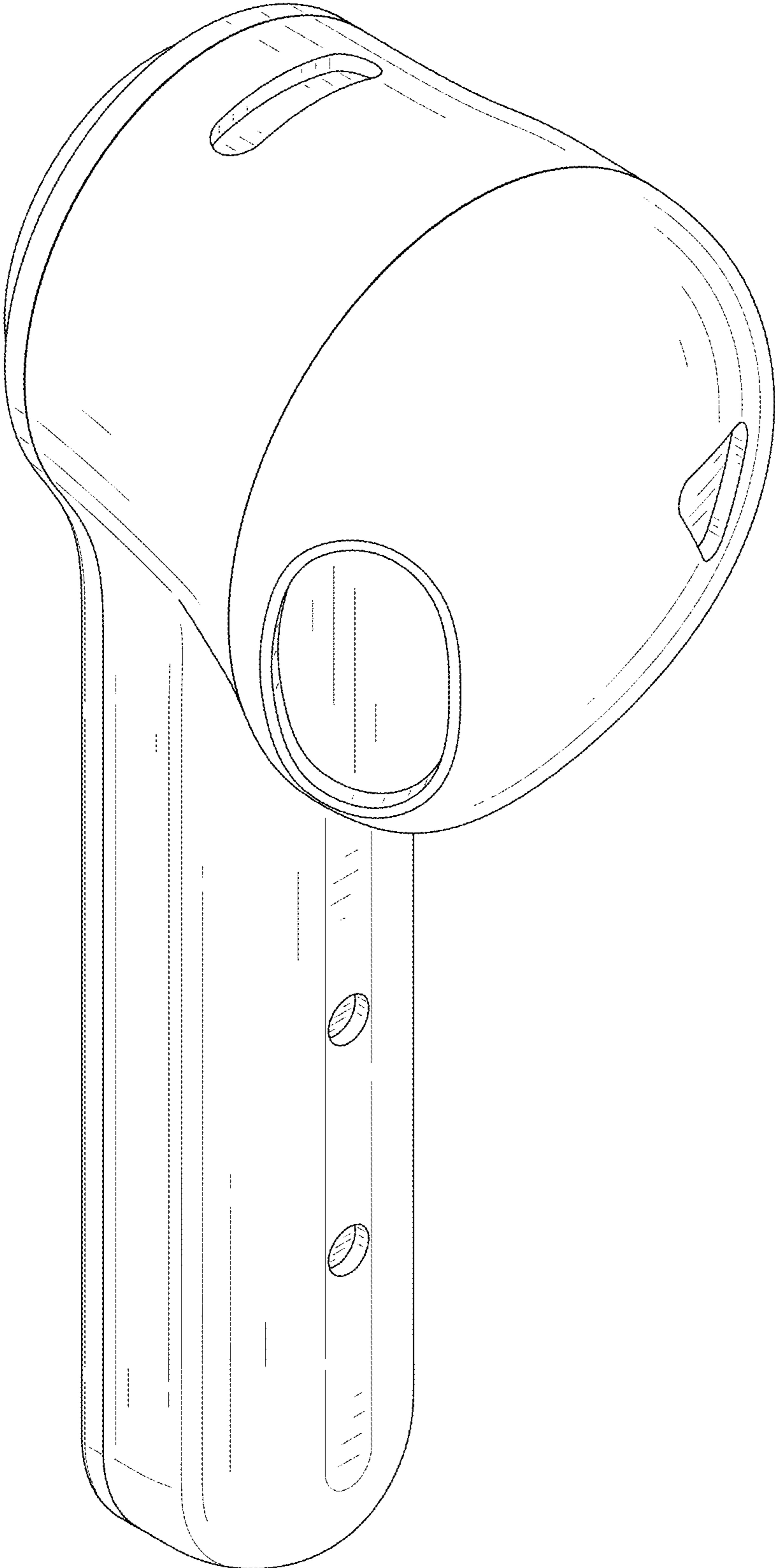


FIG. 1

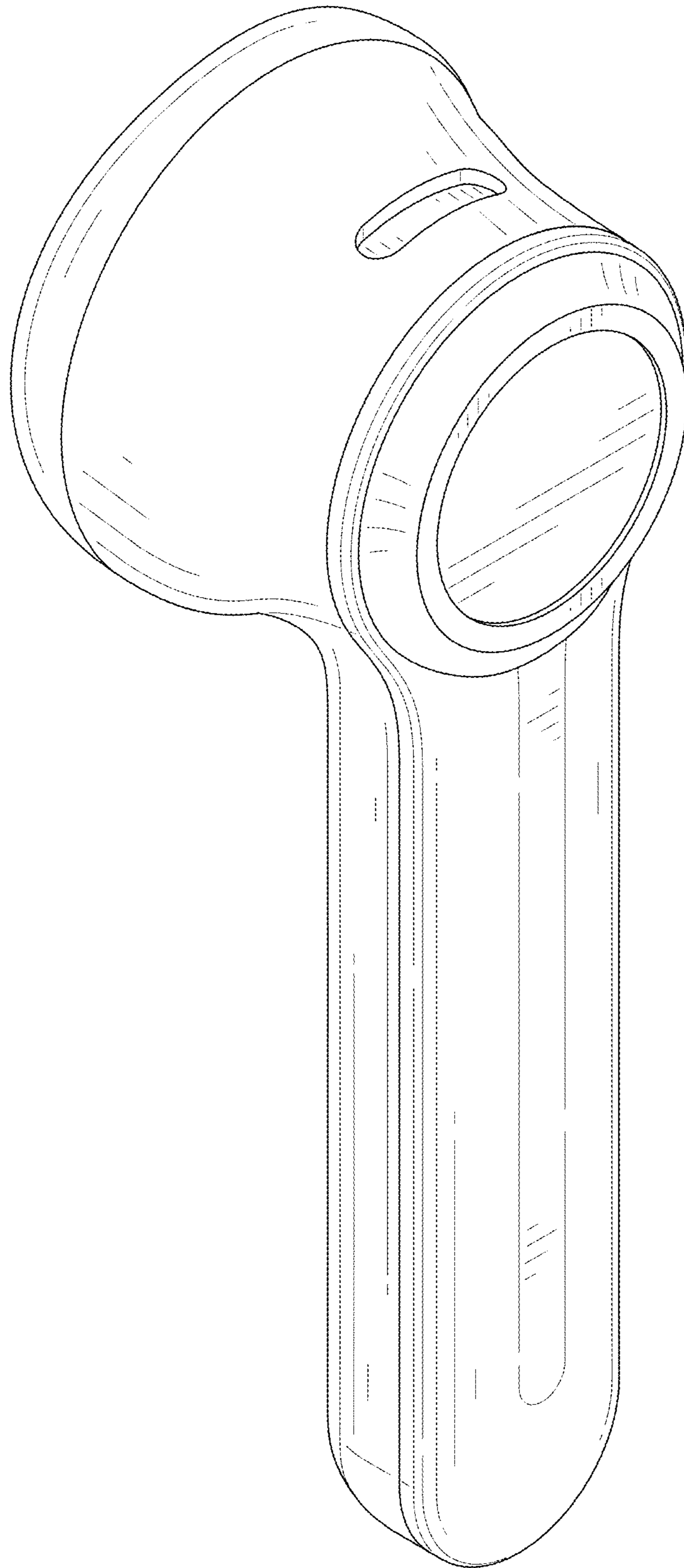


FIG. 2

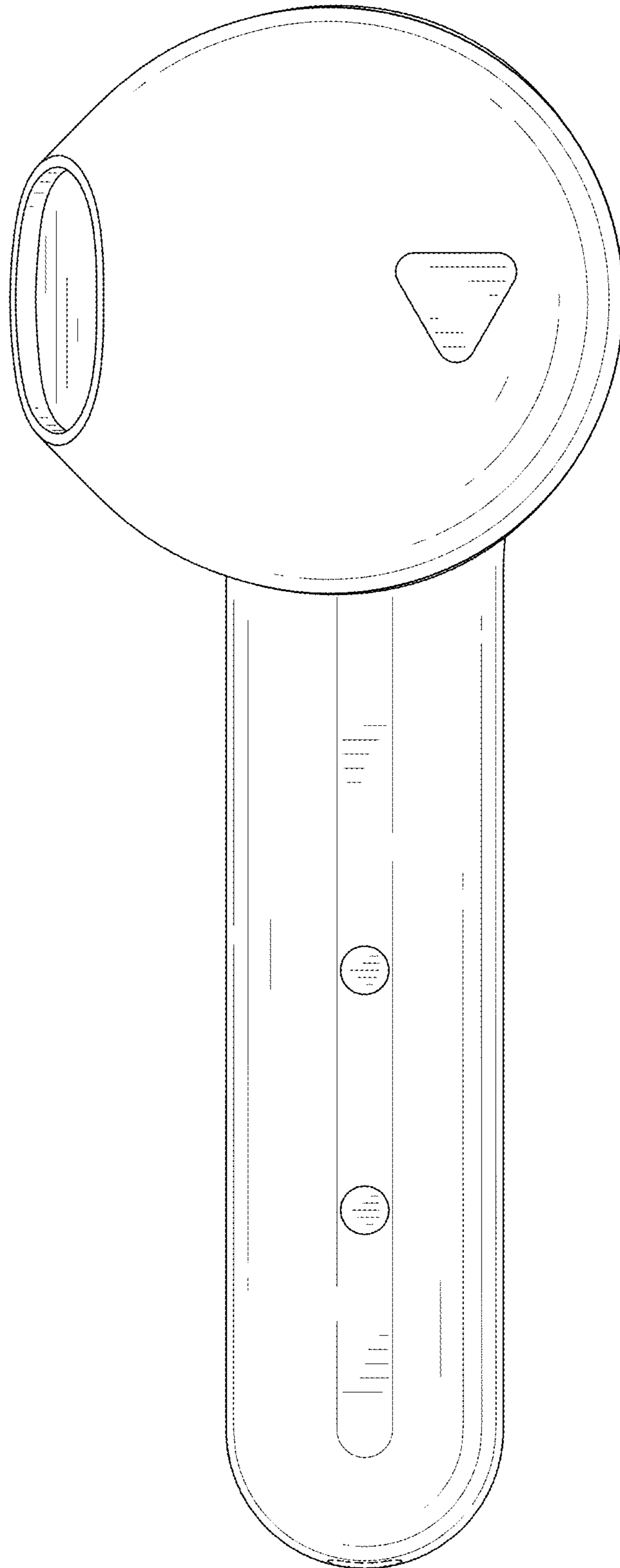


FIG. 3

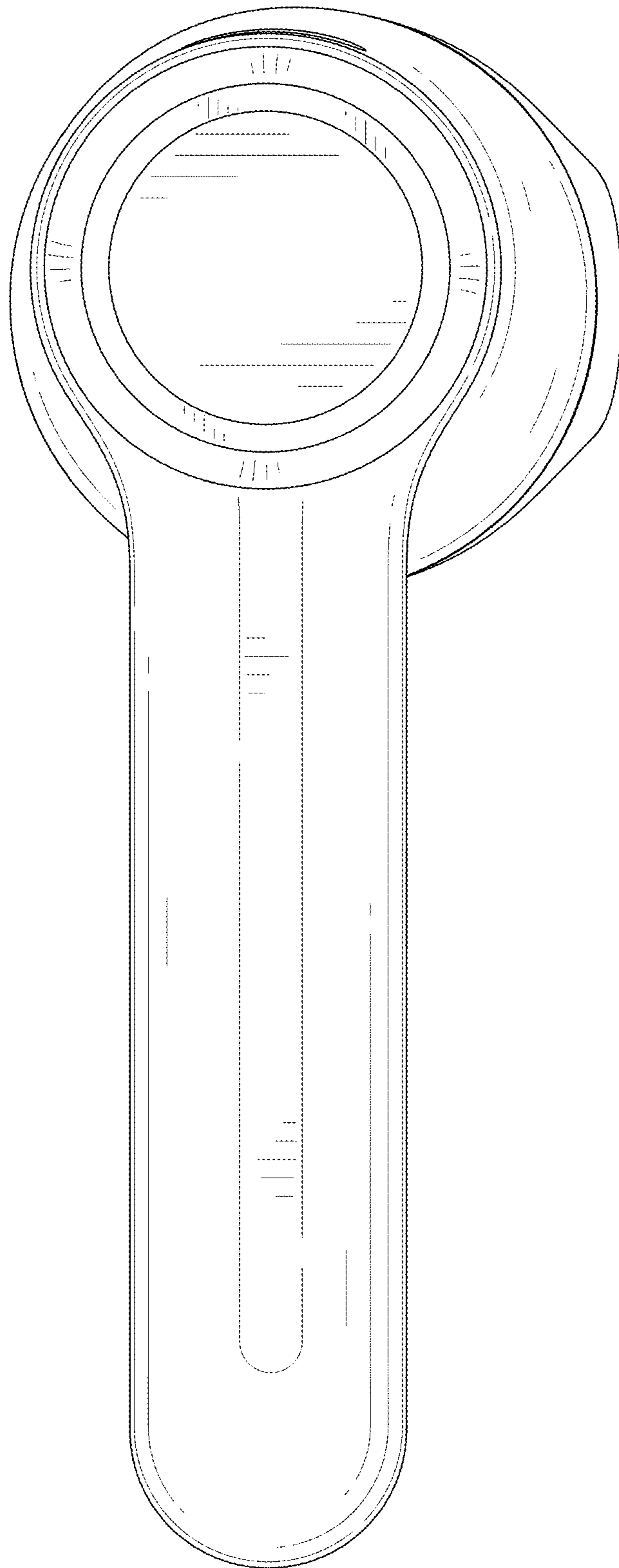


FIG. 4

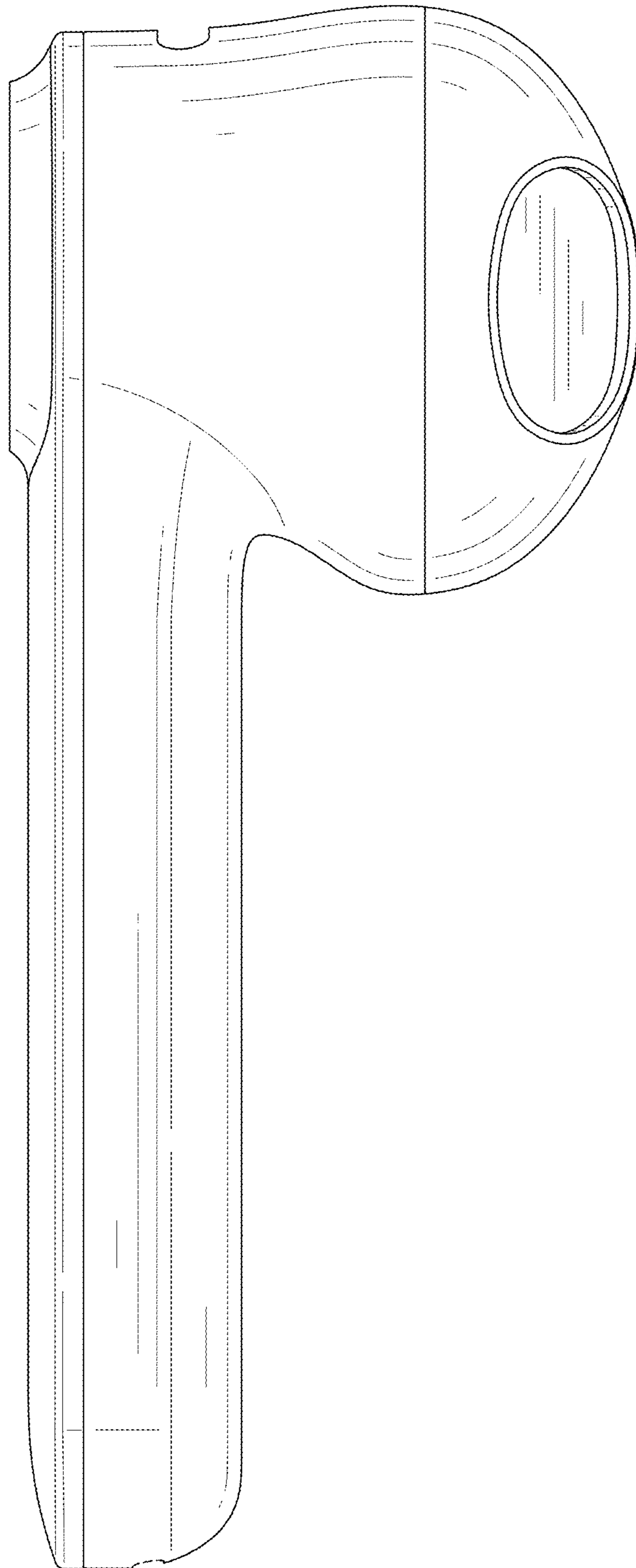


FIG. 5

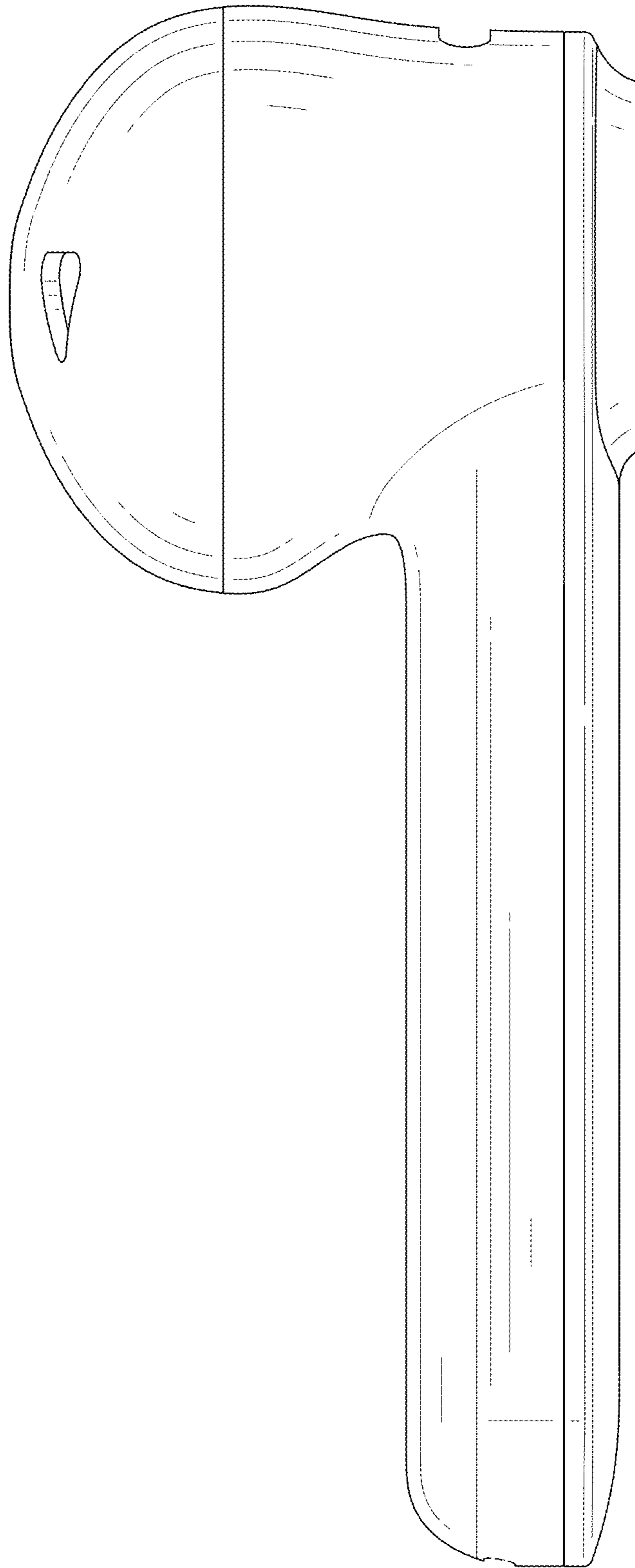


FIG. 6

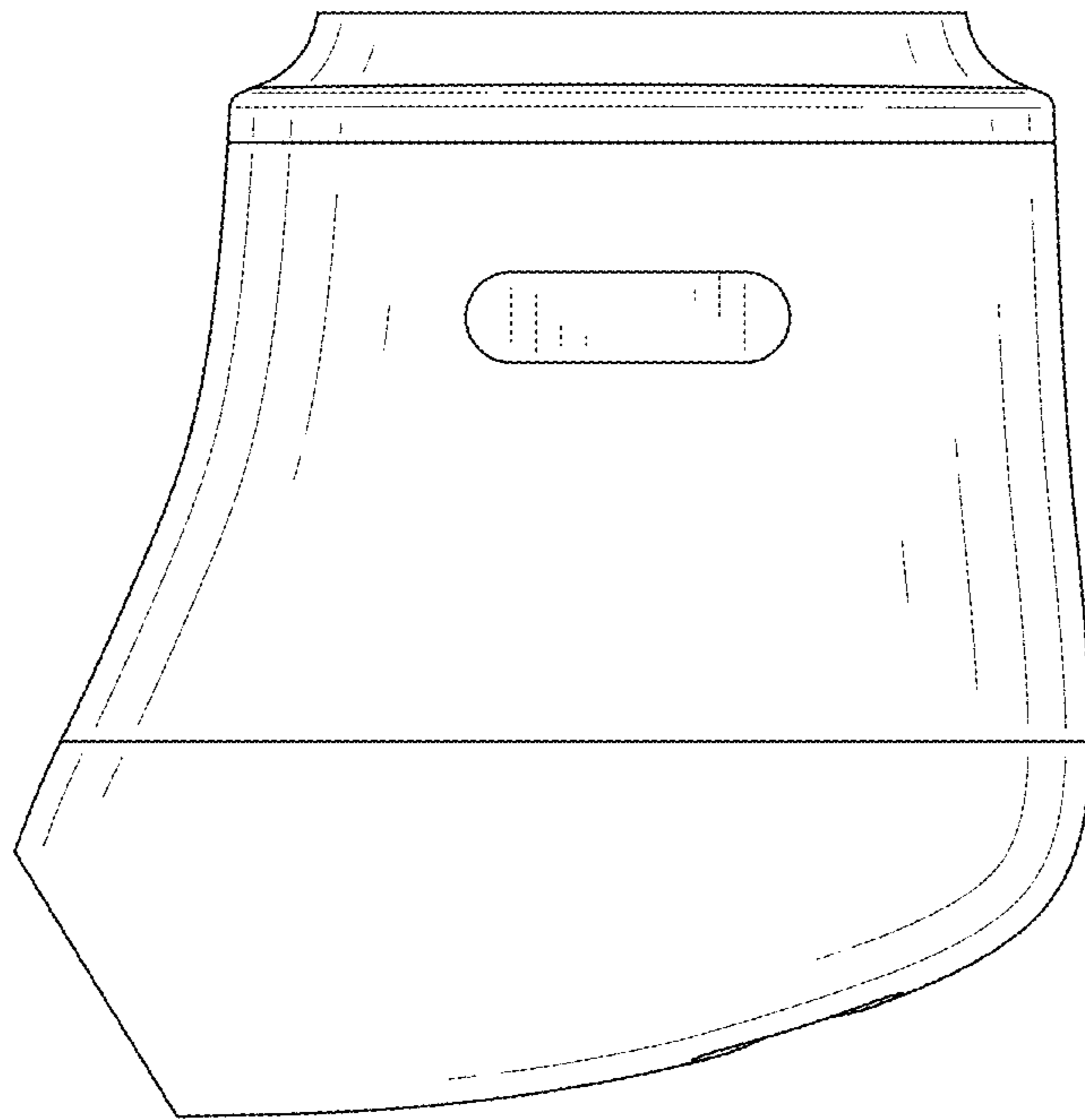


FIG. 7

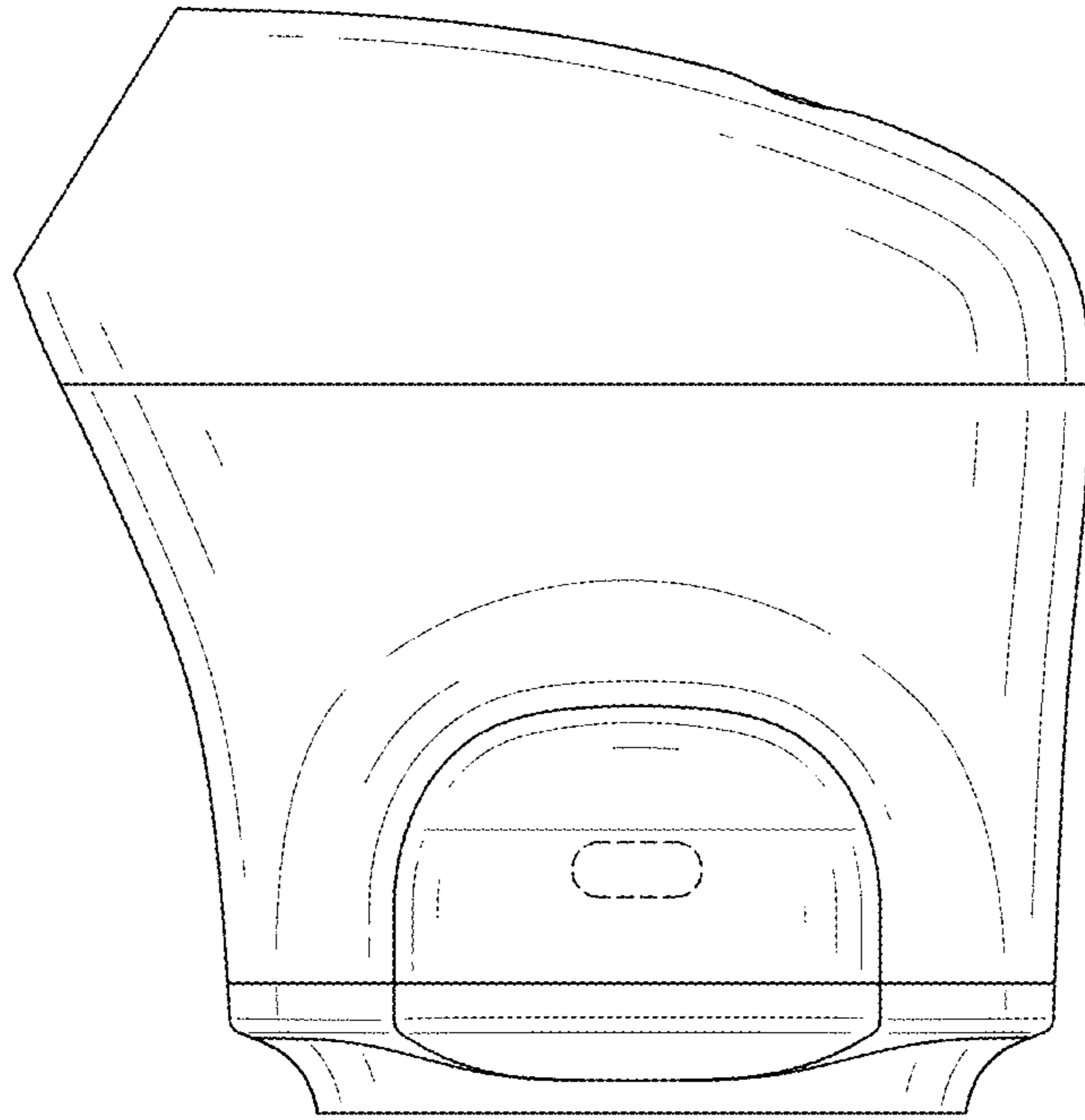


FIG. 8