



US00D877720S

(12) **United States Design Patent**
Madramotoo et al.

(10) **Patent No.:** **US D877,720 S**
(45) **Date of Patent:** **** Mar. 10, 2020**

(54) **PAIR OF IN-EAR APPLIANCES**

(71) Applicant: **Earos, Inc.**, New York, NY (US)

(72) Inventors: **Ronnie Andre Madramotoo**, New York, NY (US); **Peter Ragonetti**, Brooklyn, NY (US); **Wayne J. Staab**, Dammeron Valley, UT (US); **John G. Aceti**, New Hope, PA (US); **Francis George Tatu**, Somerset, NJ (US)

(73) Assignee: **EAROS, INC.**, New York, NY (US)

(**) Term: **15 Years**

(21) Appl. No.: **29/650,421**

(22) Filed: **Jun. 6, 2018**

(51) **LOC (12) Cl.** **14-01**

(52) **U.S. Cl.**
USPC **D14/223**

(58) **Field of Classification Search**
USPC D14/223, 205; D24/174; 128/864, 865, 128/866; 181/129, 130, 135; 379/430,
(Continued)

(56) **References Cited**

U.S. PATENT DOCUMENTS

D207,206 S * 3/1967 Geib D24/174
D298,356 S * 11/1988 Falco D24/106
(Continued)

Primary Examiner — Paula Allen Greene

(74) *Attorney, Agent, or Firm* — Cooley LLP

(57) **CLAIM**

The ornamental design for pair of in-ear appliances, as shown and described.

DESCRIPTION

FIG. 1A is a front view of a left in-ear appliance of a pair of in-ear appliances showing a first embodiment of our new design;

FIG. 1B is a front view of a right in-ear appliance of the pair of in-ear appliances showing the first embodiment of our new design;

FIG. 2A is a rear view of the left in-ear appliance of the first embodiment;

FIG. 2B is a rear view of the right in-ear appliance of the first embodiment;

FIG. 3A is a side view of the left in-ear appliance of the first embodiment;

FIG. 3B is a side view of the right in-ear appliance of the first embodiment;

FIG. 4A is a top view of the left in-ear appliance of the first embodiment;

FIG. 4B is a top view of the right in-ear appliance of the first embodiment;

FIG. 5A is a bottom view of the left in-ear appliance of the first embodiment;

FIG. 5B is a bottom view of the right in-ear appliance of the first embodiment;

FIG. 6A is a top rear perspective view of the left in-ear appliance of the first embodiment;

FIG. 6B is a top rear perspective view of the right in-ear appliance of the first embodiment;

FIG. 7A is a top front perspective view of the left in-ear appliance of the first embodiment;

FIG. 7B is a top front perspective view of the right in-ear appliance of the first embodiment;

FIG. 8A is a front view of a left in-ear appliance of a pair of in-ear appliances showing a second embodiment of our new design;

FIG. 8B is a front view of a right in-ear appliance of the pair of in-ear appliances showing the second embodiment of our new design;

FIG. 9A is a back view of the left in-ear appliance of the second embodiment;

FIG. 9B is a back view of the right in-ear appliance of the second embodiment;

FIG. 10A is a side view of the left in-ear appliance of the second embodiment;

FIG. 10B is a side view of the right in-ear appliance of the second embodiment;

FIG. 11A is a top view of the left in-ear appliance of the second embodiment;

(Continued)

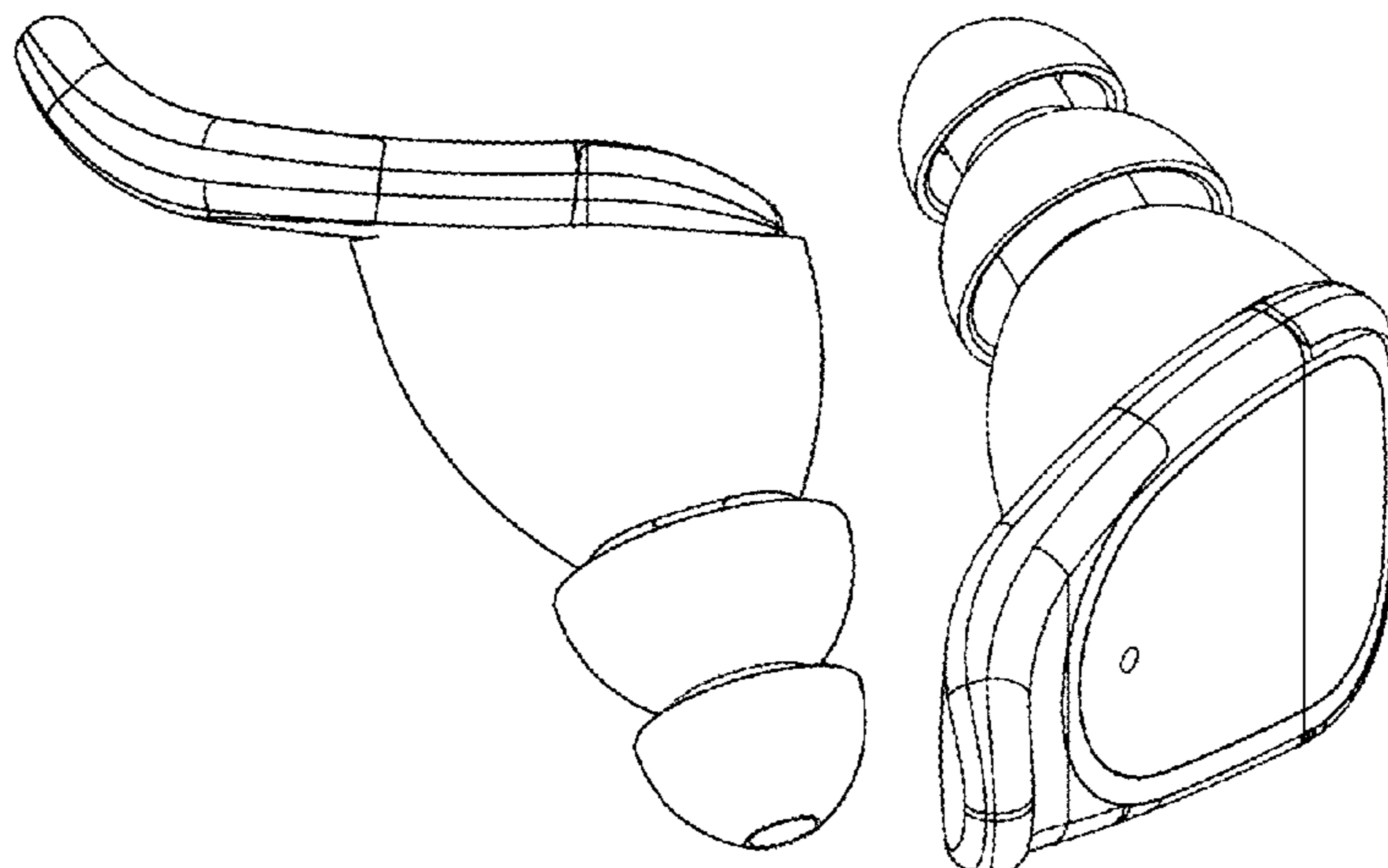


FIG. 11B is a top view of the right in-ear appliance of the second embodiment;
 FIG. 12A is a bottom view of the left in-ear appliance of the second embodiment;
 FIG. 12B is a bottom view of the right in-ear appliance of the second embodiment;
 FIG. 13A is a top rear perspective view of the left in-ear appliance of the second embodiment;
 FIG. 13B is a top rear perspective view of the right in-ear appliance of the second embodiment;
 FIG. 14A is a top front perspective view of the left in-ear appliance of the second embodiment; and,
 FIG. 14B is a top front perspective view of the right in-ear appliance of the second embodiment.

1 Claim, 14 Drawing Sheets

(58) **Field of Classification Search**

USPC 379/431; 381/380, 381, 324, 312, 322,
 381/334, 330; 455/90.3, 575.1, 569.1
 CPC H04R 1/10; H04R 25/00; H04R 25/02;
 H04R 1/1066; H04R 1/1016; H04R
 5/033; H04R 5/0335; A61F 11/08
 See application file for complete search history.

(56) **References Cited**

U.S. PATENT DOCUMENTS

D330,761 S * 11/1992 Falco D24/106
 D479,834 S * 9/2003 Salazar D14/205
 D480,386 S * 10/2003 Browne D14/223
 D496,653 S * 9/2004 Townsend D14/240
 D512,990 S * 12/2005 Yang D14/205
 D536,692 S * 2/2007 Alwicker D14/188
 D549,222 S * 8/2007 Huang A61F 11/08
 D14/223
 D550,657 S * 9/2007 Gan D14/223
 D555,150 S * 11/2007 Christopher D14/223

D559,836 S * 1/2008 Lee D14/223
 D595,272 S * 6/2009 Kim D14/223
 D597,084 S * 7/2009 Gondo D14/223
 D597,534 S * 8/2009 Christopher D14/223
 D604,722 S * 11/2009 Mistry D14/223
 D622,855 S * 8/2010 Cano, Jr. D24/174
 D631,470 S * 1/2011 Yoneyama D14/223
 D652,822 S * 1/2012 Lee D14/223
 D658,157 S * 4/2012 McManigal D14/205
 D666,580 S * 9/2012 Lee D14/223
 D676,026 S * 2/2013 Lee D14/223
 D684,699 S * 6/2013 Heaysman D24/174
 D684,700 S * 6/2013 Heaysman D24/174
 D685,481 S * 7/2013 Heaysman D24/174
 D711,356 S * 8/2014 Yang D14/223
 D728,107 S * 4/2015 Torres Martin D24/174
 D742,861 S * 11/2015 Miyake D14/223
 9,198,800 B2 * 12/2015 Killion H04R 1/1041
 D764,445 S * 8/2016 Czaniecki D14/223
 D767,532 S * 9/2016 Jen D14/205
 D786,216 S * 5/2017 Silva D14/205
 D788,079 S * 5/2017 Son D14/223
 D799,452 S * 10/2017 Lee D14/223
 D801,950 S * 11/2017 Otani D14/223
 D806,879 S * 1/2018 Horbinski D24/174
 D808,360 S * 1/2018 Arimoto D14/205
 D812,042 S * 3/2018 Xiao D14/223
 D813,205 S * 3/2018 Palmborg D14/223
 D817,309 S * 5/2018 Czaniecki D14/223
 D822,646 S * 7/2018 Dang D14/223
 D824,359 S * 7/2018 Czaniecki D14/205
 D827,616 S * 9/2018 Lian D14/223
 D841,626 S * 2/2019 Tang D14/223
 D842,844 S * 3/2019 Li D14/223
 D843,354 S * 3/2019 Kumano D14/223
 D845,932 S * 4/2019 Lu D14/223
 D846,532 S * 4/2019 Xiao D14/223
 D847,126 S * 4/2019 Loermann D14/223
 2009/0304220 A1 * 12/2009 Fujikura H04R 1/1091
 381/380
 2013/0259286 A1 * 10/2013 Chung H04R 1/1016
 381/380
 2017/0026738 A1 * 1/2017 Tang H04R 1/1091

* cited by examiner

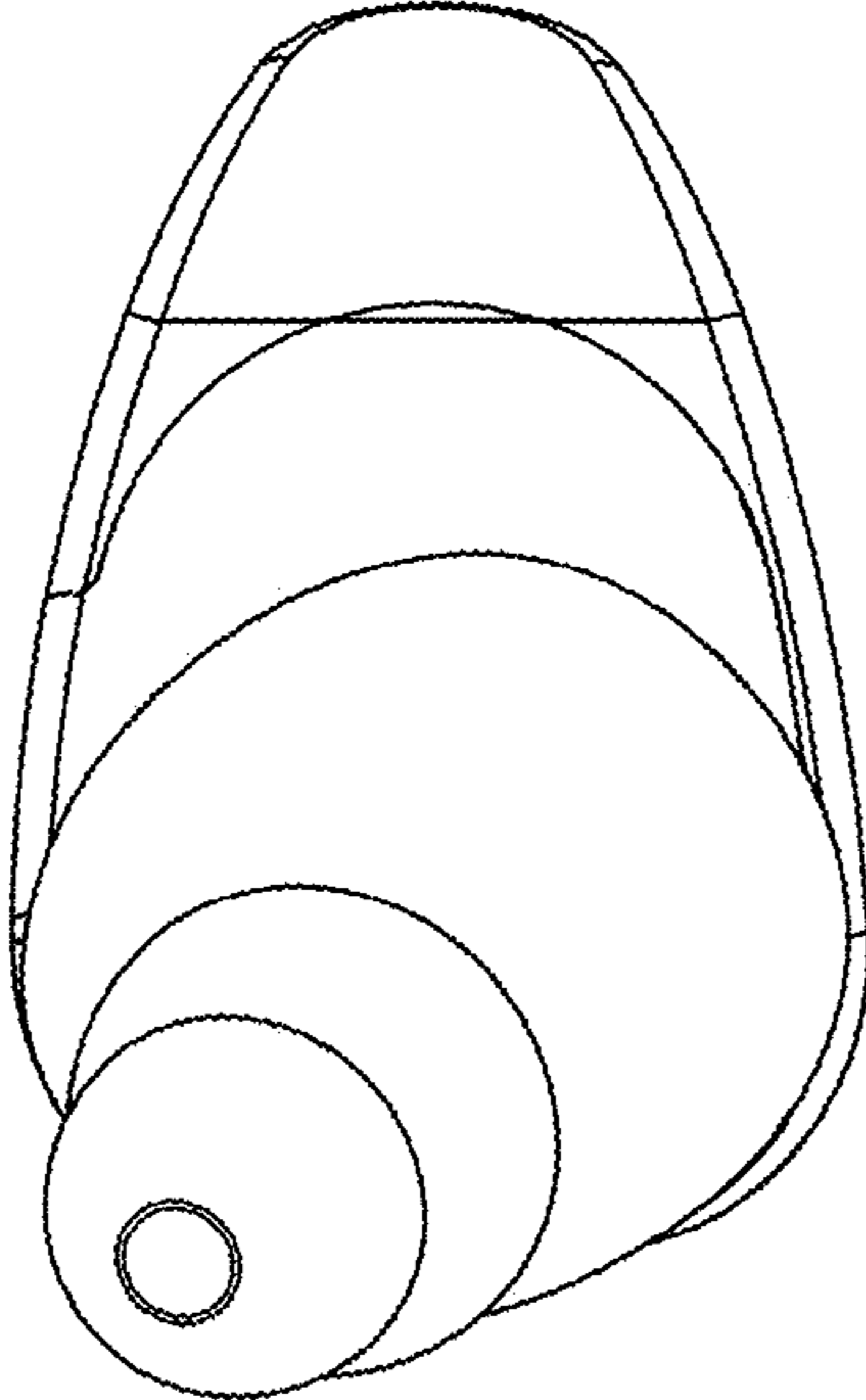


FIG. 1A

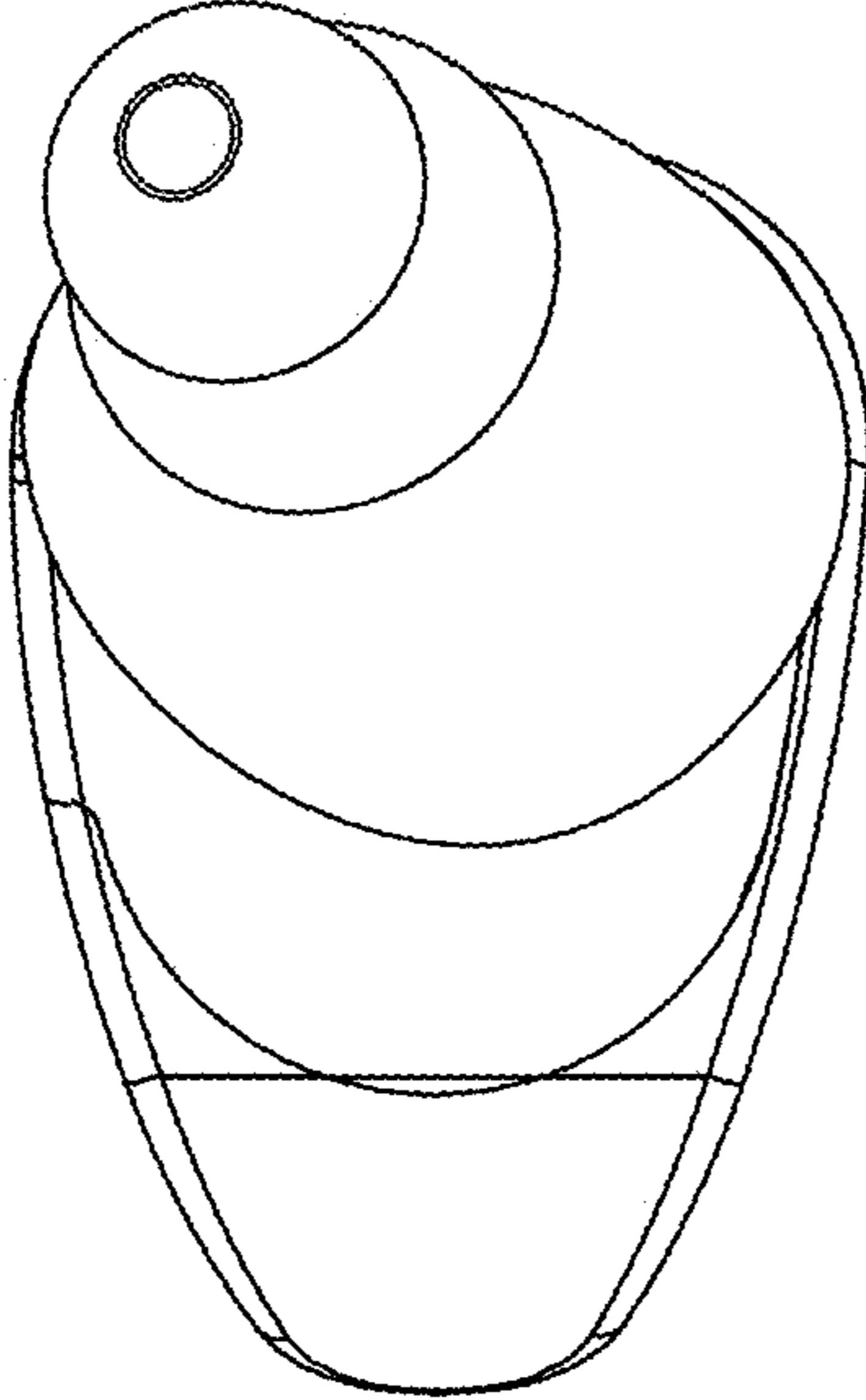


FIG. 1B

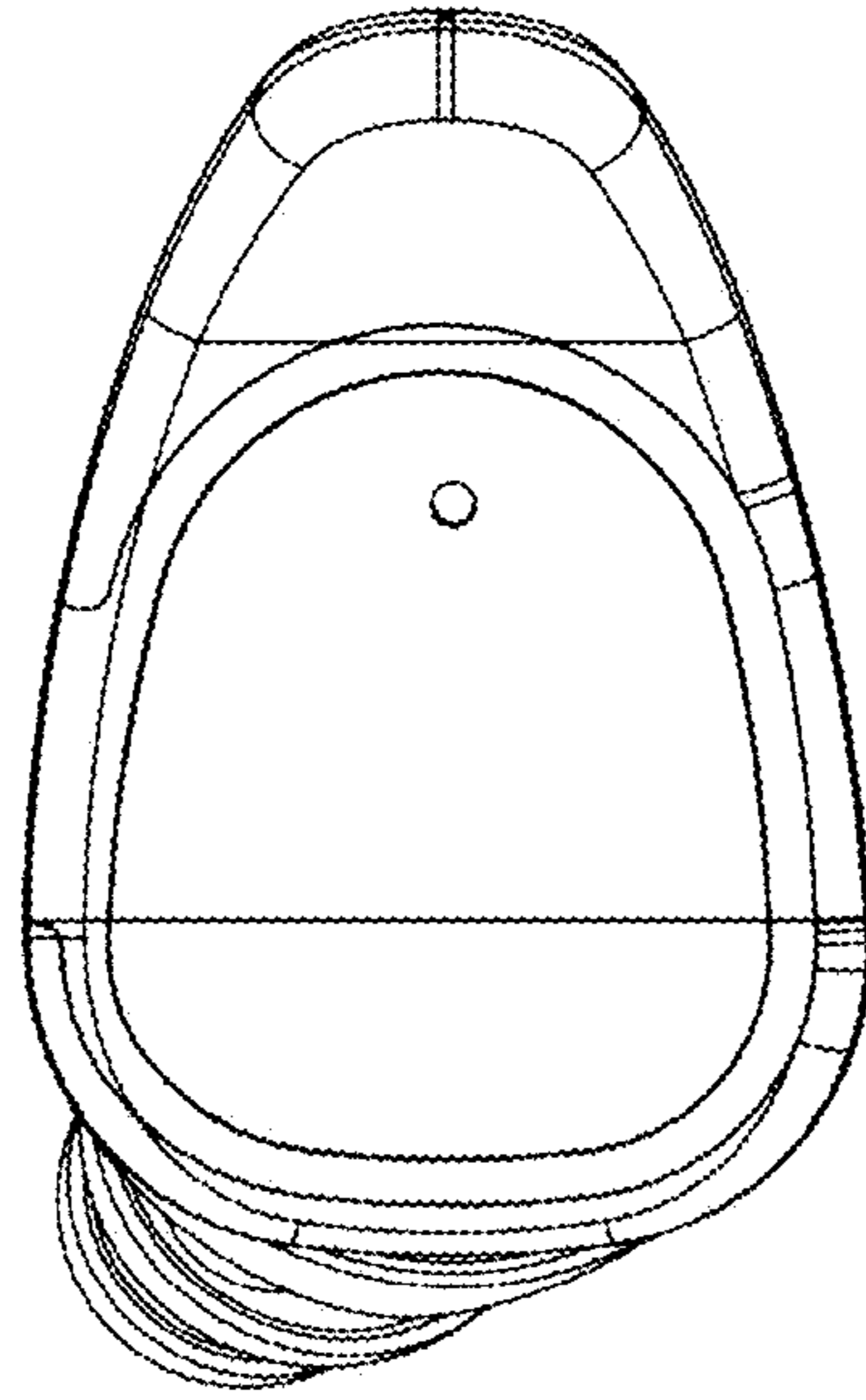


FIG. 2B

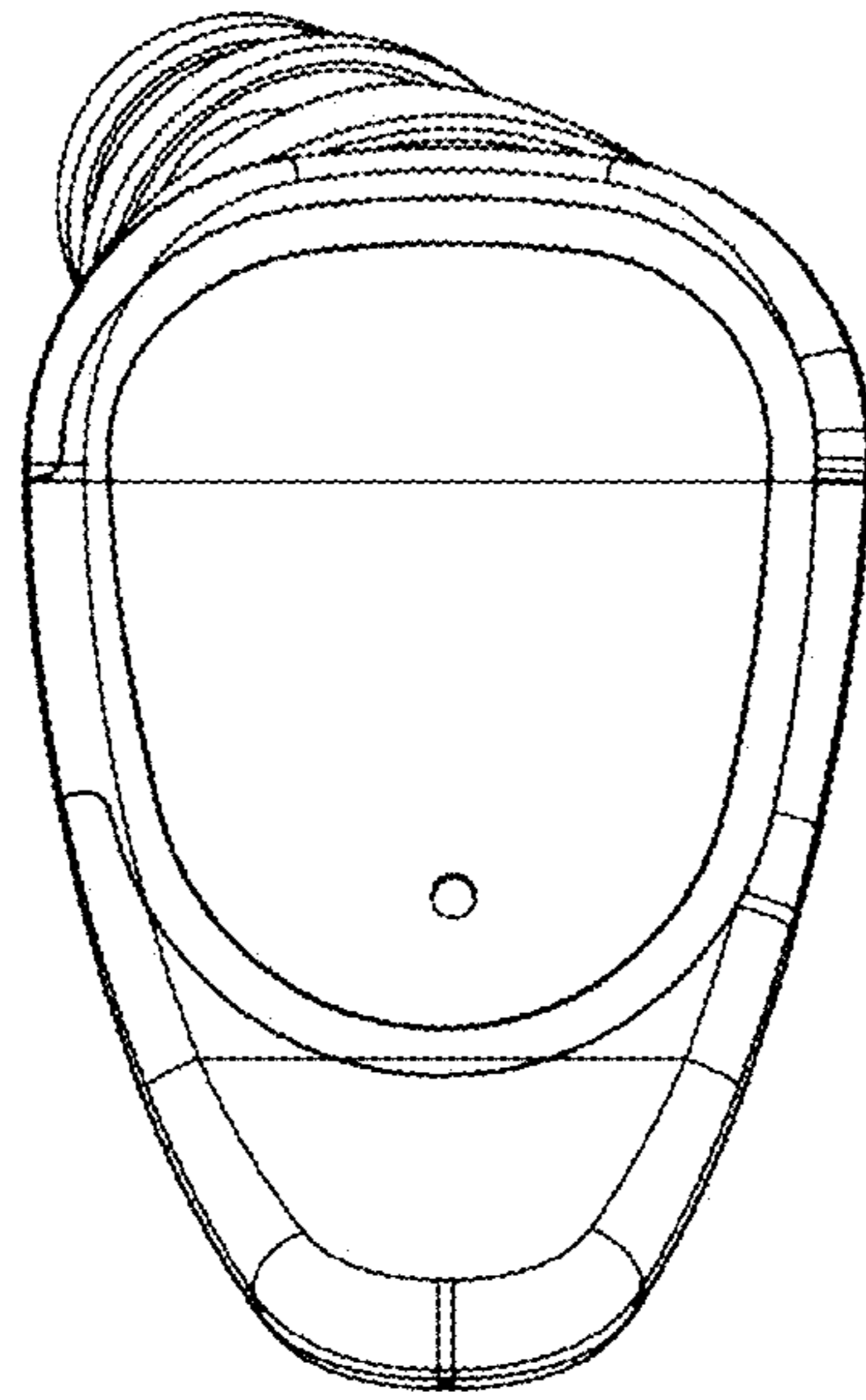


FIG. 2A

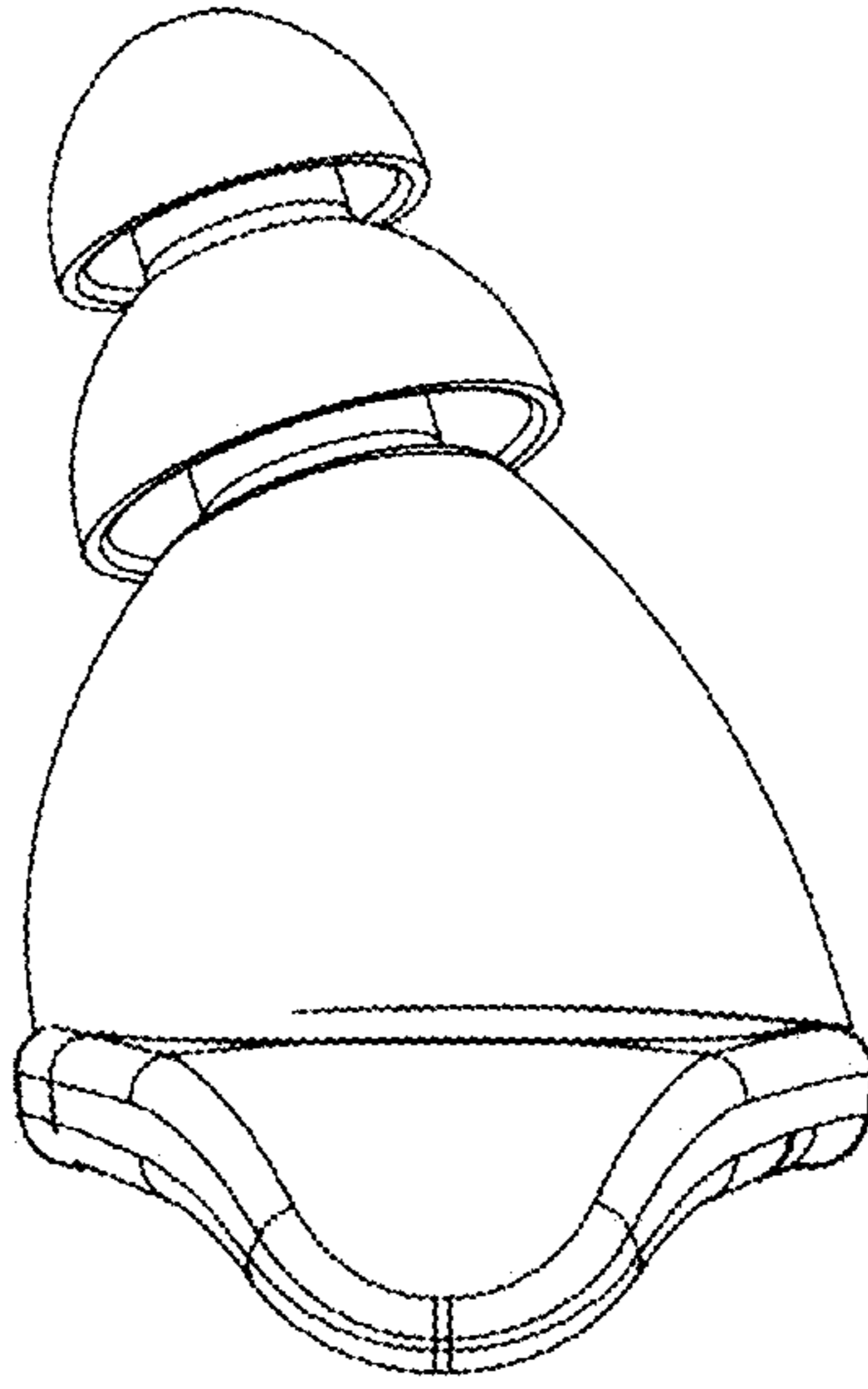


FIG. 3B

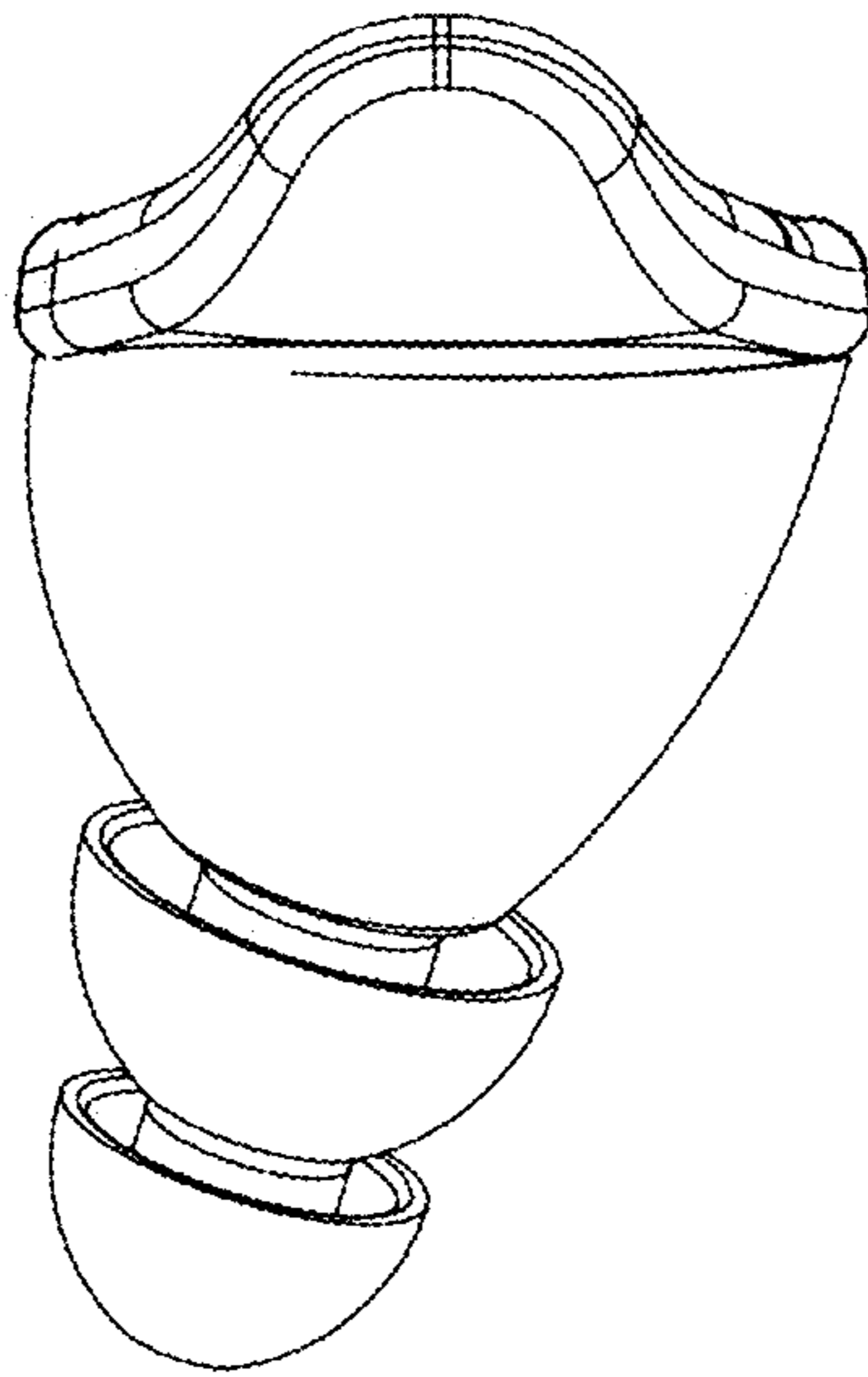


FIG. 3A

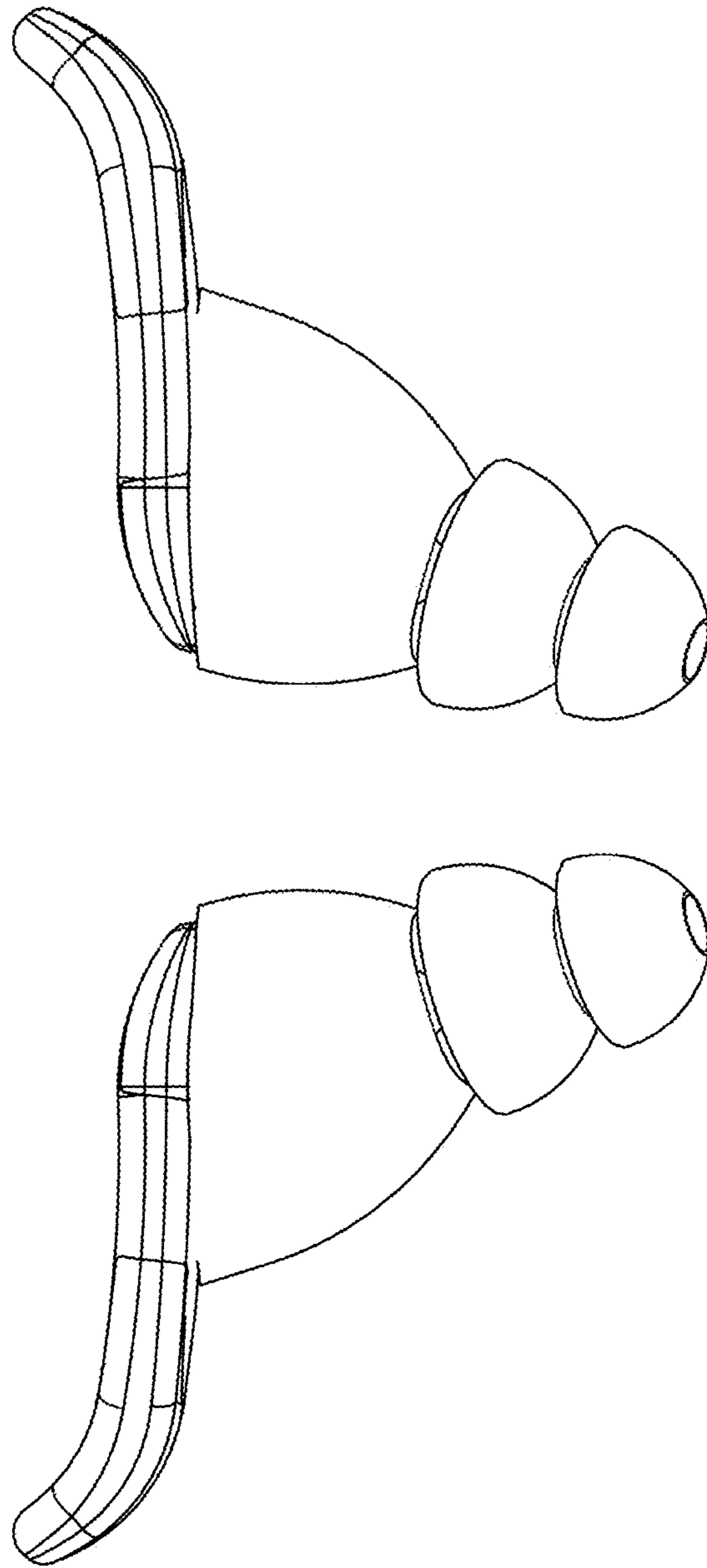


FIG. 4B

FIG. 4A

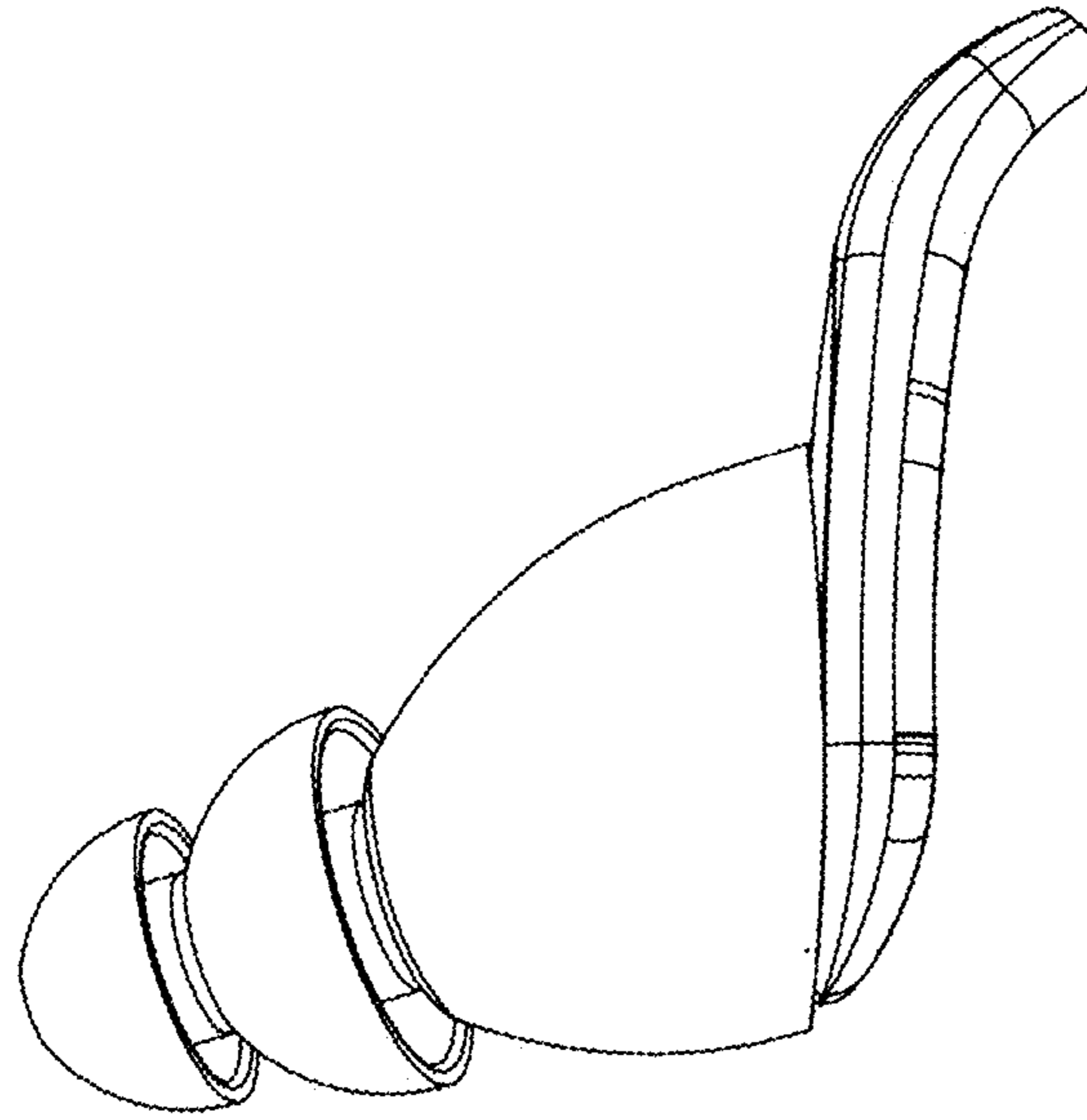


FIG. 5A

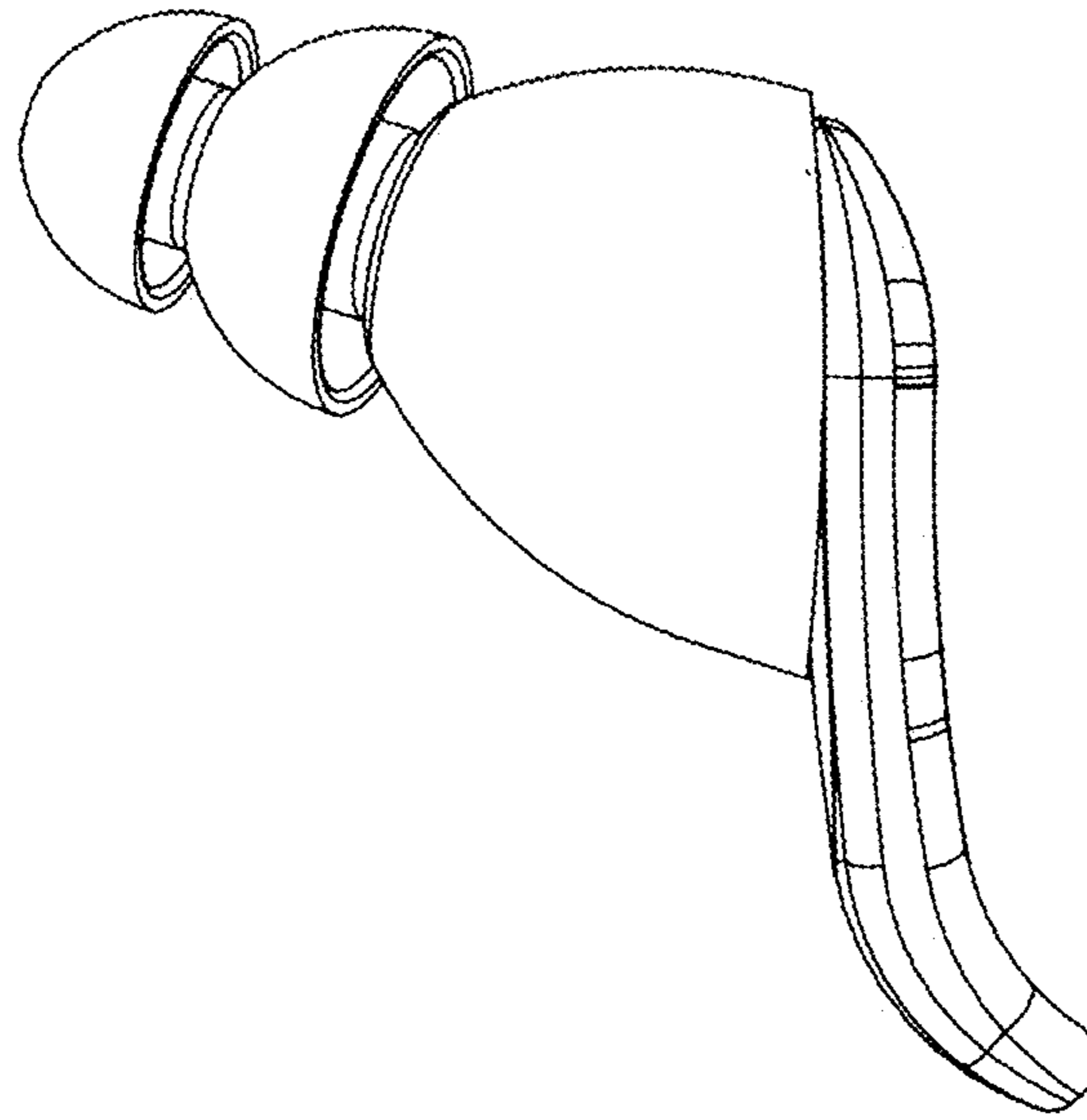


FIG. 5B

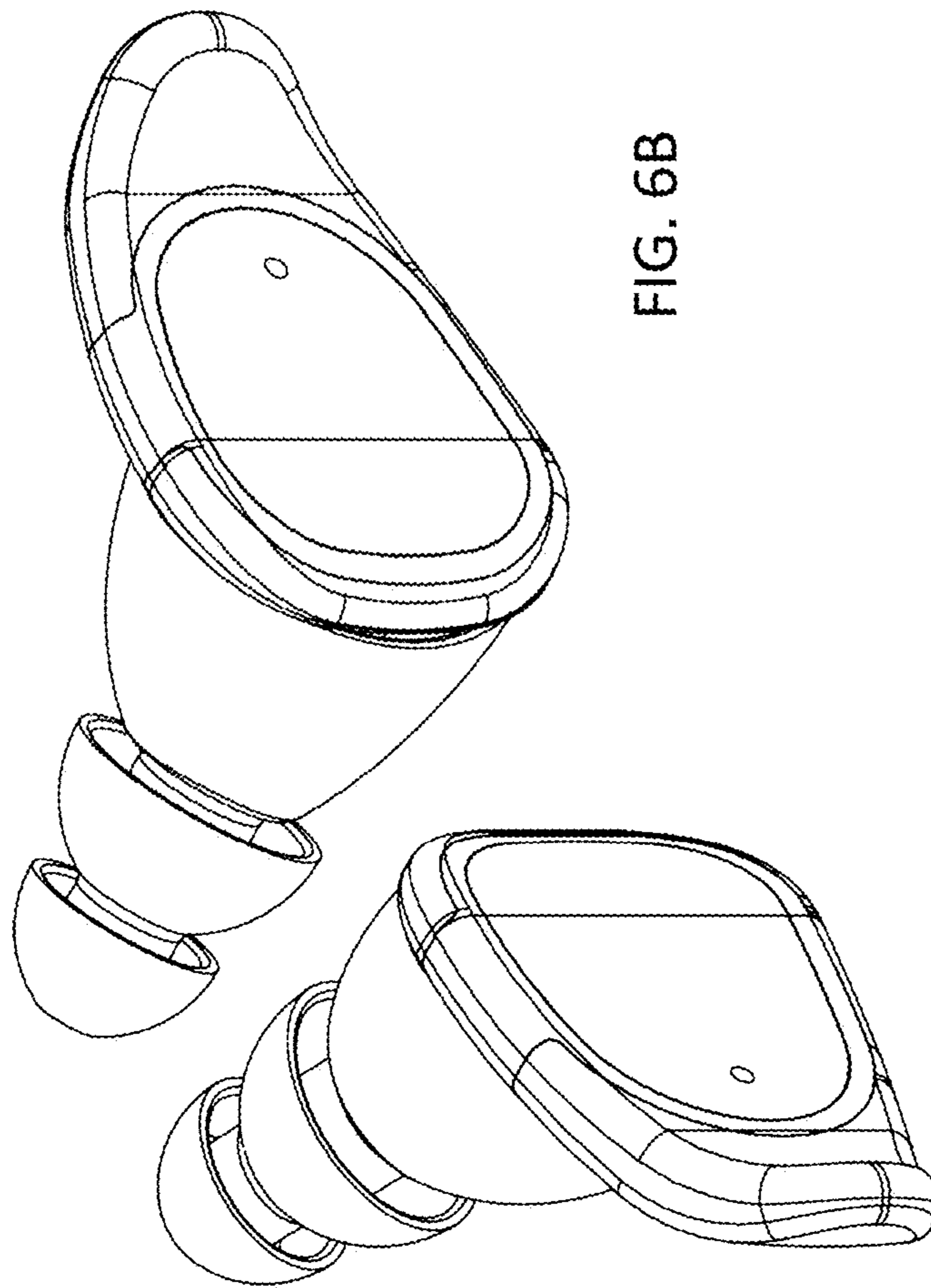


FIG. 6B

FIG. 6A

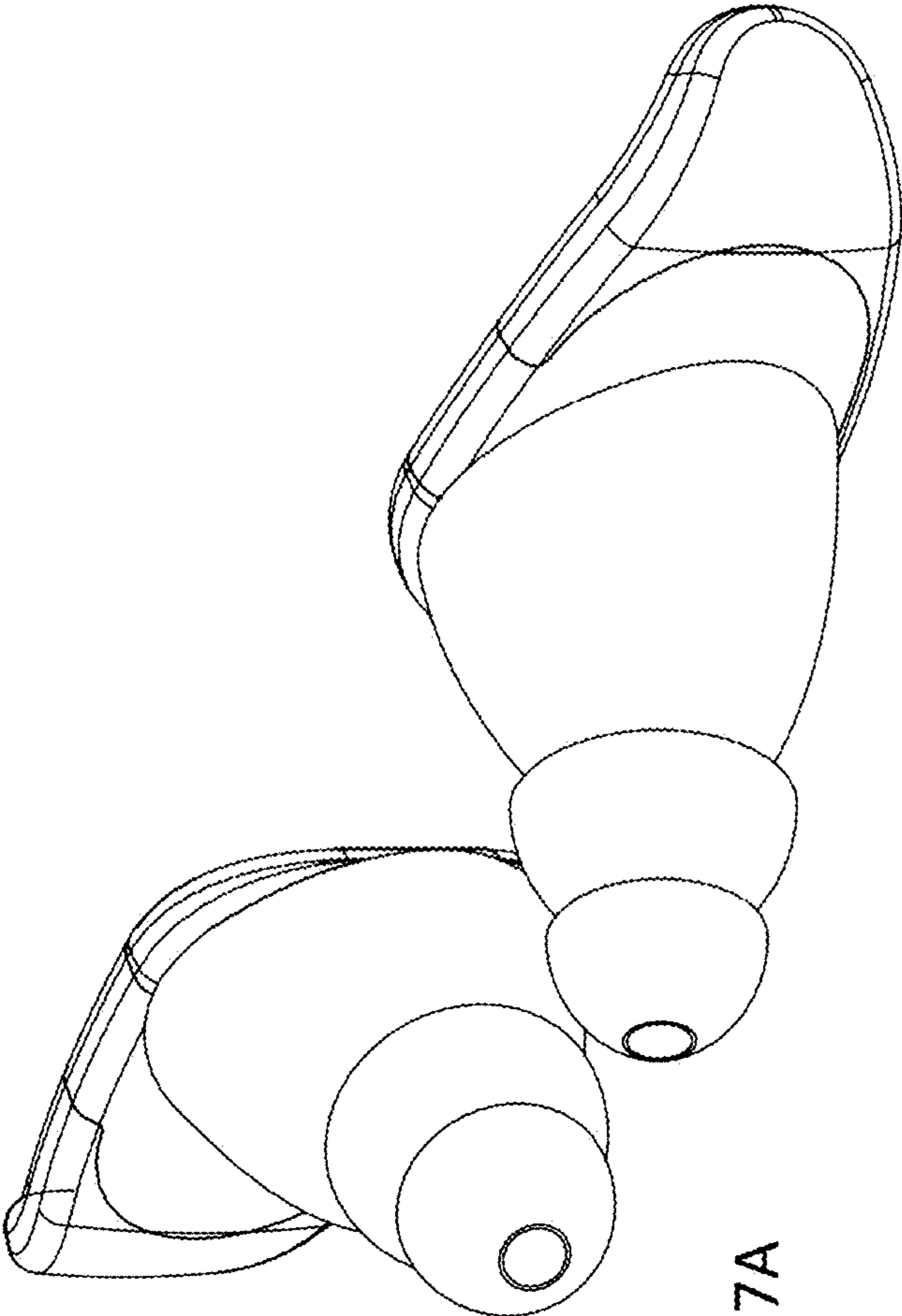


FIG. 7A

FIG. 7B

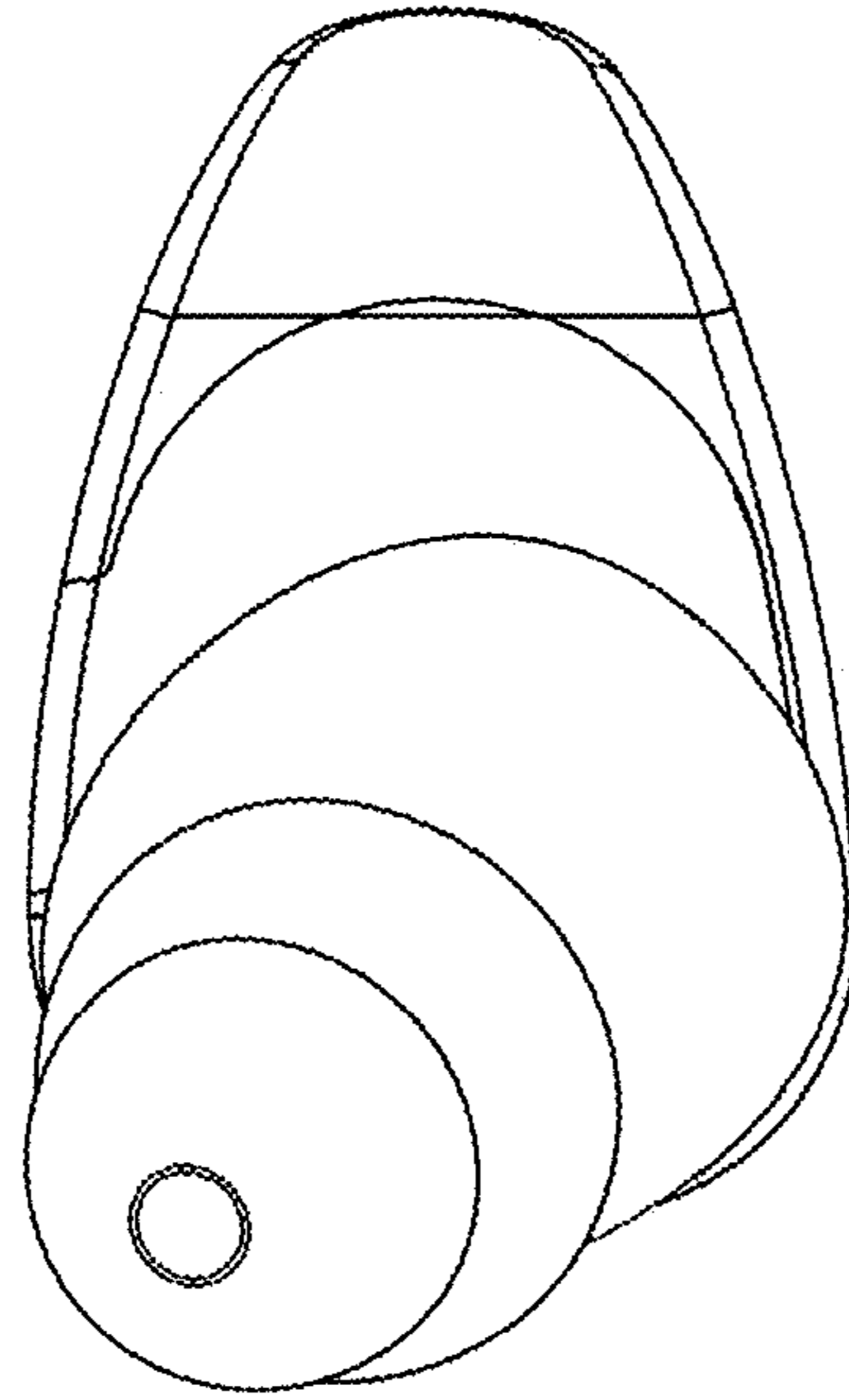


FIG. 8B

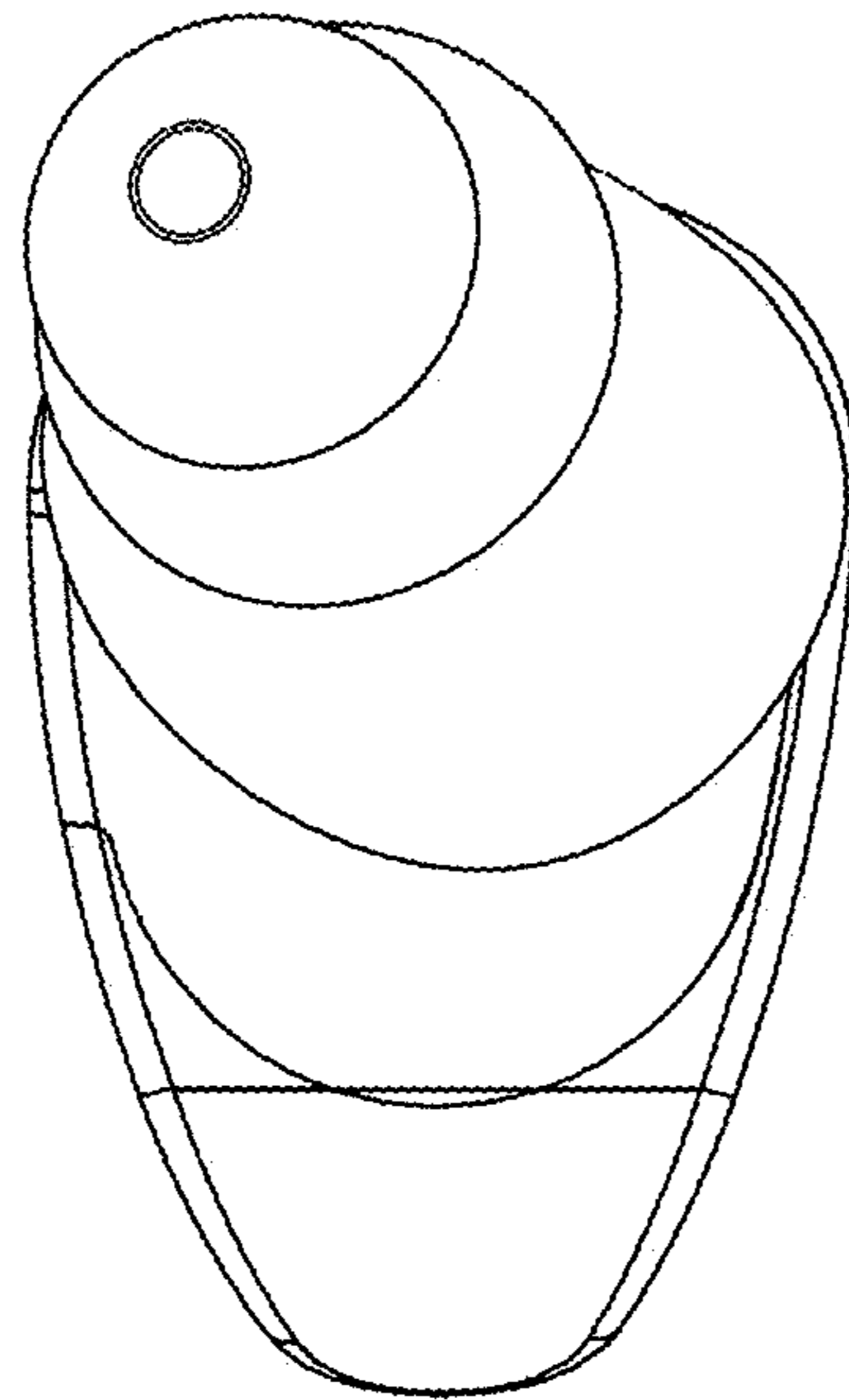


FIG. 8A

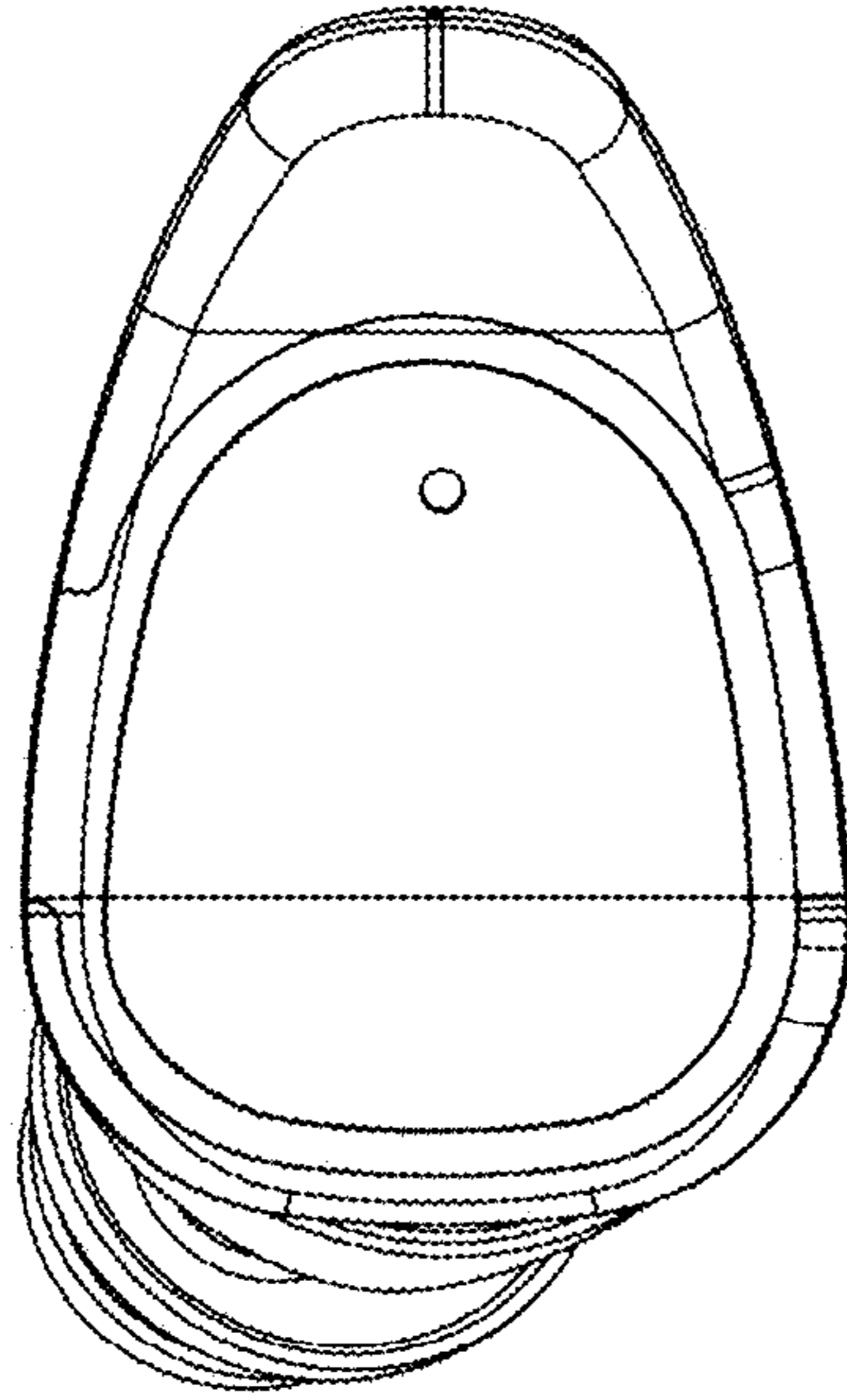


FIG. 9B

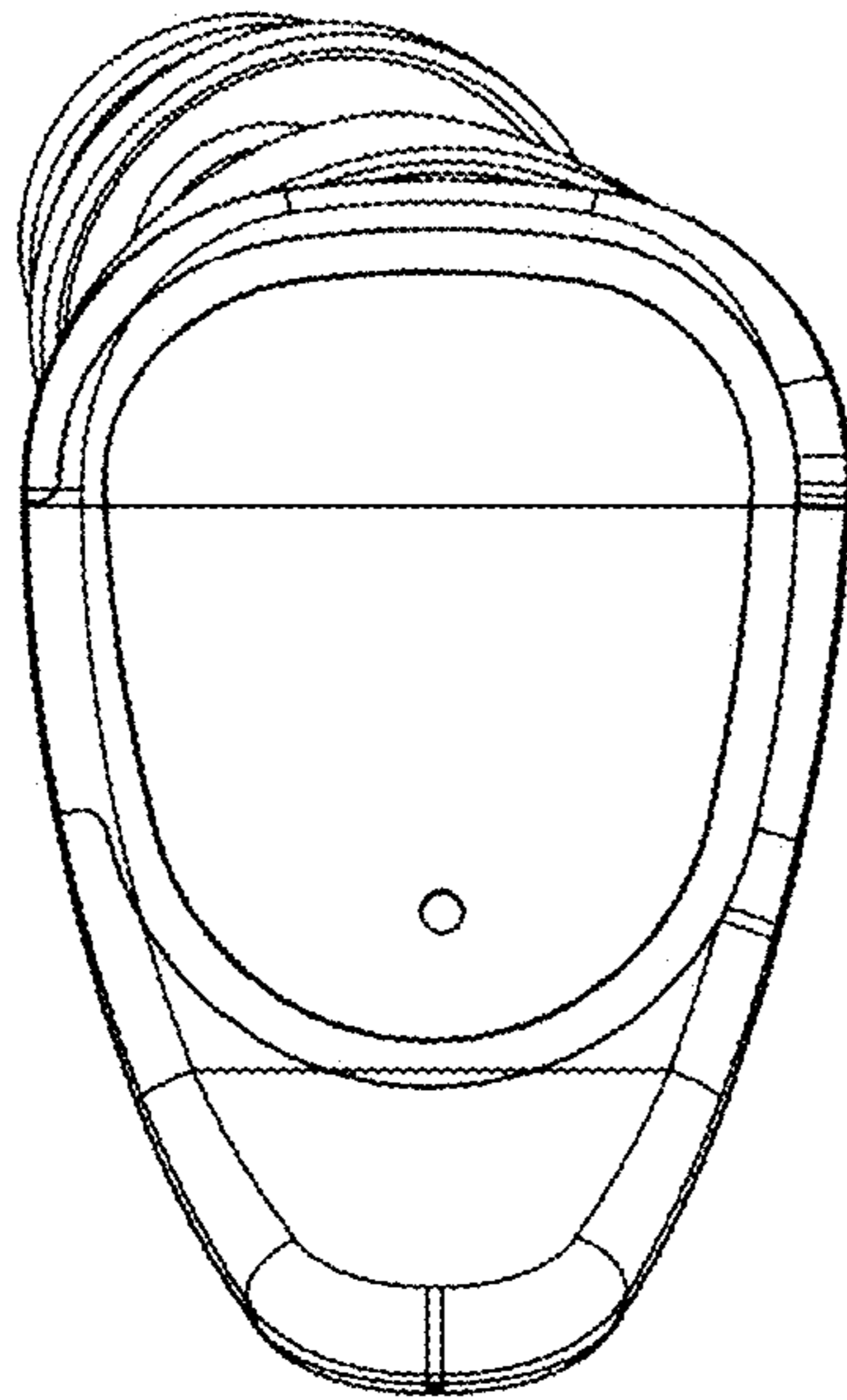


FIG. 9A

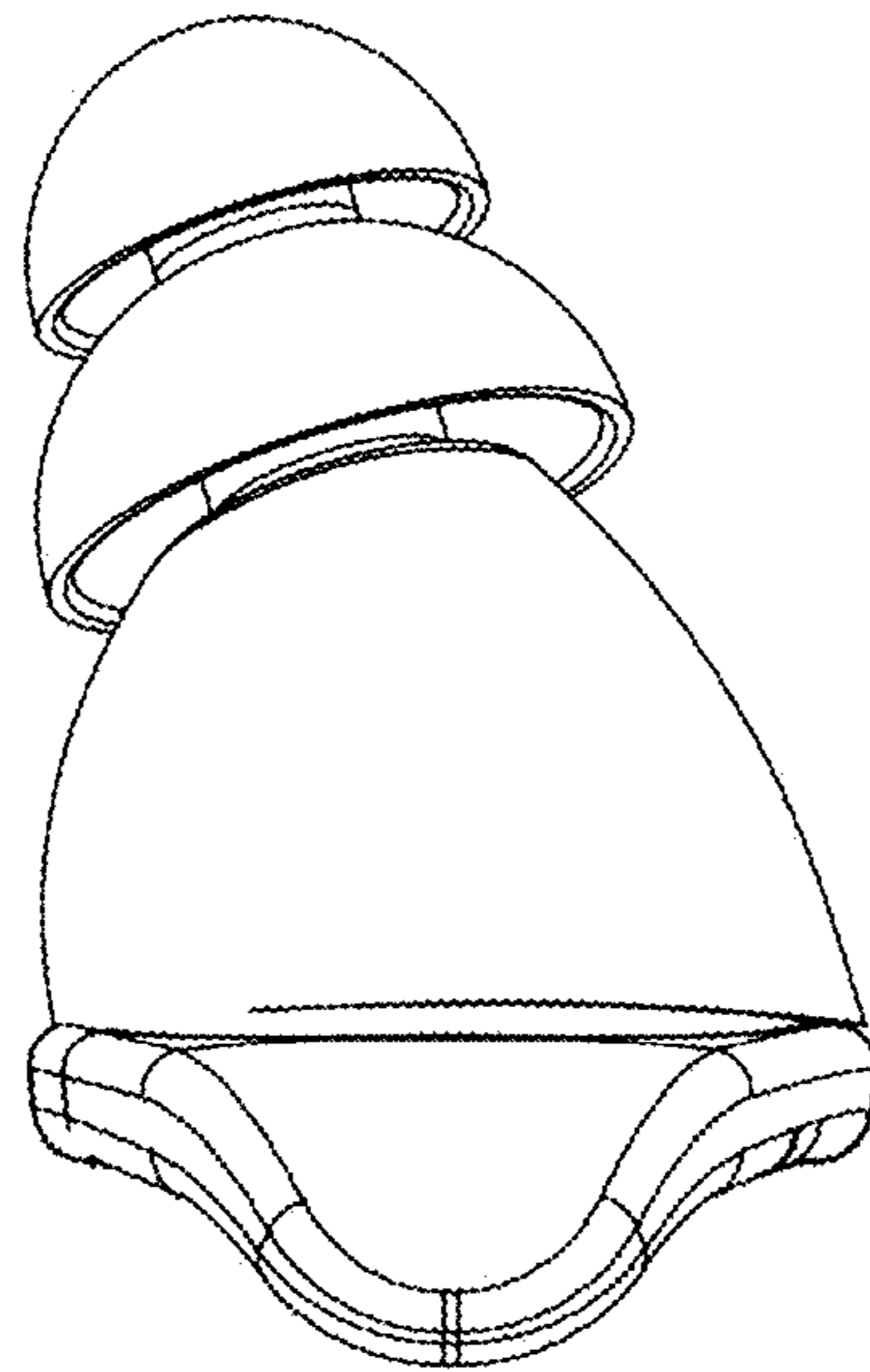


FIG. 10B

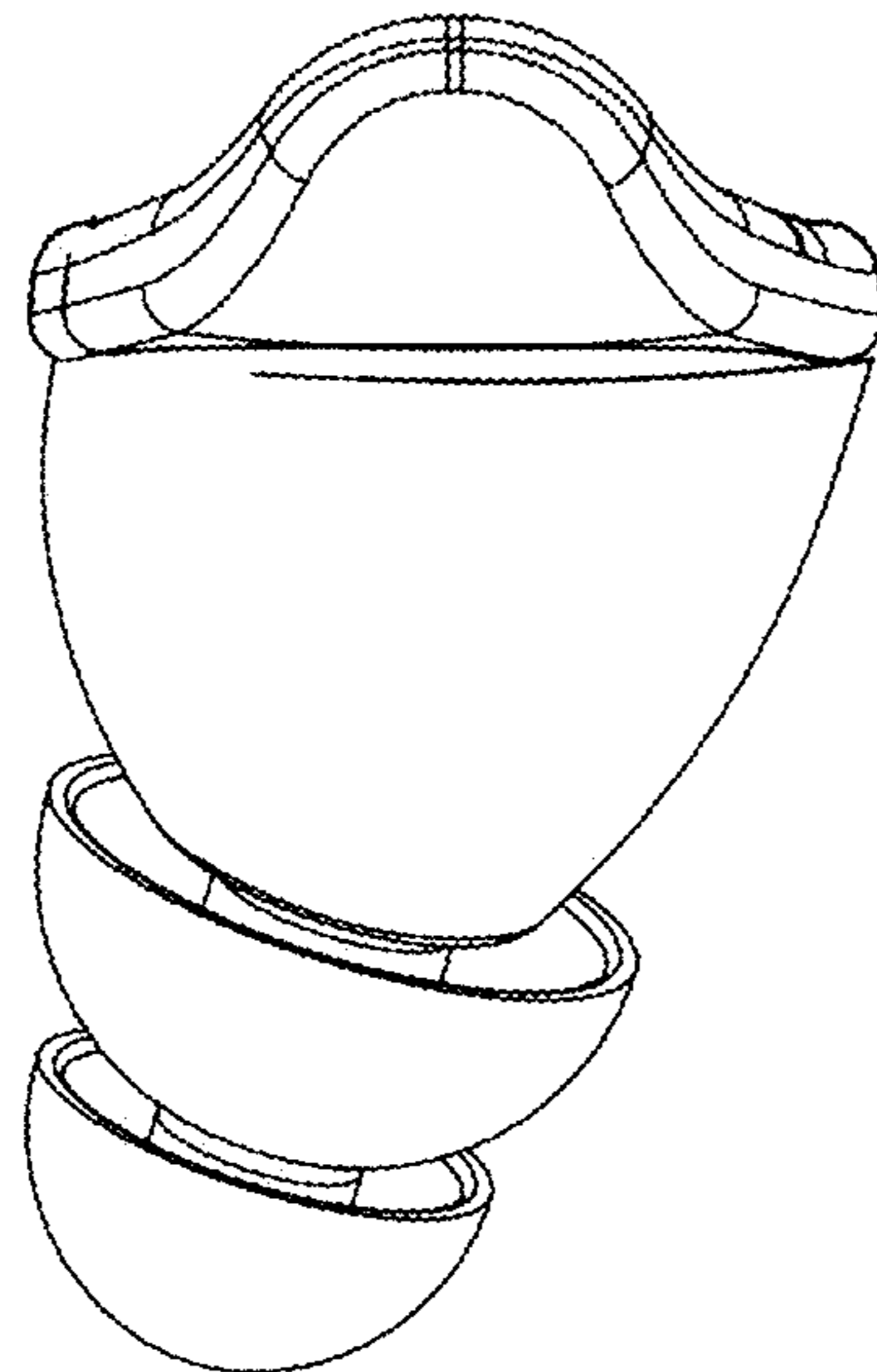


FIG. 10A

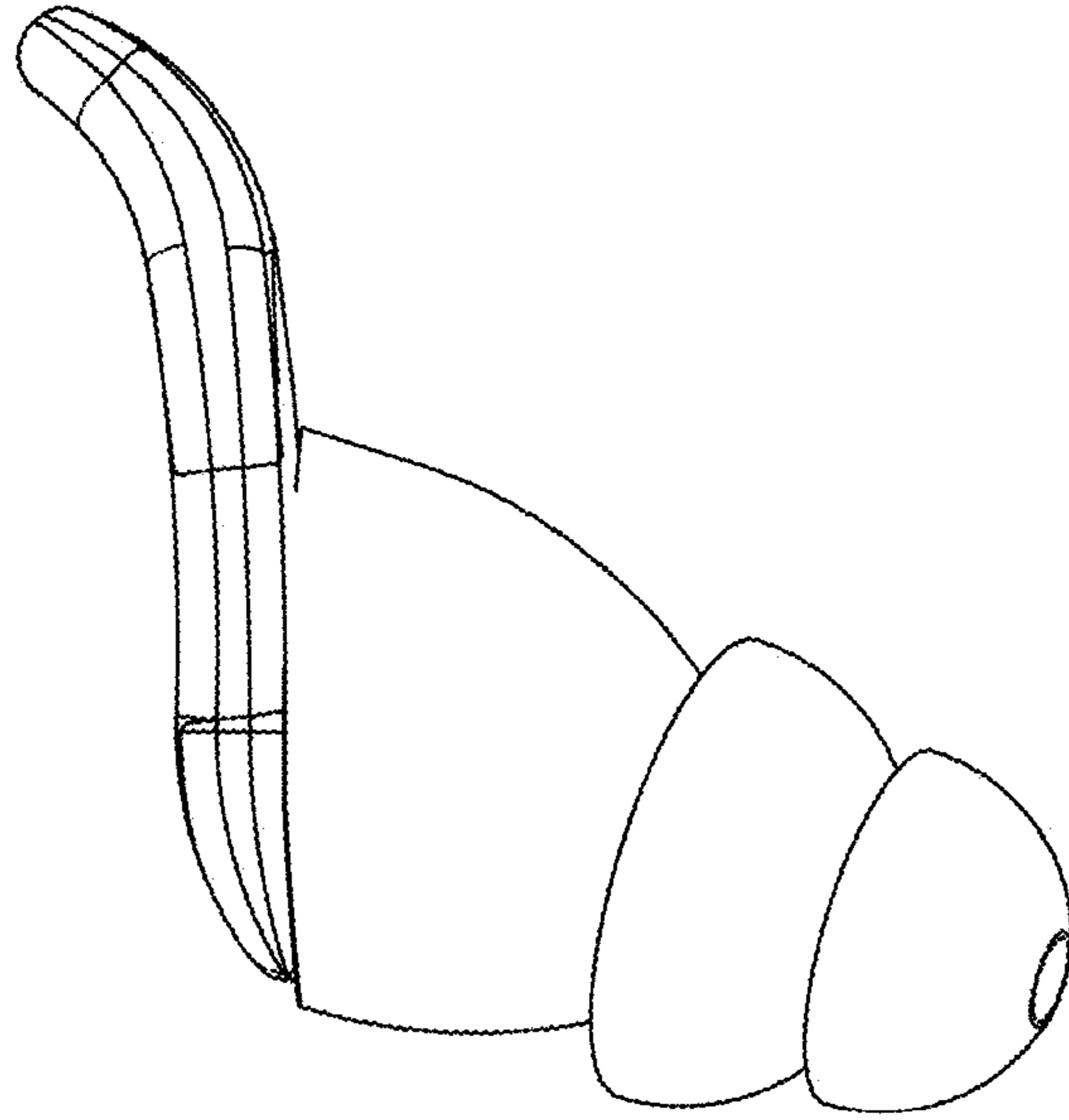


FIG. 11B

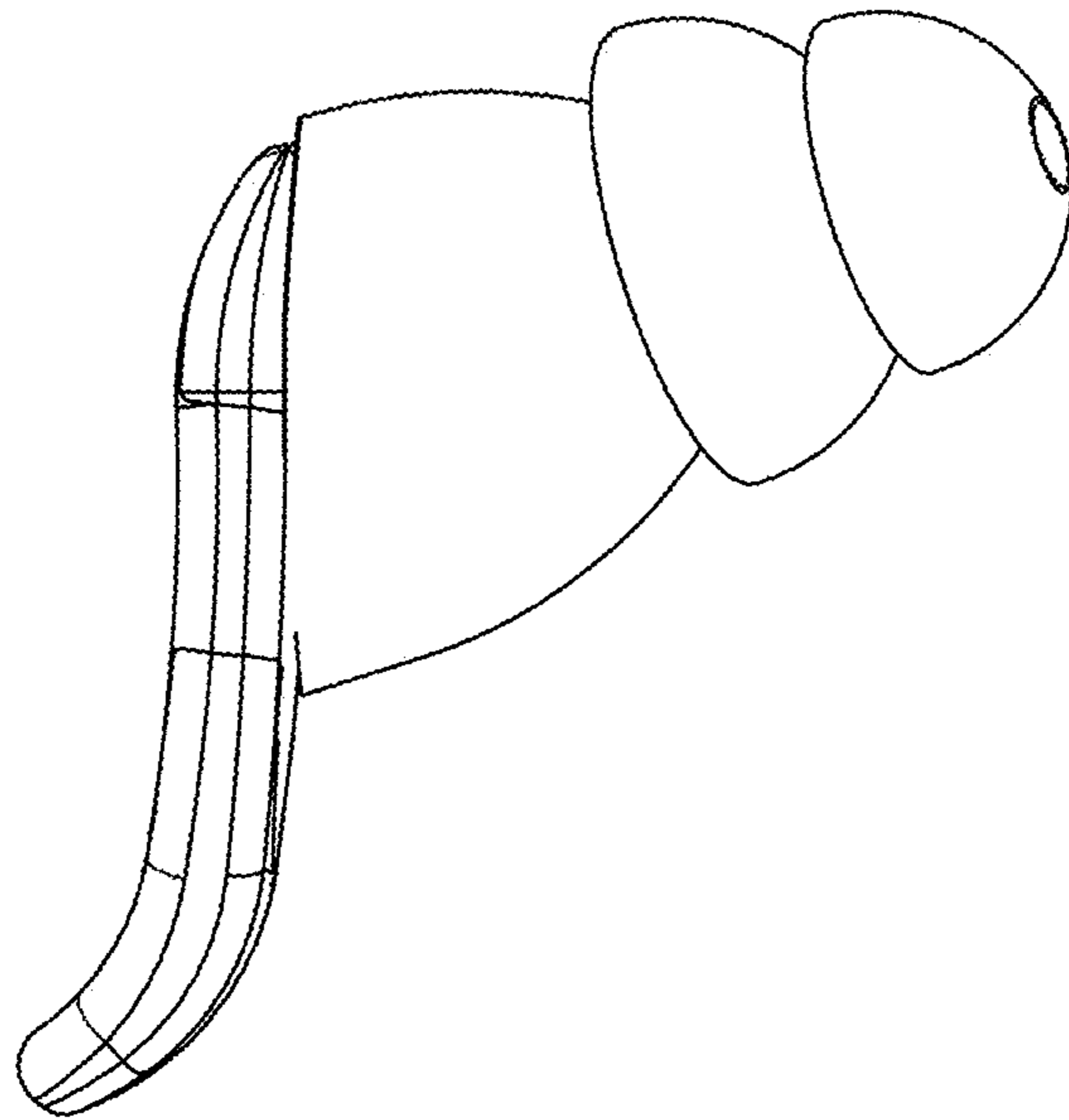


FIG. 11A

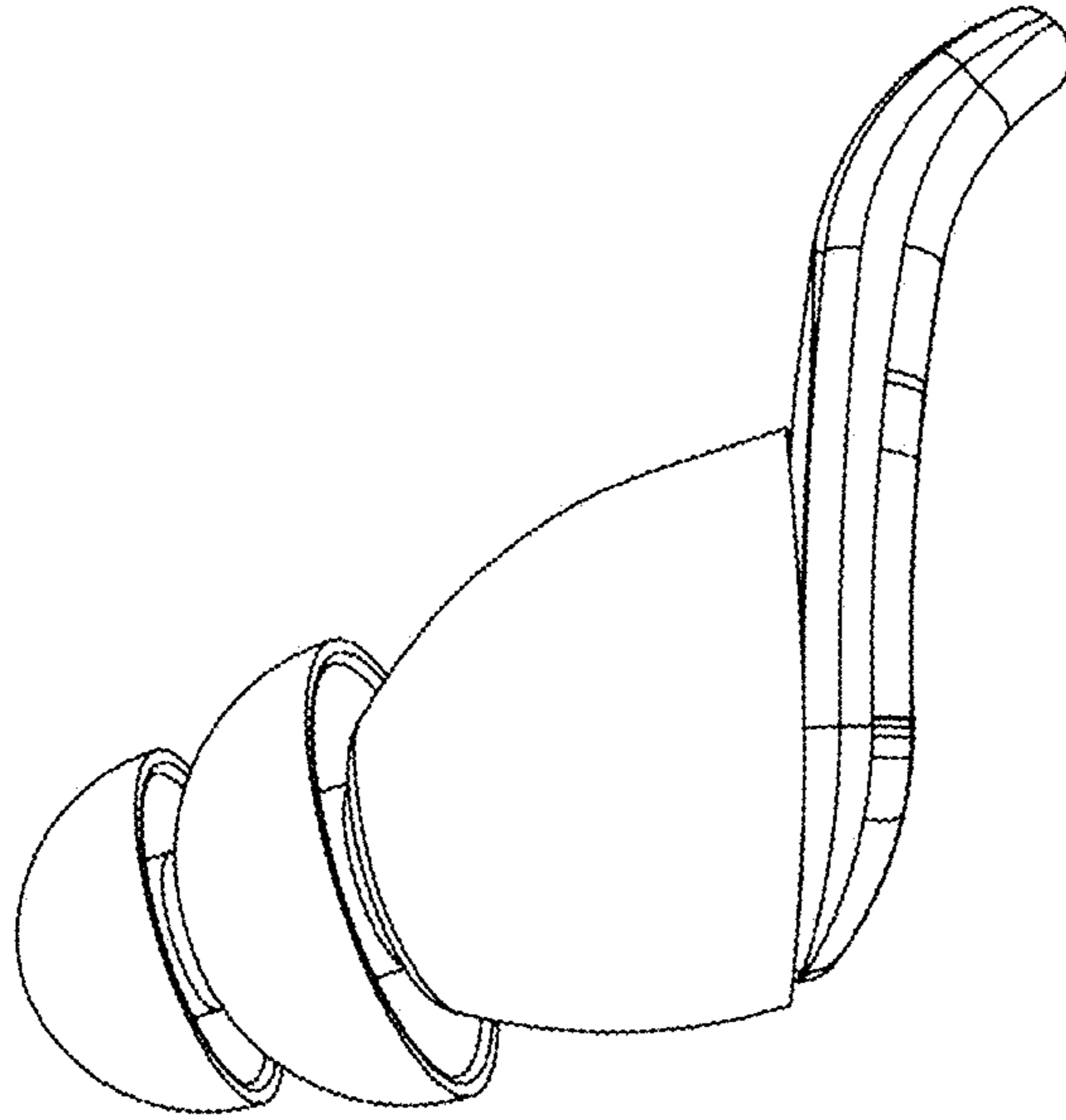


FIG. 12A

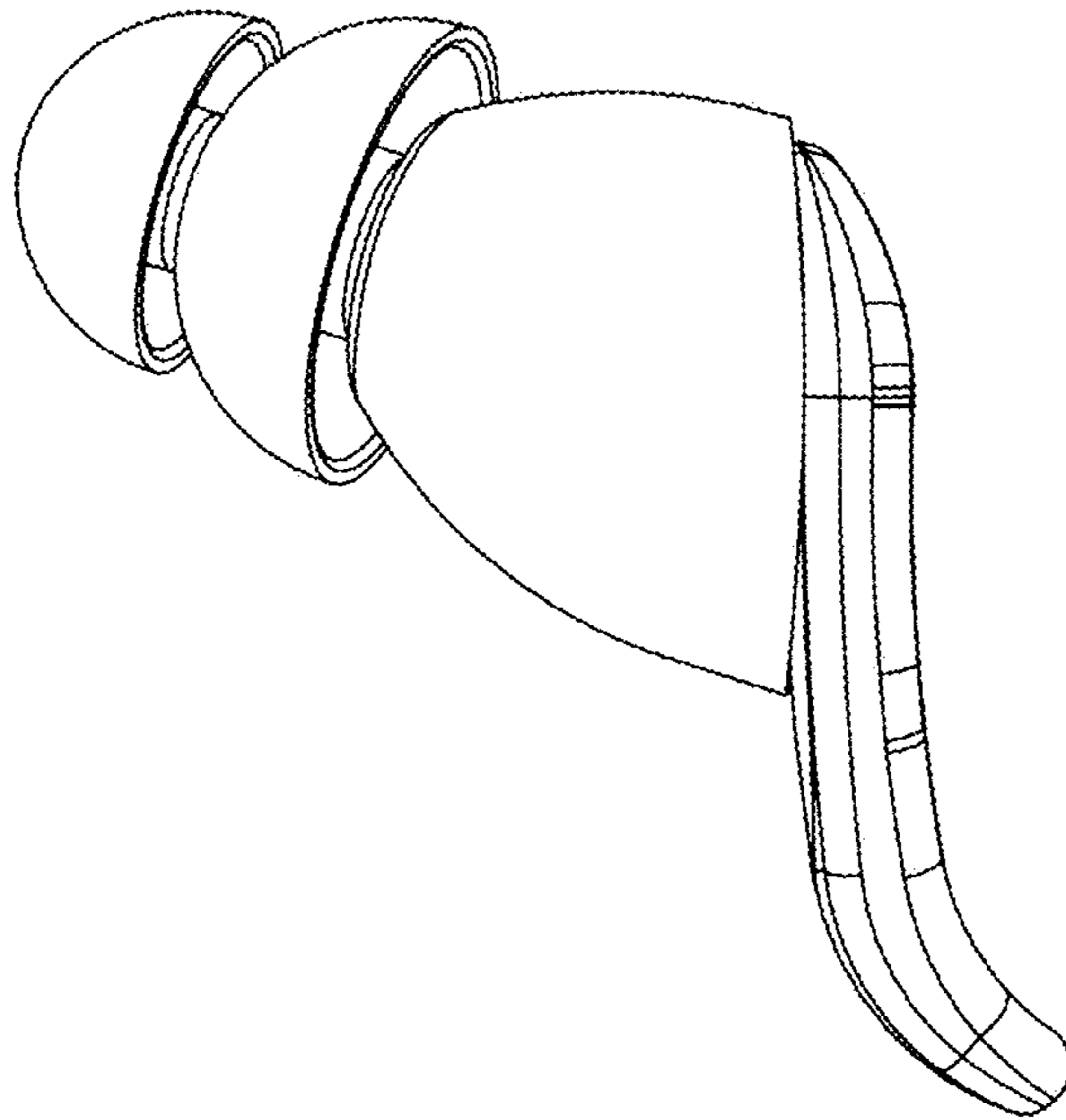


FIG. 12B

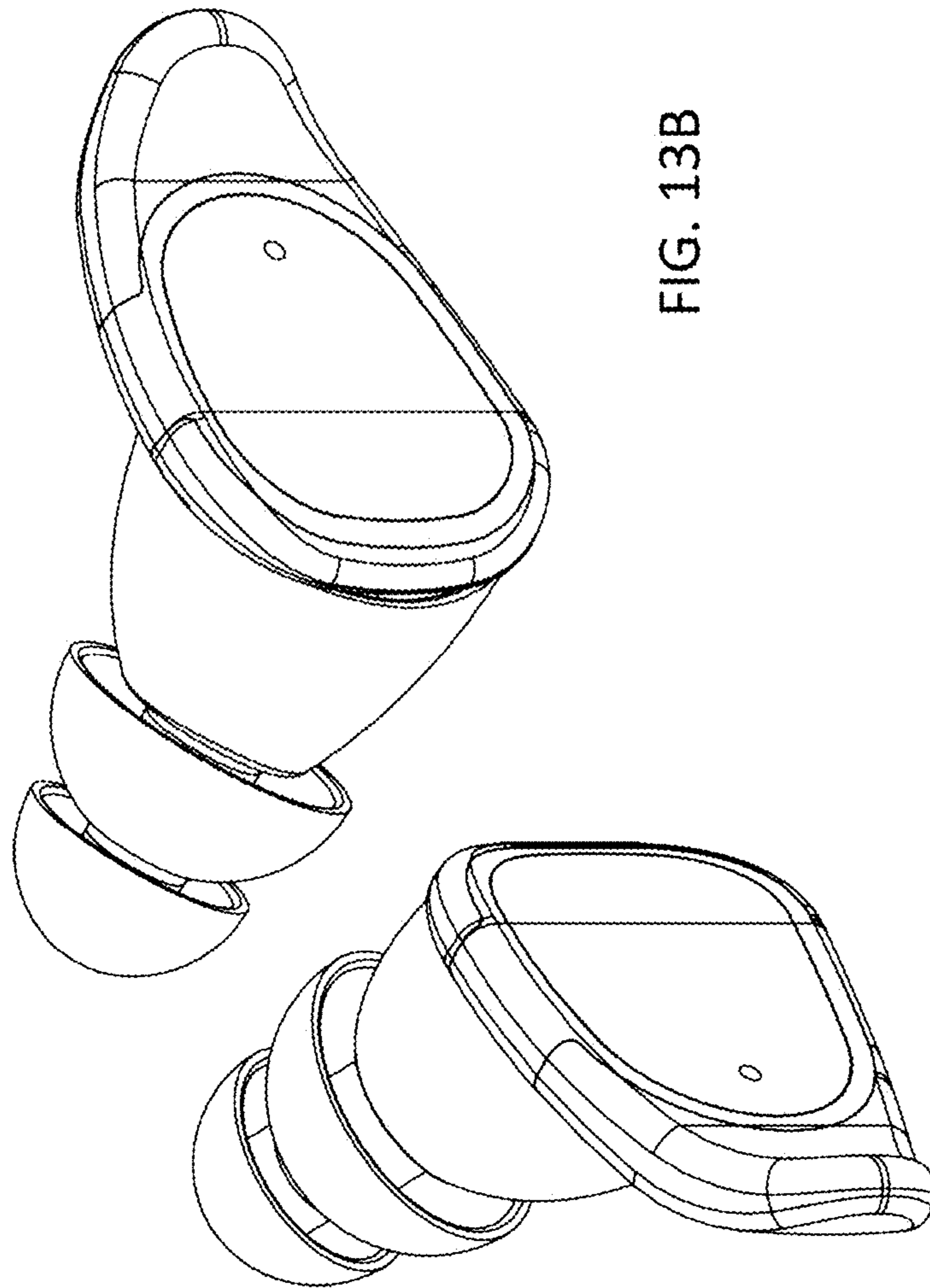


FIG. 13B

FIG. 13A

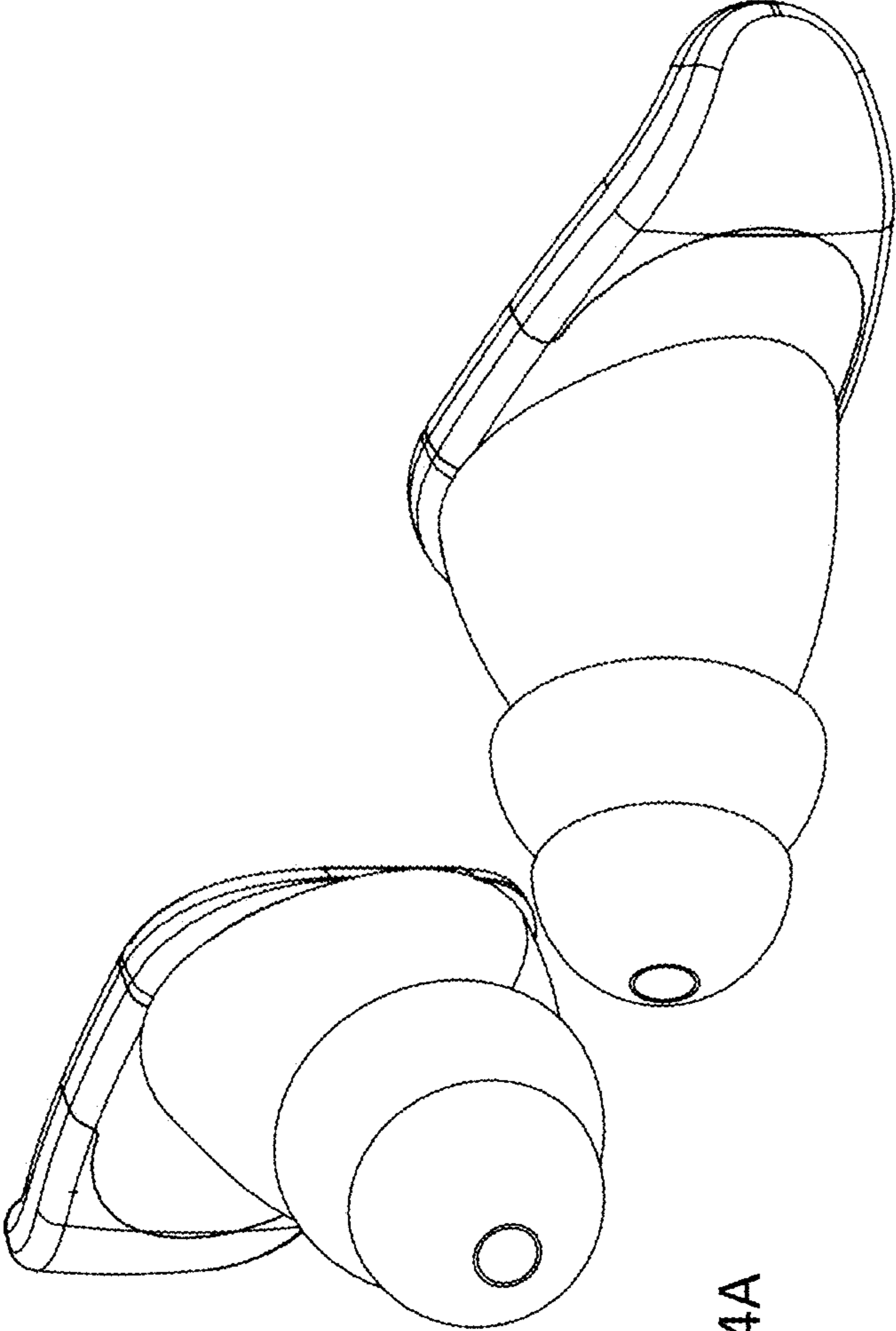


FIG. 14A

FIG. 14B