



US00D877717S

(12) **United States Design Patent**
Navid et al.

(10) **Patent No.:** US D877,717 S
(45) **Date of Patent:** ** Mar. 10, 2020

(54) **VENTING HEADPHONES**

- (71) Applicant: **dreamGear, LLC**, Torrance, CA (US)
- (72) Inventors: **Amir Navid**, Sherman Oaks, CA (US);
Calvin Ouyang, Torrance, CA (US)
- (73) Assignee: **DREAMGEAR, LLC**, Torrance, CA (US)
- (**) Term: **15 Years**
- (21) Appl. No.: **29/650,788**
- (22) Filed: **Jun. 8, 2018**
- (51) **LOC (12) Cl.** **14-01**
- (52) **U.S. Cl.**
USPC **D14/206; D14/226**
- (58) **Field of Classification Search**
USPC D14/205, 206, 188, 192; D29/112;
2/209; 181/129, 130, 135; 379/430, 431;
(Continued)

(56) **References Cited**

U.S. PATENT DOCUMENTS

- 1,560,718 A * 11/1925 Nowosielski H04R 1/1066
381/377
- 2,025,398 A * 12/1935 Pocock H04M 1/05
D14/205

(Continued)

Primary Examiner — Paula Allen Greene

(74) *Attorney, Agent, or Firm* — Karish & Bjorgum, PC

(57) **CLAIM**

The ornamental designs for venting headphones, as shown and described.

DESCRIPTION

FIG. 1 is top front right isometric view showing a first venting headphones of the invention with a headband with a first cushion style and with the venting windows on the ear

cup portions shown in their closed position, and with its microphone boom engaged to the right ear cup portion.

FIG. 2 is front view showing the venting headphones of FIG. 1.

FIG. 3 is a rear view showing the venting headphones of FIG. 1.

FIG. 4 is a right side view showing the venting headphones of FIG. 1.

FIG. 5 is a left side view showing the venting headphones of FIG. 1.

FIG. 6 is a top view showing the venting headphones of FIG. 1.

FIG. 7 is bottom view showing the venting headphones of FIG. 1.

FIG. 8 is top front right isometric view showing the first venting headphones of FIG. 1 but shows the venting windows in their opened position.

FIG. 9 is front view showing the venting headphones of FIG. 8.

FIG. 10 is a rear view showing the venting headphones of FIG. 8.

FIG. 11 is a right side view showing the venting headphones of FIG. 8.

FIG. 12 is a left side view showing the venting headphones of FIG. 8.

FIG. 13 is a top view showing the venting headphones of FIG. 8.

FIG. 14 is bottom view showing the venting headphones of FIG. 8.

FIG. 15 is front view showing the venting headphones of FIG. 1, but with the microphone boom on the left ear cup portion.

FIG. 16 is top front right isometric view showing a second venting headphones of the invention with a headband with a second cushion style and with the venting windows on the ear cup portions shown in their closed position, and with its microphone boom engaged to the right ear cup portion.

FIG. 17 is front view showing the venting headphones of FIG. 16.

FIG. 18 is a rear view showing the venting headphones of FIG. 16.

FIG. 19 is a right side view showing the venting headphones of FIG. 16.

(Continued)

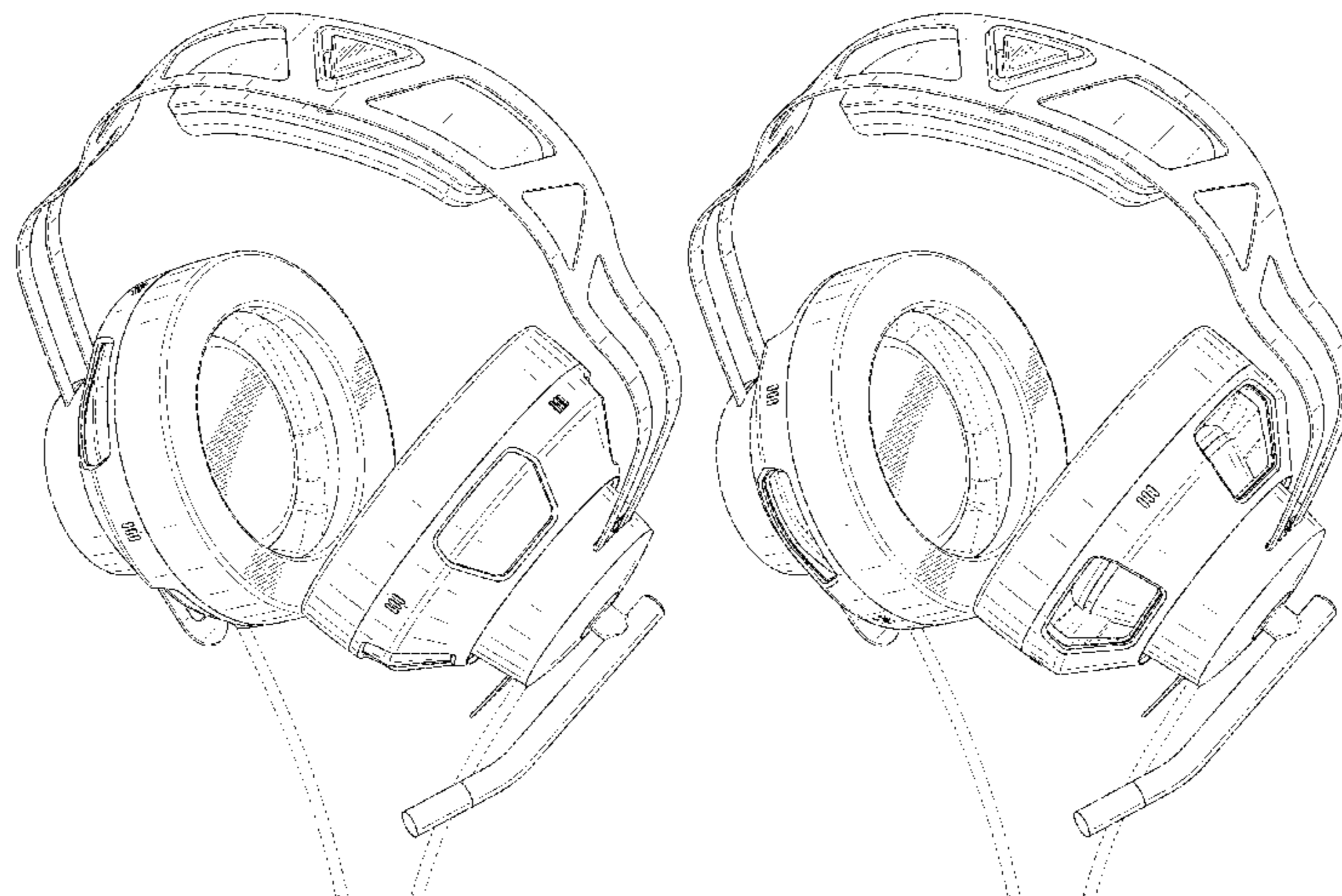


FIG. 20 is a left side view showing the venting headphones of FIG. 16.
 FIG. 21 is a top view showing the venting headphones of FIG. 16.
 FIG. 22 is bottom view showing the venting headphones of FIG. 16.
 FIG. 23 is top front right isometric view showing the second venting headphones of FIG. 16 but shows the venting windows in their opened position.
 FIG. 24 is front view showing the venting headphones of FIG. 23.
 FIG. 25 is a rear view showing the venting headphones of FIG. 23.
 FIG. 26 is a right side view showing the venting headphones of FIG. 23.
 FIG. 27 is a left side view showing the venting headphones of FIG. 23.
 FIG. 28 is a top view showing the venting headphones of FIG. 23.
 FIG. 29 is bottom view showing the venting headphones of FIG. 23; and,
 FIG. 30 is front view showing the venting headphones of FIG. 16, but with the microphone boom on the left ear cup portion.
 The broken lines depict environment that forms no part of the claimed design.

1 Claim, 30 Drawing Sheets

(58) **Field of Classification Search**

USPC 381/380, 381, 374, 370; 455/90.3, 575.1, 455/569.1
 CPC H04R 25/00; H04R 1/1016; H04R 1/1066; H04R 5/033; H04R 5/0335; H04R 1/10; H04R 1/105; H04R 19/04
 See application file for complete search history.

(56) **References Cited**

U.S. PATENT DOCUMENTS

2,437,049 A * 3/1948 Salisbury A61F 11/14 128/866
 3,184,556 A * 5/1965 Larkin H04M 1/05 379/430

D203,677 S * 2/1966 Spilman D14/205
 D228,352 S * 9/1973 Itagaki D14/205
 D246,242 S * 11/1977 Bellini D14/205
 D254,183 S * 2/1980 Doodson D14/205
 4,420,657 A * 12/1983 Larkin H04M 1/05 181/129
 D291,198 S * 8/1987 Bellini D14/205
 D313,092 S * 12/1990 Nilsson D14/205
 D358,391 S * 5/1995 Isono D14/205
 D426,880 S * 6/2000 Leight D14/223
 D449,034 S * 10/2001 Weikel D14/205
 D463,857 S * 10/2002 Dix D24/106
 6,560,246 B1 * 5/2003 Stepanov G01C 19/72 372/105
 D517,527 S * 3/2006 Suzuki D14/205
 D518,474 S * 4/2006 Suzuki D14/205
 D569,289 S * 5/2008 Bender D10/104.1
 D570,825 S * 6/2008 Schultz D14/205
 D571,354 S * 6/2008 Ng D14/205
 D587,683 S * 3/2009 Ham D14/205
 D588,575 S * 3/2009 Nousiainen D14/205
 D609,694 S * 2/2010 Komiyama D14/205
 D620,474 S * 7/2010 Komiyama D14/205
 D634,732 S * 3/2011 Kondo D14/205
 D635,958 S * 4/2011 Ando D14/205
 D645,023 S * 9/2011 Brandis D14/206
 8,160,287 B2 * 4/2012 Slippy H04R 5/0335 381/367
 D672,745 S * 12/2012 Abed D14/205
 D681,014 S * 4/2013 Ham D14/206
 D684,559 S * 6/2013 Groset D14/205
 D695,263 S * 12/2013 Mogili D14/205
 D707,200 S * 6/2014 Yang H04R 1/1066 D14/205
 D724,560 S * 3/2015 Galler D14/205
 D780,156 S * 2/2017 Petersen D14/205
 D807,585 S * 1/2018 Fletcher D29/112
 D810,718 S * 2/2018 Galler D14/205
 D811,362 S * 2/2018 Petersen D14/205
 D812,035 S * 3/2018 Petersen D14/205
 D812,037 S * 3/2018 Petersen D14/205
 D839,236 S * 1/2019 Hardi D14/205
 D848,973 S * 5/2019 Karacal D14/205
 D849,712 S * 5/2019 Billaudet D14/205
 D855,033 S * 7/2019 Martin D14/205
 D857,656 S * 8/2019 Ipsen D14/206
 2001/0017925 A1 * 8/2001 Ceravolo H04M 1/05 381/370
 2011/0146701 A1 * 6/2011 Chou A45D 8/36 132/275

* cited by examiner



FIG. 1



FIG. 2

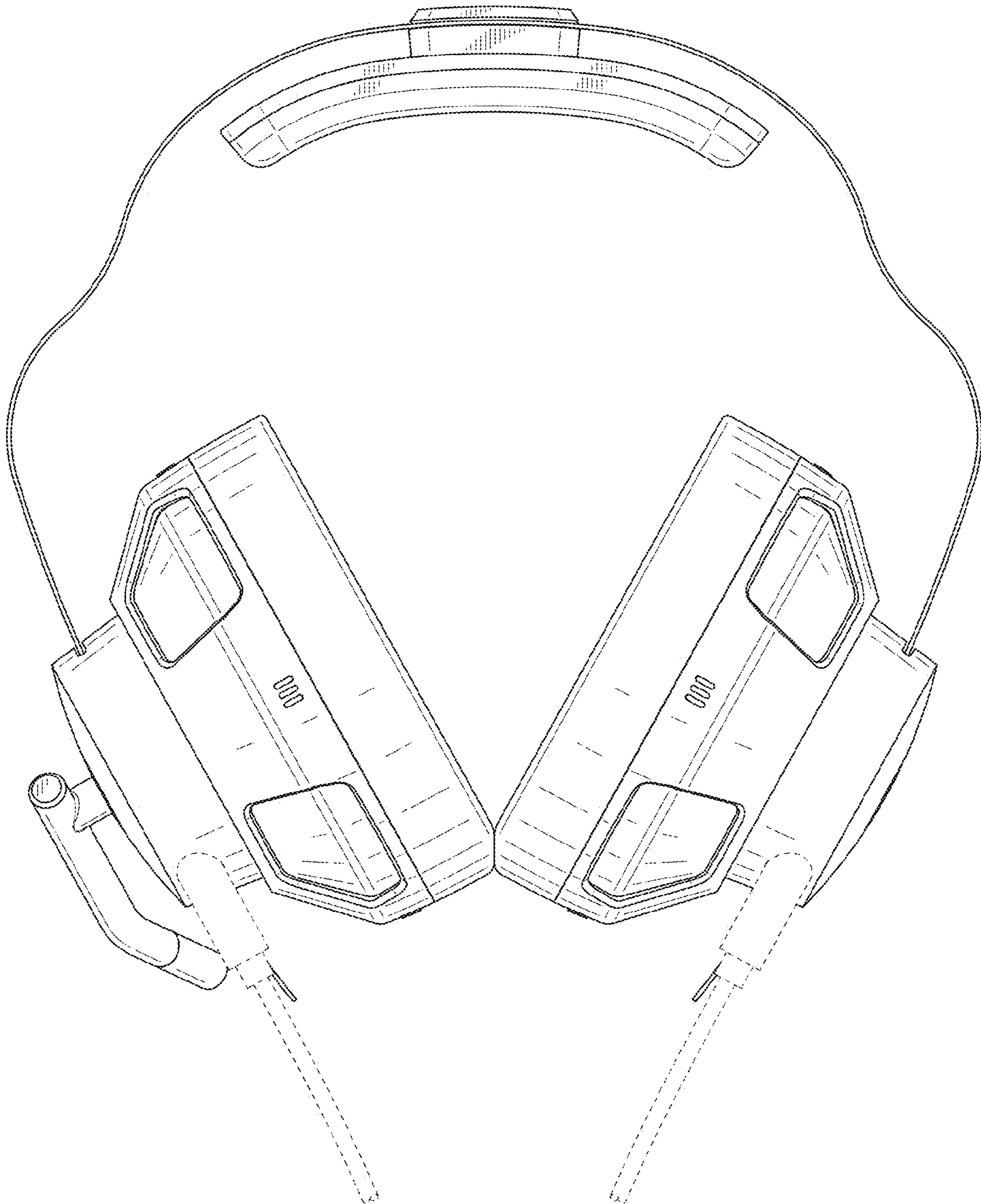


FIG. 3

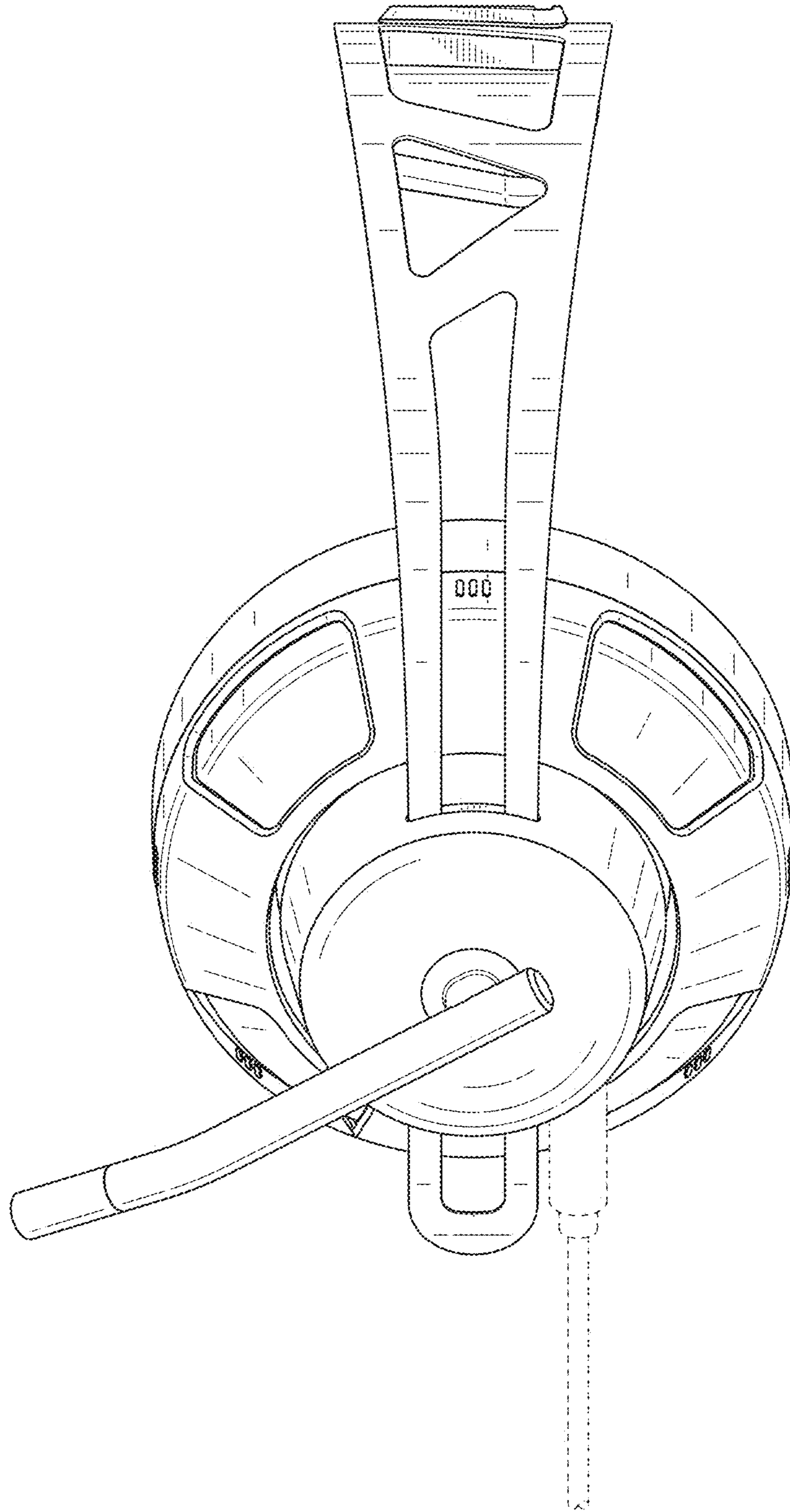


FIG. 4

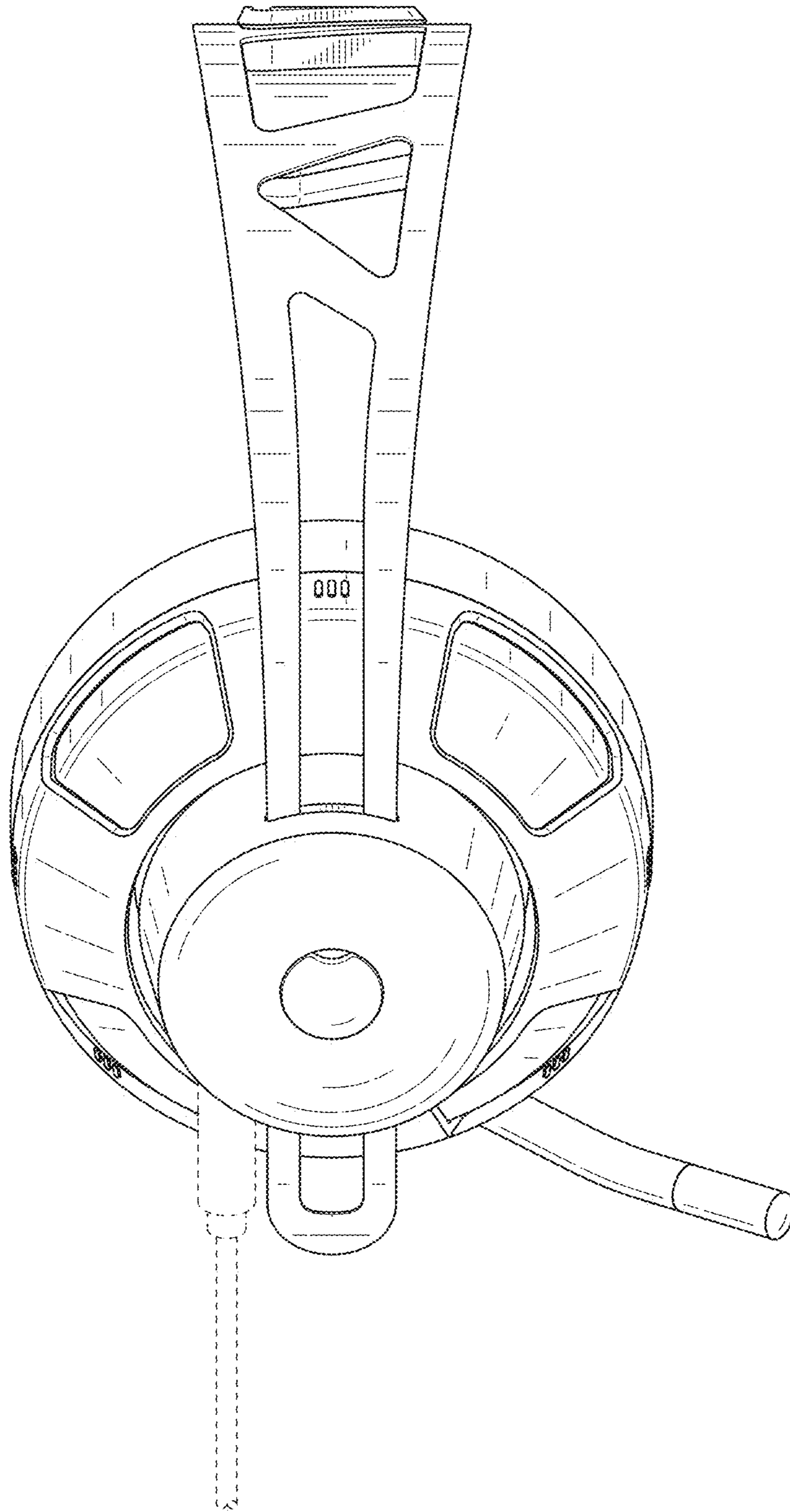


FIG. 5

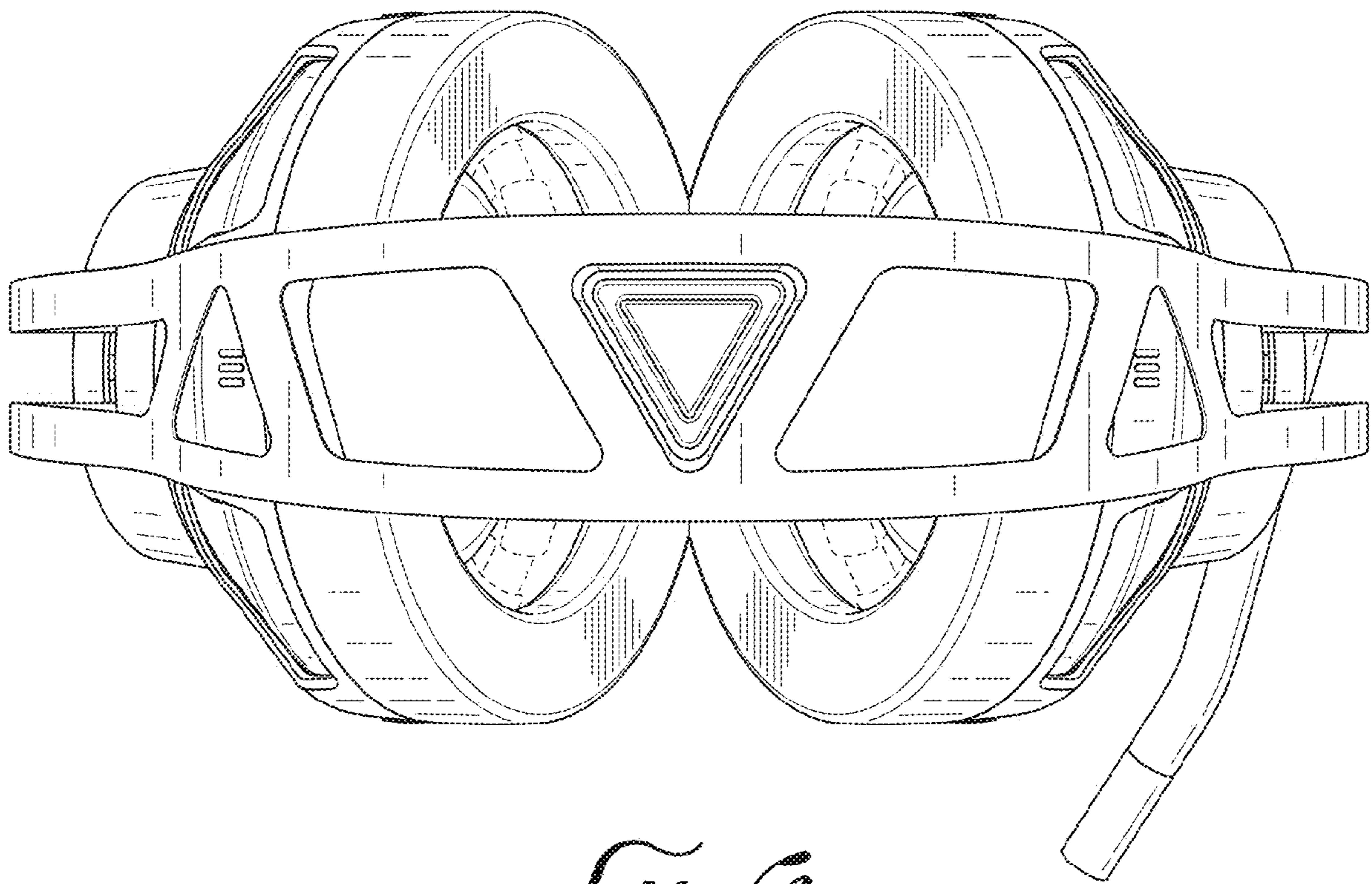


FIG. 6

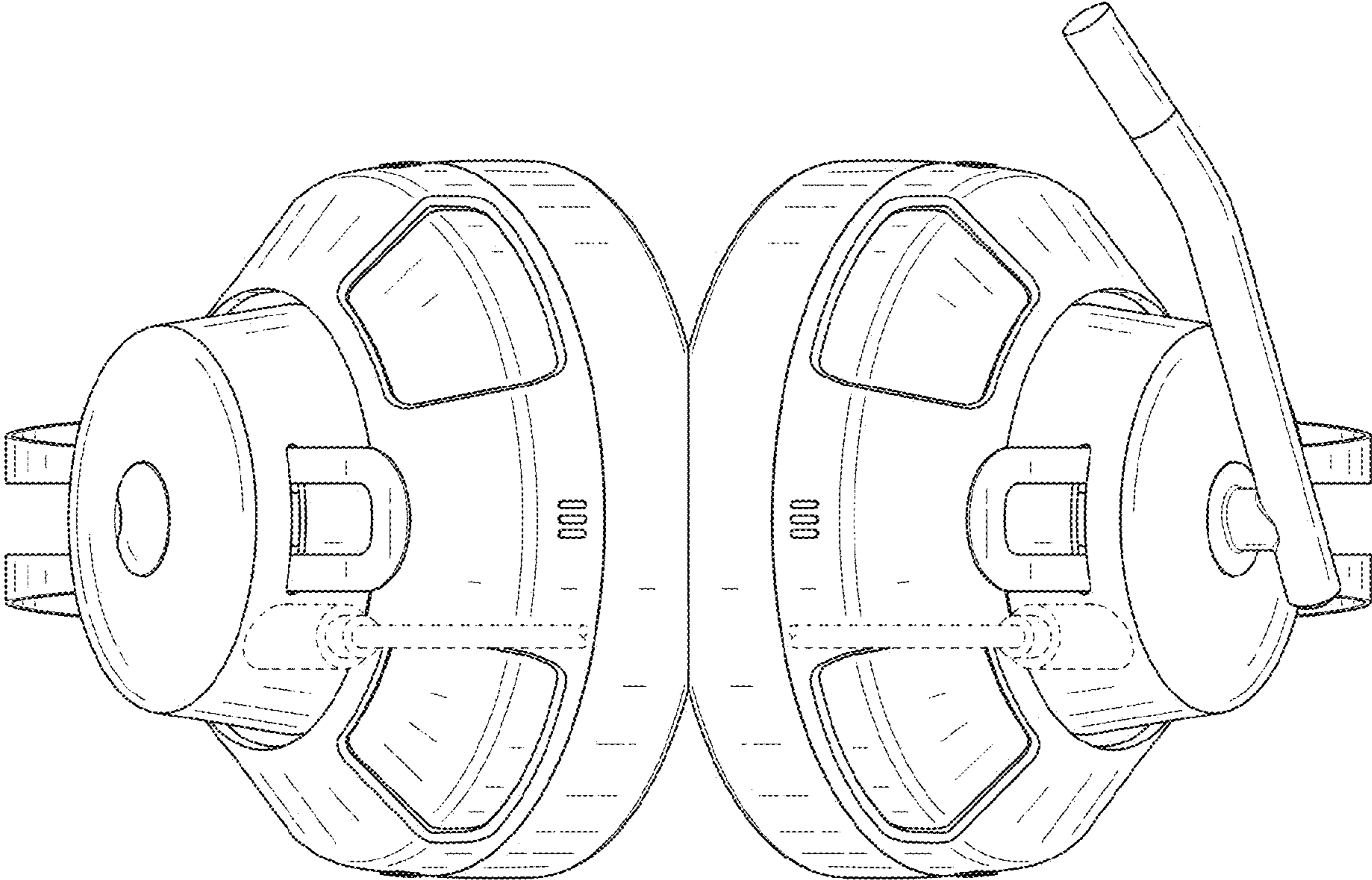


FIG. 7



FIG. 8

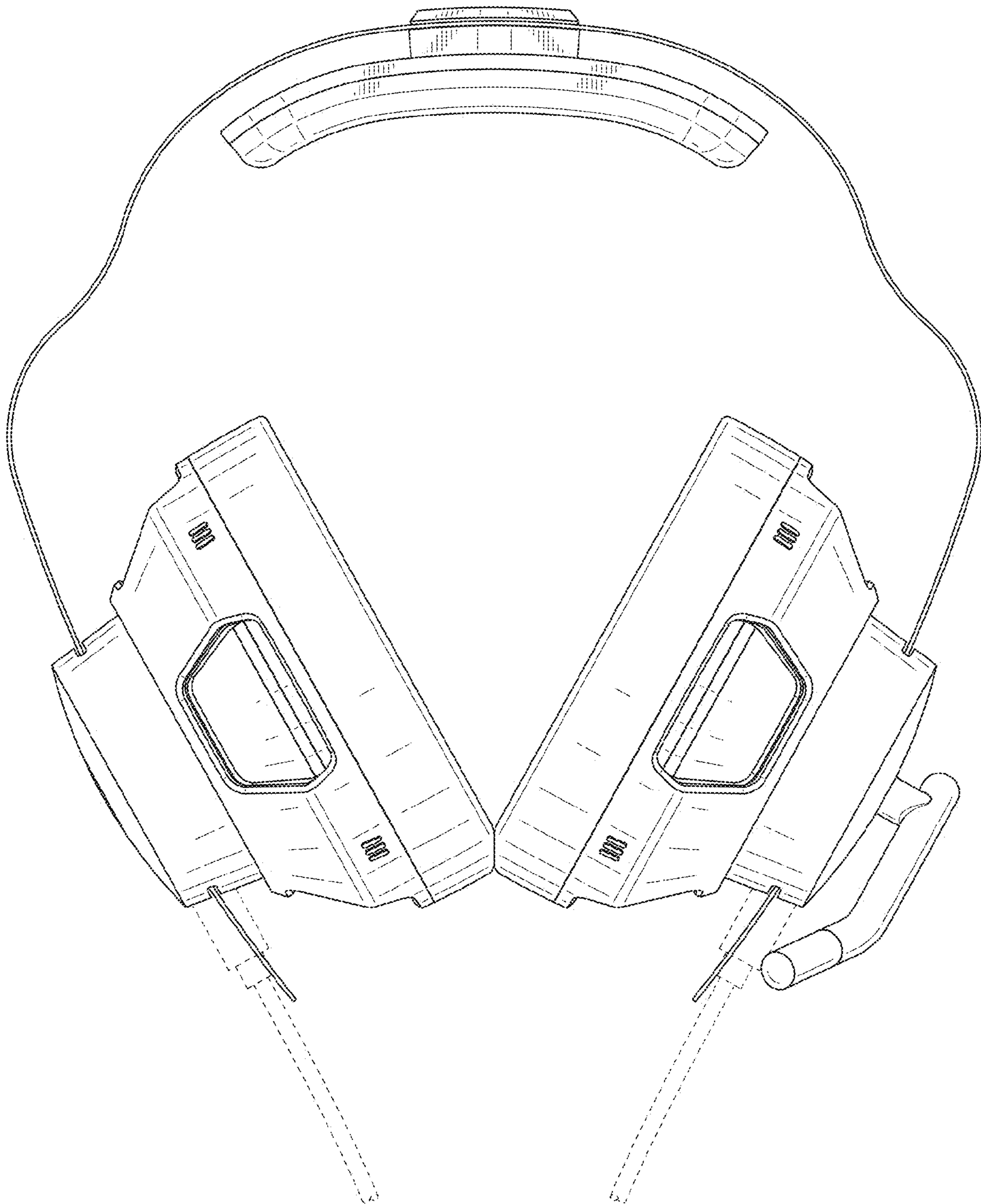


FIG. 9

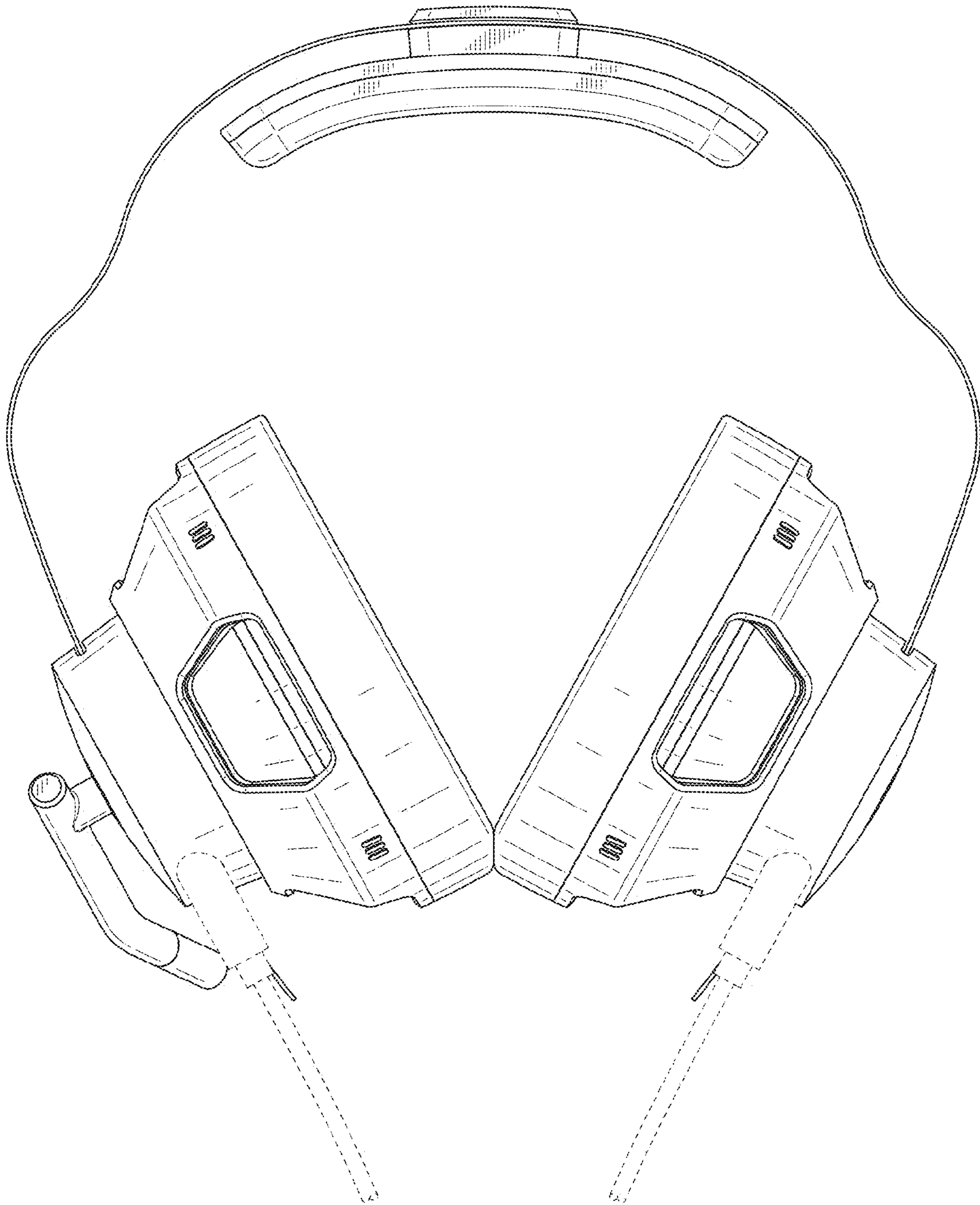


FIG. 10

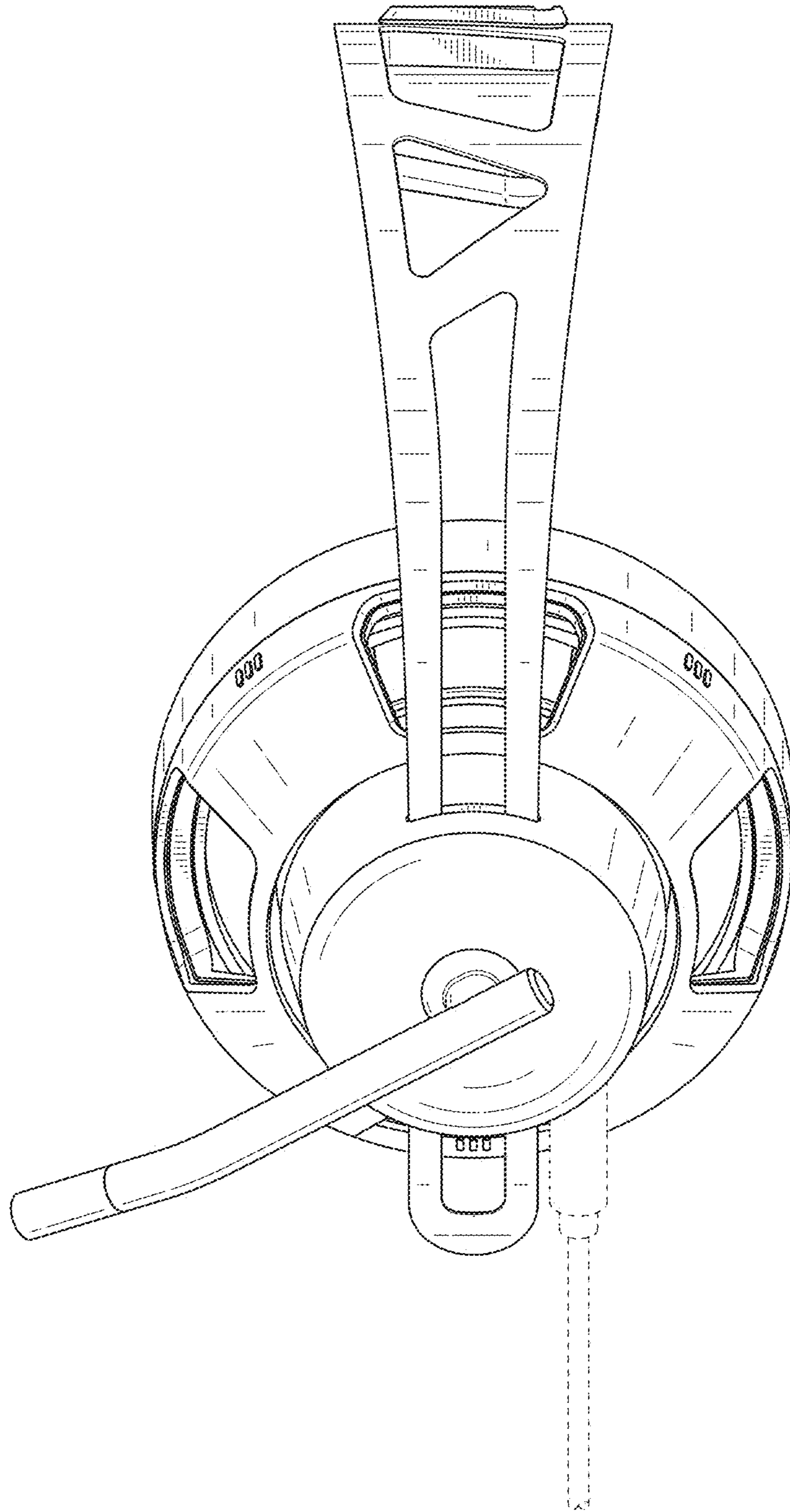


FIG. 11

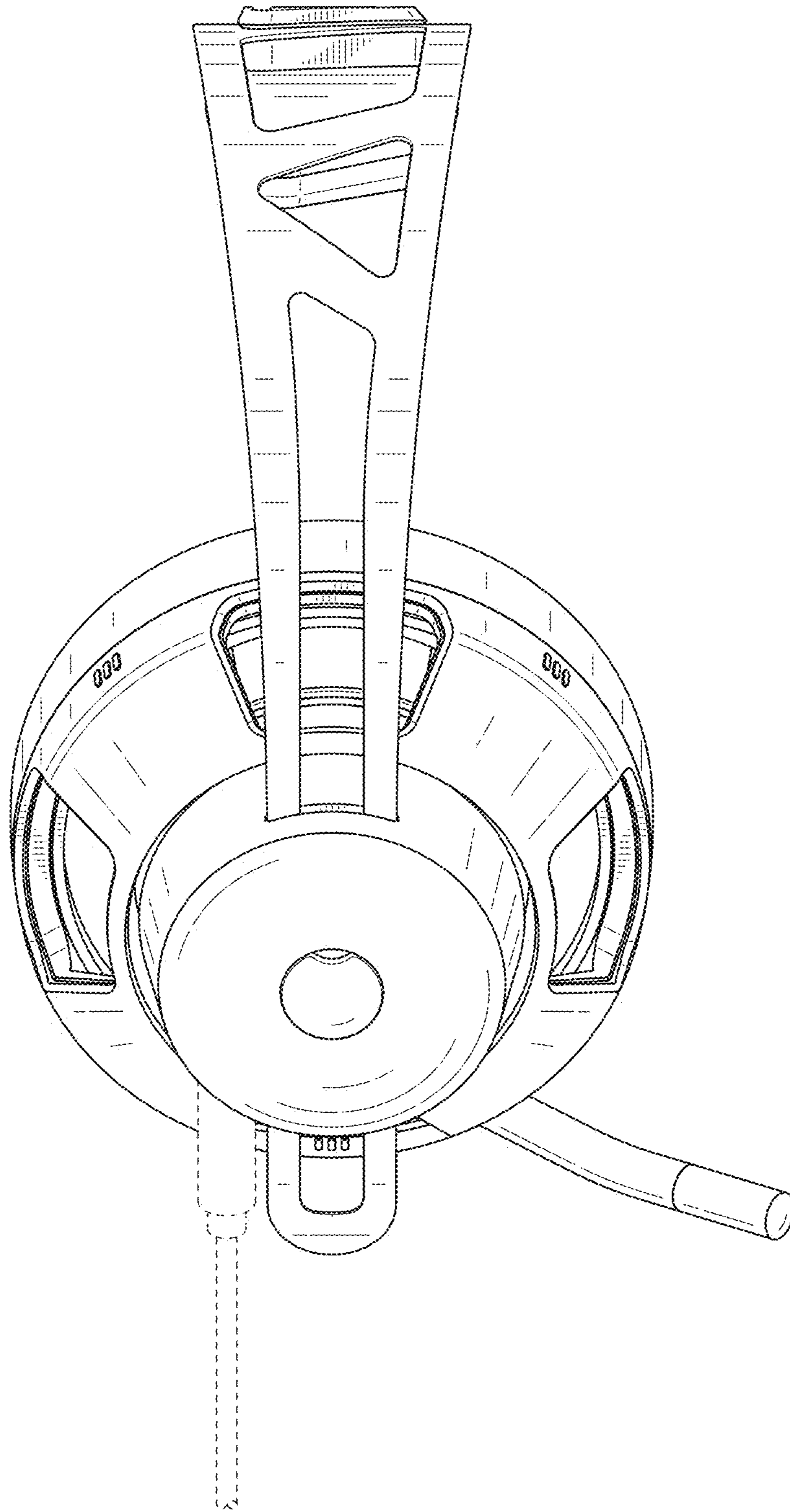


FIG. 12

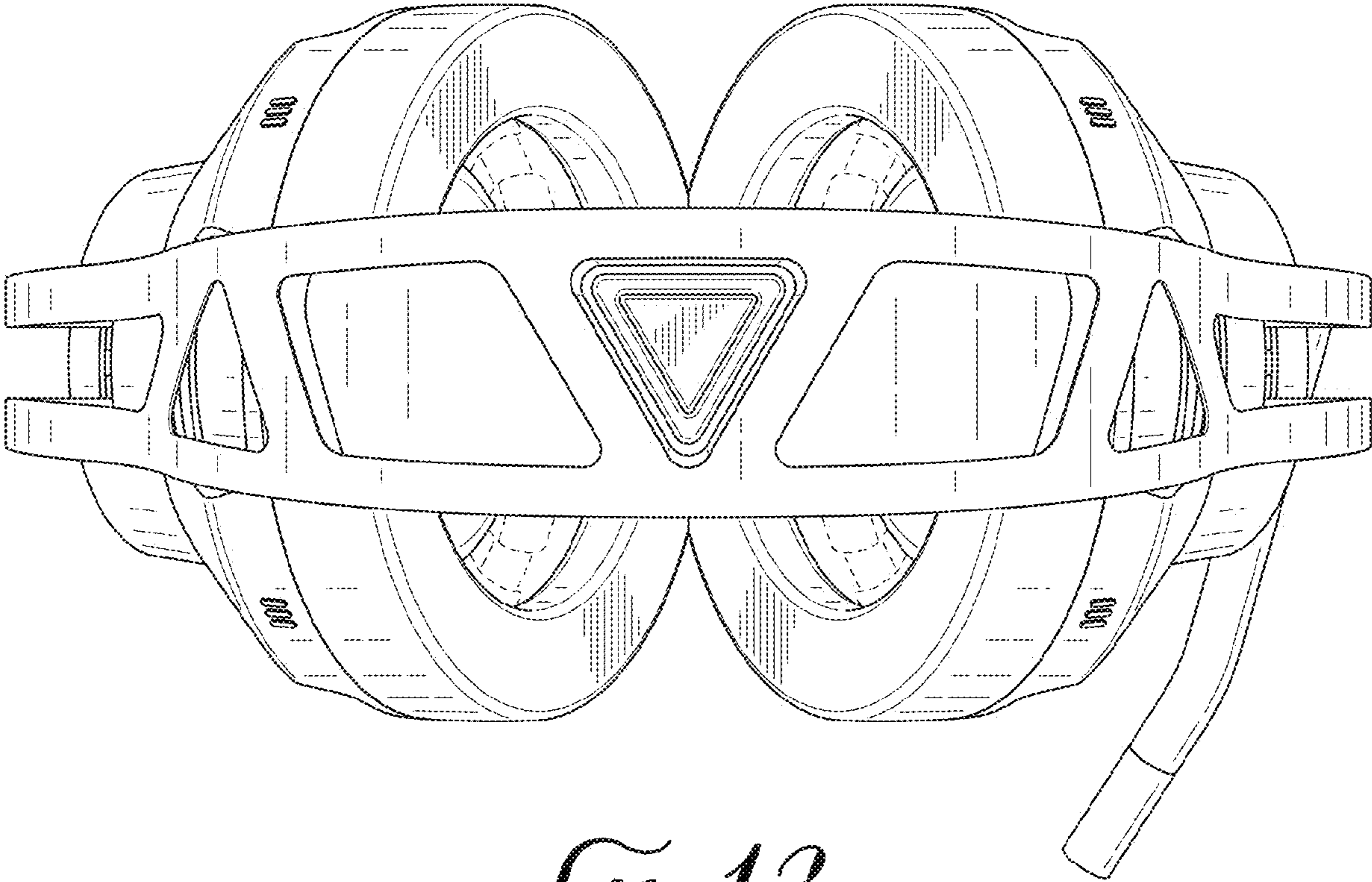


FIG. 13

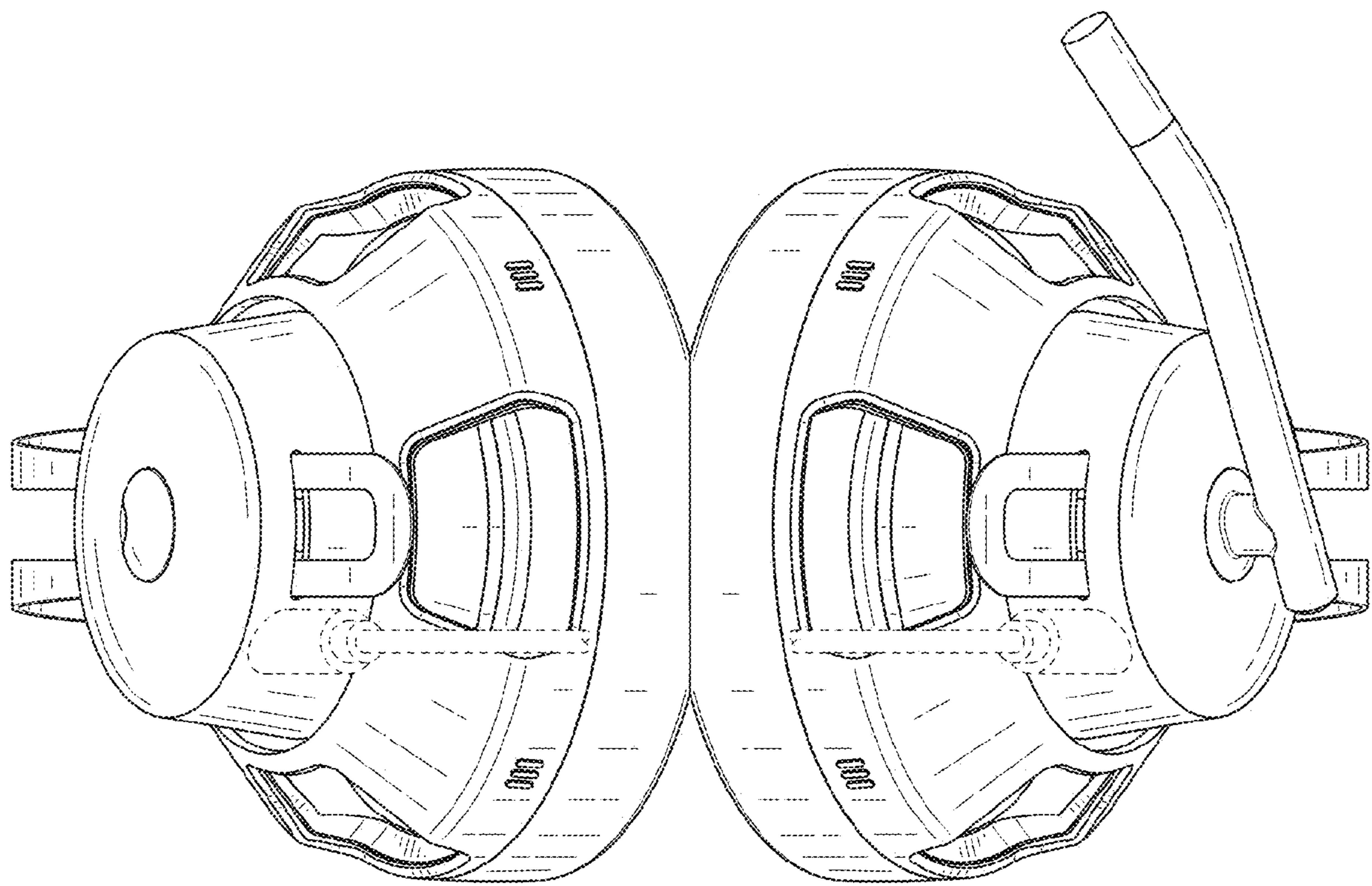


FIG. 14

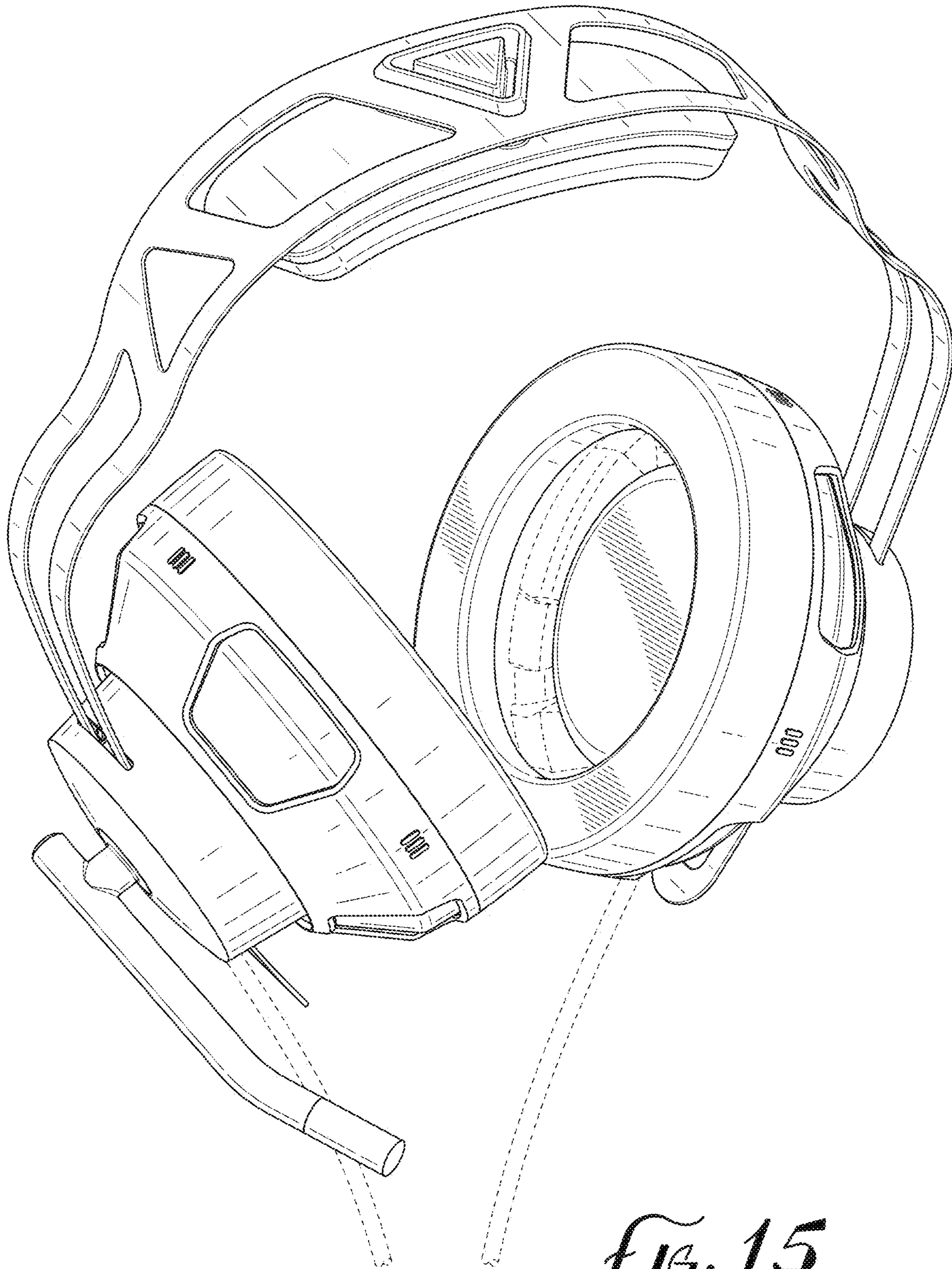


FIG. 15

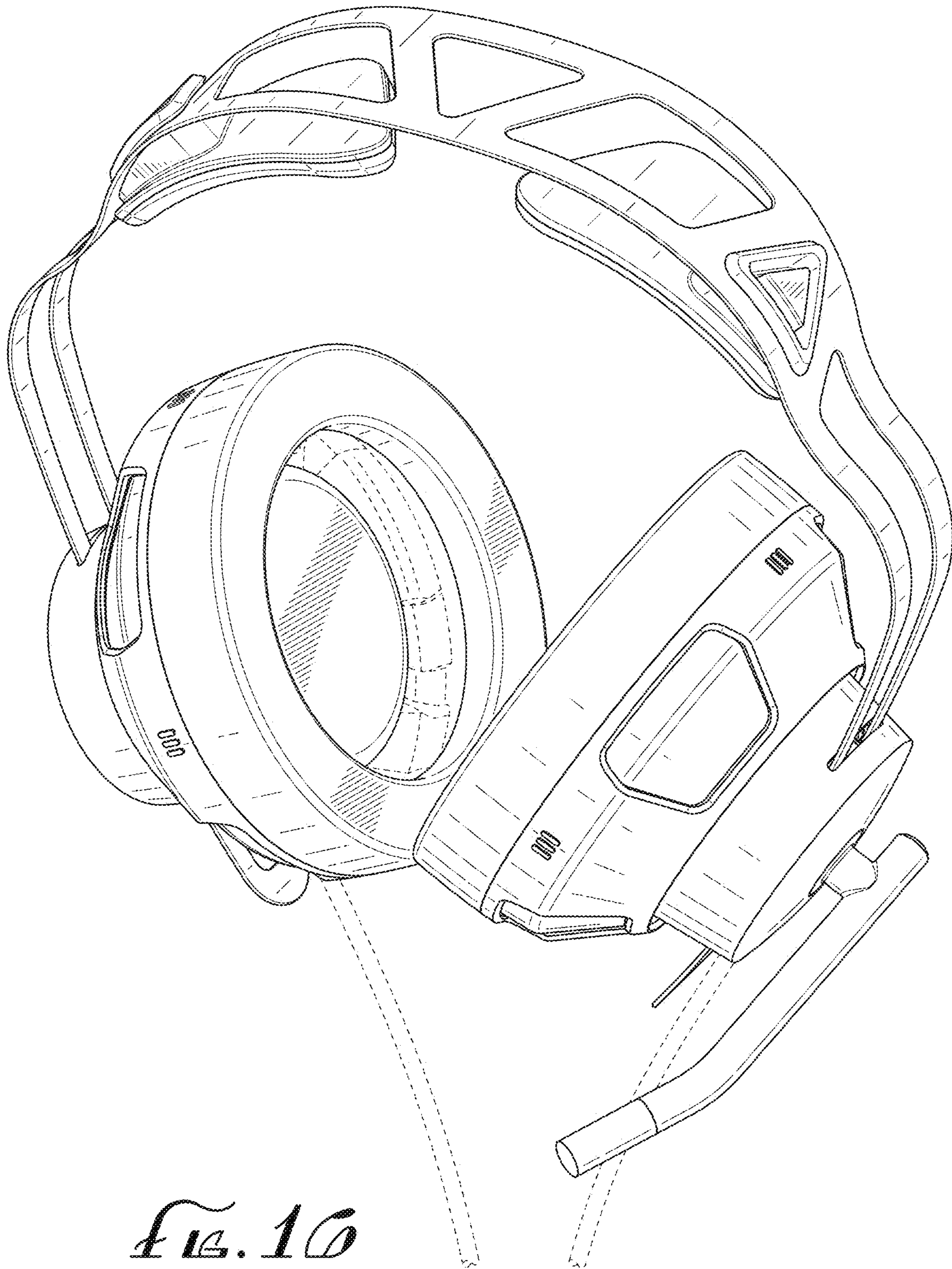


FIG. 10



FIG. 17



FIG. 18

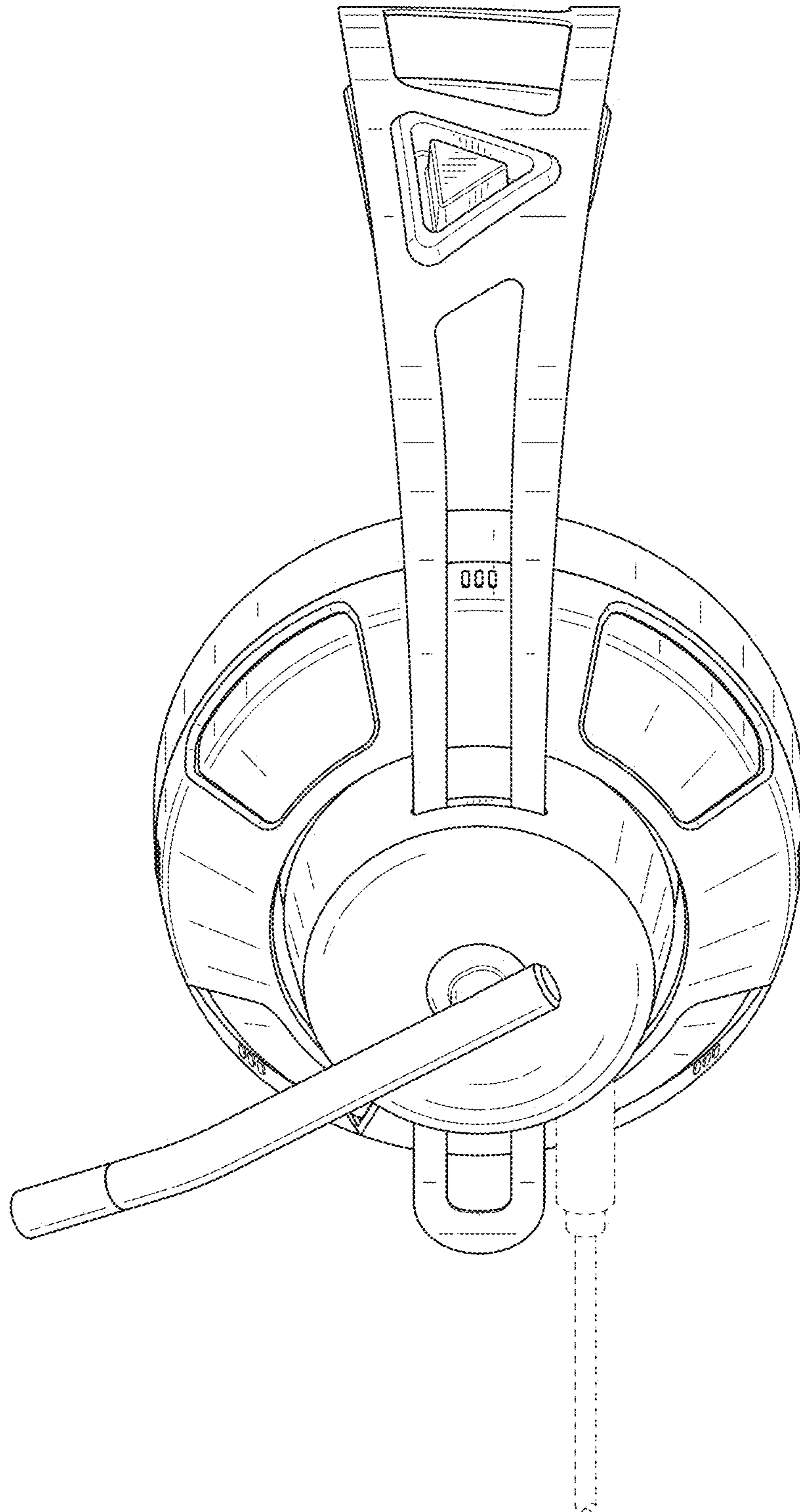


FIG. 19

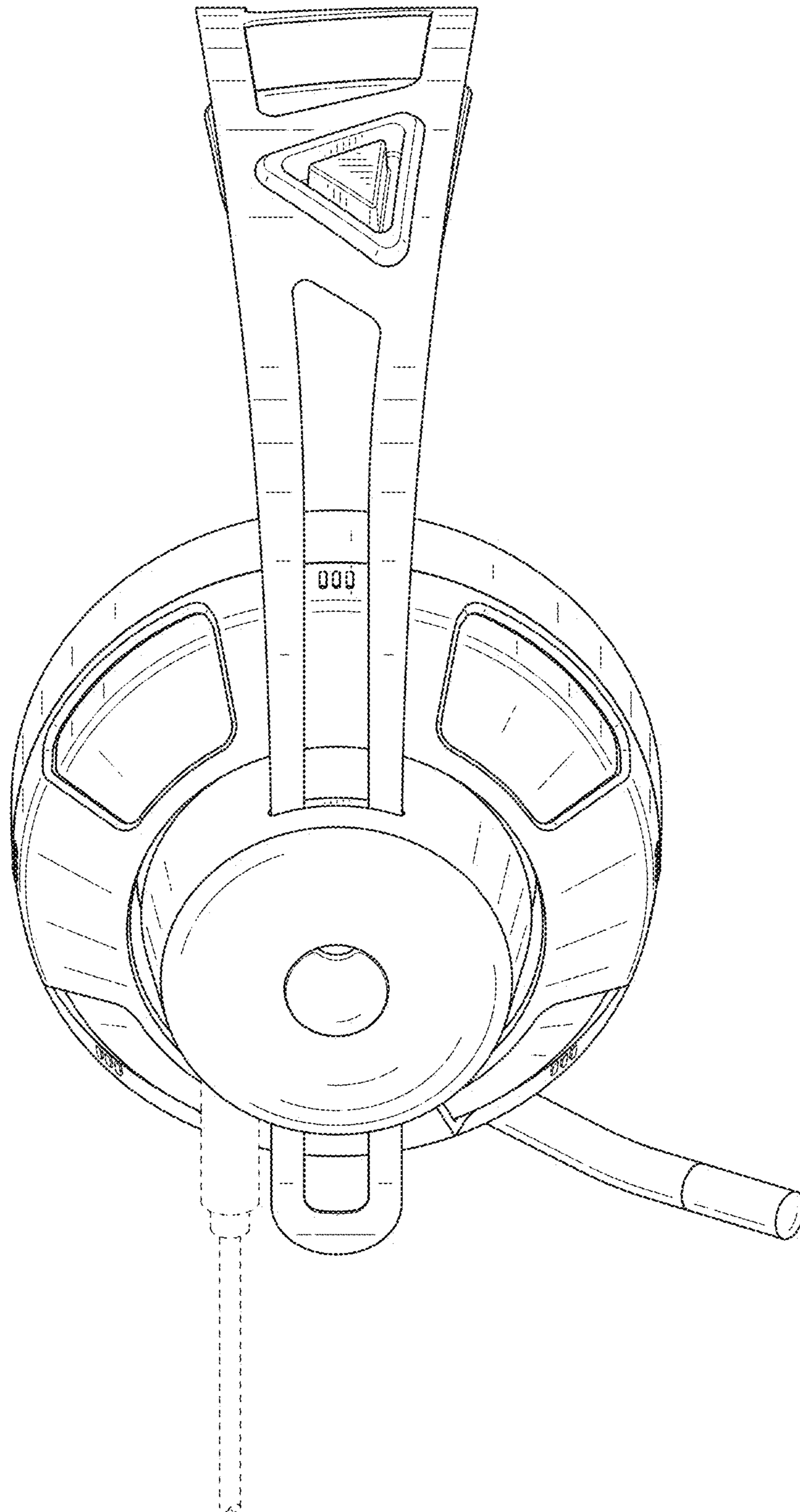


FIG. 20

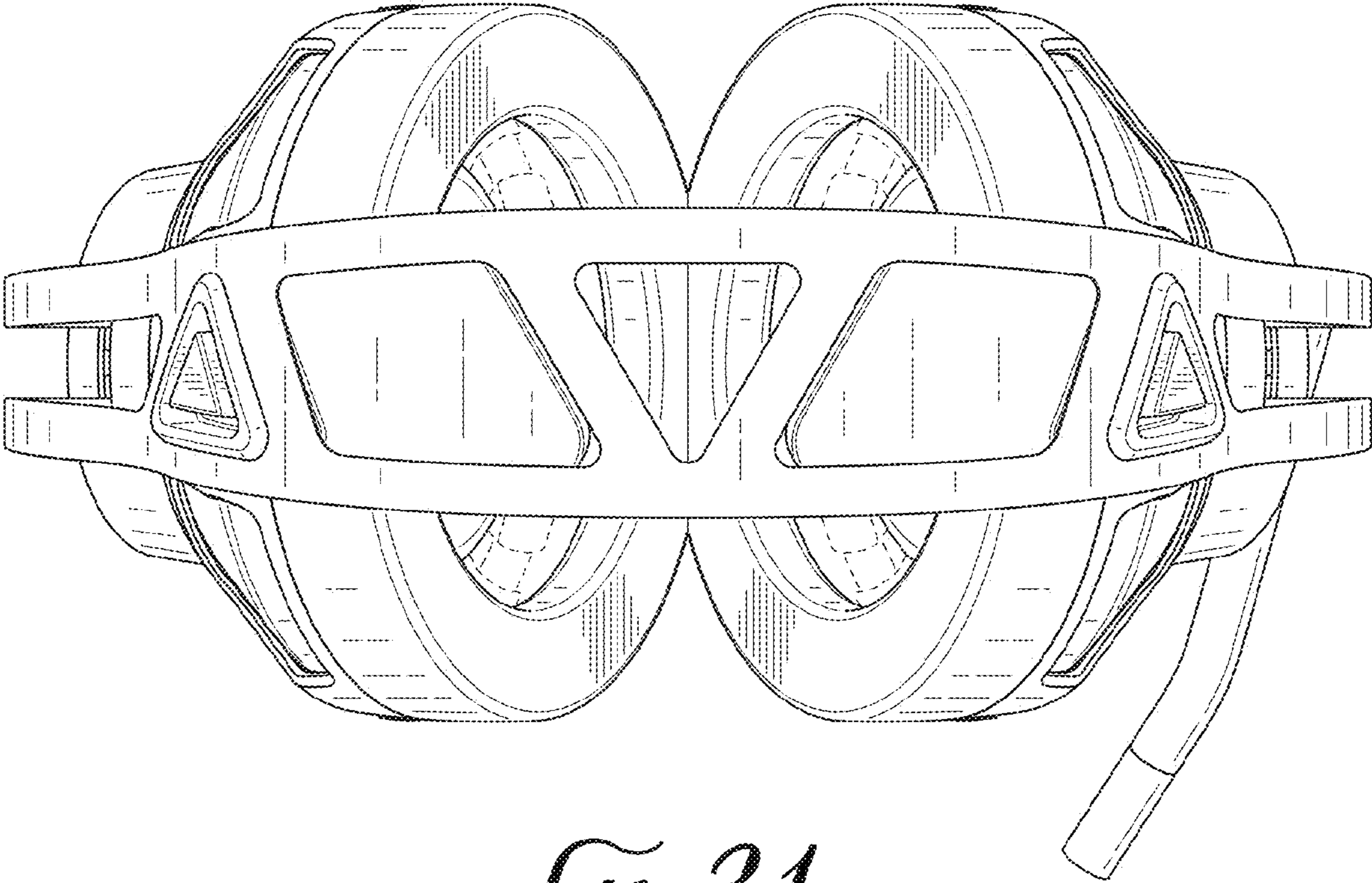


FIG. 21

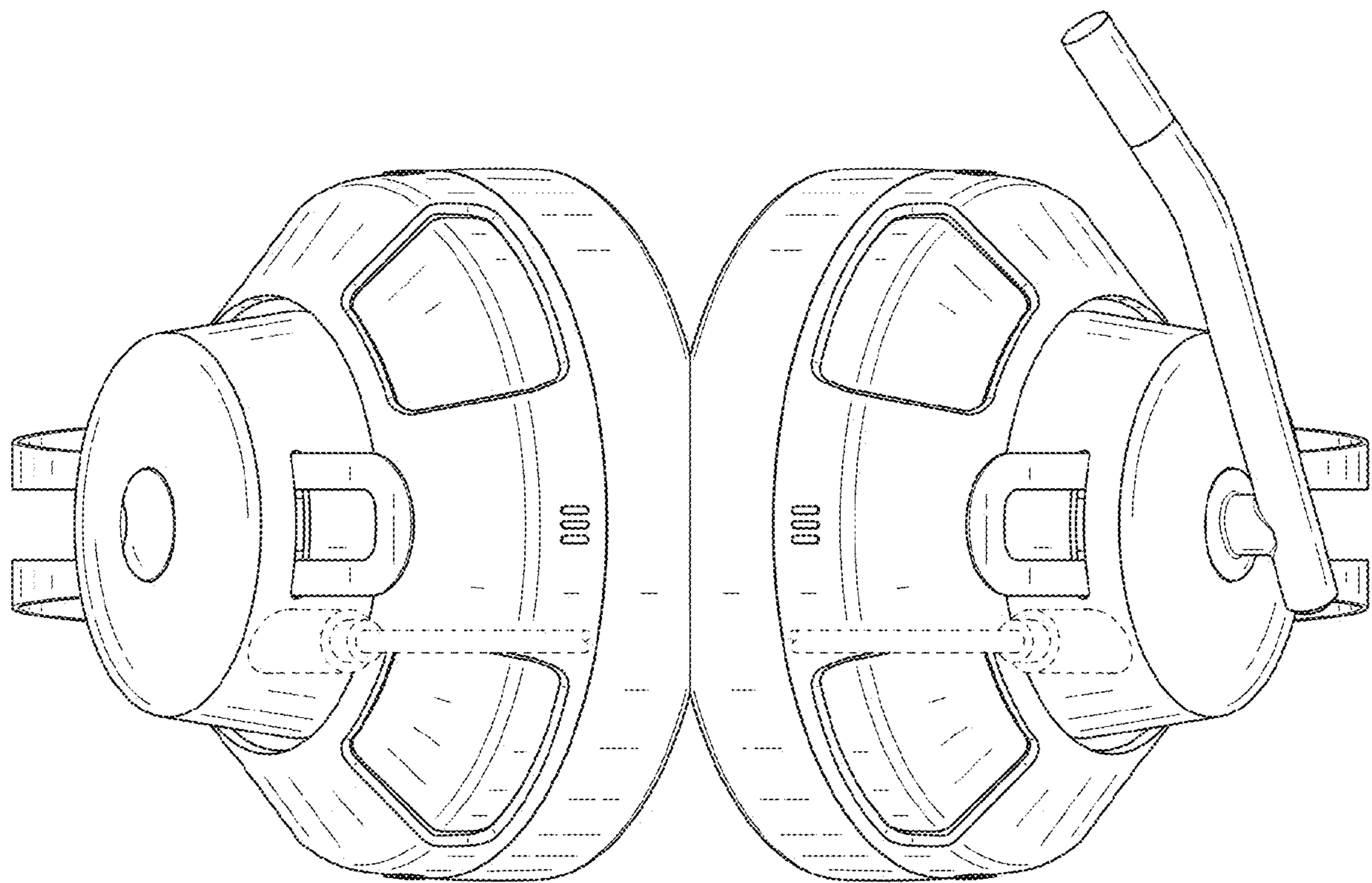


FIG. 22



FIG. 23



FIG. 24

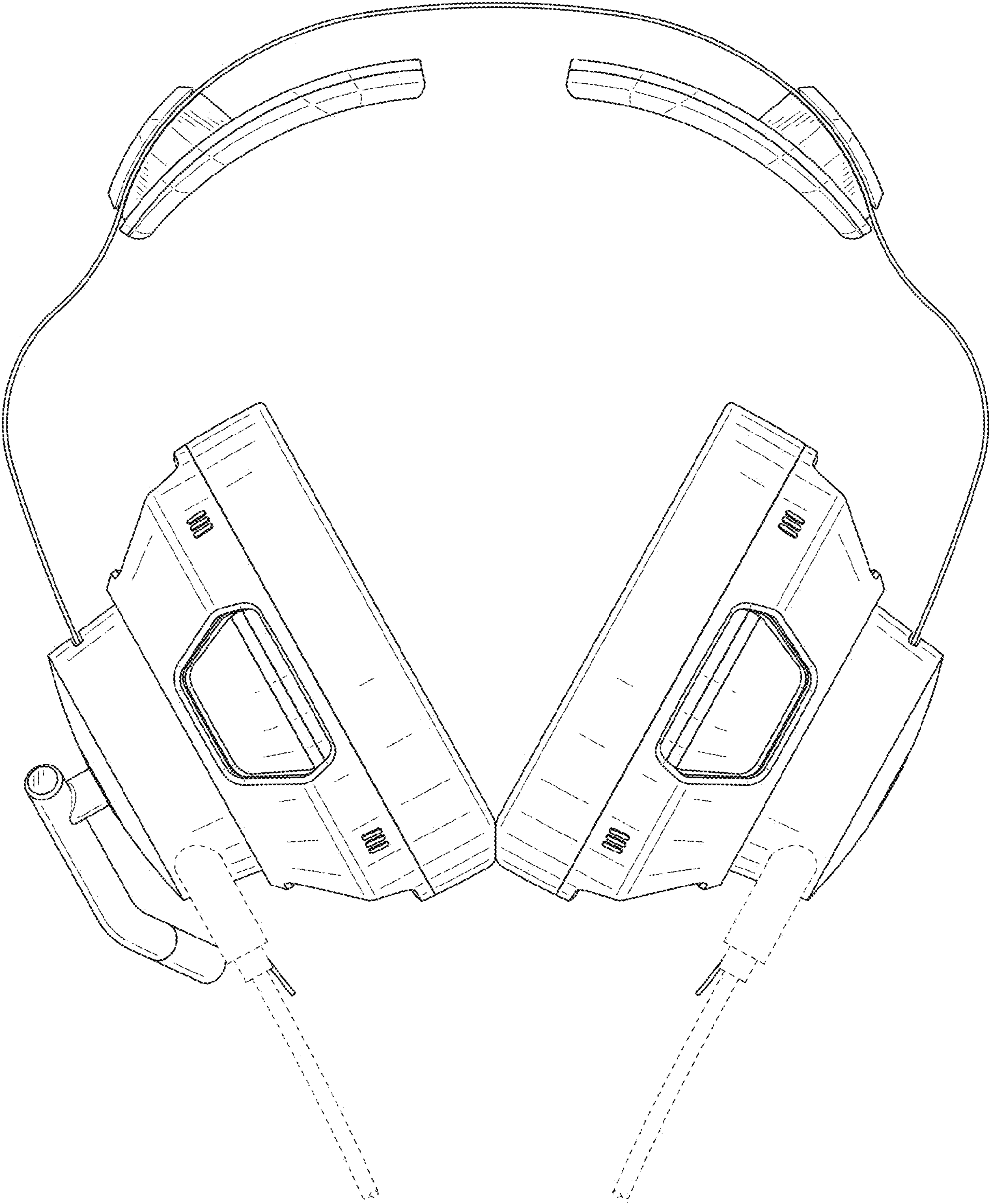


FIG. 25

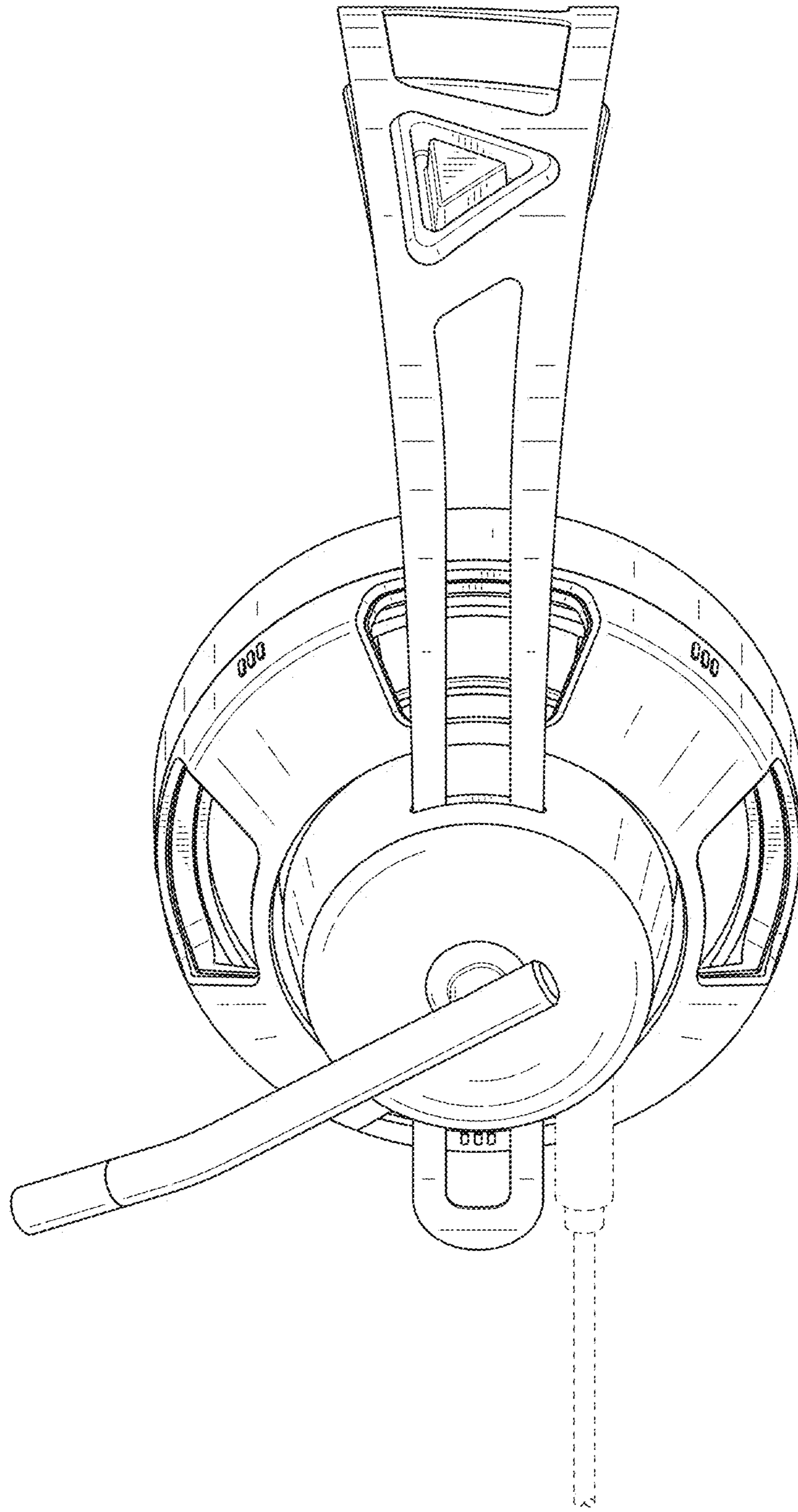


FIG. 20

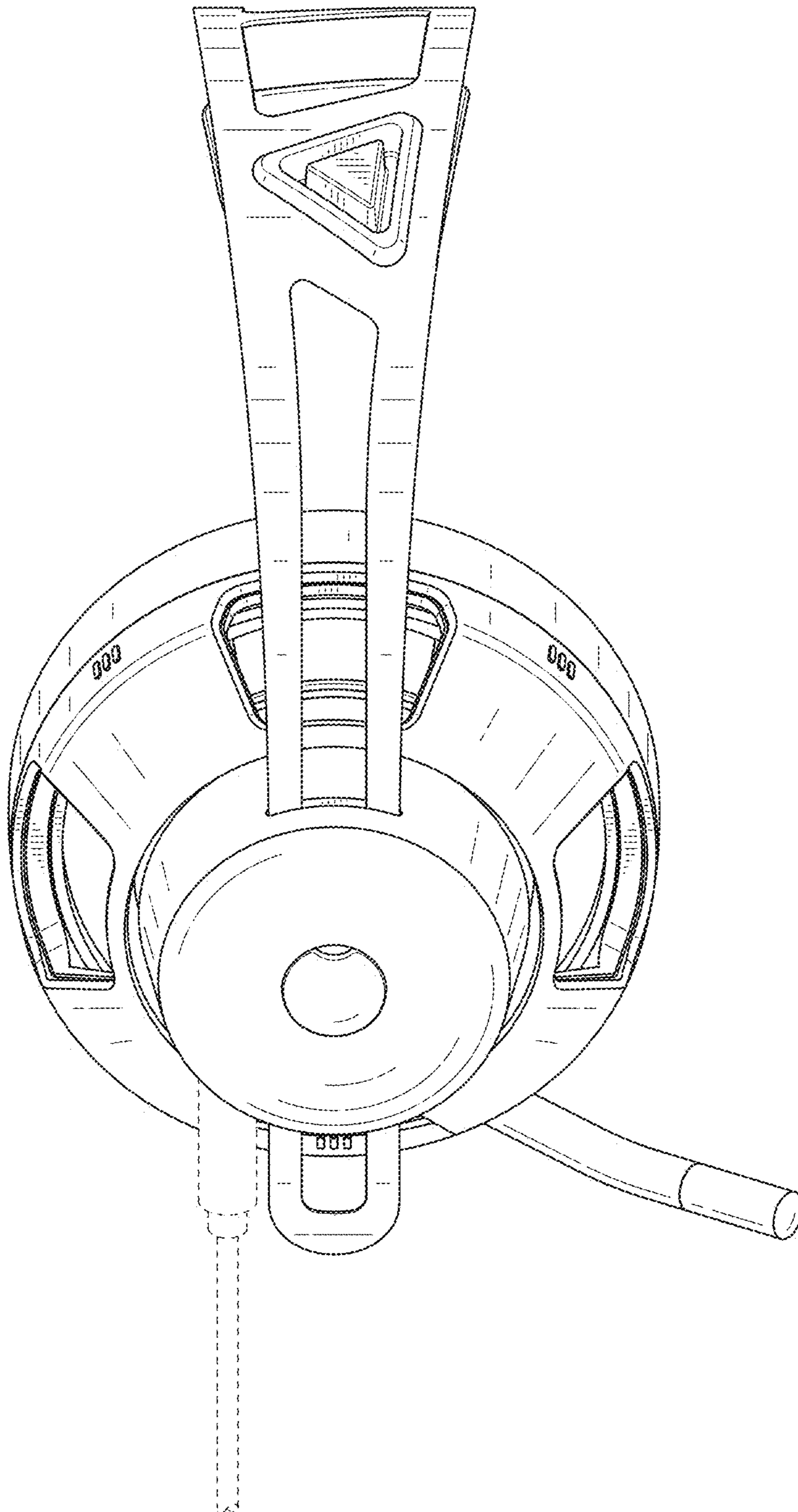


FIG. 27

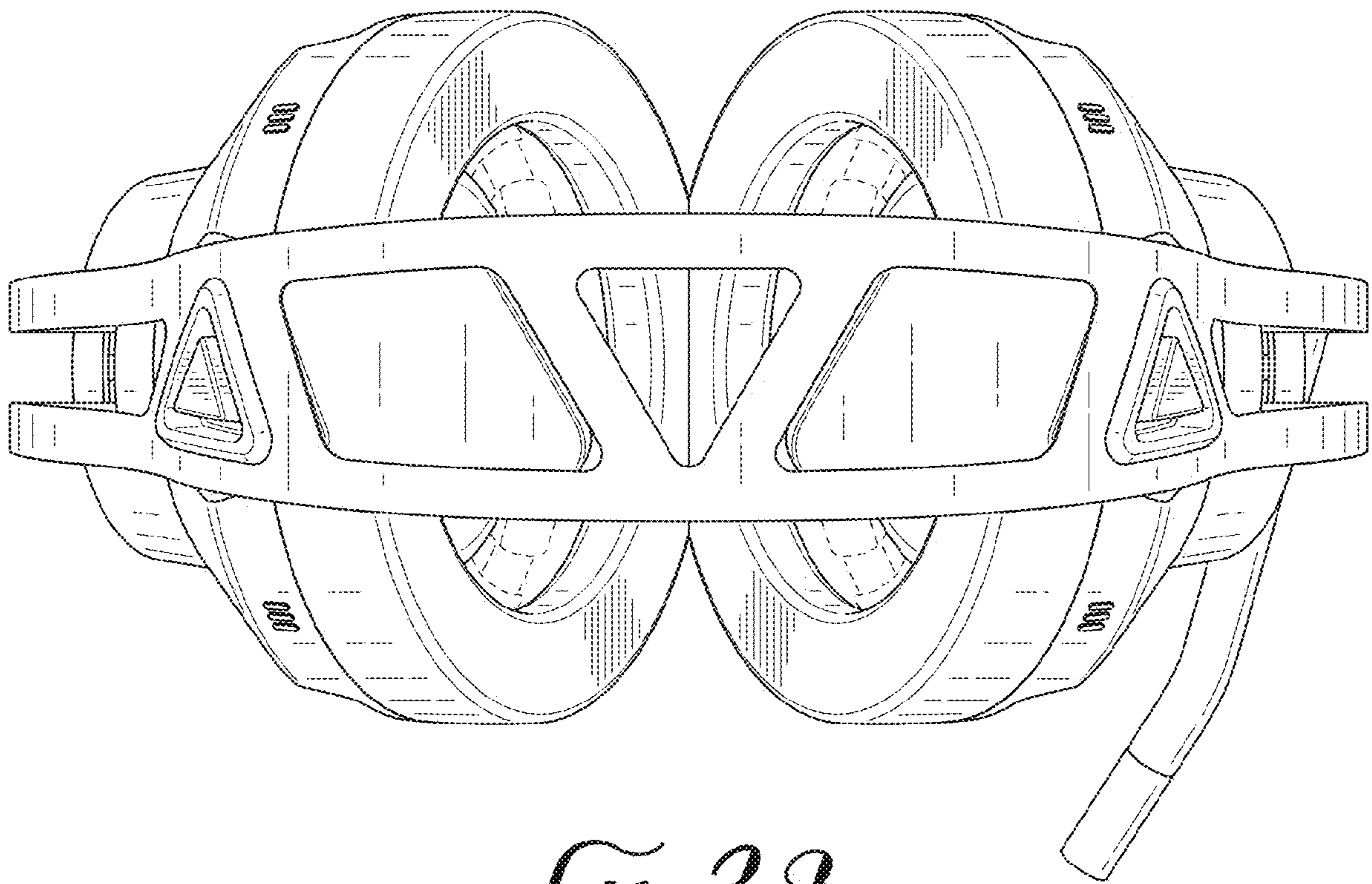


FIG. 28

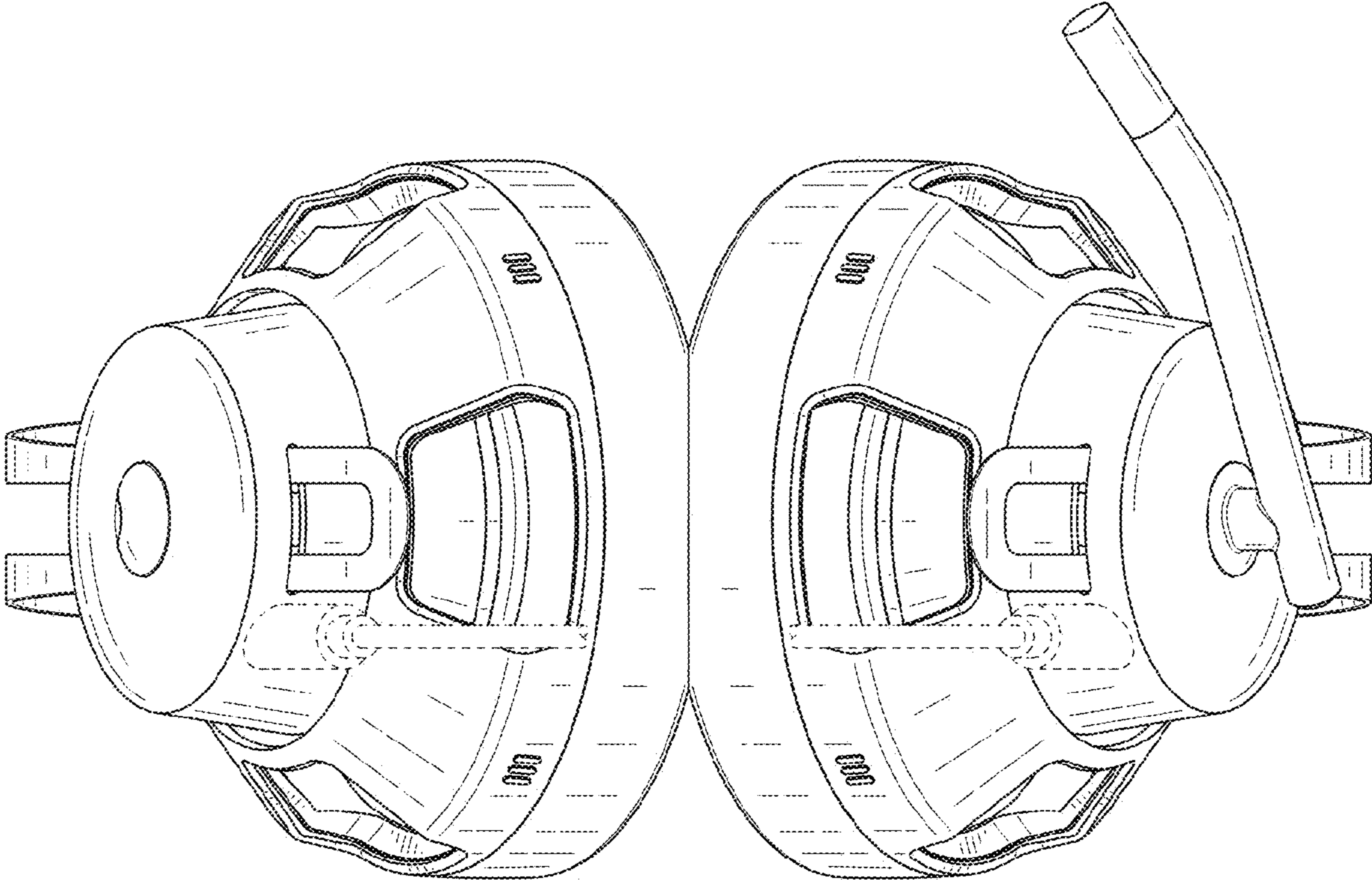


FIG. 29

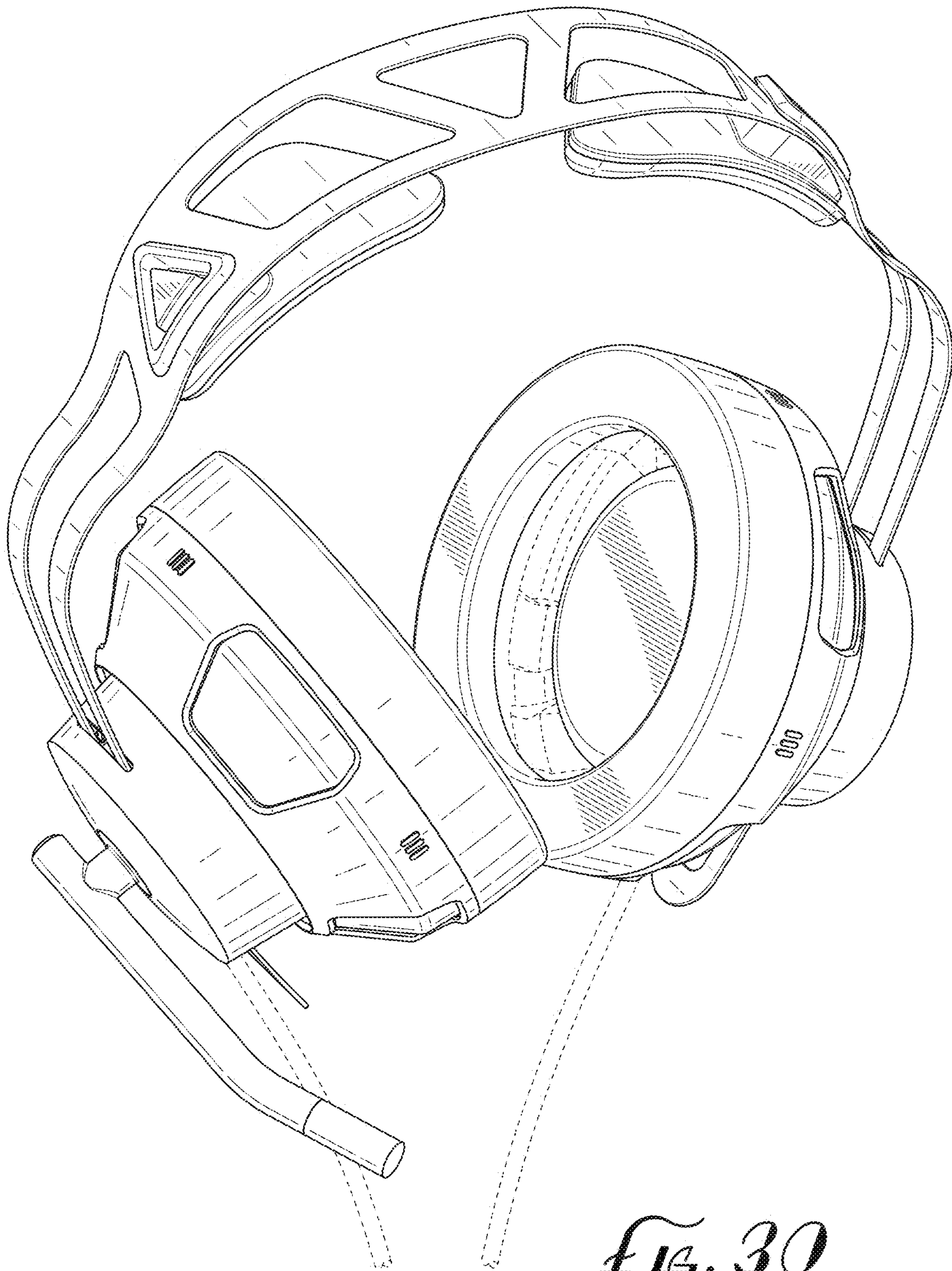


FIG. 30