



US00D877716S

(12) **United States Design Patent**
Hu

(10) **Patent No.:** **US D877,716 S**
(45) **Date of Patent:** **** Mar. 10, 2020**

(54) **HEADPHONES**

(71) Applicant: **SHENZHEN QIANHAI PATUOXUN NETWORK AND TECHNOLOGY CO., LTD**, Shenzhen (CN)

(72) Inventor: **Zaihui Hu**, Shenzhen (CN)

(73) Assignee: **SHENZHEN QIANHAI PATUOXUN NETWORK AND TECHNOLOGY CO., LTD**, Shenzhen (CN)

(**) Term: **15 Years**

(21) Appl. No.: **29/712,960**

(22) Filed: **Nov. 13, 2019**

(51) **LOC (12) Cl.** **14-01**

(52) **U.S. Cl.**
USPC **D14/205**

(58) **Field of Classification Search**
USPC D14/205, 223; D29/112; 2/209;
181/129, 130, 135; 379/430, 431;
381/380, 381, 374; 455/90.3, 575.1,
455/569.1
CPC H04R 1/1066; H04R 1/1016; H04R 25/00;
H04R 5/033; H04R 5/0335; H04R
1/1083; H04R 1/1091; H04R 1/105
See application file for complete search history.

(56) **References Cited**

U.S. PATENT DOCUMENTS

4,385,209	A *	5/1983	Greason	H04R 19/016 307/400
D274,516	S *	7/1984	Walker, Jr.	D14/249
4,689,822	A *	8/1987	Houng	H04R 1/1066 381/371
D328,074	S *	7/1992	Yamazaki	D14/205
D484,485	S *	12/2003	Matsuoka	D14/205
D512,416	S *	12/2005	Medina Malaver	A61N 1/36036 D14/205
D512,417	S *	12/2005	Hirakawa	D14/223
D534,155	S *	12/2006	Obata	D14/205

D552,077	S *	10/2007	Brunner	D14/205
D563,382	S *	3/2008	Wikel	D14/205
7,388,960	B2 *	6/2008	Kuo	H04R 1/1041 379/430
D573,581	S *	7/2008	Gondo	D14/205
D593,995	S *	6/2009	Shimizu	D14/205
D625,705	S *	10/2010	Ohuri	D14/205
D632,668	S *	2/2011	Brunner	D14/205
D635,959	S *	4/2011	Hutchieson	D14/205
D637,176	S *	5/2011	Brunner	D14/205
D643,833	S *	8/2011	Lee	D14/223
D652,406	S *	1/2012	Lee	D14/205
D657,344	S *	4/2012	Brunner	D14/205
D657,776	S *	4/2012	Lee	D14/205

(Continued)

FOREIGN PATENT DOCUMENTS

EM	001360820-0002	*	2/2013
EM	007224365-0004	*	11/2019
EM	007481221-0003	*	1/2020

Primary Examiner — Paula Allen Greene

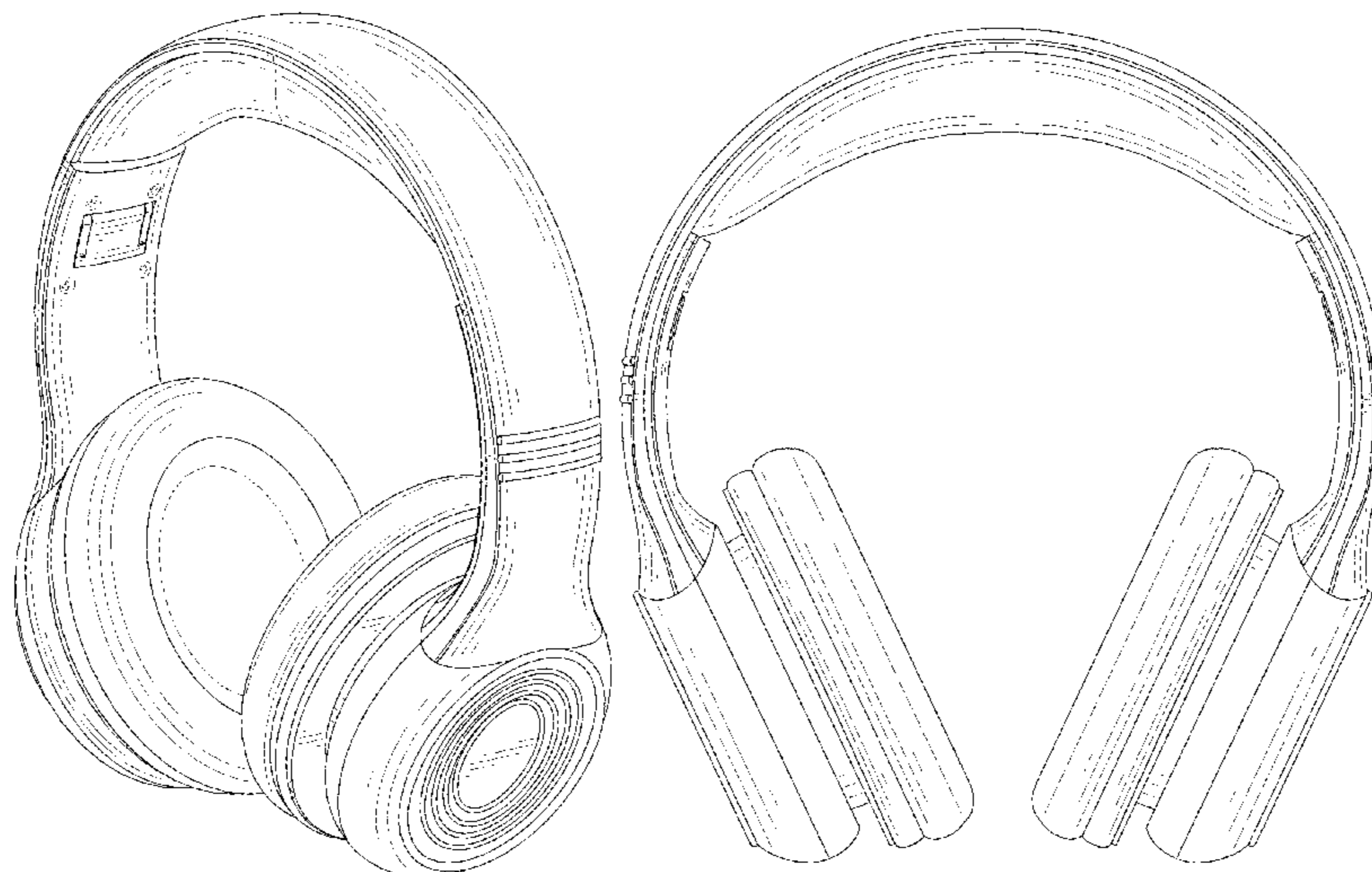
(57) **CLAIM**

The ornamental design for headphones, as shown and described.

DESCRIPTION

FIG. 1 is a perspective view of headphones showing my new design;
FIG. 2 is another perspective view thereof;
FIG. 3 is a front elevational view thereof;
FIG. 4 is a rear elevational view thereof;
FIG. 5 is a left side elevational view thereof;
FIG. 6 is a right side elevational view thereof;
FIG. 7 is a top plan view thereof; and,
FIG. 8 is a bottom plan view thereof.
The broken lines in the drawings depict portions of the headphones that form no part of the claimed design.

1 Claim, 8 Drawing Sheets



(56)

References Cited

U.S. PATENT DOCUMENTS

D660,823 S * 5/2012 Hardi D14/205
 D660,824 S * 5/2012 Hardi D14/205
 D662,080 S * 6/2012 Carr D14/205
 D663,716 S * 7/2012 Hardi D14/205
 D664,117 S * 7/2012 Tappeiner D14/205
 D664,118 S 7/2012 Tappeiner et al.
 D669,451 S * 10/2012 Tappeiner D14/205
 D671,914 S * 12/2012 Lee D14/205
 D673,136 S * 12/2012 Kelly D14/205
 D673,518 S * 1/2013 Tan D14/205
 D675,595 S * 2/2013 Cho D14/205
 D677,647 S * 3/2013 Lee D14/205
 D678,860 S * 3/2013 Hagelin D14/205
 D683,329 S * 5/2013 Hagelin D14/205
 D686,592 S * 7/2013 Gondo D14/205
 D691,579 S * 10/2013 Lee D14/205
 D696,643 S * 12/2013 Lee D14/205
 D696,644 S * 12/2013 Sejpka D14/205
 D699,702 S * 2/2014 Chen D14/205
 D706,240 S * 6/2014 Szymanski H04R 1/1066
 D14/205
 D706,241 S * 6/2014 Szymanski H04R 1/1066
 D14/205

D708,163 S * 7/2014 Ishikura D14/205
 D711,348 S * 8/2014 Yang D14/205
 D712,871 S 9/2014 McNamara
 D728,512 S * 5/2015 Nakagawa D14/205
 D733,092 S * 6/2015 Gan D14/205
 D738,850 S * 9/2015 Chung D14/205
 D758,337 S * 6/2016 Szymanski D14/205
 D760,687 S * 7/2016 Brunner D14/205
 D765,055 S * 8/2016 Hsieh D14/205
 D786,824 S * 5/2017 Hembrey D14/205
 D791,103 S * 7/2017 Brunner D14/205
 D791,733 S * 7/2017 Brunner D14/205
 D811,364 S * 2/2018 Park D14/205
 D815,060 S 4/2018 Ando et al.
 D852,777 S * 7/2019 Park D14/206
 D858,483 S * 9/2019 Hu D14/205
 D868,731 S * 12/2019 Jung D14/205
 D871,367 S * 12/2019 Zhijun D14/205
 2010/0046781 A1 * 2/2010 Chen H04R 1/1091
 381/371
 2014/0056459 A1 * 2/2014 Oishi H04R 31/00
 381/370
 2017/0041697 A1 * 2/2017 Levine H04R 1/1033
 2019/0215592 A1 * 7/2019 Lu H04R 1/1066
 2019/0364356 A1 * 11/2019 Lewis H04R 5/0335

* cited by examiner

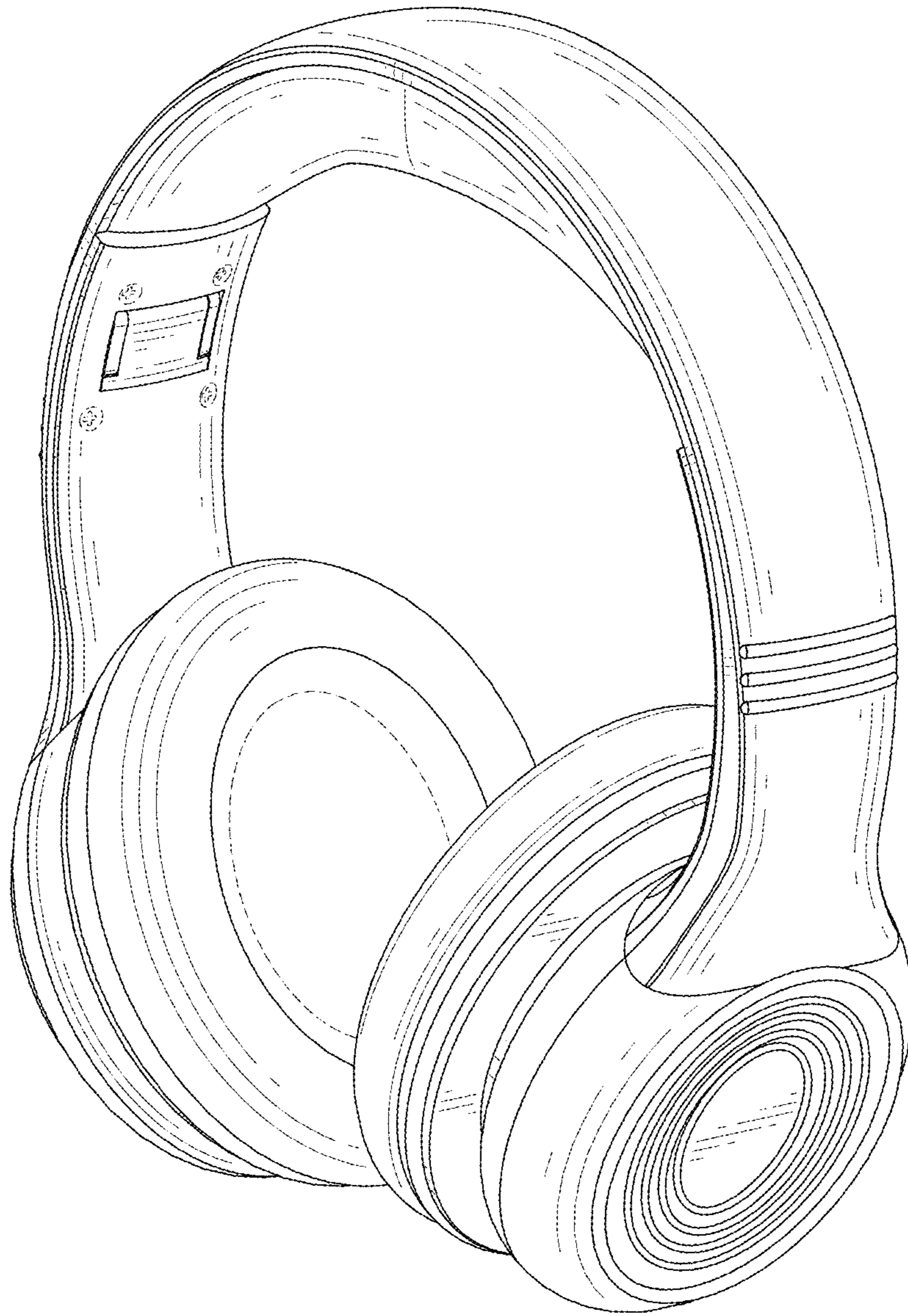


FIG. 1

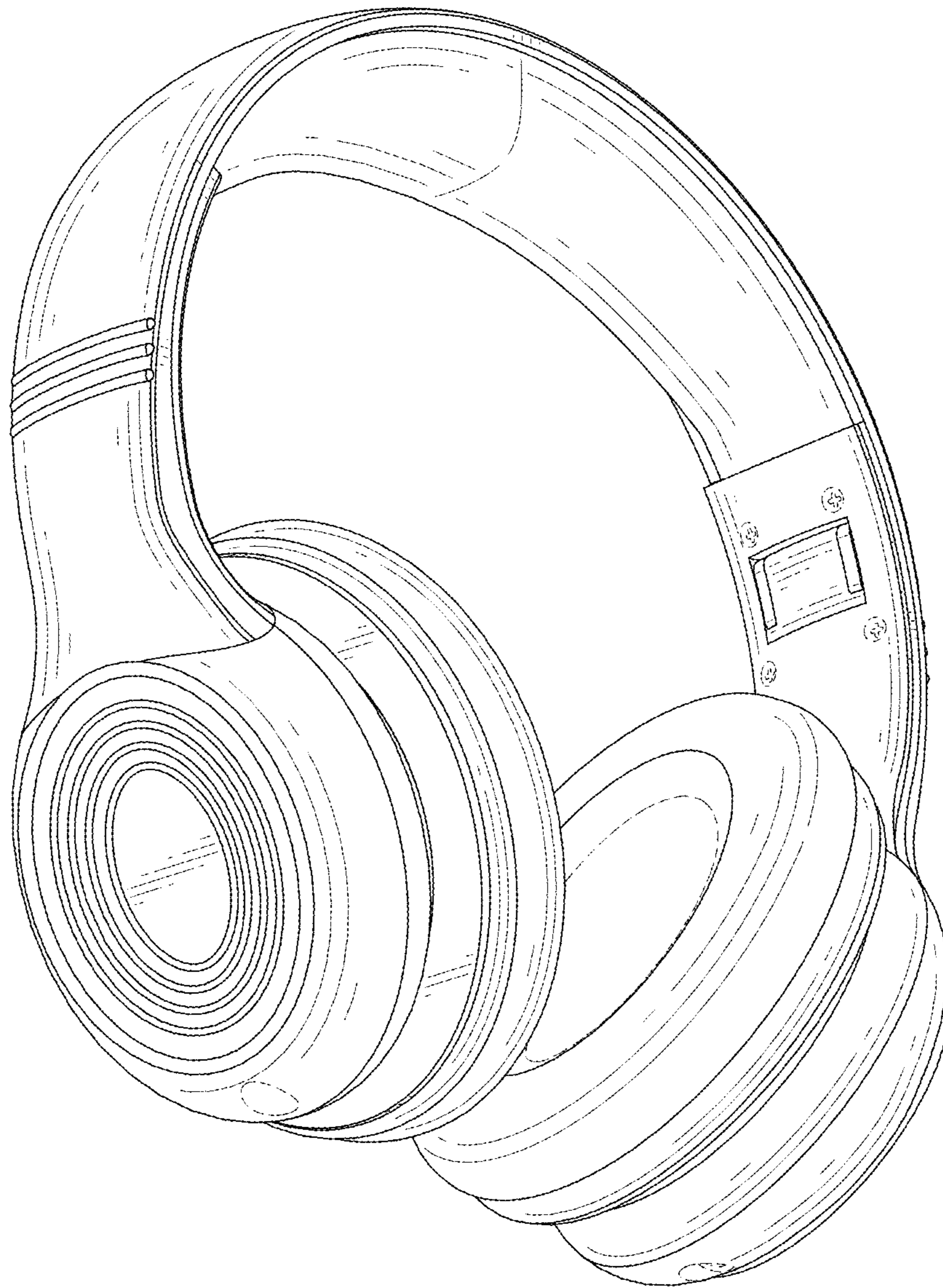


FIG. 2



FIG. 3



FIG. 4

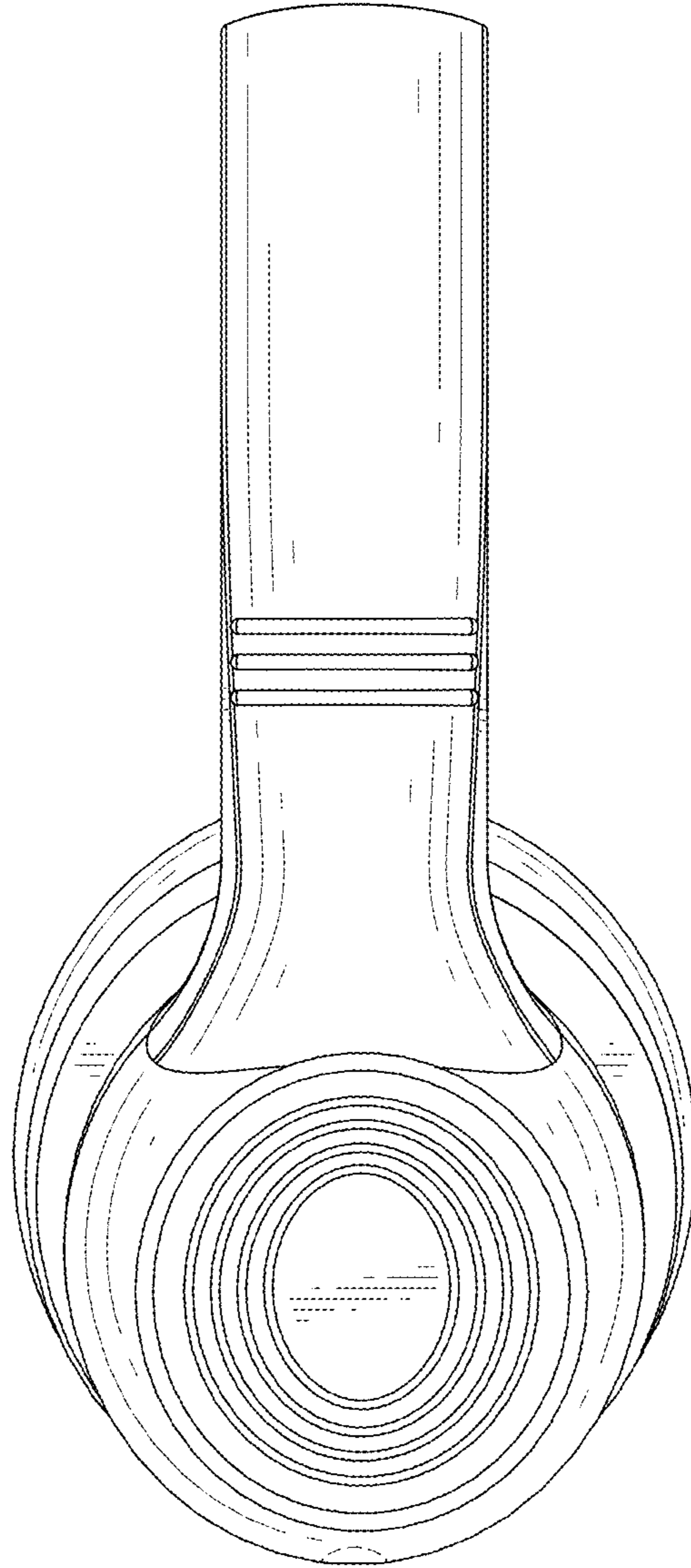


FIG. 5

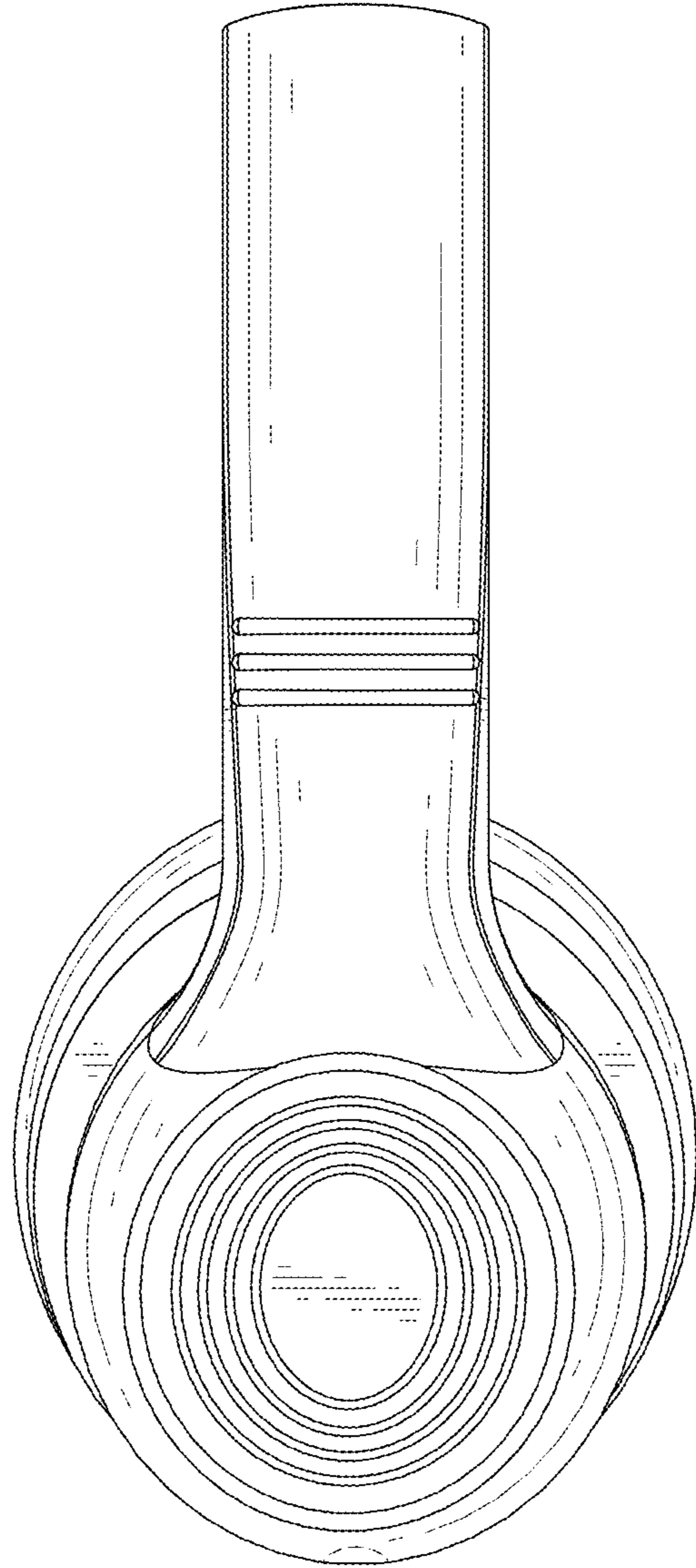


FIG. 6

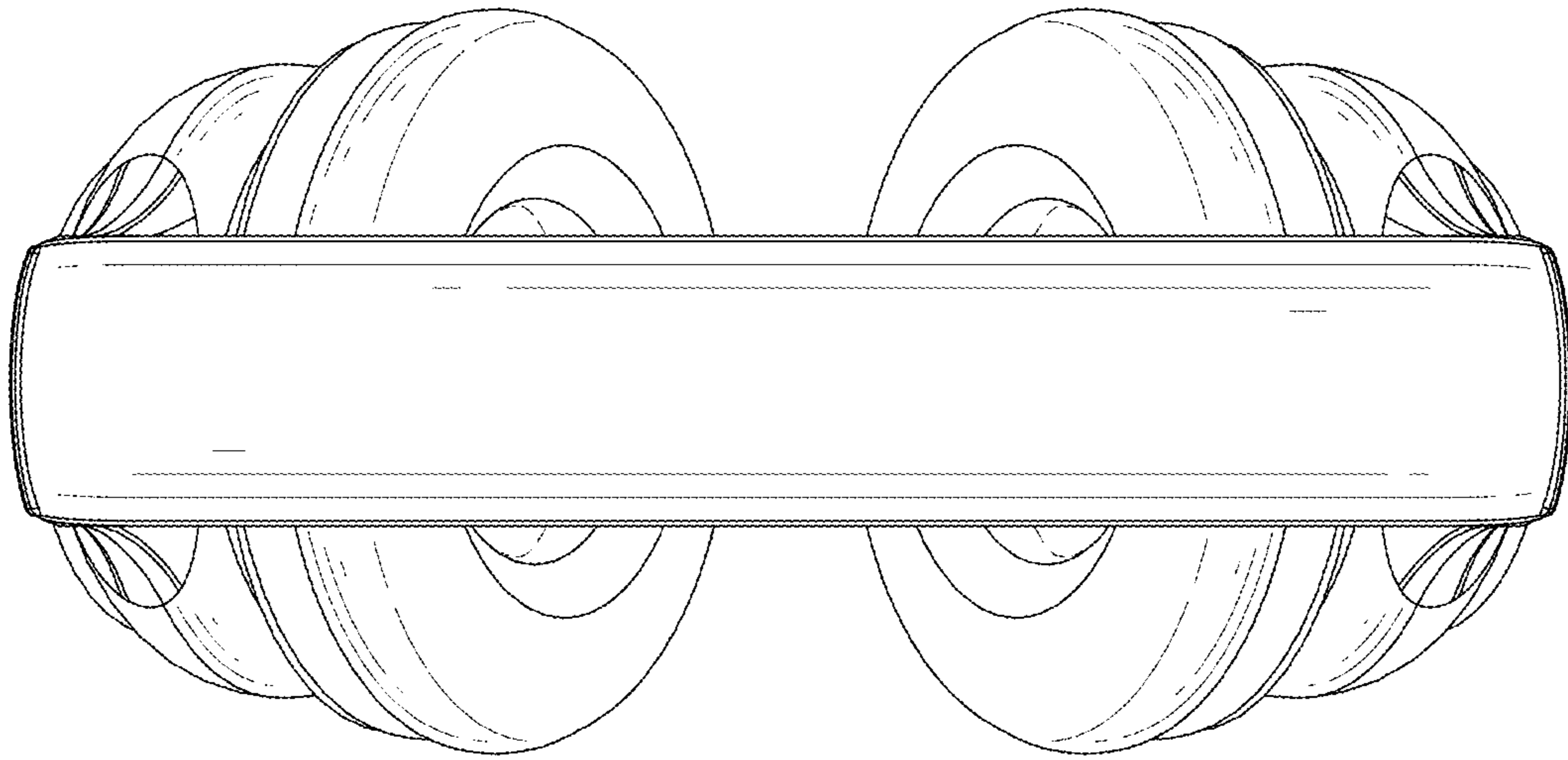


FIG. 7

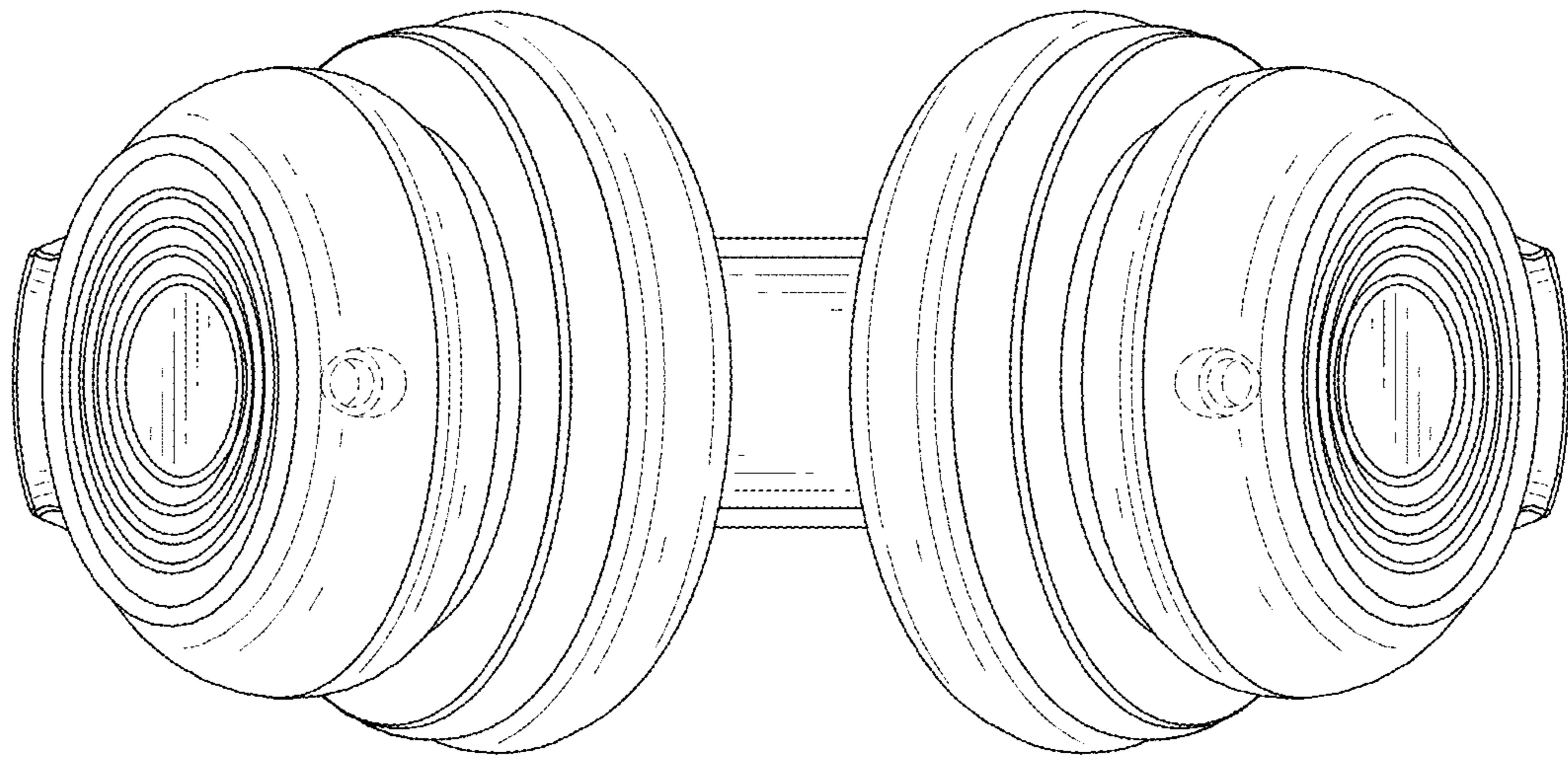


FIG. 8