



US00D877715S

(12) **United States Design Patent**
Hu

(10) **Patent No.:** **US D877,715 S**
(45) **Date of Patent:** **** Mar. 10, 2020**

(54) **HEADPHONES**

(71) Applicant: **SHENZHEN QIANHAI PATUOXUN NETWORK AND TECHNOLOGY CO., LTD**, Shenzhen (CN)

(72) Inventor: **Zaihui Hu**, Shenzhen (CN)

(73) Assignee: **SHENZHEN QIANHAI PATUOXUN NETWORK AND TECHNOLOGY CO., LTD**, Shenzhen (CN)

(**) Term: **15 Years**

(21) Appl. No.: **29/707,526**

(22) Filed: **Sep. 29, 2019**

(51) **LOC (12) Cl.** **14-01**

(52) **U.S. Cl.**
USPC **D14/205**

(58) **Field of Classification Search**
USPC D14/205, 188, 192; D29/112; 2/209;
181/129, 130, 135; 379/430, 431;
381/380, 381, 374; 455/90.3, 575.1,
455/569.1

CPC H04R 1/1066; H04R 1/1016; H04R 5/033;
H04R 5/0335; H04R 25/00; H04R
1/1091; H04R 1/105

See application file for complete search history.

(56) **References Cited**

U.S. PATENT DOCUMENTS

- 1,066,511 A * 7/1913 Markoff A61F 11/14
128/866
- 3,073,410 A * 1/1963 Gongoll H04R 1/1008
2/209
- 3,104,398 A * 9/1963 Palmaer A61F 11/14
2/209
- 4,173,715 A * 11/1979 Gosman H04R 1/1058
181/129
- D254,183 S * 2/1980 Doodson D14/205

- D254,876 S * 5/1980 Reitenga D14/205
- 4,634,816 A * 1/1987 O'Malley H04M 1/05
379/430
- D313,092 S * 12/1990 Nilsson D14/205
- 5,018,599 A * 5/1991 Dohi H04R 1/1008
181/129
- 5,035,005 A * 7/1991 Hung H04M 1/05
2/209
- D328,074 S * 7/1992 Yamazaki D14/205
- D328,461 S * 8/1992 Daido D14/205
- D338,010 S * 8/1993 Yamatogi D14/205
- D351,172 S * 10/1994 Nakamura D14/205
- D358,389 S * 5/1995 Isono D14/205
- D375,825 S * 11/1996 Whidden D2/866
- D420,356 S * 2/2000 Suzuki D14/205
- D422,592 S * 4/2000 Deguchi D14/205

(Continued)

FOREIGN PATENT DOCUMENTS

- EM 001698879-0001 * 4/2010
- EM 003811249-0001 * 3/2017

Primary Examiner — Paula Allen Greene

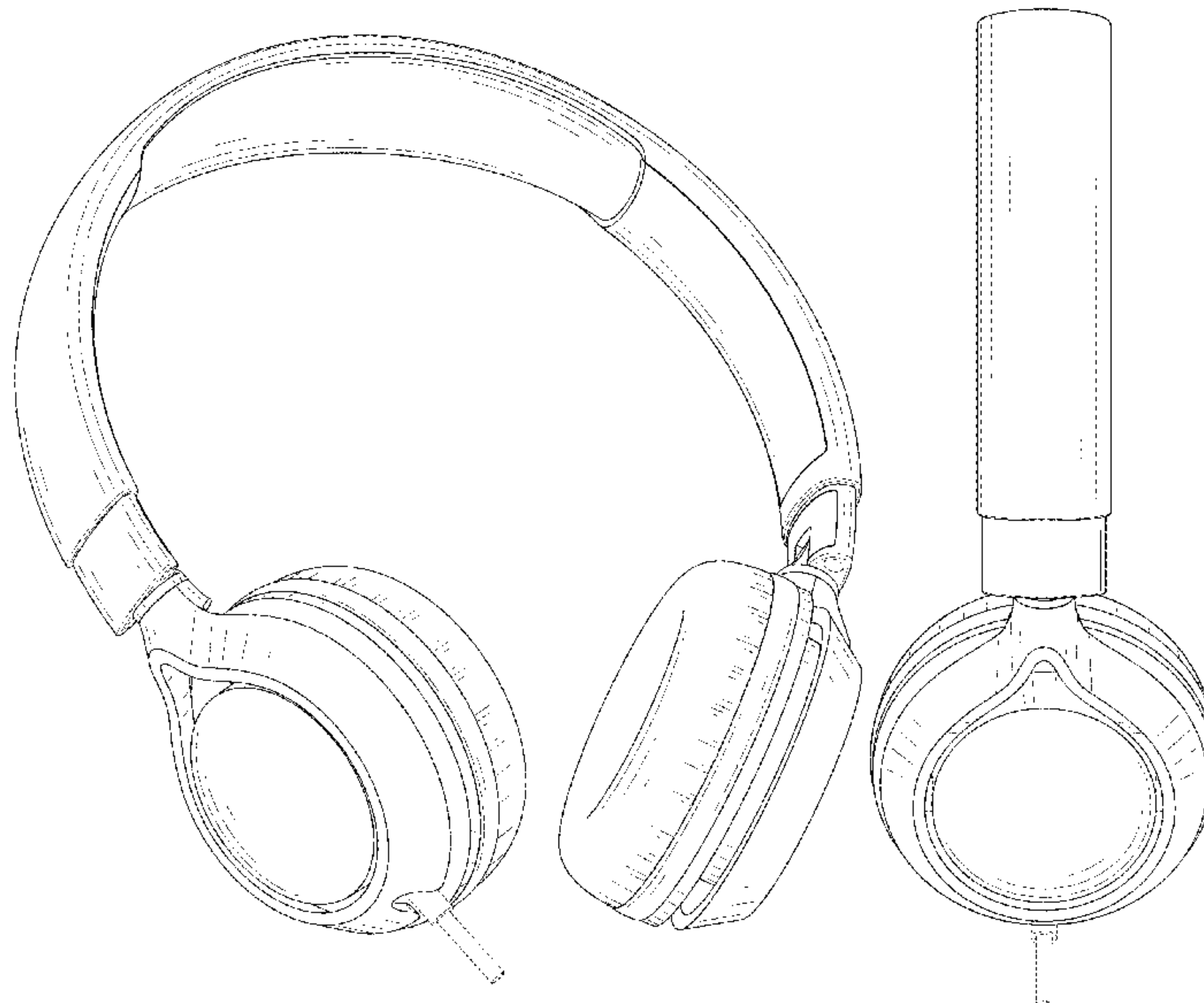
(57) **CLAIM**

The ornamental design for headphones, as shown and described.

DESCRIPTION

FIG. 1 is a perspective view of headphones showing my new design;
 FIG. 2 is another perspective view thereof;
 FIG. 3 is a front elevational view thereof;
 FIG. 4 is a rear elevational view thereof;
 FIG. 5 is a left side elevational view thereof;
 FIG. 6 is a right side elevational view thereof;
 FIG. 7 is a top plan view thereof; and,
 FIG. 8 is a bottom plan view thereof.
 The broken lines depict environment that form no part of the claimed design.

1 Claim, 8 Drawing Sheets



(56)

References Cited

U.S. PATENT DOCUMENTS

6,081,604 A * 6/2000 Hikichi H04R 1/083
 381/124
 D430,140 S * 8/2000 Roman D14/205
 D435,249 S * 12/2000 Yasutomi D14/205
 D457,512 S * 5/2002 Yoneda D14/205
 6,449,806 B1 * 9/2002 Engelhard H04M 1/05
 2/209
 6,496,589 B1 * 12/2002 Pham H04R 1/08
 381/370
 D468,723 S * 1/2003 Pham D14/205
 D484,485 S * 12/2003 Matsuoka D14/205
 6,654,966 B2 * 12/2003 Rolla H04R 1/1066
 2/209
 D484,868 S * 1/2004 Suzuki D14/205
 6,678,897 B2 * 1/2004 Lindgren A61F 11/14
 181/129
 D491,163 S * 6/2004 Green D14/205
 D502,938 S * 3/2005 Tokioka D14/205
 D504,414 S * 4/2005 Yoshida D14/192
 D504,883 S * 5/2005 Jacobson D14/192
 D512,708 S * 12/2005 Harris, Jr. D14/205
 D512,981 S * 12/2005 Jacobson D14/205
 D517,043 S * 3/2006 Jacobson D14/205
 7,072,483 B2 * 7/2006 Lenhard-Backhaus
 H04R 1/1066
 381/370
 D532,407 S * 11/2006 Motoishi D14/205
 D534,155 S * 12/2006 Obata D14/205
 D534,156 S * 12/2006 Obata D14/205
 7,172,052 B2 * 2/2007 Lenhard-Backhaus
 H04R 1/1066
 181/129
 D540,301 S * 4/2007 Obata D14/205
 D541,257 S * 4/2007 Thursfield D14/205
 D545,001 S * 6/2007 Le Gette D29/112
 D552,077 S * 10/2007 Brunner D14/205
 D557,684 S * 12/2007 Pundsack D14/205
 D563,382 S * 3/2008 Wikel D14/205
 D563,995 S * 3/2008 Deguchi D14/474
 D582,890 S * 12/2008 Koza D14/205
 D584,715 S * 1/2009 Brennwald D14/205
 D585,870 S * 2/2009 Zheng D14/205
 D585,871 S * 2/2009 Lee D14/205
 D585,872 S * 2/2009 Lee D14/205
 D588,098 S * 3/2009 Kurihara D14/205
 D588,100 S * 3/2009 Densho D14/205

D591,263 S * 4/2009 Shimizu D14/205
 D592,182 S * 5/2009 Sanguinetti D14/205
 D592,640 S * 5/2009 Tkachuk D14/205
 D593,995 S * 6/2009 Shimizu D14/205
 D597,072 S * 7/2009 Asai D14/206
 D600,674 S * 9/2009 Brennwald D14/205
 D603,370 S * 11/2009 Suzuki D14/205
 D603,371 S * 11/2009 Boateng D14/205
 D616,865 S * 6/2010 Marchand D14/205
 D617,769 S * 6/2010 Birger D14/205
 7,735,154 B2 * 6/2010 Gellis A61F 11/14
 2/209
 D625,705 S * 10/2010 Oho D14/205
 D632,668 S * 2/2011 Brunner D14/205
 D633,896 S * 3/2011 Kondo D14/205
 D635,959 S * 4/2011 Hutchieson D14/205
 D637,176 S * 5/2011 Brunner D14/205
 D639,776 S * 6/2011 Arimoto D14/205
 D641,725 S * 7/2011 Chong D14/205
 D652,405 S * 1/2012 Lee D14/205
 D657,344 S * 4/2012 Brunner D14/205
 D657,345 S * 4/2012 Brunner H04R 1/1008
 D14/205
 D660,824 S * 5/2012 Hardi D14/205
 D674,767 S * 1/2013 Brunner D14/205
 D689,463 S * 9/2013 Hardi D14/205
 D691,112 S * 10/2013 Brunner D14/206
 D696,226 S * 12/2013 Brunner H04R 1/1008
 D14/205
 D698,749 S * 2/2014 Brunner D14/206
 D702,210 S * 4/2014 Birger H04S 1/005
 D14/205
 D707,200 S * 6/2014 Yang H04R 1/1066
 D14/205
 D712,871 S 9/2014 McNamara
 D713,817 S * 9/2014 Paterson D14/205
 D722,591 S * 2/2015 Son D14/205
 D725,630 S * 3/2015 Nakagawa D14/205
 9,084,055 B2 * 7/2015 Brunner H04R 1/1066
 D765,055 S * 8/2016 Hsieh D14/205
 D765,056 S * 8/2016 Yang D14/205
 D768,110 S * 10/2016 Suzuki D14/205
 D792,376 S * 7/2017 Morimoto D14/205
 D796,474 S * 9/2017 Treski D14/205
 D864,154 S * 10/2019 Hu D14/205
 2003/0210801 A1 * 11/2003 Naksen H04R 1/1066
 381/370
 2011/0206216 A1 * 8/2011 Brunner H04R 1/1066
 381/74

* cited by examiner



FIG. 1



FIG. 2



FIG. 3



FIG. 4

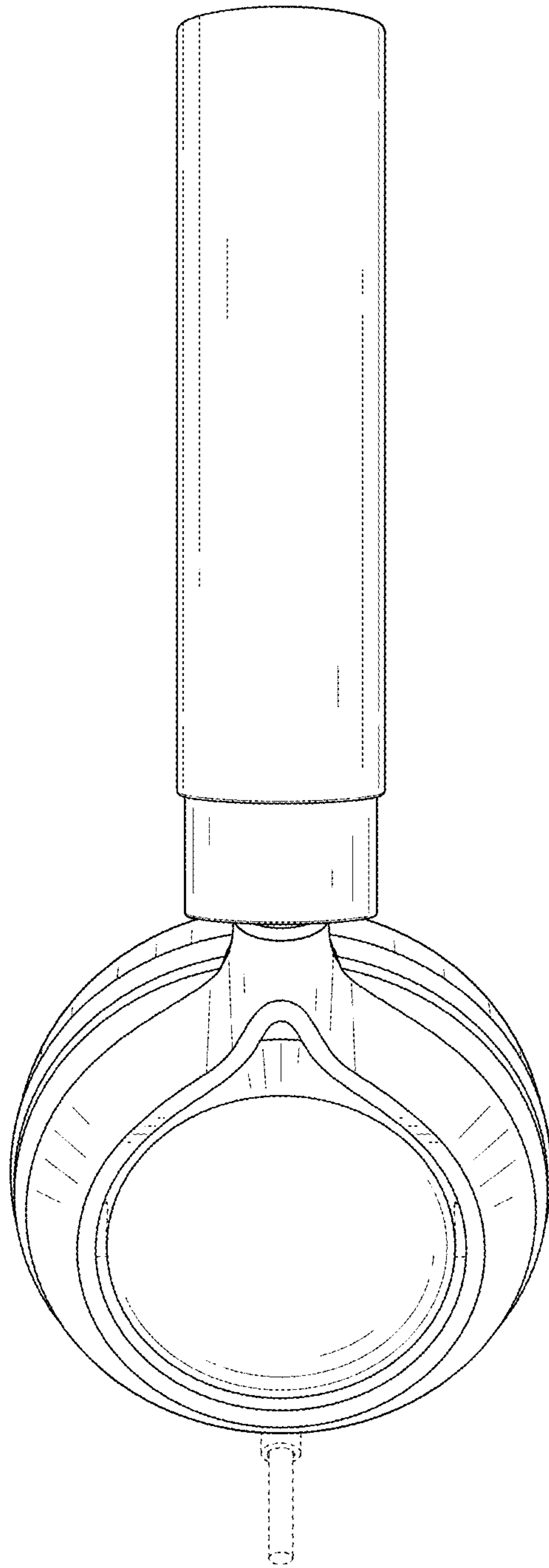


FIG. 5

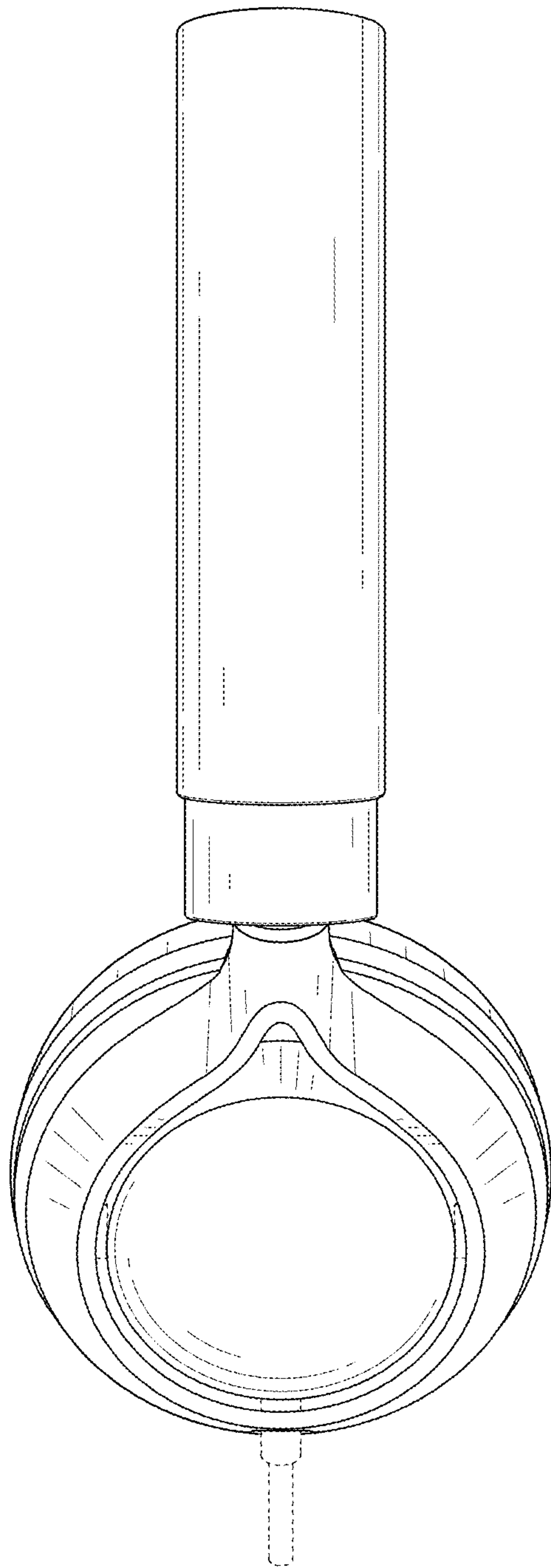


FIG. 6

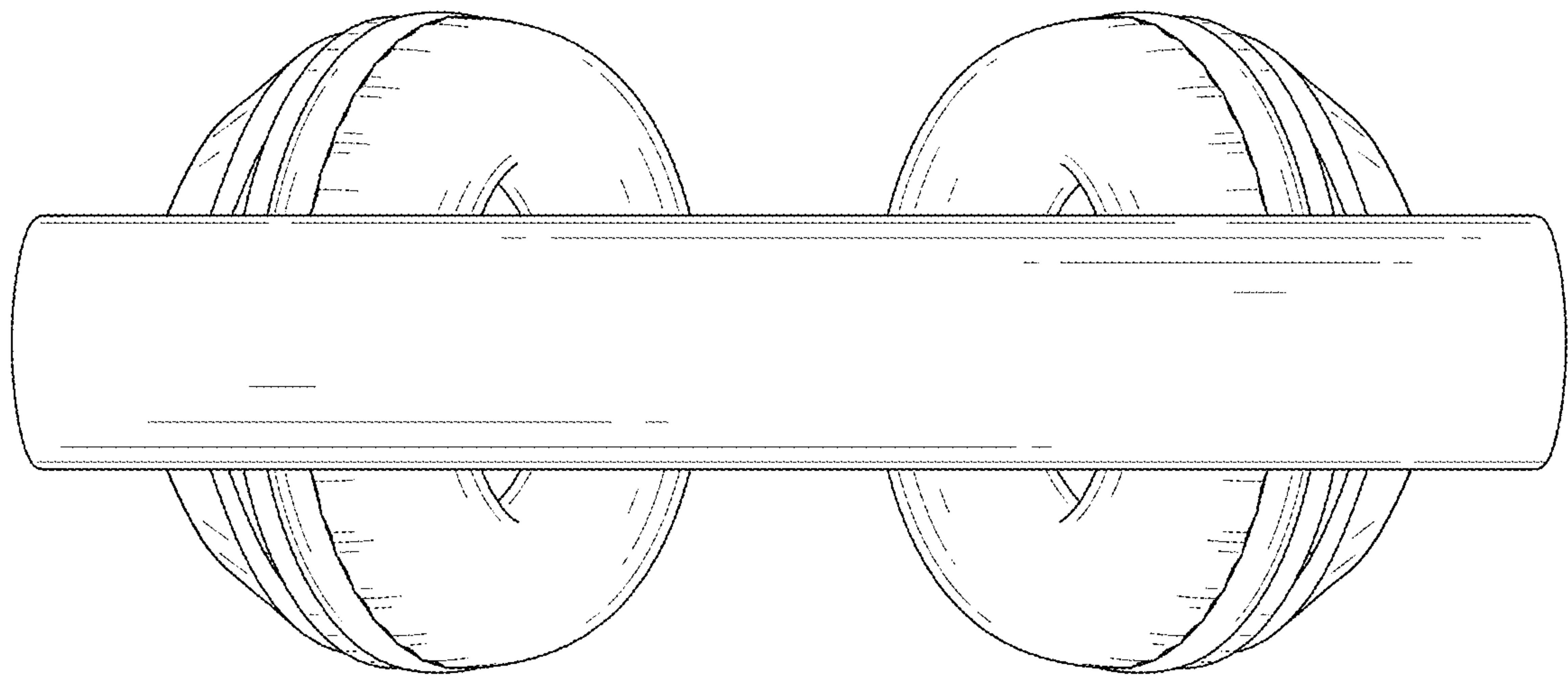


FIG. 7

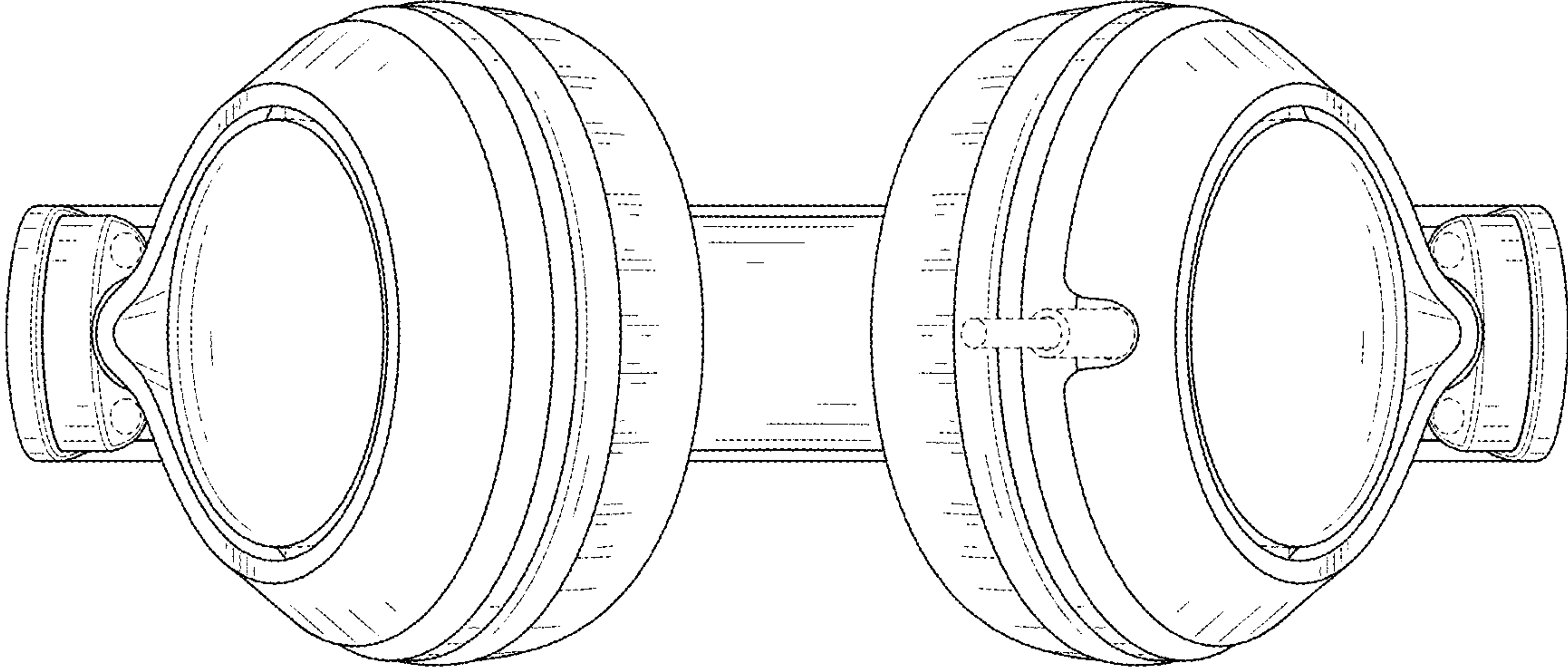


FIG. 8