



US00D877714S

(12) **United States Design Patent**
Dhondt et al.

(10) **Patent No.:** **US D877,714 S**
(45) **Date of Patent:** **** Mar. 10, 2020**

(54) **HEADSET**
(71) Applicant: **Microsoft Corporation**, Redmond, WA (US)
(72) Inventors: **Daniel Dhondt**, Sammamish, WA (US); **Tsitsi Kolawole**, Lynnwood, WA (US); **Jari Heiskanen**, Redmond, WA (US); **Erika Kelter**, Seattle, WA (US); **Neil O’Connell**, Seattle, WA (US); **Eric P. Witt**, Redmond, WA (US); **Jason Lin**, Redmond, WA (US); **Michael Bohan**, Maple Valley, WA (US); **Yuenkeen Cheong**, Sammamish, WA (US); **Hundraj S. Gopal**, Bellevue, WA (US)

2,954,442 A 9/1960 Mickenberg
3,073,410 A 1/1963 Gogoll et al.
D196,654 S 10/1963 Van Den Berg
3,454,964 A 7/1969 Brinkhoff
3,505,684 A * 4/1970 Hutchinson A61F 11/14
2/209
3,506,981 A 4/1970 Stewart et al.
3,593,341 A 7/1971 Aileo
3,637,040 A 1/1972 Gorman
D228,352 S 9/1973 Itagaki
3,797,045 A 3/1974 Aho
3,875,592 A 4/1975 Aileo
3,922,725 A 12/1975 Csiki et al.

(Continued)

FOREIGN PATENT DOCUMENTS

EM 006778486-0001 * 8/2019

Primary Examiner — Paula Allen Greene

(74) *Attorney, Agent, or Firm* — Banner & Witcoff, Ltd.

(73) Assignee: **Microsoft Corporation**, Redmond, WA (US)

(**) Term: **15 Years**

(21) Appl. No.: **29/664,399**

(22) Filed: **Sep. 25, 2018**

(51) **LOC (12) Cl.** **14-01**

(52) **U.S. Cl.**
USPC **D14/205**

(58) **Field of Classification Search**
USPC D14/205, 188, 192; D29/112; 2/209;
181/129, 130, 135; 379/430, 431;
381/380, 381, 374; 455/90.1, 575.1,
455/569.1
CPC H04R 25/00; H04R 1/1066; H04R 1/1016;
H04R 5/033; H04R 5/0335; H04R 1/105
See application file for complete search history.

(56) **References Cited**

U.S. PATENT DOCUMENTS

2,812,517 A 11/1957 Bogart et al.
2,883,671 A 4/1959 Hornickel
2,883,672 A 4/1959 Hornickel et al.

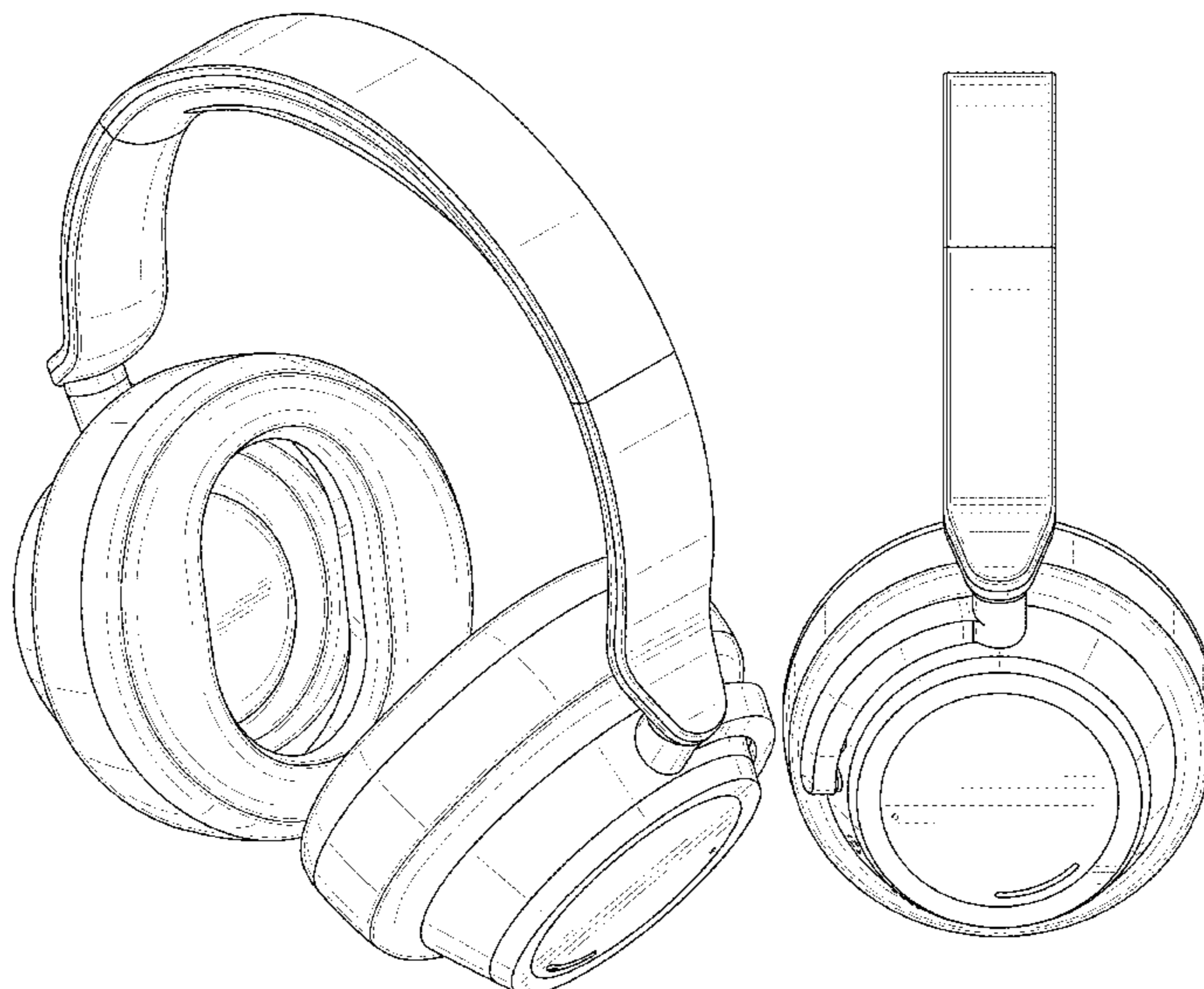
(57) **CLAIM**

The ornamental design for a headset, as shown and described.

DESCRIPTION

FIG. 1 is a front perspective view of a headset showing our new design;
FIG. 2 is a front view thereof;
FIG. 3 is a rear view thereof;
FIG. 4 is a right side view thereof;
FIG. 5 is a left side view thereof;
FIG. 6 is a top view thereof;
FIG. 7 is a bottom view thereof;
FIG. 8 is an additional front perspective view of the design showing one earcup in isolation for clarity purposes; and, FIG. 9 is an additional right side view thereof.
The broken lines depicting the remainder of the headset in FIGS. 1-9 show features that form no part of the claimed design.

1 Claim, 9 Drawing Sheets



(56)

References Cited

U.S. PATENT DOCUMENTS

4,459,707 A	7/1984	Stallings		D654,472 S	2/2012	Fischer	
4,471,496 A *	9/1984	Gardner, Jr.	A61F 11/14 2/209	D655,694 S	3/2012	Hanks et al.	
4,542,803 A	9/1985	Houng		D657,344 S	4/2012	Brunner et al.	
4,546,215 A	10/1985	Ferraro		D657,776 S	4/2012	Lee et al.	
4,572,323 A	2/1986	Randall		D663,717 S	7/2012	Hutchieson	
4,597,469 A	7/1986	Nagashima		D664,114 S	7/2012	Tsuchiya	
4,634,816 A *	1/1987	O'Malley	H04M 1/05 379/430	D665,775 S	8/2012	Katsumata	
D300,133 S	3/1989	Daidoh et al.		D666,992 S	9/2012	Lee et al.	
4,856,118 A	8/1989	Sapiejewski		D671,914 S	12/2012	Lee et al.	
D310,081 S	8/1990	Daido et al.		D675,595 S	2/2013	Cho et al.	
D313,092 S	12/1990	Nilsson		D677,647 S	3/2013	Lee et al.	
D316,551 S	4/1991	Ichikawa		D678,859 S	3/2013	Lee	
D346,172 S	4/1994	Fields et al.		D680,516 S	4/2013	Lee	
D350,354 S	9/1994	Nakamura		D683,329 S	5/2013	Hagelin	
D371,558 S	7/1996	Yoshizawa		D683,717 S	6/2013	Kelly et al.	
D371,560 S	7/1996	Fenton et al.		D684,559 S *	6/2013	Groset	D14/205
D373,360 S *	9/1996	Kanno	D14/205	D689,464 S	9/2013	Bonahoom et al.	
D375,312 S *	11/1996	Kanno	D14/205	D690,282 S	9/2013	Lee et al.	
D377,021 S *	12/1996	Isono	D14/205	D690,283 S	9/2013	Lee et al.	
5,826,597 A	10/1998	Chou		D691,109 S *	10/2013	Hardi	D14/205
5,987,647 A	11/1999	Ouellette		D691,579 S	10/2013	Lee et al.	
5,996,123 A	12/1999	Leight et al.		D696,644 S *	12/2013	Sejpkka	D14/205
6,016,574 A	1/2000	Chen		D697,495 S	1/2014	Lian	
D430,140 S	8/2000	Roman		D697,896 S	1/2014	Lee et al.	
6,353,938 B1	3/2002	Young		D697,897 S	1/2014	Lee et al.	
D461,931 S	8/2002	Kelly		D699,216 S	2/2014	Bonahoom et al.	
D463,857 S	10/2002	Dix et al.		8,646,466 B2	2/2014	Howard et al.	
6,560,346 B2	5/2003	Ohta et al.		D707,653 S *	6/2014	Hardi	H04R 1/10 D14/205
6,584,984 B2	7/2003	Kelly		D707,655 S	6/2014	Porter	
D491,163 S	6/2004	Green		D708,163 S *	7/2014	Ishikura	D14/205
D512,708 S	12/2005	Harris, Jr. et al.		D714,255 S	9/2014	Sparks et al.	
D518,479 S	4/2006	Skulley		D715,251 S	10/2014	Sparks et al.	
D530,307 S	10/2006	Rath		D715,252 S	10/2014	Sparks et al.	
D532,407 S *	11/2006	Motoishi	D14/205	8,923,525 B2 *	12/2014	Saideh	H04R 1/1033 381/309
D534,156 S	12/2006	Obata		D721,055 S	1/2015	Sparks et al.	
7,172,052 B2 *	2/2007	Lenhard-Backhaus	H04R 1/1066 181/129	D722,041 S	2/2015	Sparks et al.	
D539,788 S	4/2007	Thompson et al.		D724,562 S	3/2015	Sparks et al.	
D540,777 S	4/2007	Rausch et al.		D727,289 S *	4/2015	Czaniecki	D14/205
D541,256 S	4/2007	Rausch et al.		D735,161 S	7/2015	Sparks et al.	
D541,257 S	4/2007	Thursfield		D735,691 S	8/2015	Sparks et al.	
D542,774 S	5/2007	Rausch et al.		D741,289 S *	10/2015	Schaal	D14/205
D549,688 S *	8/2007	Suzuki	D14/205	9,161,117 B2 *	10/2015	Blonder	H04R 1/1066
D558,188 S	12/2007	Ikeda et al.		D763,223 S *	8/2016	Czaniecki	D14/205
D571,354 S	6/2008	Ng		D763,821 S *	8/2016	Leopardi	D14/205
D573,581 S *	7/2008	Gondo	D14/205	D773,434 S *	12/2016	Wu	D14/205
D588,100 S	3/2009	Densho et al.		D806,674 S *	1/2018	Zhang	D14/205
D597,070 S *	7/2009	Zheng	D14/205	D813,837 S *	3/2018	Paterson	D14/205
7,580,539 B2 *	8/2009	Tachikawa	H04R 1/1066 381/374	D815,615 S *	4/2018	Wernblad	D14/205
D600,674 S *	9/2009	Brennwald	D14/205	D830,333 S *	10/2018	Carr	D14/205
D603,370 S *	11/2009	Suzuki	D14/205	D830,334 S *	10/2018	Carr	D14/205
D603,371 S	11/2009	Boateng et al.		D834,557 S *	11/2018	Hardi	D14/205
D625,705 S	10/2010	Ohori et al.		D837,764 S *	1/2019	Xiao	D14/205
D633,471 S	3/2011	Sugiyama		D843,967 S *	3/2019	Paterson	D14/205
D634,732 S	3/2011	Kondo et al.		D854,513 S *	7/2019	Miyake	D14/205
D641,003 S	7/2011	Alden		D857,652 S *	8/2019	Wang	D14/205
D649,528 S	11/2011	Park		D861,636 S *	10/2019	Carr	D14/205
D654,471 S	2/2012	Fischer		2006/0027245 A1	2/2006	Spector	
				2006/0062417 A1 *	3/2006	Tachikawa	H04R 1/1066 381/378
				2016/0080853 A1 *	3/2016	Chen	H04R 1/1041 381/74

* cited by examiner

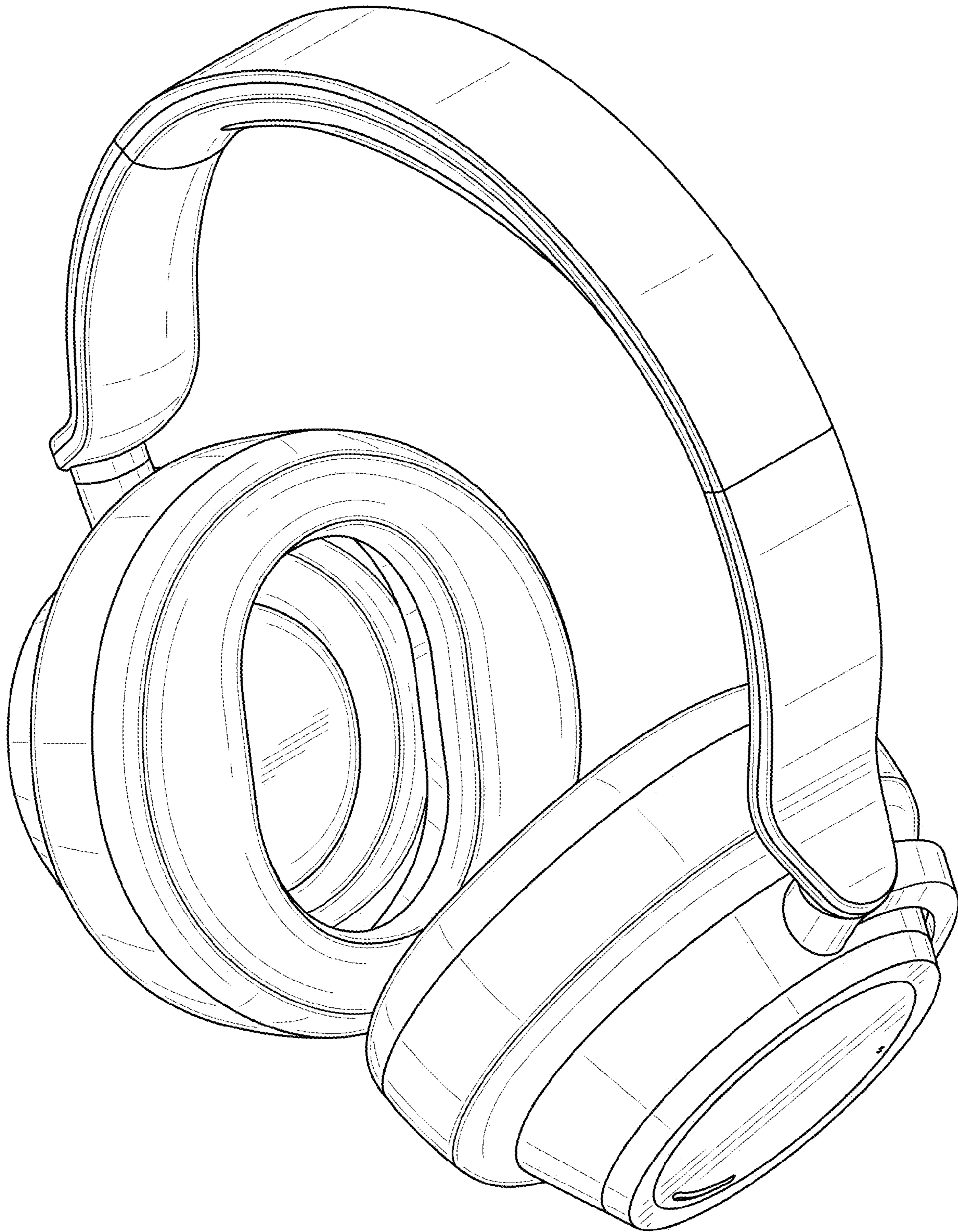


FIG. 1



FIG. 2



FIG. 3

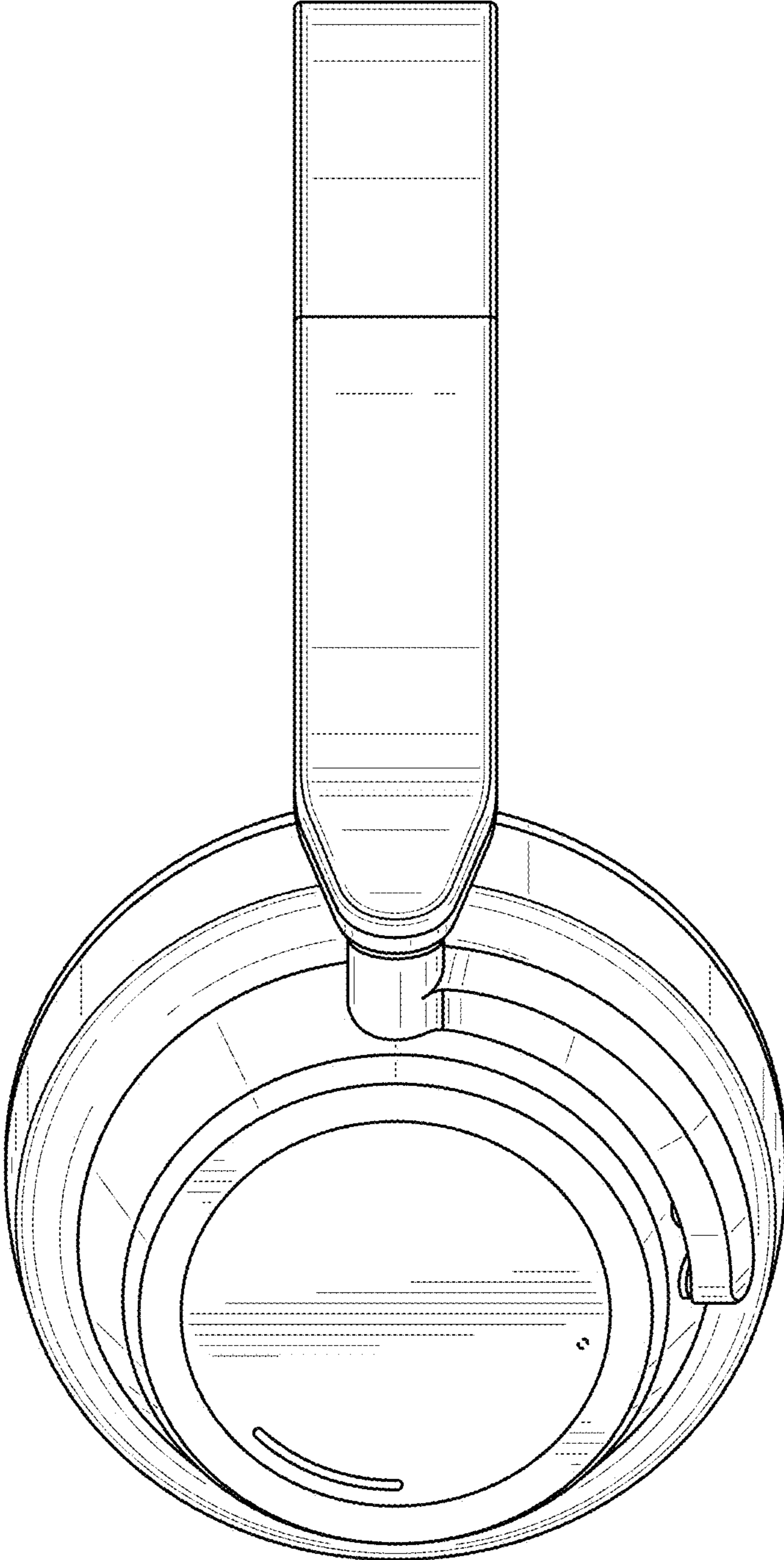


FIG. 4

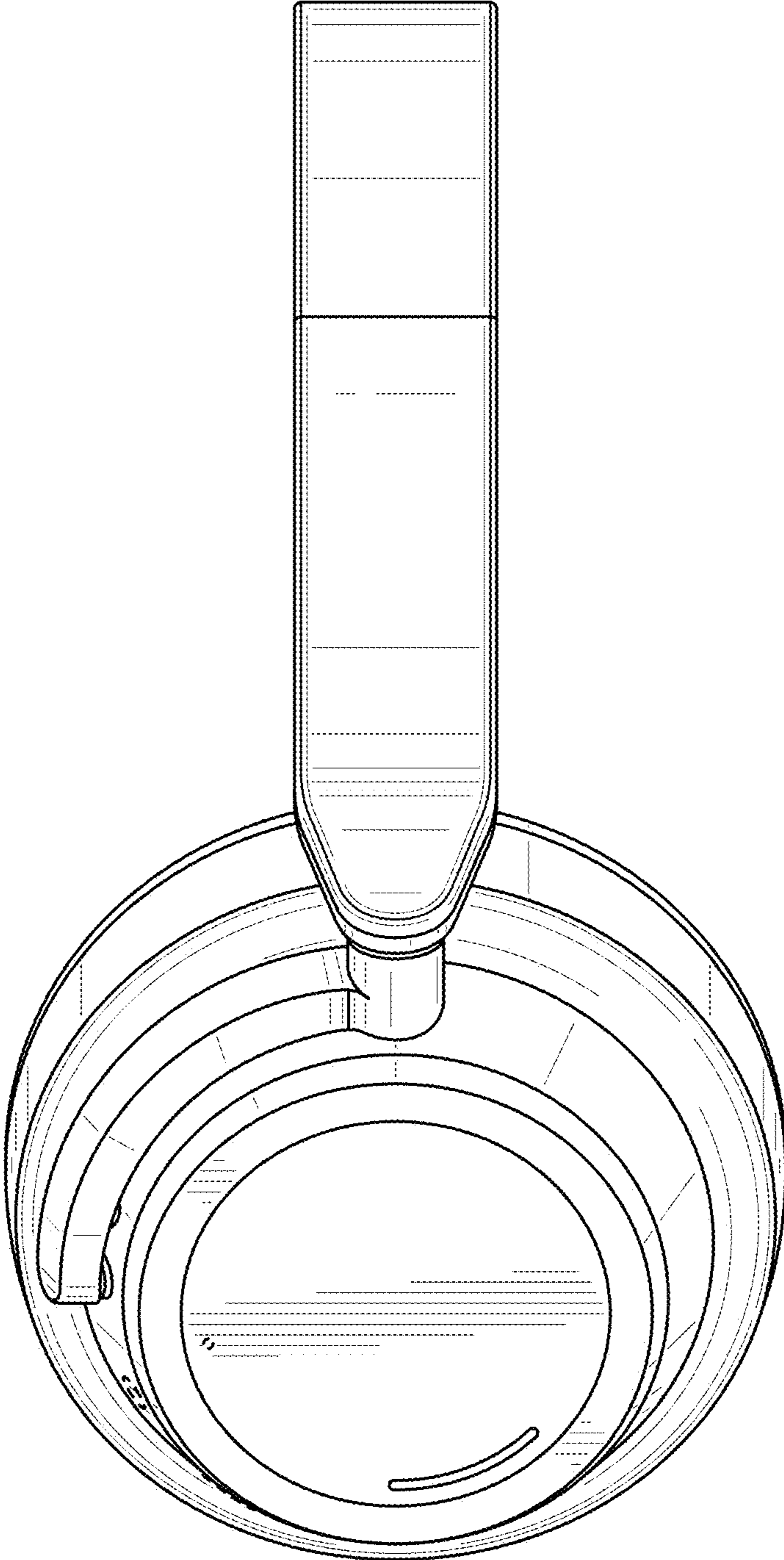


FIG. 5

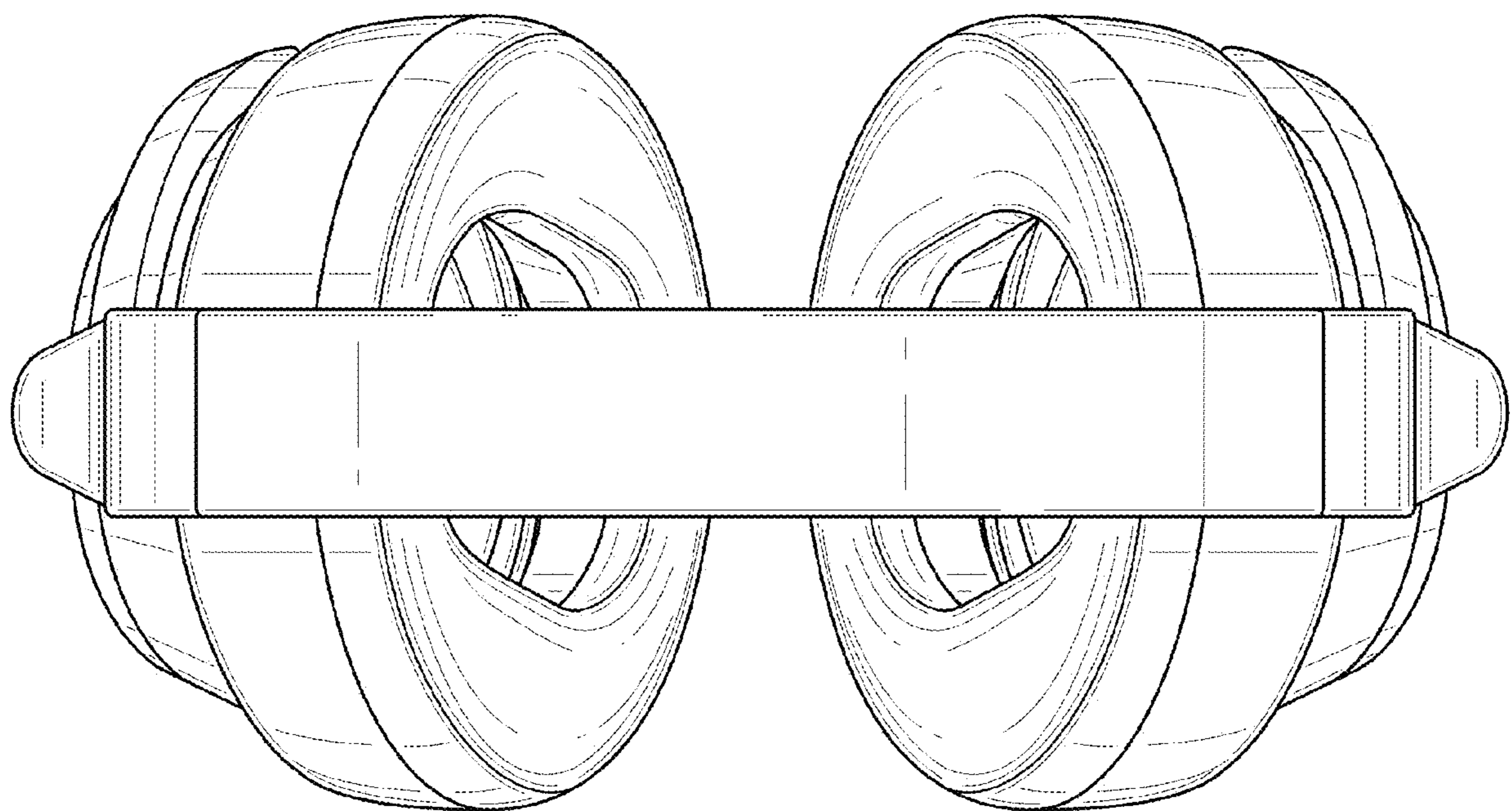


FIG. 6

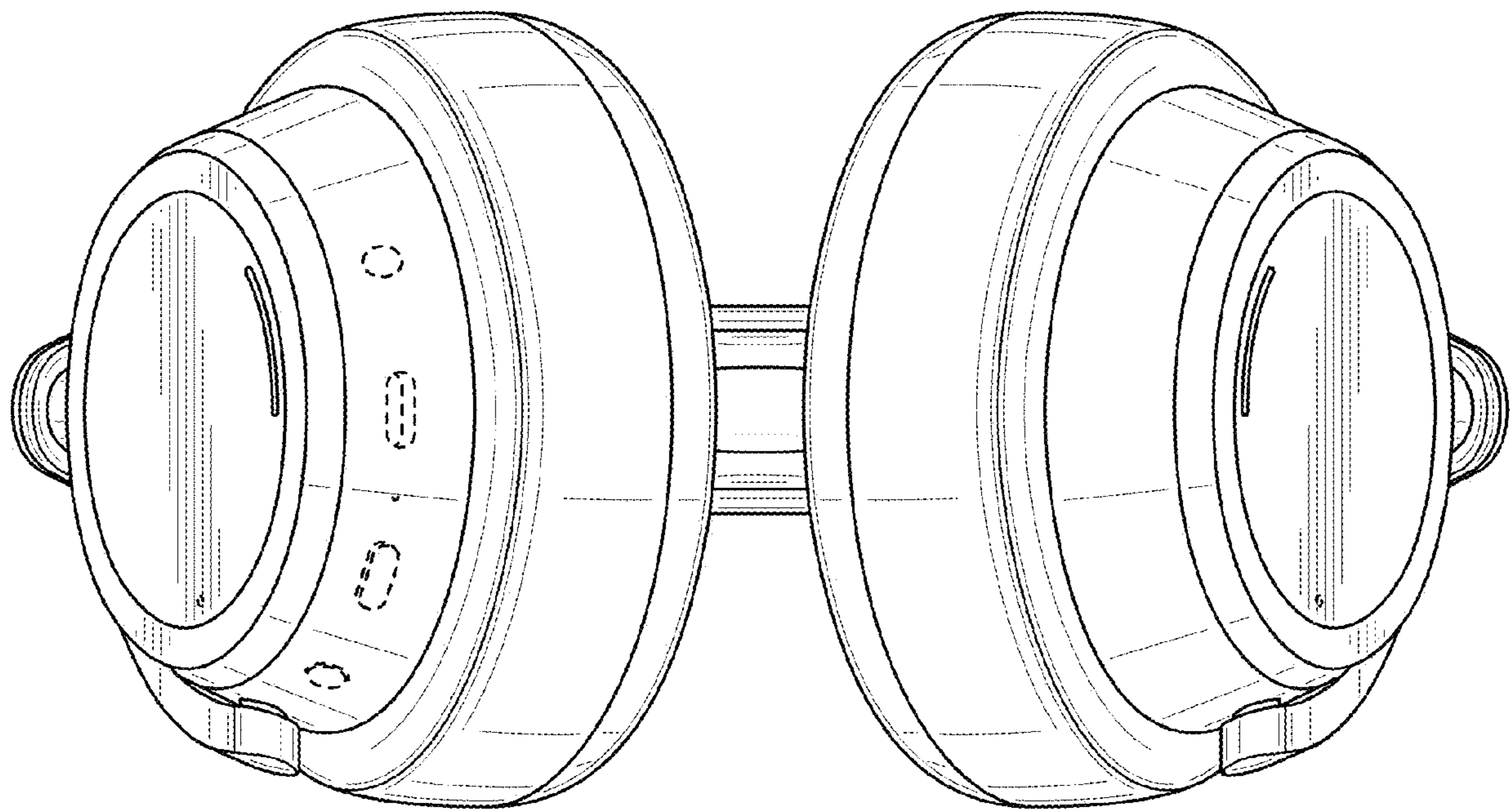


FIG. 7

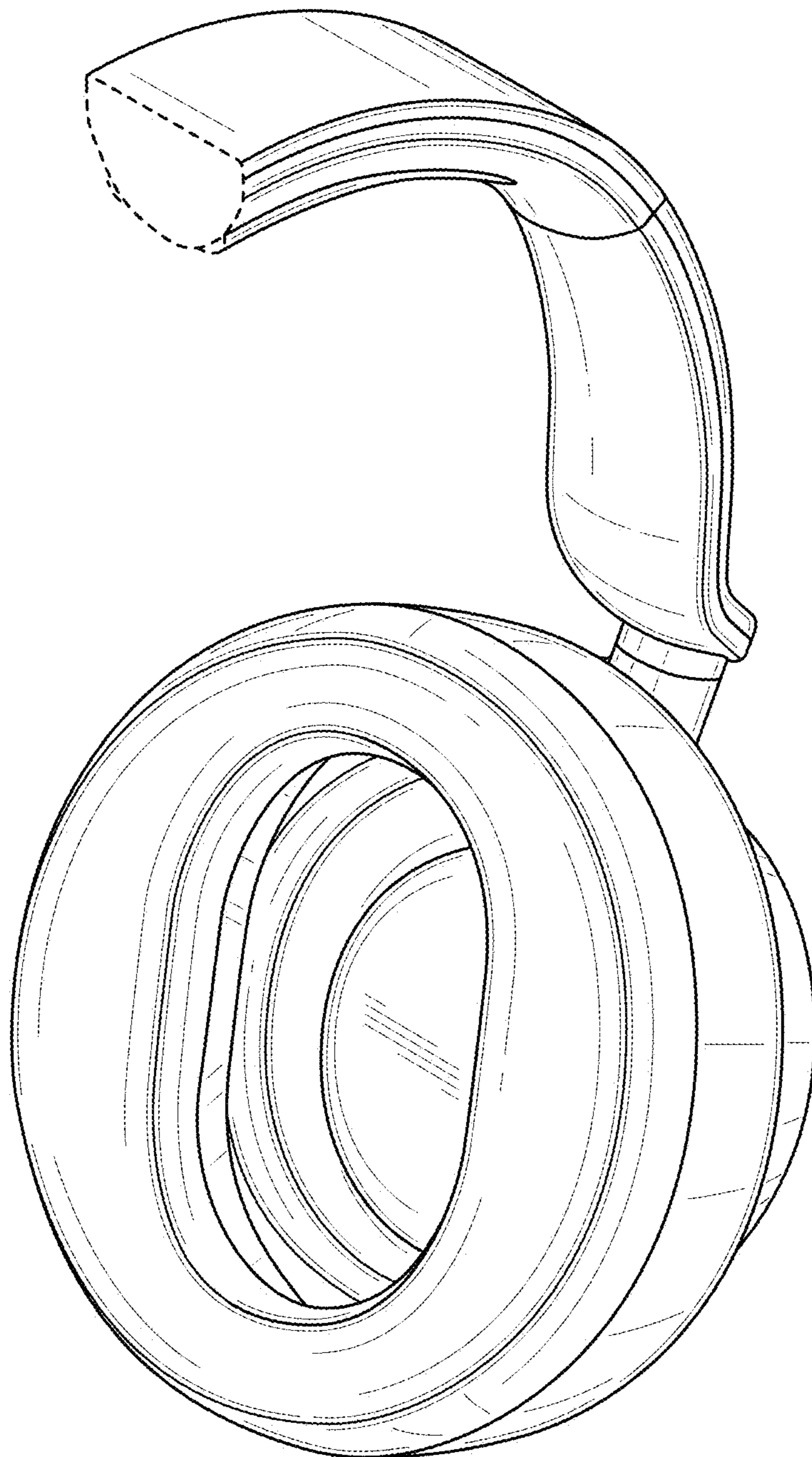


FIG. 8

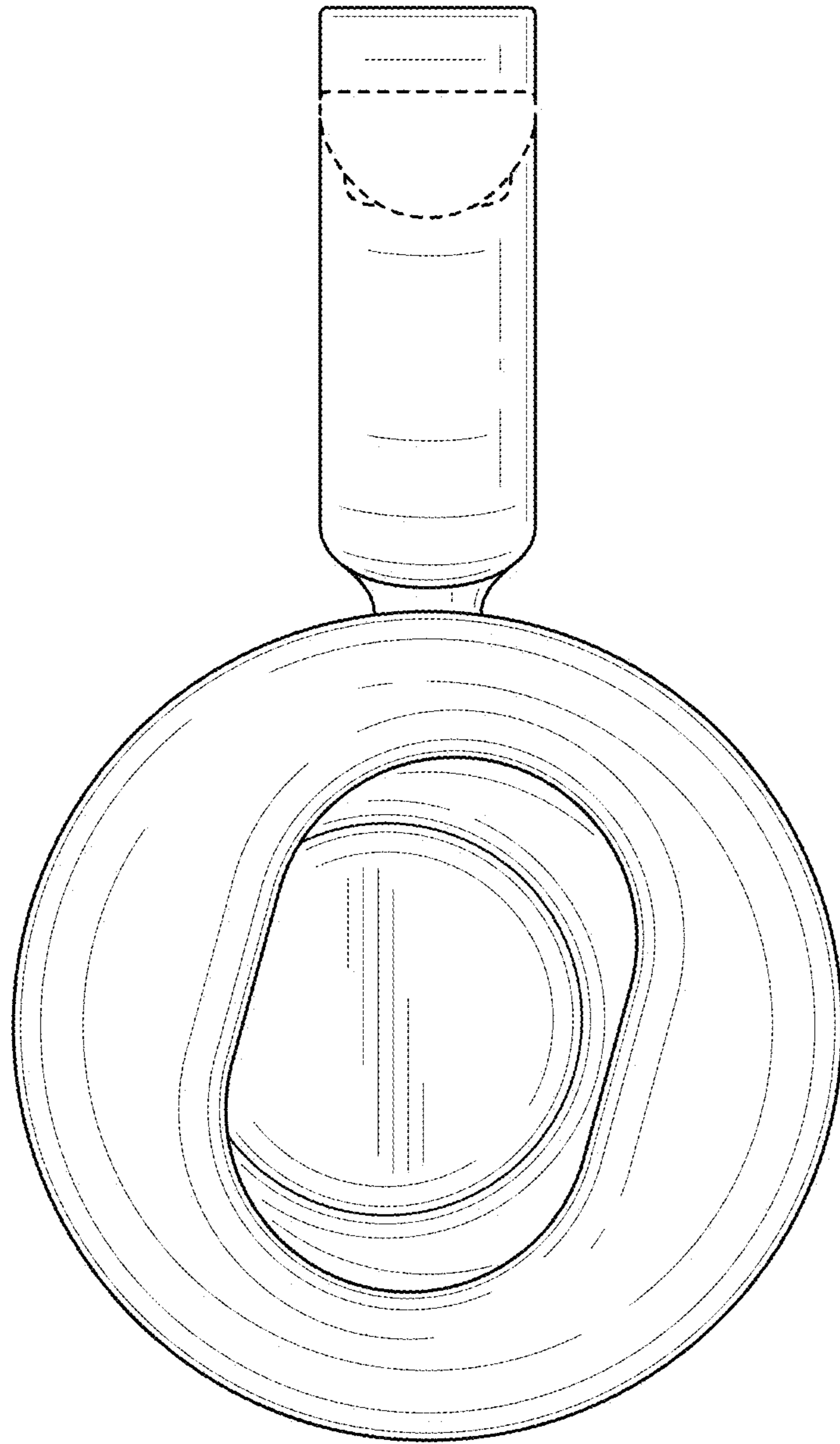


FIG. 9