



US00D877712S

(12) **United States Design Patent**
Durkan

(10) **Patent No.:** **US D877,712 S**
(45) **Date of Patent:** **** Mar. 10, 2020**

- (54) **LOUDSPEAKER**
- (71) Applicant: **PHILEX LIMITED**, Bedford (GB)
- (72) Inventor: **Tom Durkan**, Bedford (GB)
- (73) Assignee: **PHILEX LIMITED**, Bedford (GB)
- (**) Term: **15 Years**
- (21) Appl. No.: **29/661,591**
- (22) Filed: **Aug. 29, 2018**
- (30) **Foreign Application Priority Data**

May 10, 2018 (EM) 005264553-0002

(51) **LOC (12) Cl.** **14-01**

(52) **U.S. Cl.**
USPC **D14/204**

(58) **Field of Classification Search**
USPC D14/204, 496, 214, 172
CPC H04R 1/02; H04R 1/021; H04R 1/026;
H04R 1/028; H04R 1/403; H04R 1/2803;
H04R 5/02; H04R 9/06; H04R 9/13;
H04R 2201/021; H04R 2400/00; H04R
2499/11

See application file for complete search history.

(56) **References Cited**

U.S. PATENT DOCUMENTS

| | | | | |
|--------------|---------|----------|-------|---------|
| D415,159 S * | 10/1999 | Nakano | | D14/215 |
| D467,574 S * | 12/2002 | Suzuki | | D14/216 |
| D577,357 S * | 9/2008 | Poandl | | D14/216 |
| D584,290 S * | 1/2009 | Lee | | D14/216 |
| D586,780 S * | 2/2009 | Skurdal | | D14/211 |
| D654,971 S * | 2/2012 | Januszek | | D21/682 |

| | | | | |
|-------------------|---------|-----------|-------|-------------|
| D714,787 S * | 10/2014 | Matsuoka | | D14/426 |
| D752,024 S * | 3/2016 | Kachwalla | | D14/216 |
| D813,192 S * | 3/2018 | Zeng | | D14/204 |
| 10,003,873 B2 * | 6/2018 | Hanna | | H04R 1/028 |
| D850,849 S * | 6/2019 | Ke | | D7/396.2 |
| D860,160 S * | 9/2019 | Wolman | | D14/204 |
| D860,167 S * | 9/2019 | Zhu | | D14/216 |
| 10,405,075 B2 * | 9/2019 | Cheney | | A45C 13/00 |
| 2012/0322631 A1 * | 12/2012 | Januszek | | A63B 21/072 |
| | | | | 482/108 |
| 2014/0193017 A1 * | 7/2014 | Fortin | | H04R 1/021 |
| | | | | 381/334 |

* cited by examiner

Primary Examiner — Cynthia R Underwood

(74) *Attorney, Agent, or Firm* — Troutman Sanders LLP

(57) **CLAIM**

The ornamental design for a loudspeaker, as shown and described.

DESCRIPTION

FIG. 1 is an upper perspective view of the loudspeaker design;

FIG. 2 is a top view of the loudspeaker design;

FIG. 3 is a bottom view of the loudspeaker design;

FIG. 4 is a right side view of the loudspeaker design;

FIG. 5 is a left side view of the loudspeaker design;

FIG. 6 is another left side view of the loudspeaker design;

FIG. 7 is another right side view of the loudspeaker design;

and,

FIG. 8 is a lower perspective view of the loudspeaker design.

The broken lines shown represent unclaimed subject matter and form no part of the claimed design. The shade lines and/or shaded surfaces shown represent surface shading and not surface ornamentation, color, or material type.

1 Claim, 8 Drawing Sheets

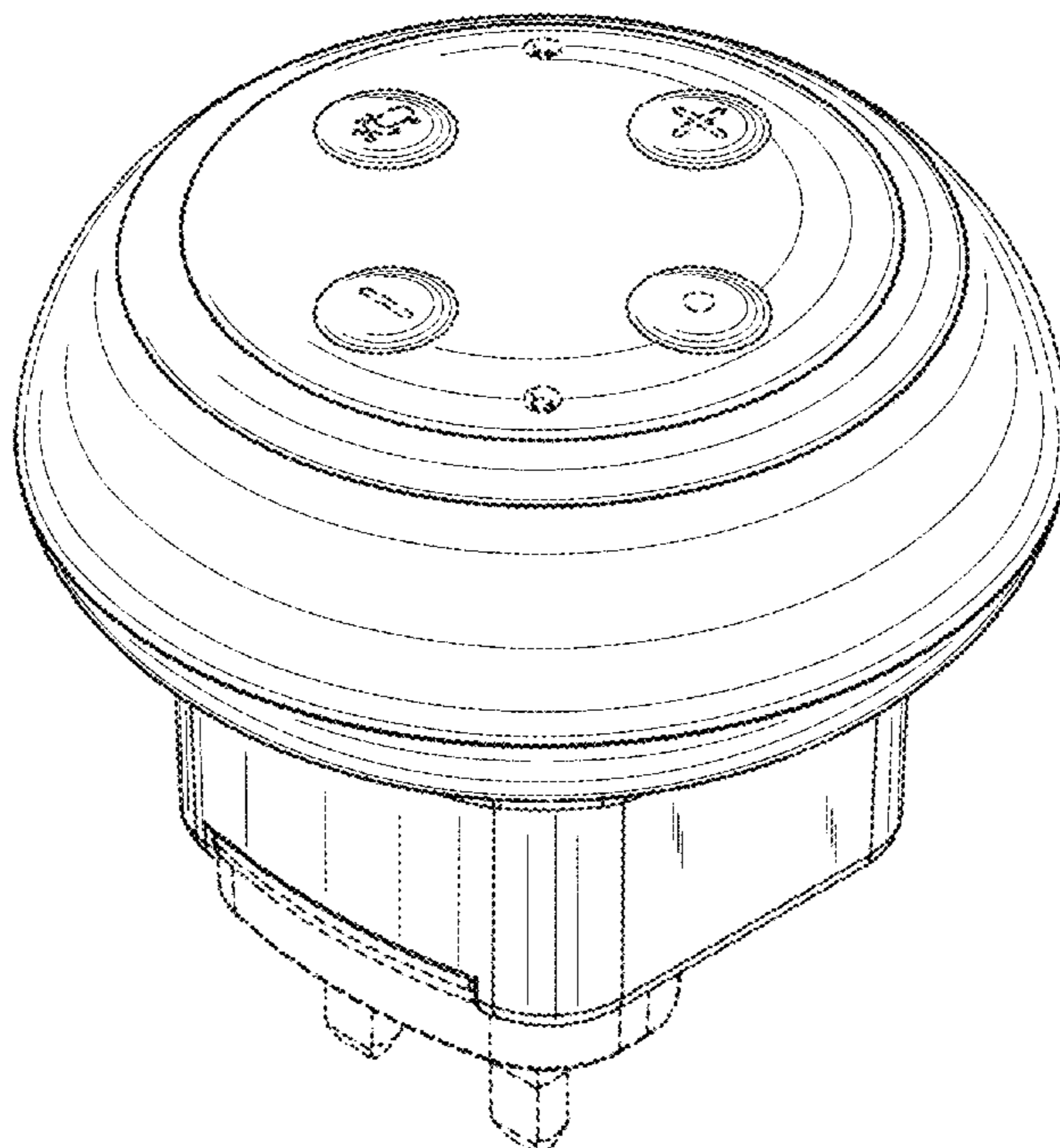


FIG. 1

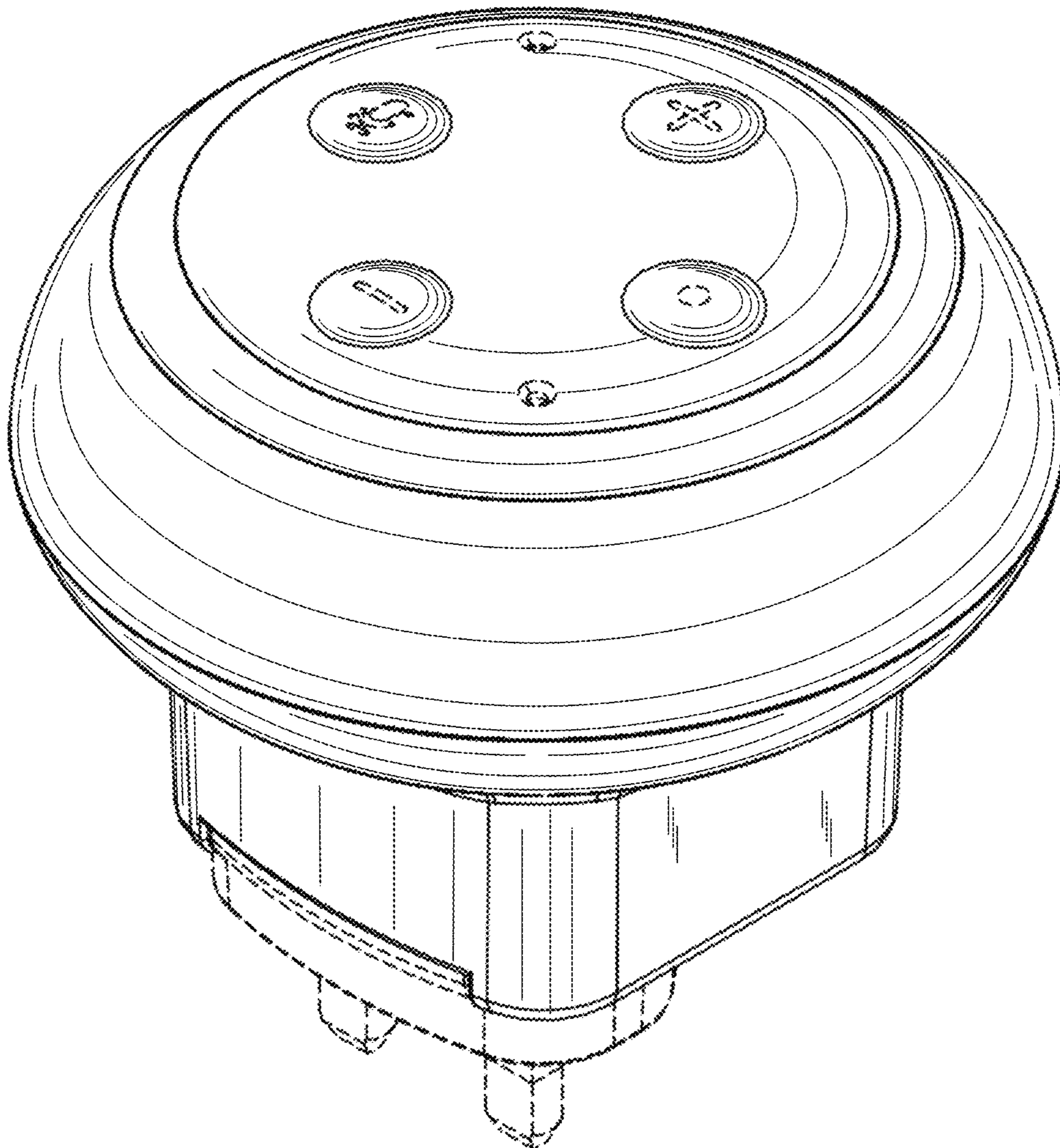


FIG. 2

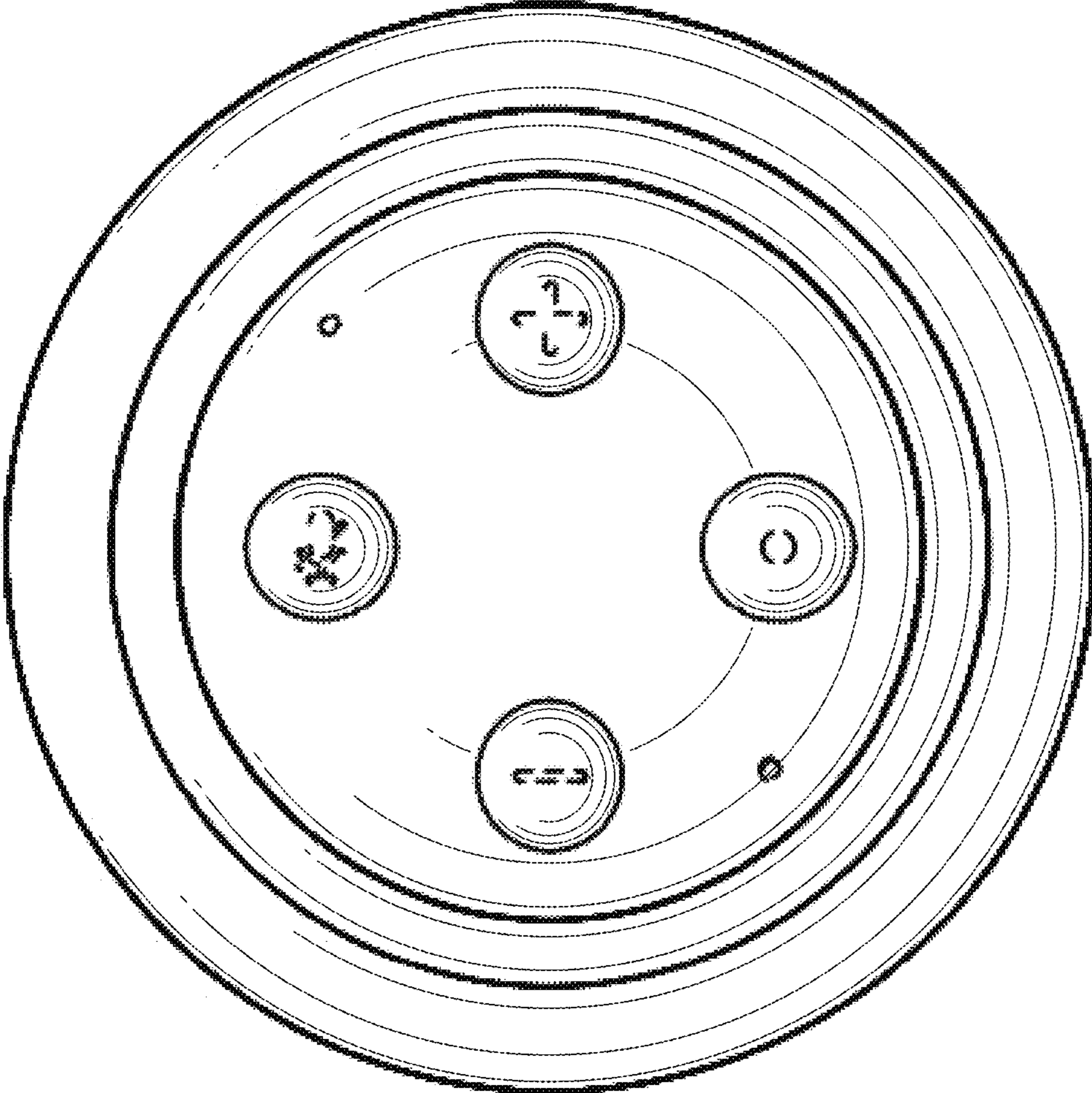


FIG. 3

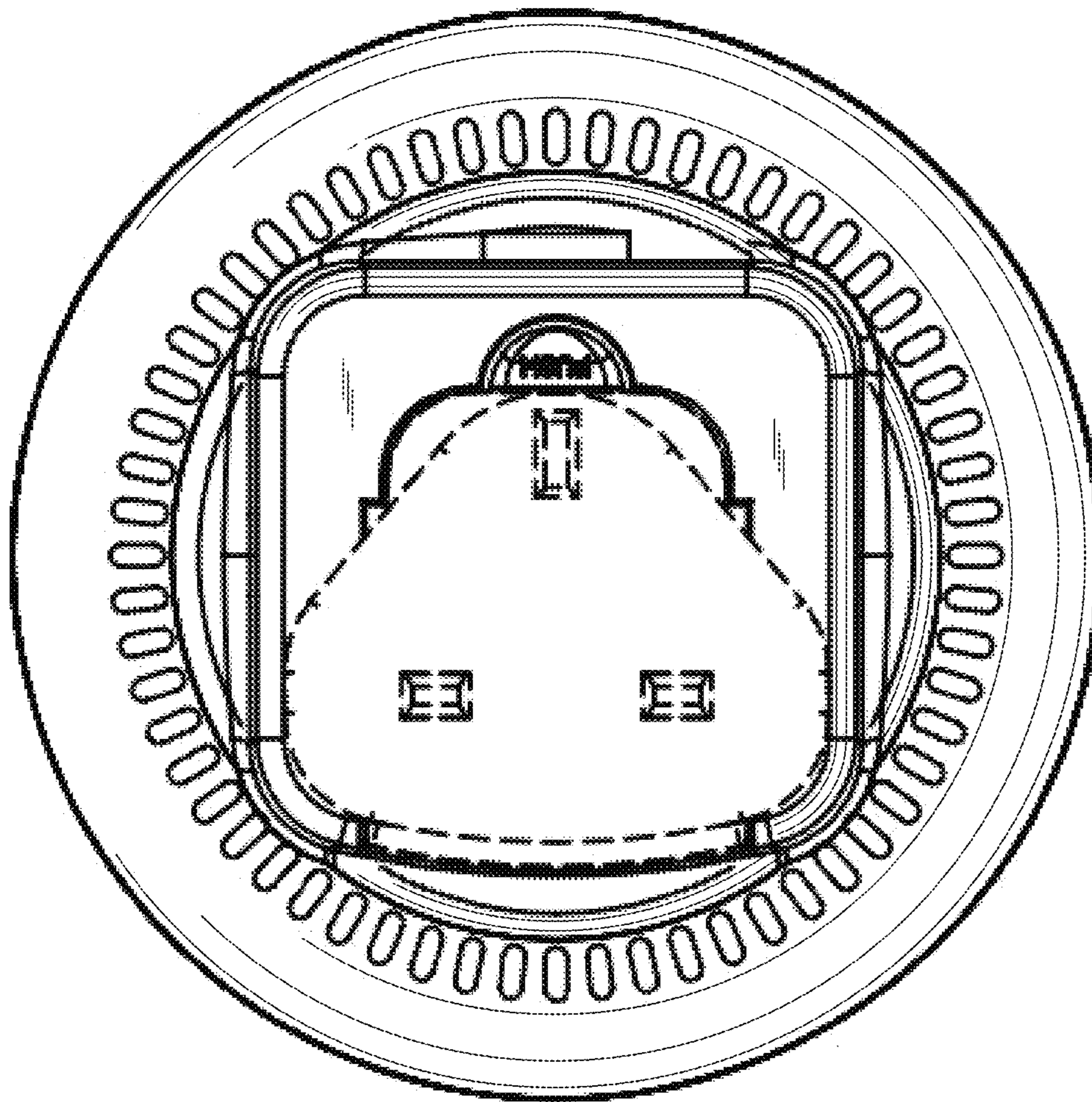


FIG. 4

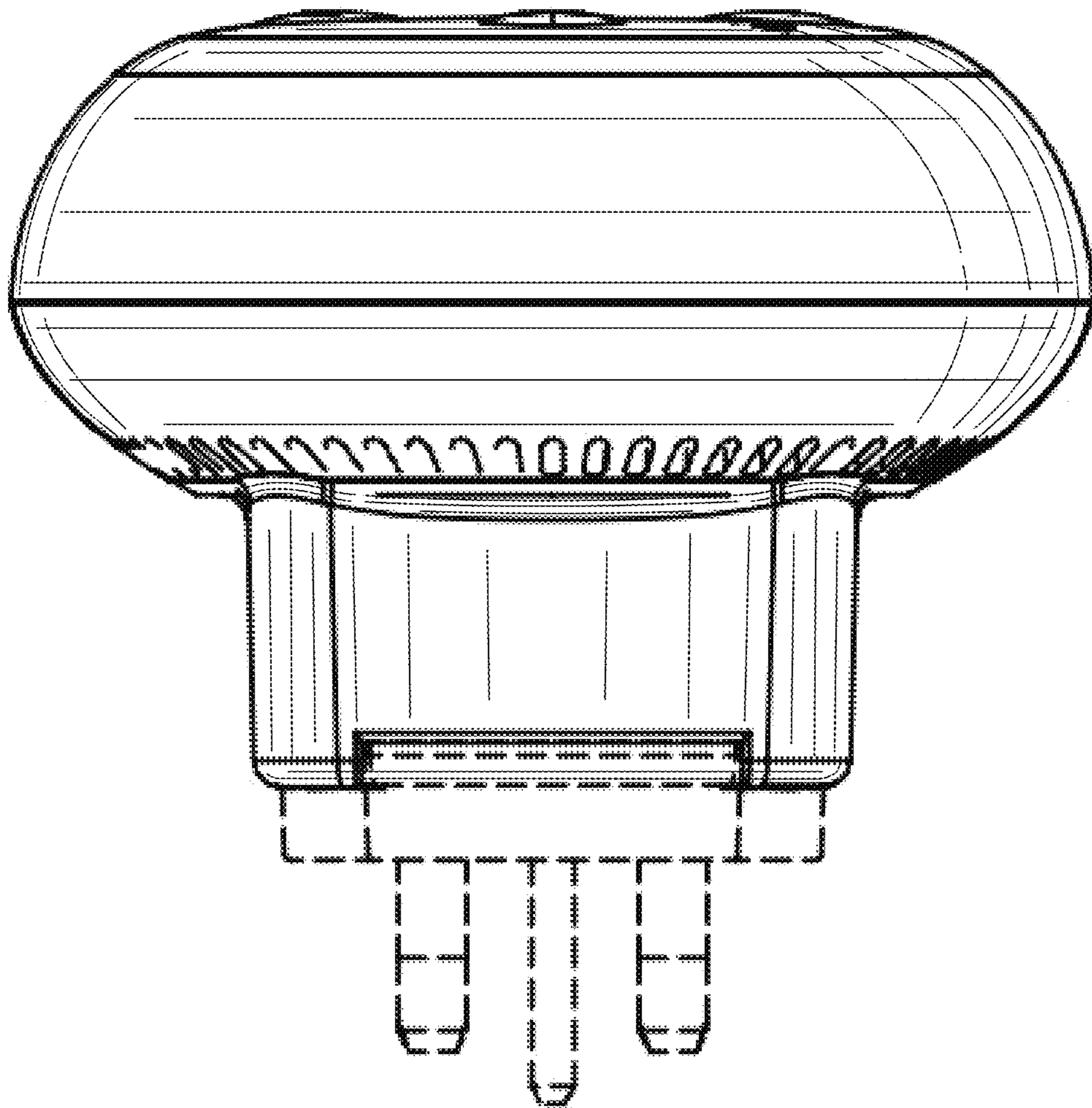


FIG. 5

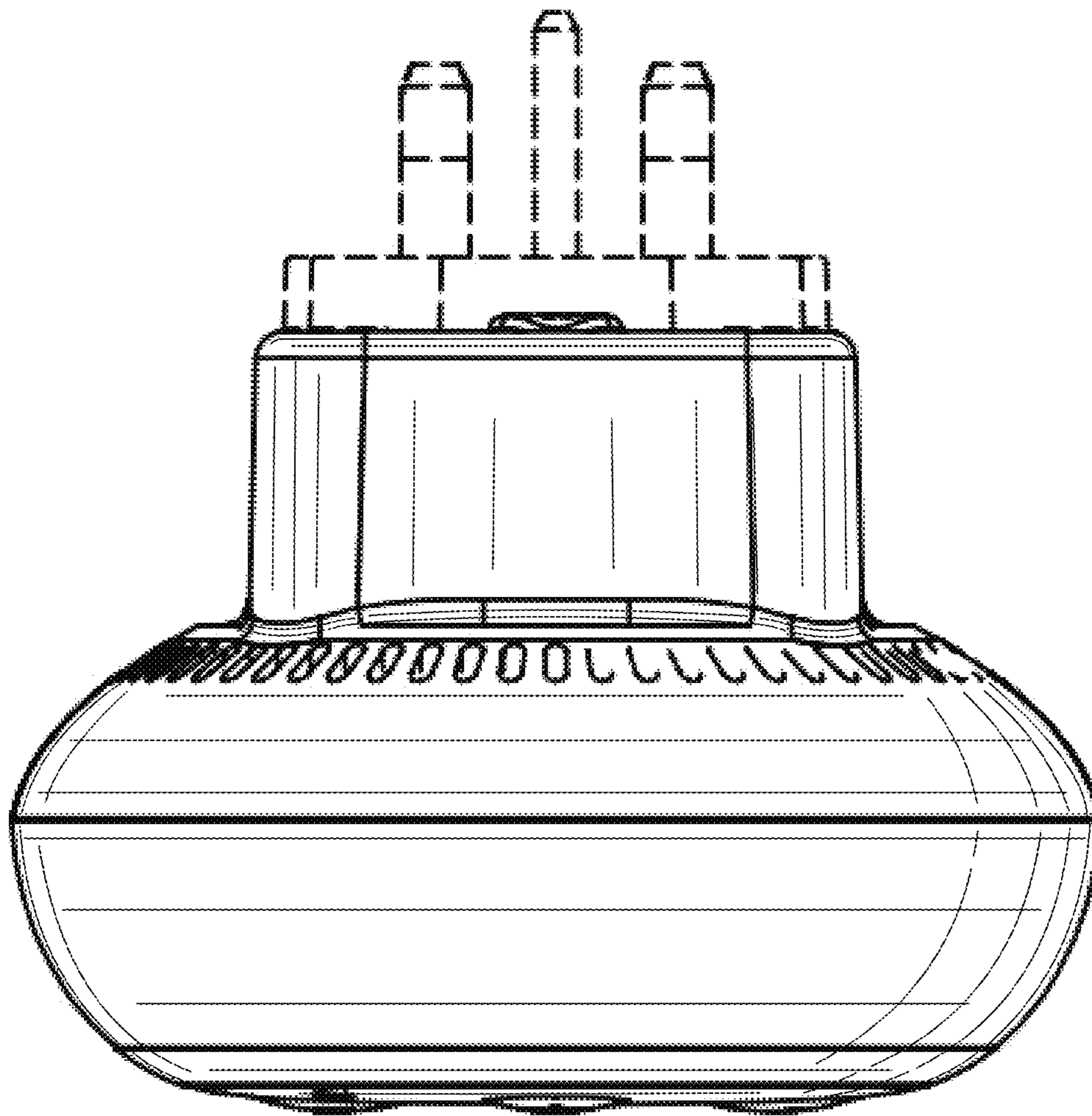


FIG. 6

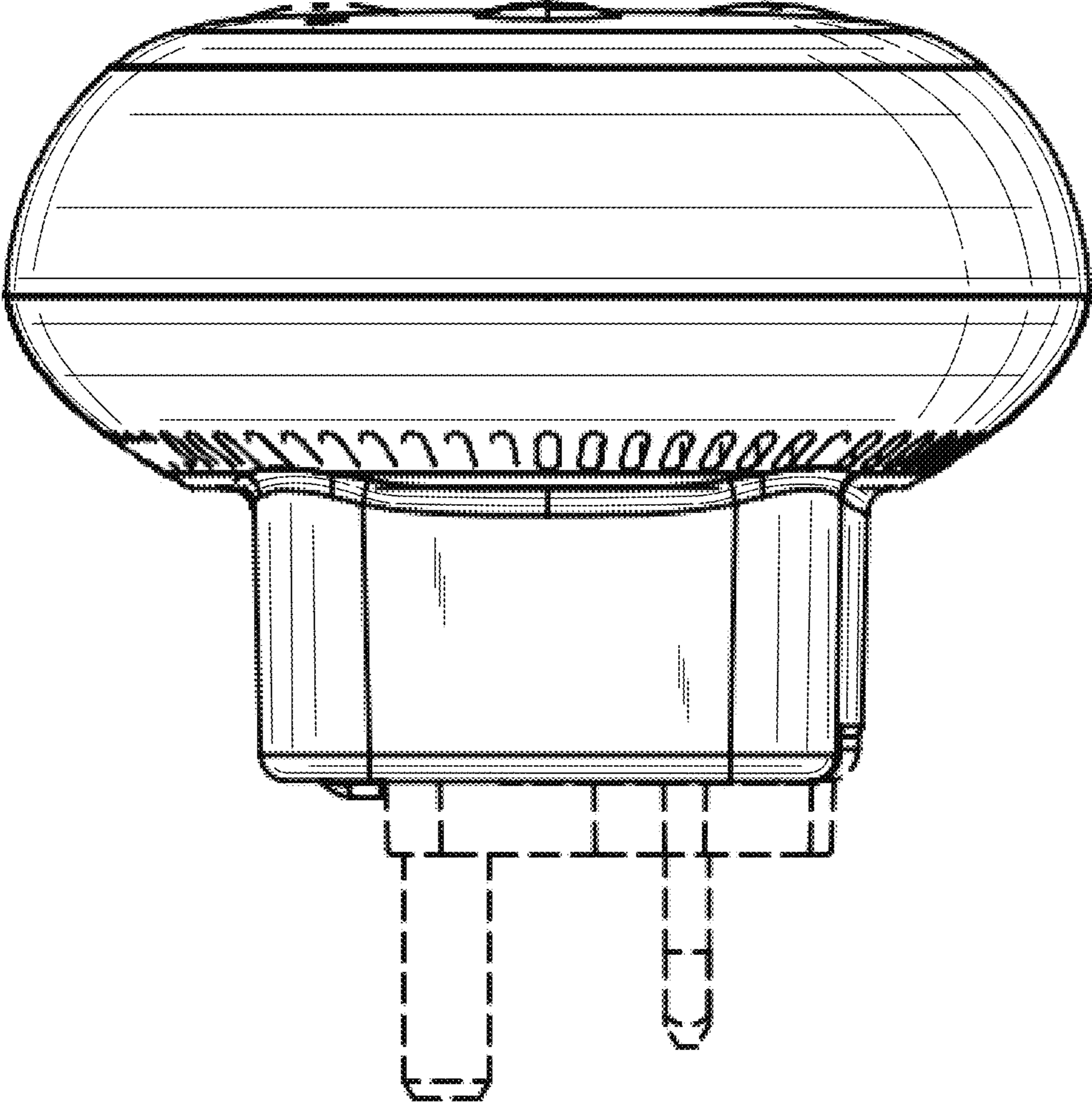


FIG. 7

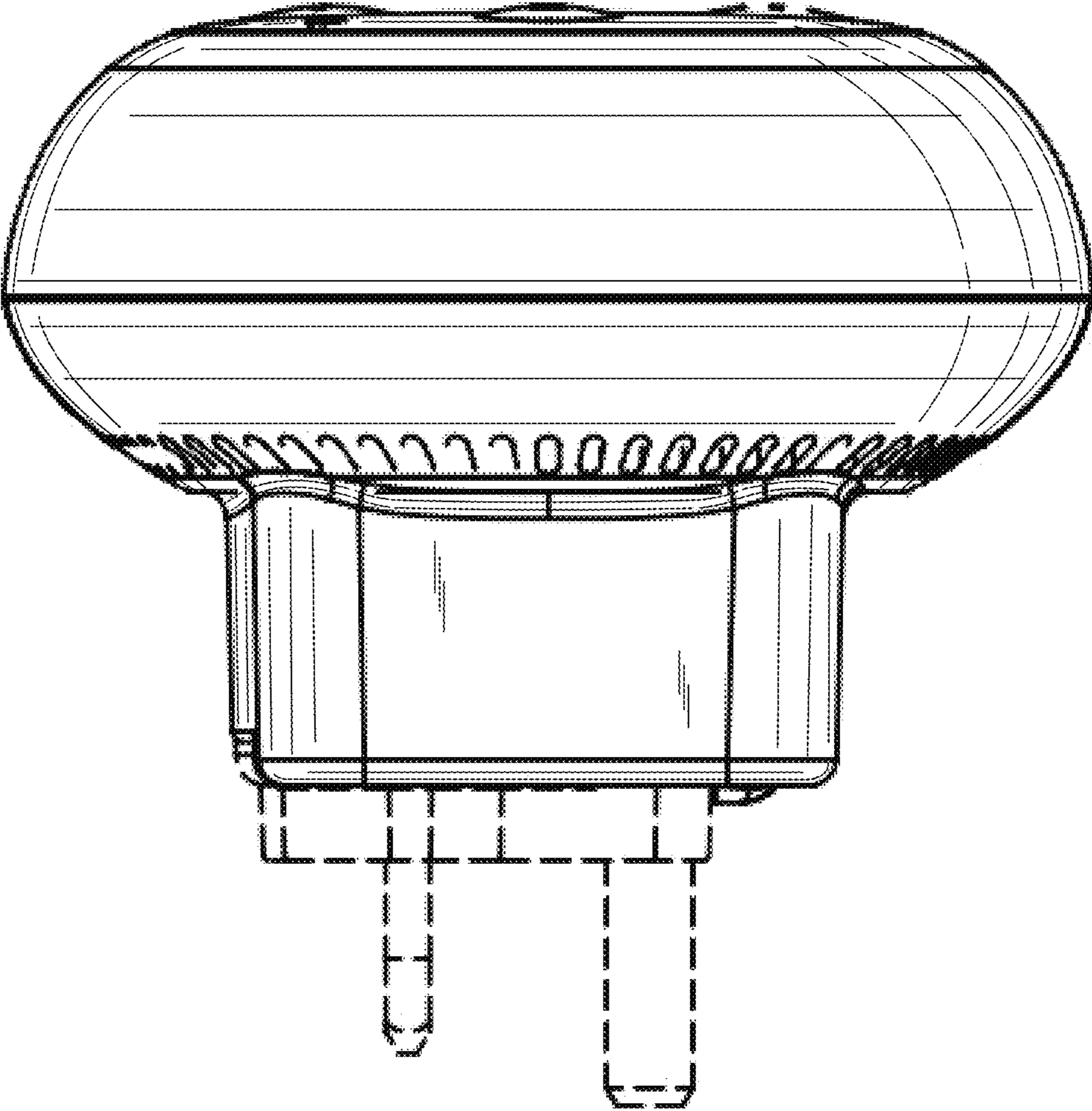


FIG. 8

