



US00D877703S

(12) **United States Design Patent**
Holub et al.

(10) **Patent No.:** **US D877,703 S**
(45) **Date of Patent:** **** Mar. 10, 2020**

(54) **ELECTRICAL CONNECTOR ASSEMBLY**

(71) Applicant: **J.S.T. CORPORATION**, Farmington Hills, MI (US)

(72) Inventors: **Franklin A. Holub**, West Bloomfield, MI (US); **Rajit Abraham**, Shelby Township, MI (US); **Khalid Jabrane**, Novi, MI (US)

(73) Assignee: **J.S.T. CORPORATION**, Farmington Hills, MI (US)

(**) Term: **15 Years**

(21) Appl. No.: **29/637,985**

(22) Filed: **Feb. 23, 2018**

(51) **LOC (12) Cl.** **13-03**

(52) **U.S. Cl.**
USPC **D13/147**

(58) **Field of Classification Search**
USPC D13/118, 123, 133, 146, 147, 149, 154,
D13/156, 173, 184, 199

(Continued)

(56) **References Cited**

U.S. PATENT DOCUMENTS

5,330,369 A 7/1994 Nozaki
5,584,719 A 12/1996 Tsuji et al.

(Continued)

FOREIGN PATENT DOCUMENTS

EP 0862244 A1 9/1998
EP 1096616 A2 2/2000

(Continued)

OTHER PUBLICATIONS

European Search Report in European Application No, 17191762.8, dated Dec. 12, 2017.

(Continued)

Primary Examiner — Angela J Lee

Assistant Examiner — Shawn T Gingrich

(74) *Attorney, Agent, or Firm* — Kratz, Quintos & Hanson, LLP

(57) **CLAIM**

The ornamental design for an electrical connector assembly, as shown and described.

DESCRIPTION

FIG. 1 is a top and front perspective view of the female connector of the electrical connector assembly according to the claimed design;

FIG. 2 is a top and back perspective view of the female connector of the electrical connector assembly according to the claimed design;

FIG. 3 is a bottom and front perspective view of the female connector of the electrical connector assembly according to the claimed design;

FIG. 4 is a bottom and back perspective view of the female connector of the electrical connector assembly according to the claimed design;

FIG. 5 is a front view of the female connector of the electrical connector assembly according to the claimed design;

FIG. 6 is a back view of the female connector of the electrical connector assembly according to the claimed design;

FIG. 7 is a left side elevational view of the female connector of the electrical connector assembly according to the claimed design;

FIG. 8 is a right side elevational view of the female connector of the electrical connector assembly according to the claimed design;

FIG. 9 is a top view of the female connector of the electrical connector assembly according to the claimed design;

FIG. 10 is a bottom view of the female connector of the electrical connector assembly according to the claimed design;

(Continued)

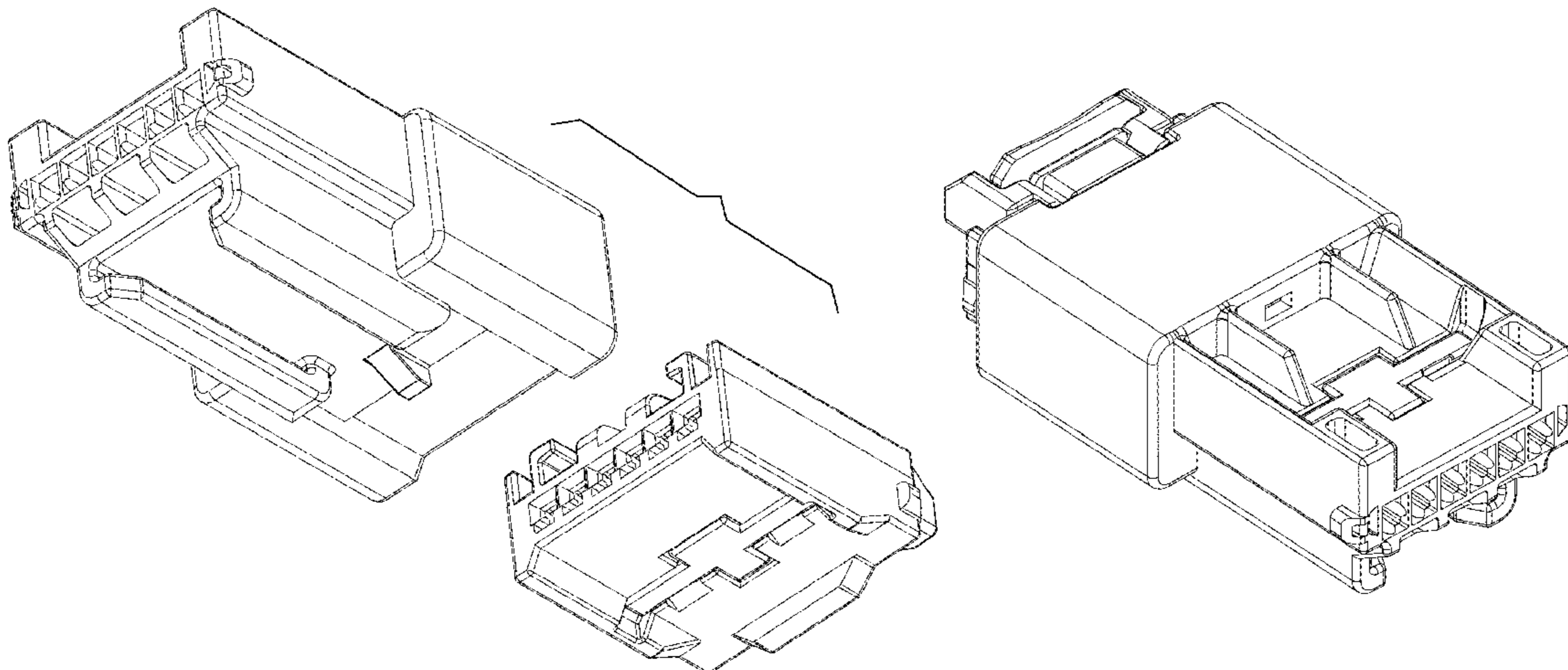


FIG. 11 is a top and front perspective view of the male connector of the electrical connector assembly according to the claimed design;
 FIG. 12 is a top and back perspective view of the male connector of the electrical connector assembly according to the claimed design;
 FIG. 13 is a bottom and front perspective view of the male connector of the electrical connector assembly according to the claimed design;
 FIG. 14 is a bottom and back perspective view of the male connector of the electrical connector assembly according to the claimed design;
 FIG. 15 is a front view of the male connector of the electrical connector assembly according to the claimed design;
 FIG. 16 is a back view of the male connector of the electrical connector assembly according to the claimed design;
 FIG. 17 is a left side elevational view of the male connector of the electrical connector assembly according to the claimed design;
 FIG. 18 is a right side elevational view of the male connector of the electrical connector assembly according to the claimed design;
 FIG. 19 is a top view of the male connector of the electrical connector assembly according to the claimed design;
 FIG. 20 is a bottom view of the male connector of the electrical connector assembly according to the claimed design;
 FIG. 21 is a top perspective view of the electrical connector assembly according to the claimed design;
 FIG. 22 is a top and side perspective view of the electrical connector assembly according to the claimed design;
 FIG. 23 is a top, front and right side perspective view of the electrical connector assembly according to the claimed design;
 FIG. 24 is a top, front, and left side perspective view of the electrical connector assembly according to the claimed design;
 FIG. 25 is a bottom and front perspective view of the electrical connector assembly according to the claimed design; and,
 FIG. 26 is a top and back perspective view of the electrical connector assembly according to the claimed design.

1 Claim, 14 Drawing Sheets

(58) **Field of Classification Search**

CPC H01R 3/00; H01R 13/62; H01R 13/627; H01R 13/629; H01R 13/63; H01R 13/639; H01R 13/64; H01R 13/641; H01R 43/26

See application file for complete search history.

(56) **References Cited**

U.S. PATENT DOCUMENTS

5,628,649 A 5/1997 Yagi et al.
 5,759,058 A 6/1998 Childs et al.
 5,823,813 A 10/1998 Dye
 5,934,944 A * 8/1999 Aoyama H01R 13/514
 439/701
 6,116,939 A 9/2000 Fukuda
 6,186,819 B1 2/2001 Holub

6,280,226 B1 * 8/2001 Takatsuki H01R 13/6272
 439/354
 6,312,277 B1 11/2001 Holub
 6,319,043 B1 * 11/2001 Takatsuki H01R 13/6272
 439/354
 6,435,895 B1 8/2002 Fink et al.
 7,104,829 B2 * 9/2006 Volpone H01R 13/6272
 439/358
 D564,452 S * 3/2008 Kudo D13/147
 7,909,638 B2 3/2011 Seo et al.
 8,747,146 B2 6/2014 Brown et al.
 8,920,187 B2 12/2014 Kon et al.
 D747,689 S * 1/2016 Endo D13/147
 D748,580 S * 2/2016 Endo D13/146
 D748,588 S * 2/2016 Endo D13/147
 9,318,847 B2 * 4/2016 Endo H01R 13/639
 10,103,487 B2 * 10/2018 Holub H01R 13/641
 10,109,955 B2 * 10/2018 Holub H01R 13/64
 10,135,182 B1 * 11/2018 Azad H01R 13/6272
 10,283,909 B2 * 5/2019 Holub H01R 13/641
 D852,753 S * 7/2019 Endo D13/147
 10,348,019 B1 * 7/2019 Hocevar H01R 13/4223
 2002/0045380 A1 4/2002 Endo et al.
 2003/0171027 A1 9/2003 Shuey et al.
 2004/0067676 A1 4/2004 Nimura
 2004/0248453 A1 12/2004 McLauchlan et al.
 2008/0020639 A1 * 1/2008 Ichio H01R 13/4362
 439/595
 2012/0164866 A1 * 6/2012 Suemitsu H01R 13/4361
 439/345
 2012/0282791 A1 11/2012 Brown et al.
 2014/0370757 A1 * 12/2014 Endo H01R 13/4223
 439/626
 2015/0147901 A1 * 5/2015 Wu H01R 13/639
 439/357
 2015/0200492 A1 * 7/2015 Endo H01R 13/4361
 439/345
 2015/0214663 A1 * 7/2015 Kim H01R 13/6272
 439/345
 2015/0222043 A1 * 8/2015 Yagi H01R 13/6456
 439/625
 2015/0333433 A1 * 11/2015 Yagi H01R 13/4361
 439/701
 2016/0164224 A1 6/2016 Sekino
 2017/0062982 A1 3/2017 Holub
 2017/0062983 A1 3/2017 Holub et al.
 2017/0179643 A1 6/2017 Holub
 2017/0179646 A1 6/2017 Holub
 2017/0207577 A1 * 7/2017 Holub H01R 13/64
 2017/0207594 A1 * 7/2017 Jabrane H01R 13/6272
 2018/0175571 A1 * 6/2018 Choo H01R 13/518
 2018/0301827 A1 * 10/2018 Takeuchi H01R 4/18
 2019/0199034 A1 * 6/2019 Azad H01R 43/26
 2019/0280429 A1 * 9/2019 Azad H01R 13/4361

FOREIGN PATENT DOCUMENTS

EP 1926183 A2 5/2008
 JP 2018101604 A * 6/2018 H01R 13/641

OTHER PUBLICATIONS

European Search Report in counterpart European Application No. 17191751.1, dated Mar. 27, 2018.
 U.S. Appl. No. 15/854,295, filed Dec. 26, 2017.
 European Search Report in European Application No. 17187151.0, dated Jan. 18, 2018.
 European Search Report in European Application No. 17187152.8, dated Jan. 18, 2018.
 U.S. Appl. No. 29/637,988, filed Feb. 23, 2018.
 U.S. Appl. No. 15/854,287, filed Dec. 26, 2017.

* cited by examiner

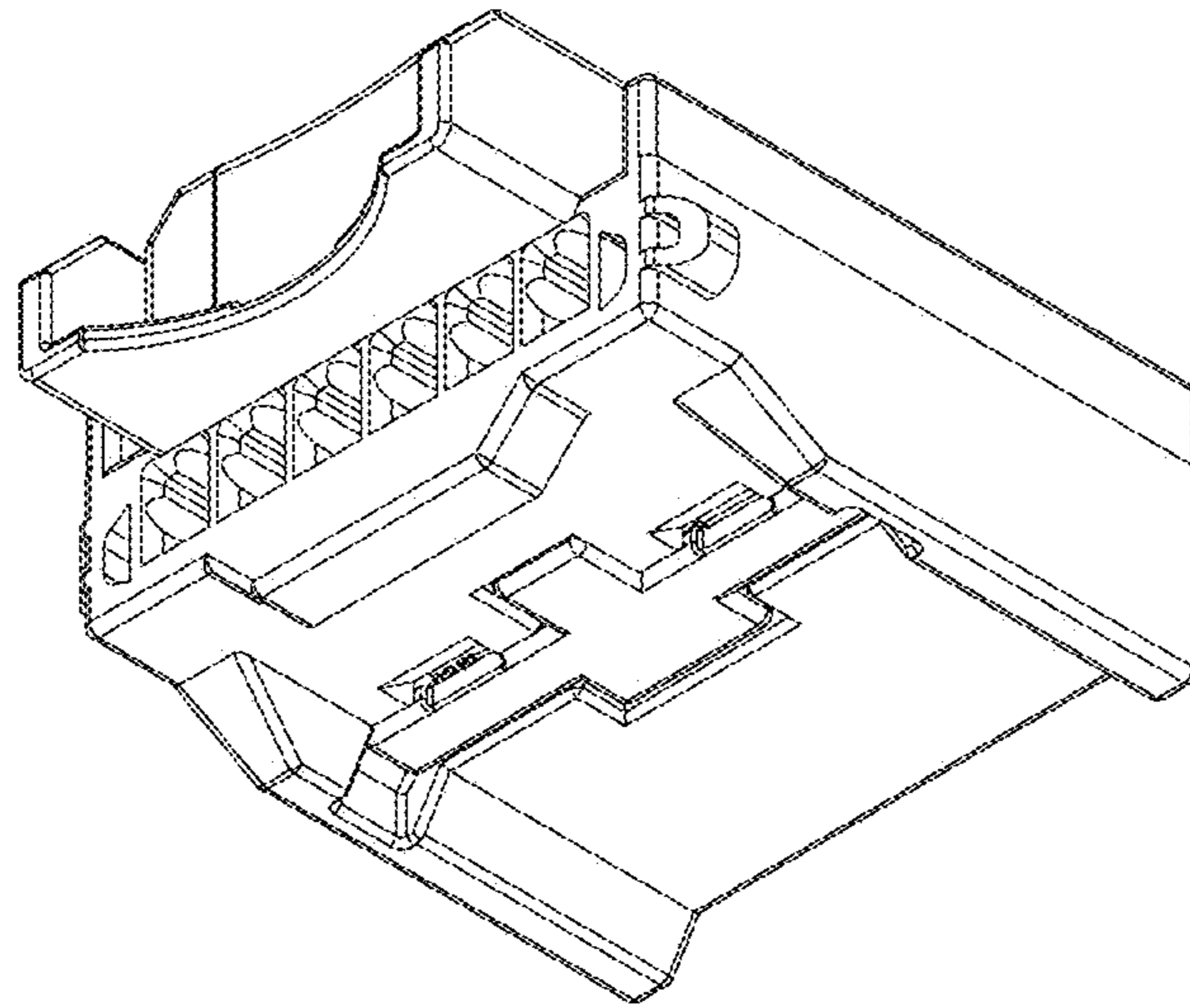


FIG. 1

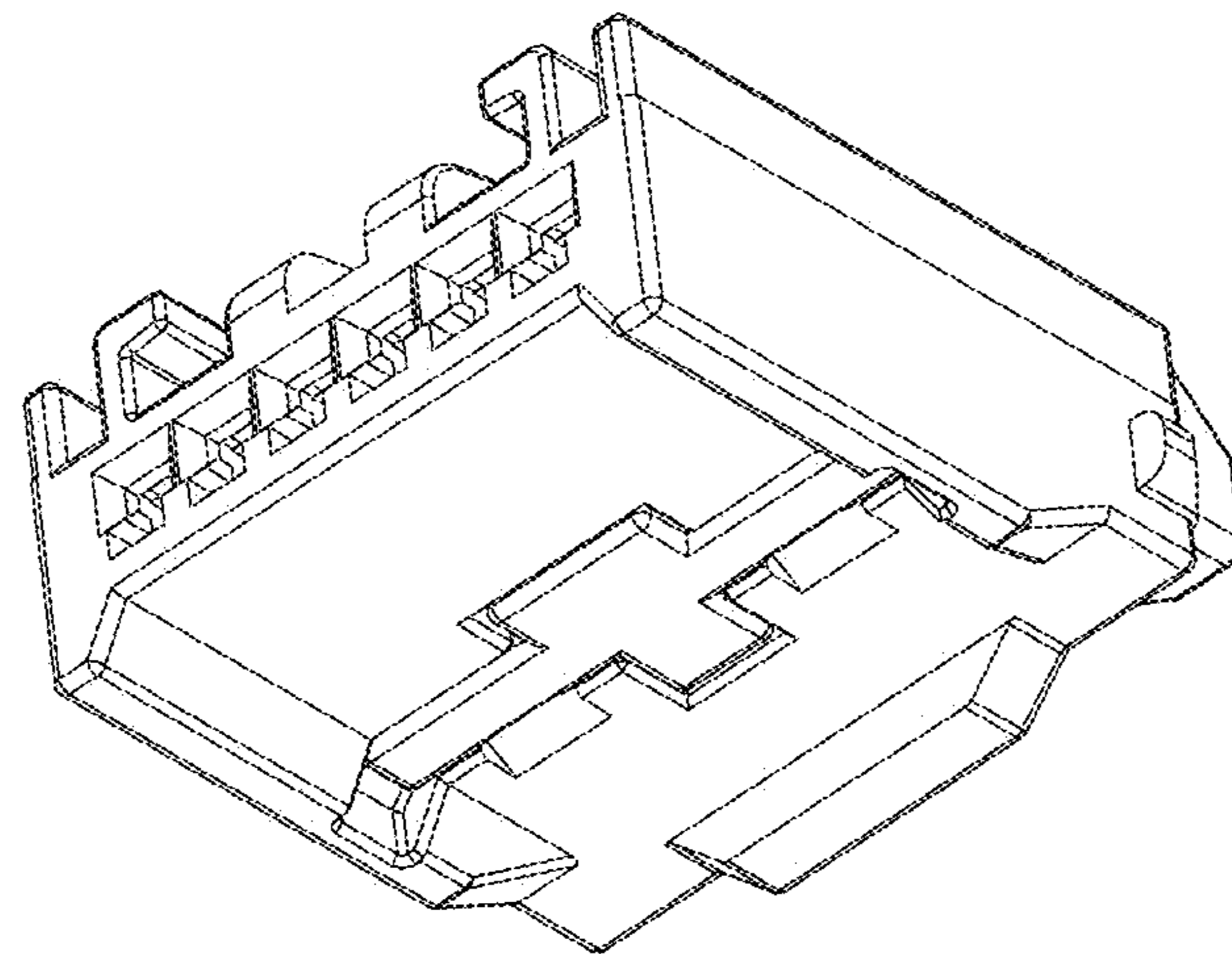


FIG. 2

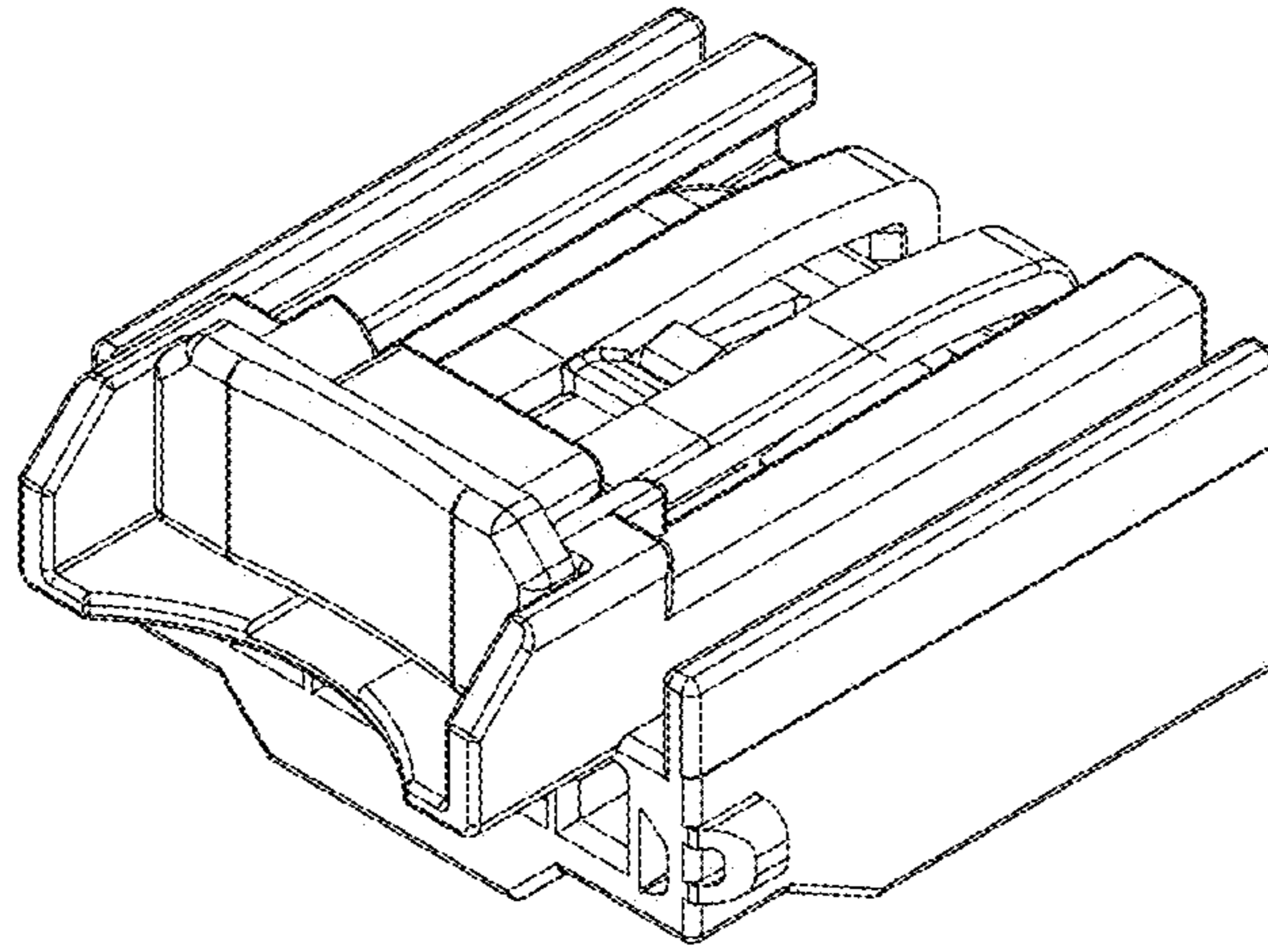


FIG. 3

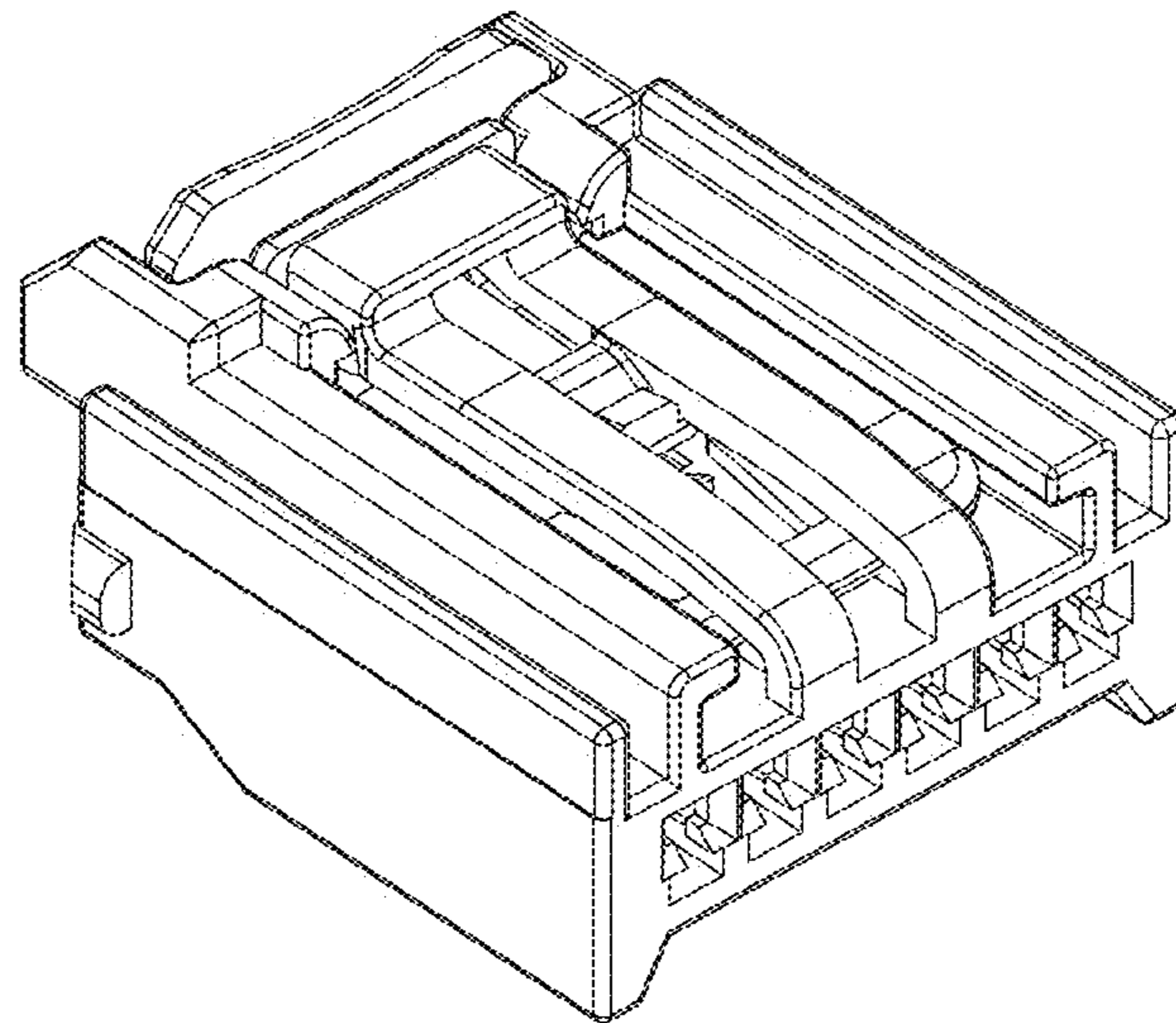


FIG. 4

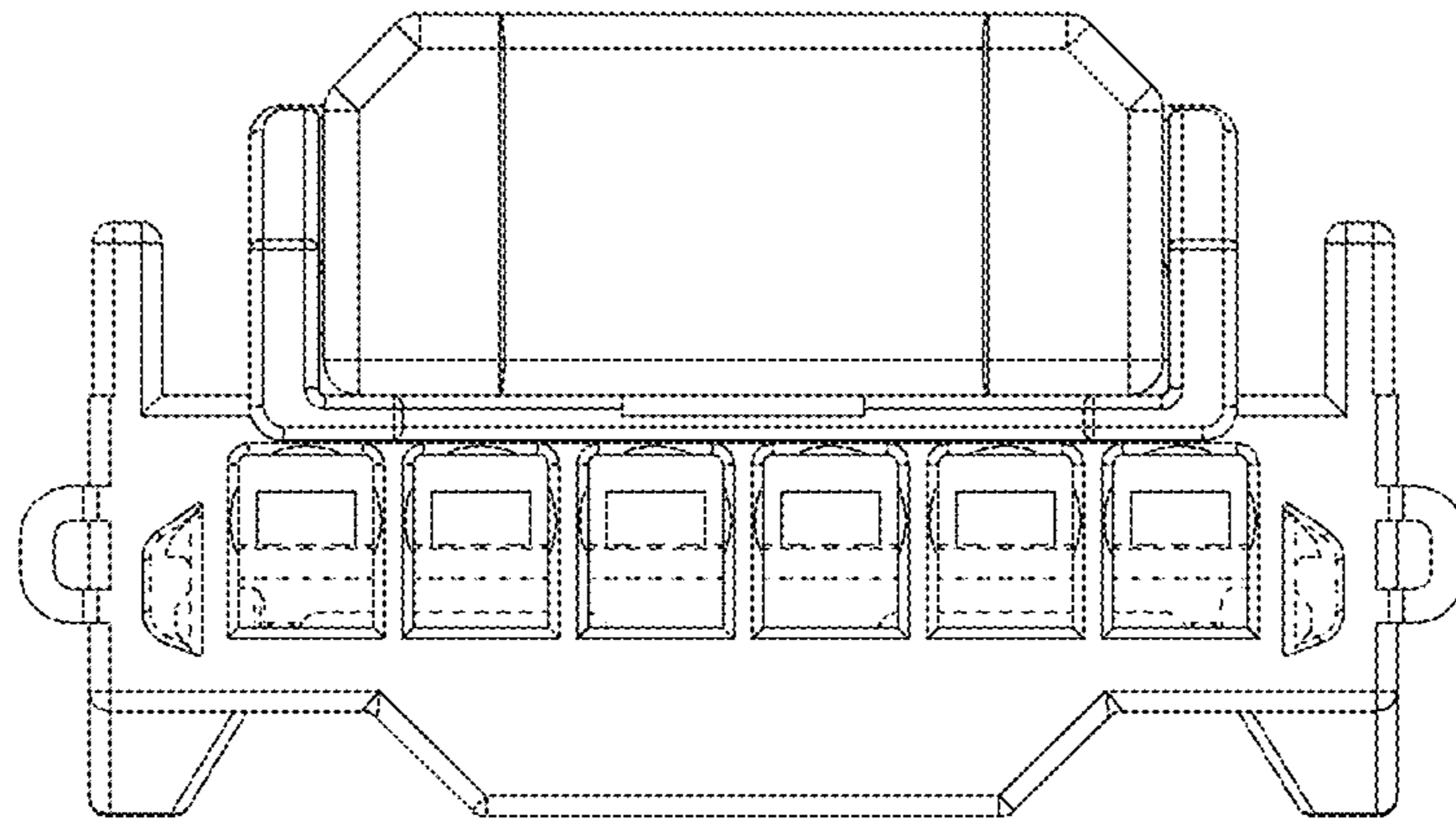


FIG. 5

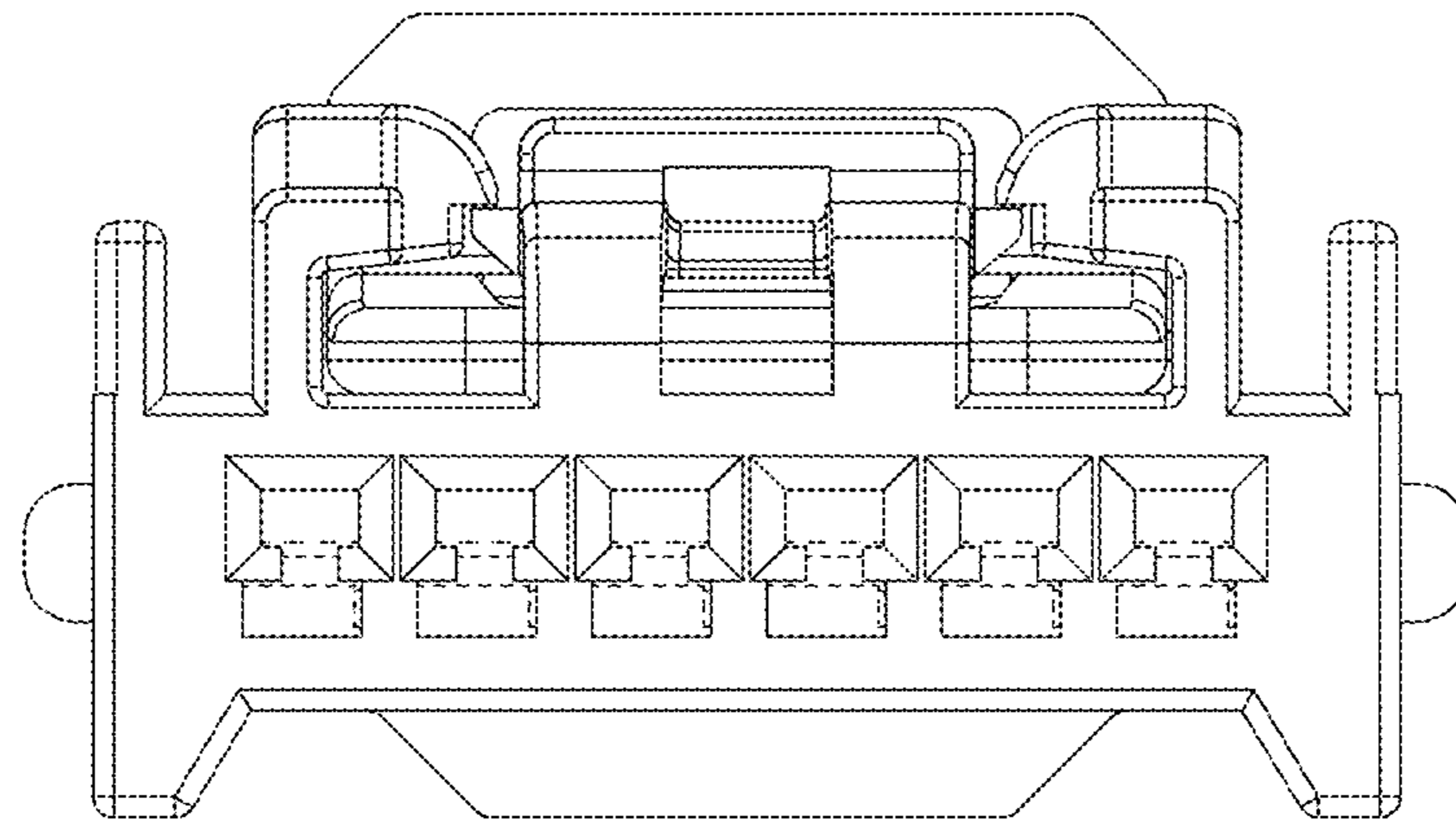


FIG. 6

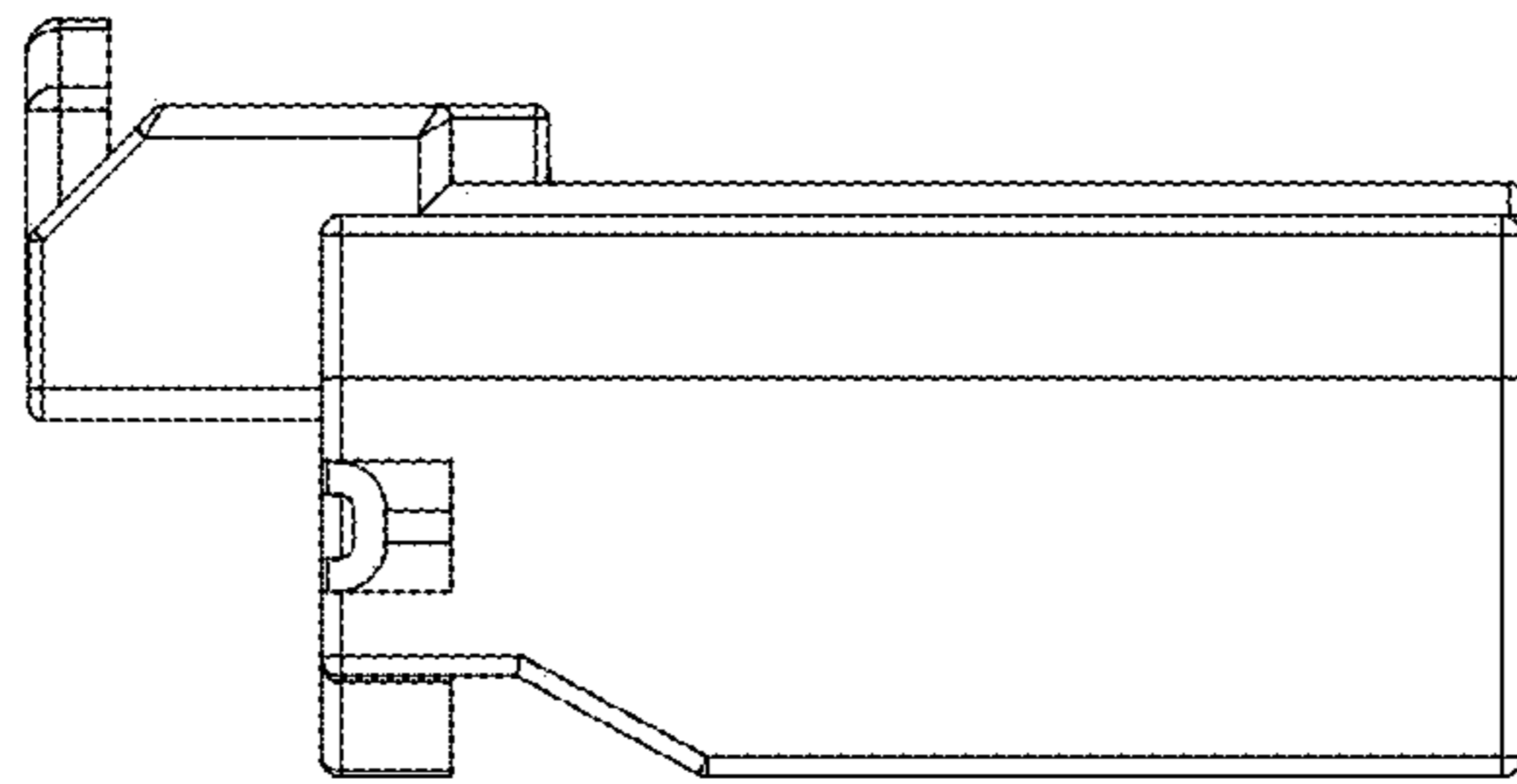


FIG. 7

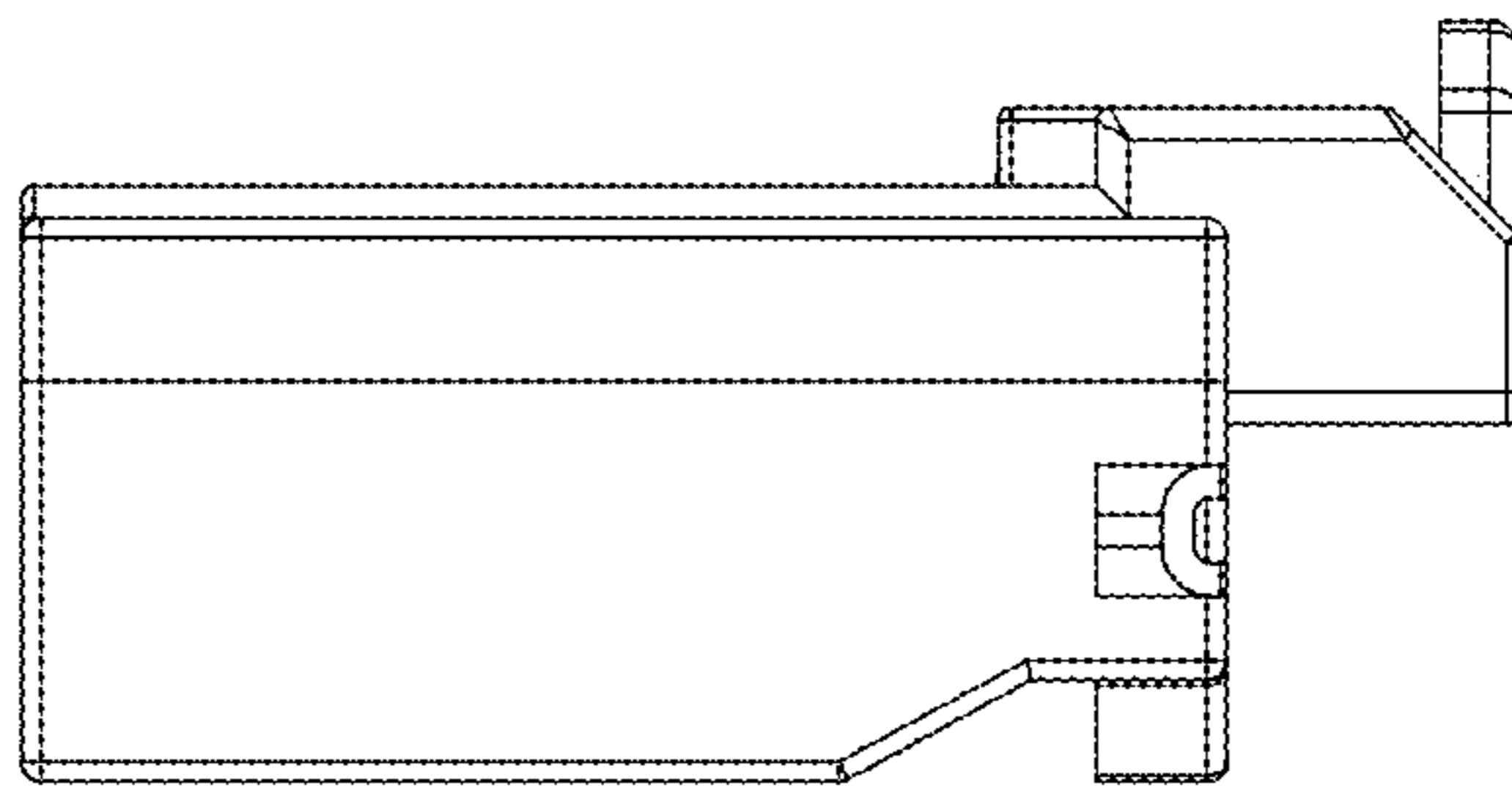


FIG. 8

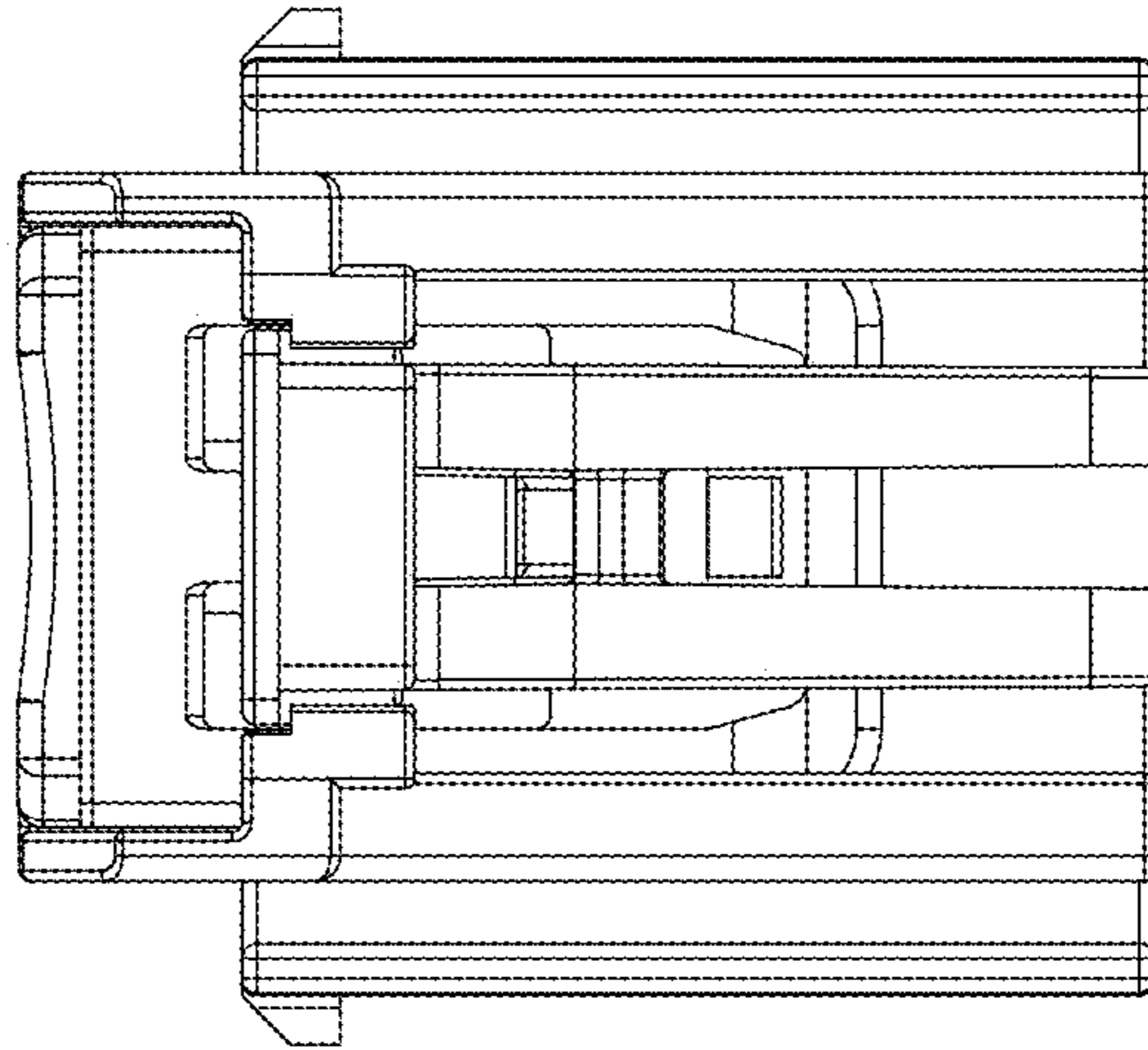


FIG. 9

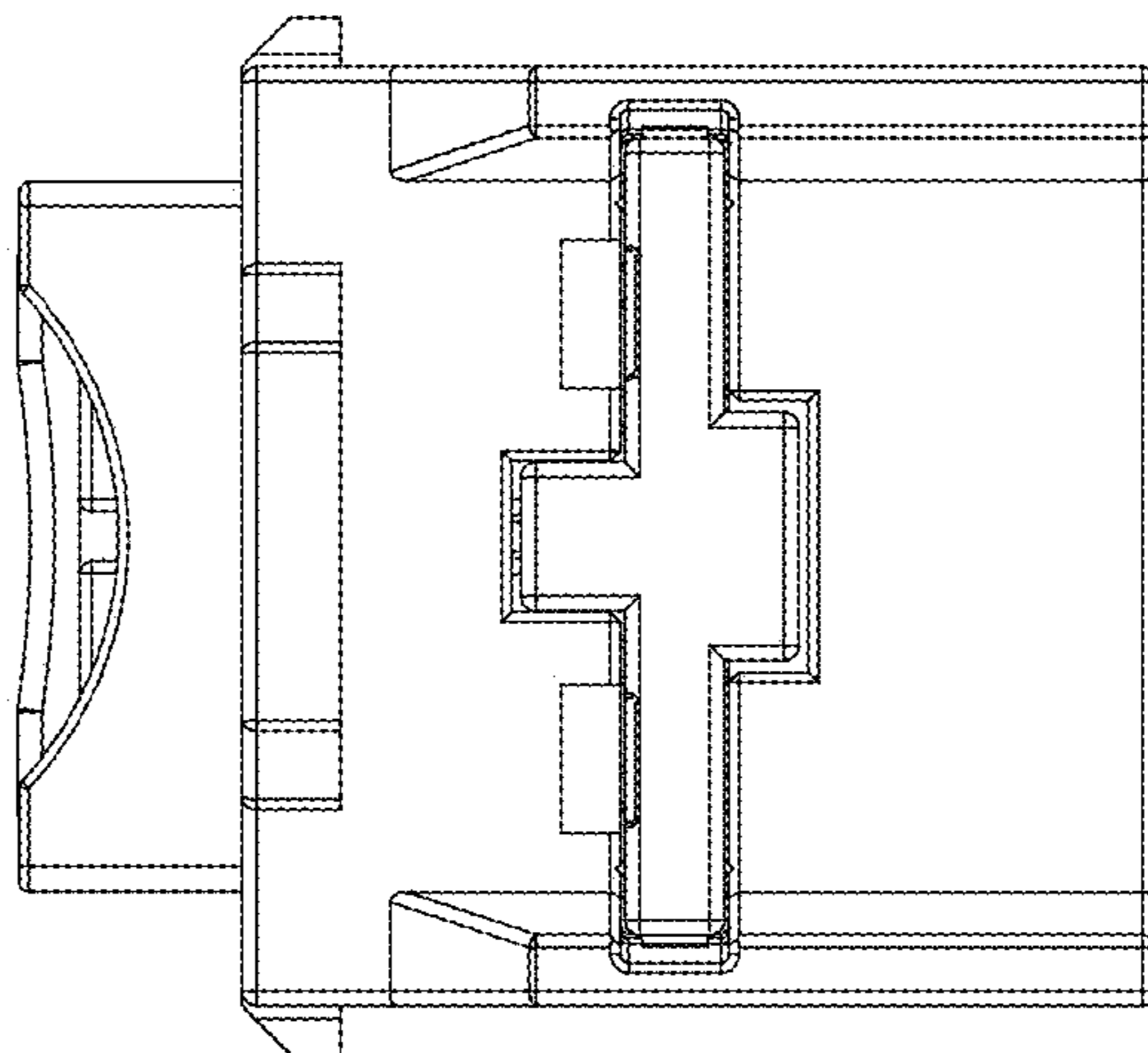


FIG. 10

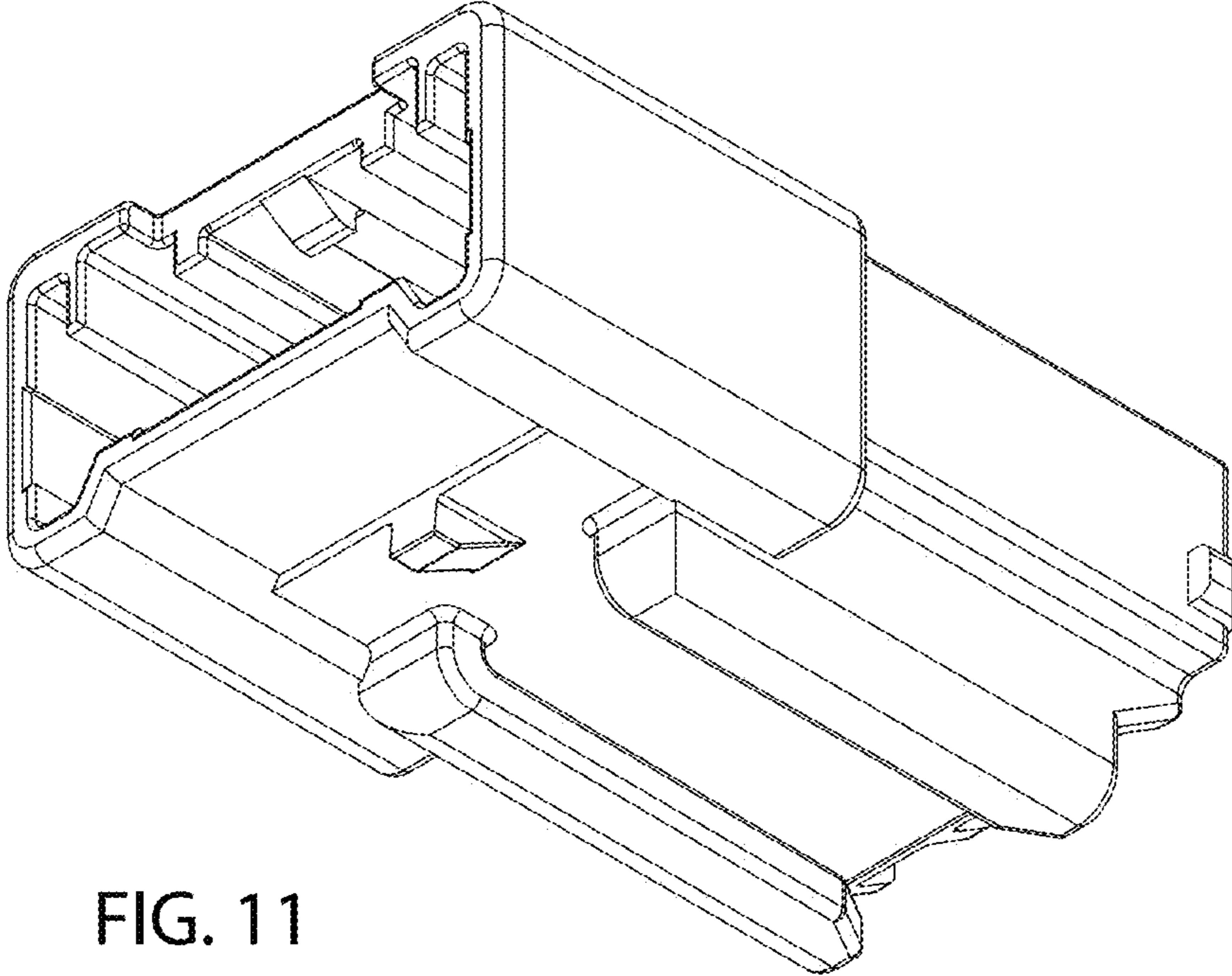


FIG. 11

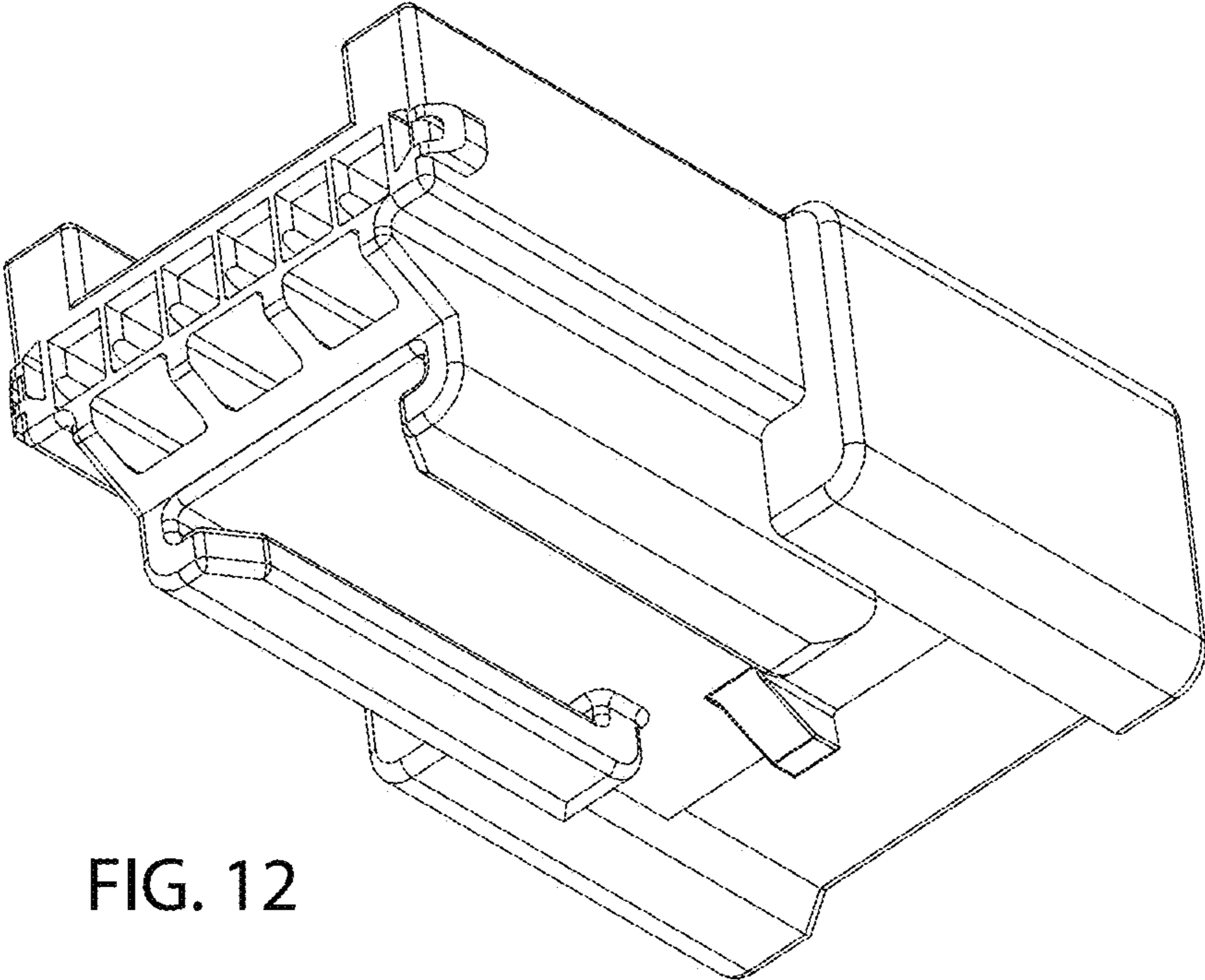


FIG. 12

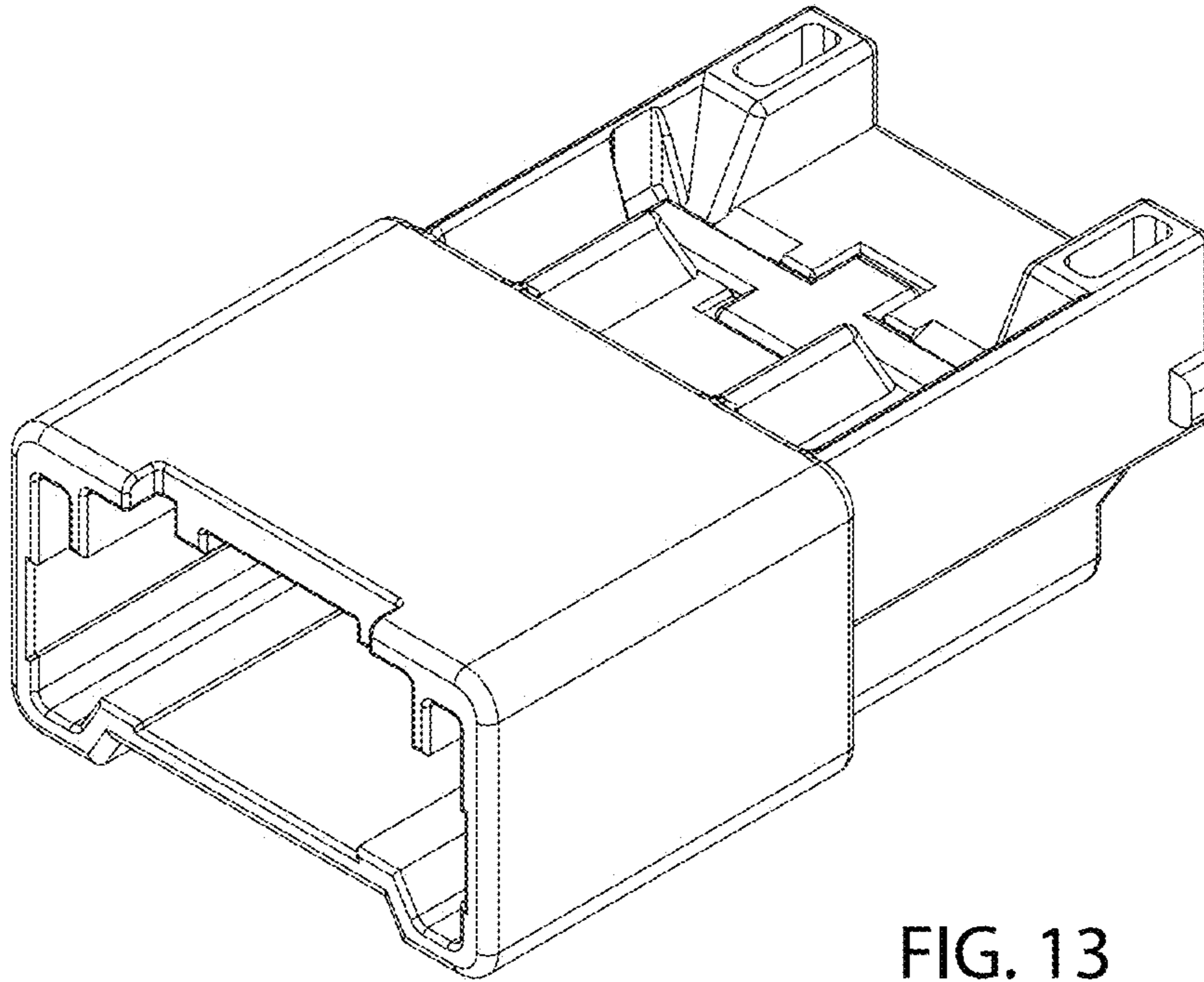


FIG. 13

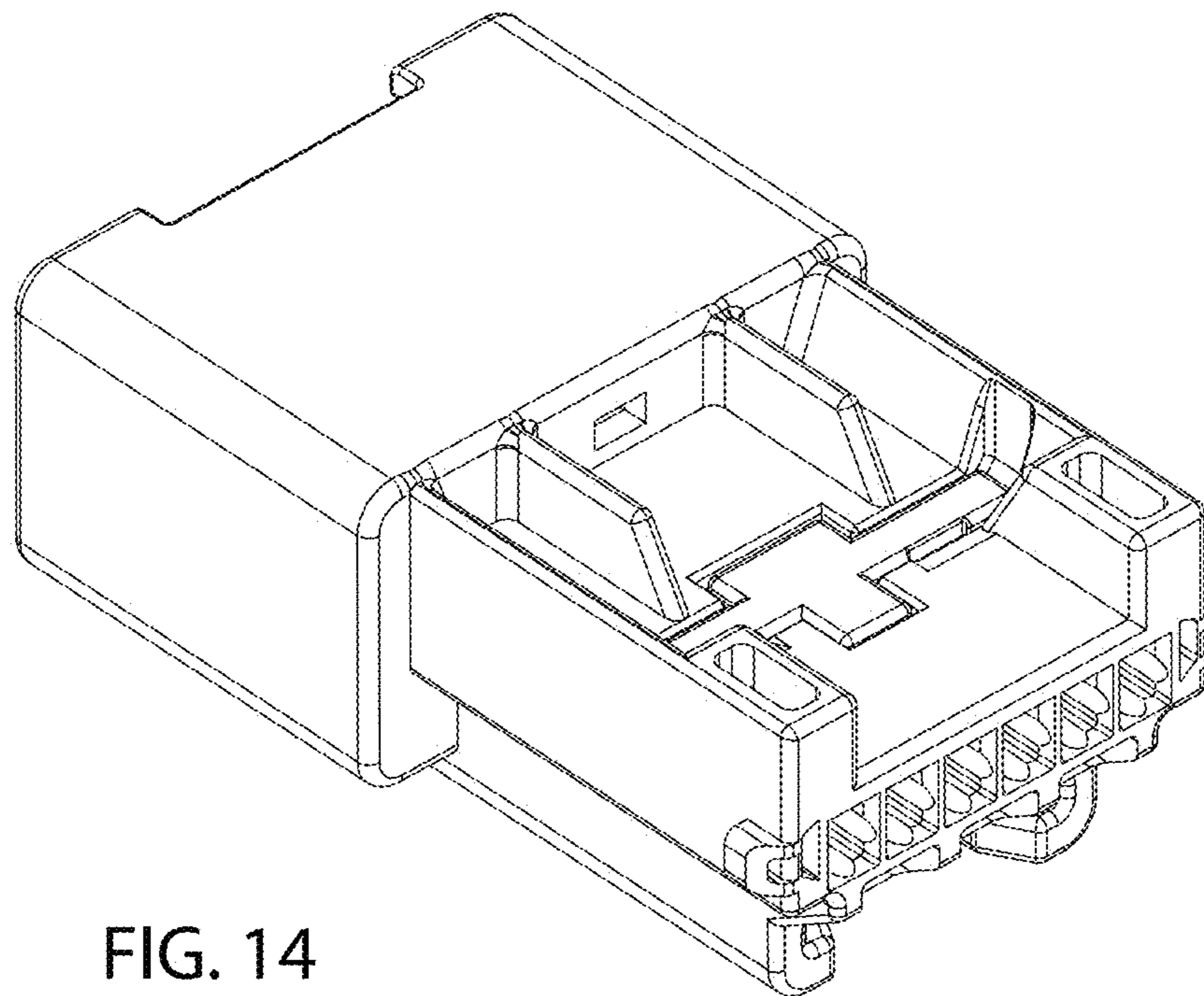


FIG. 14

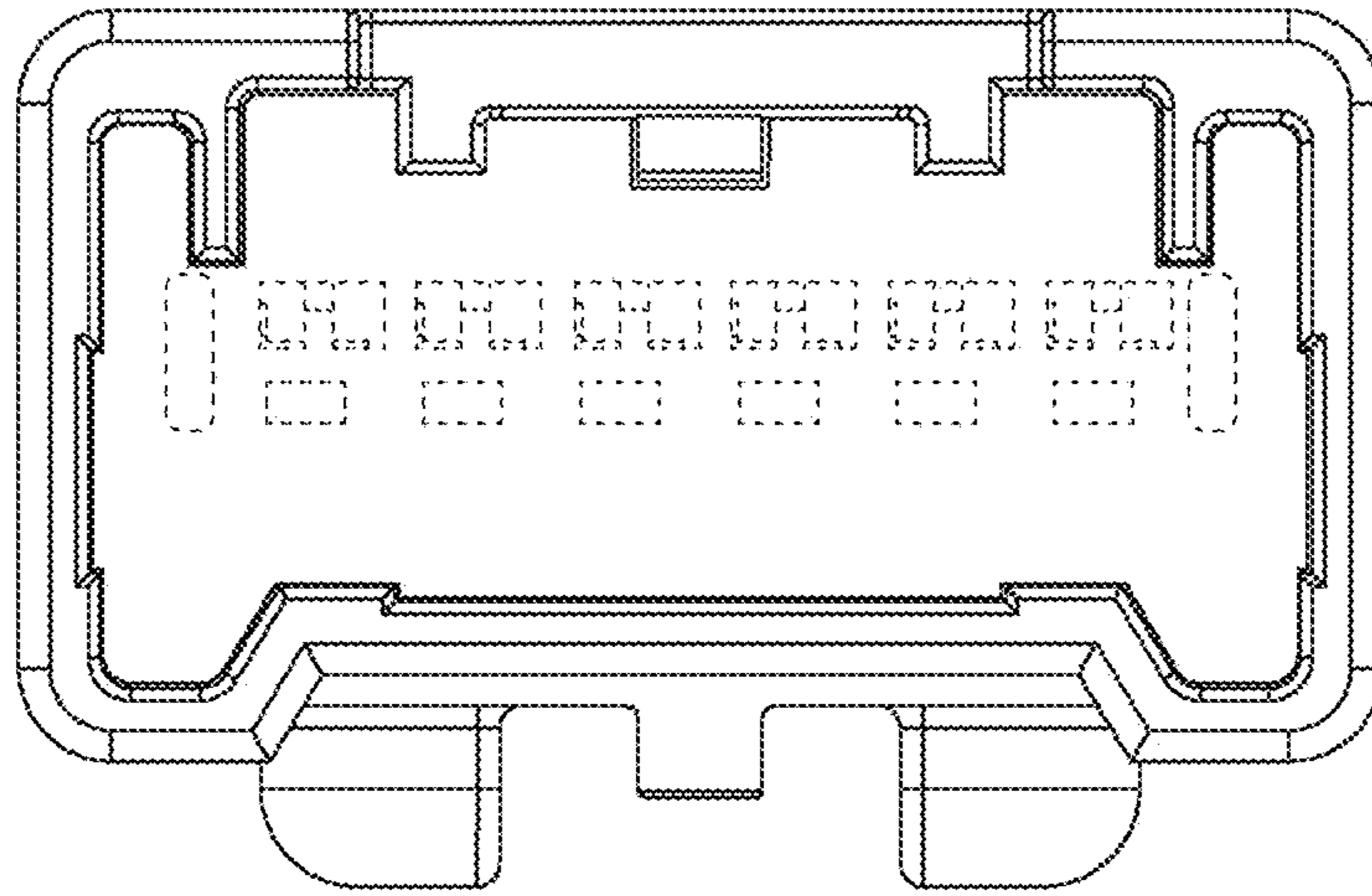


FIG. 15

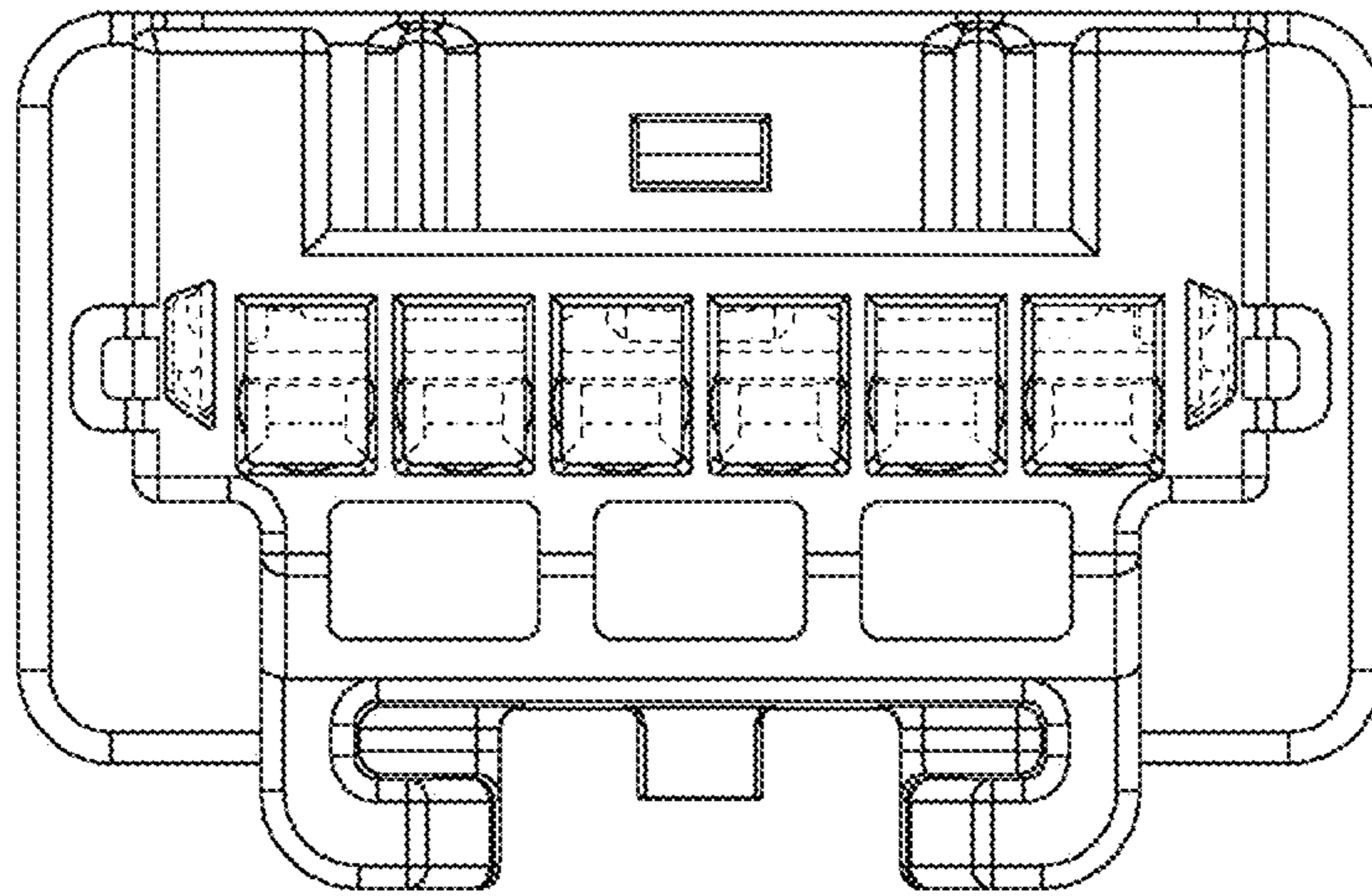


FIG. 16

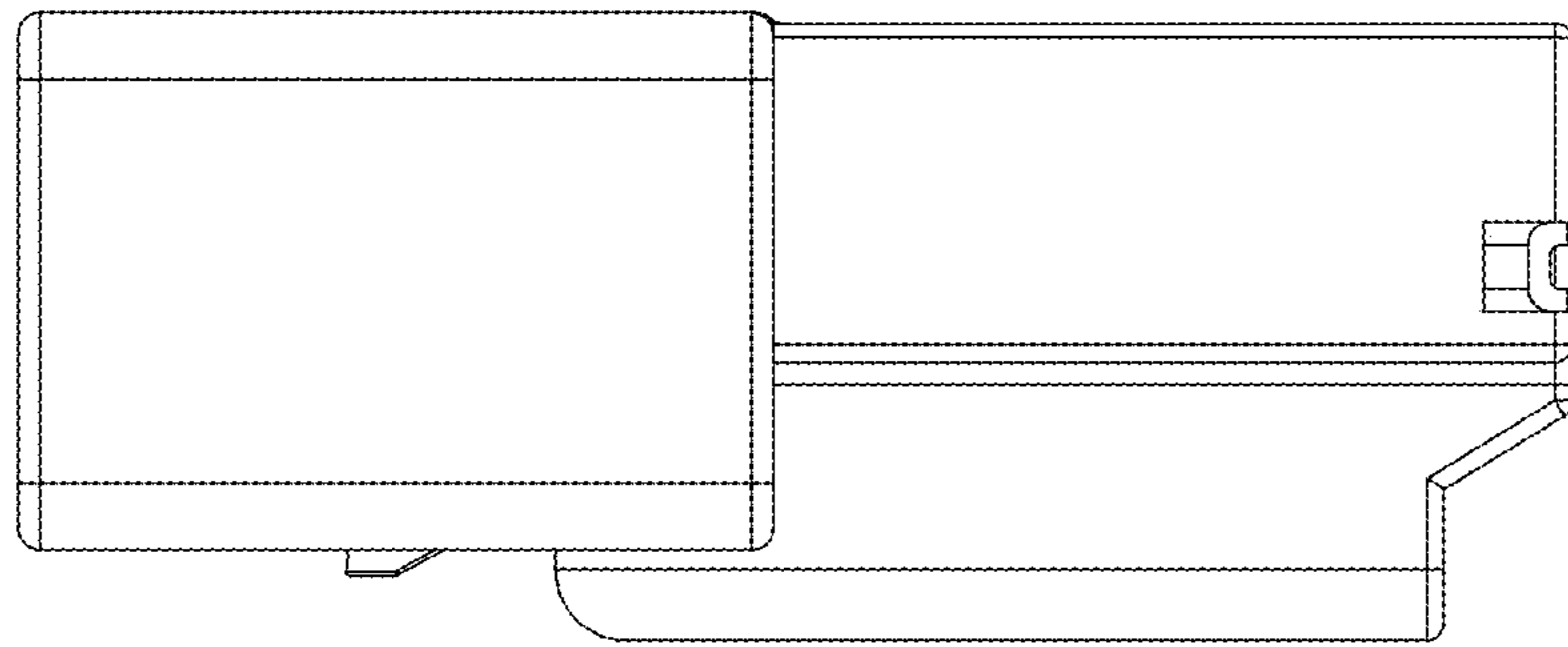


FIG. 17

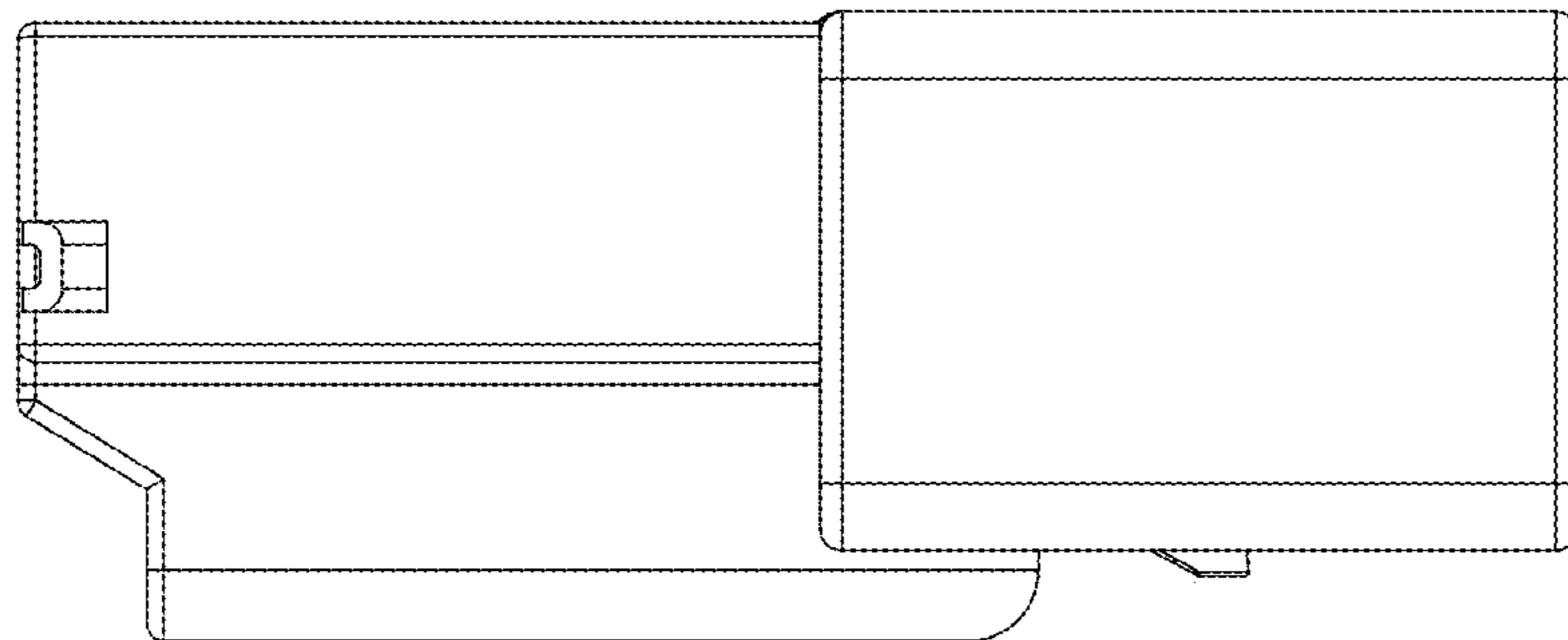


FIG. 18

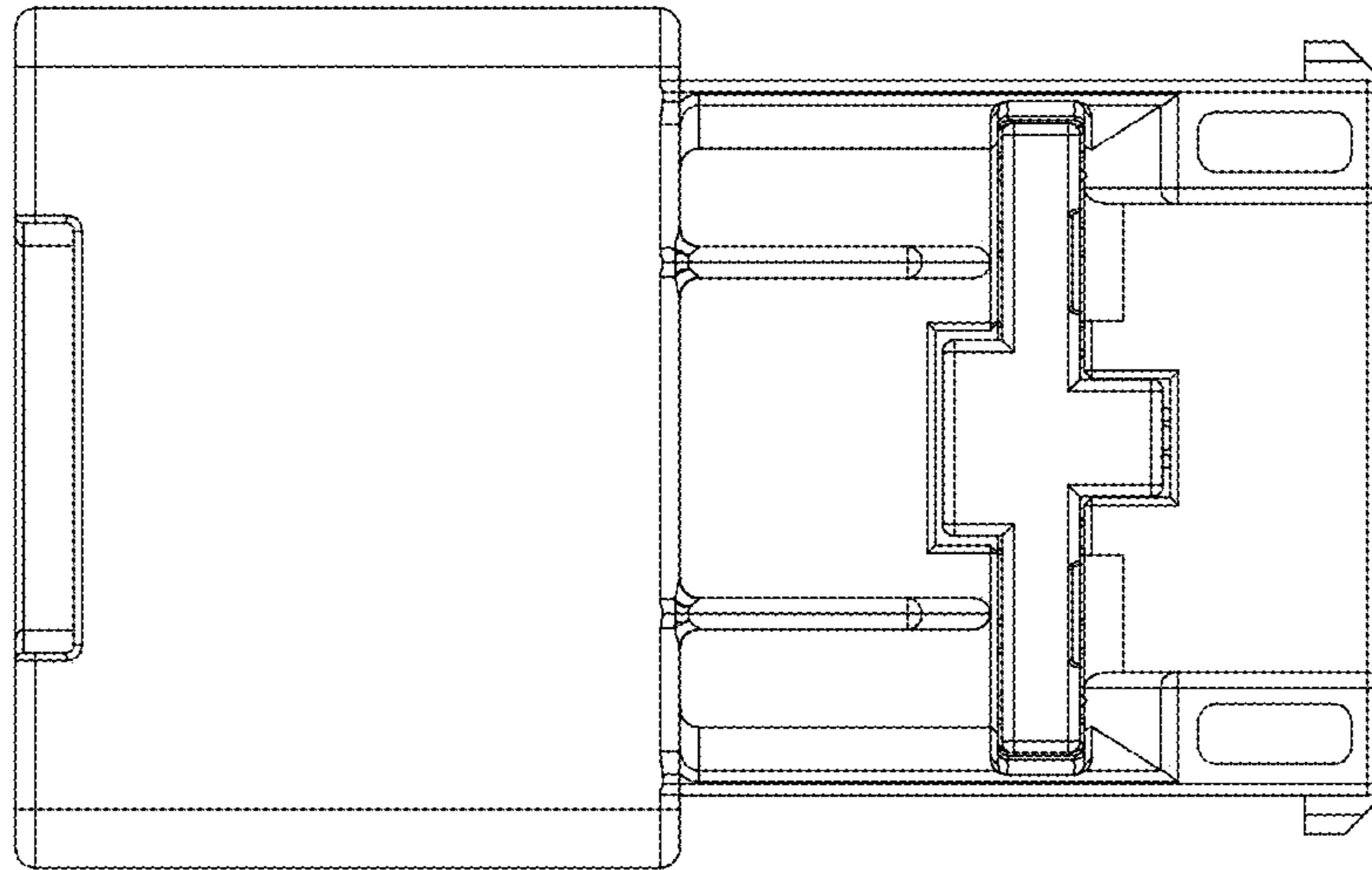


FIG. 19

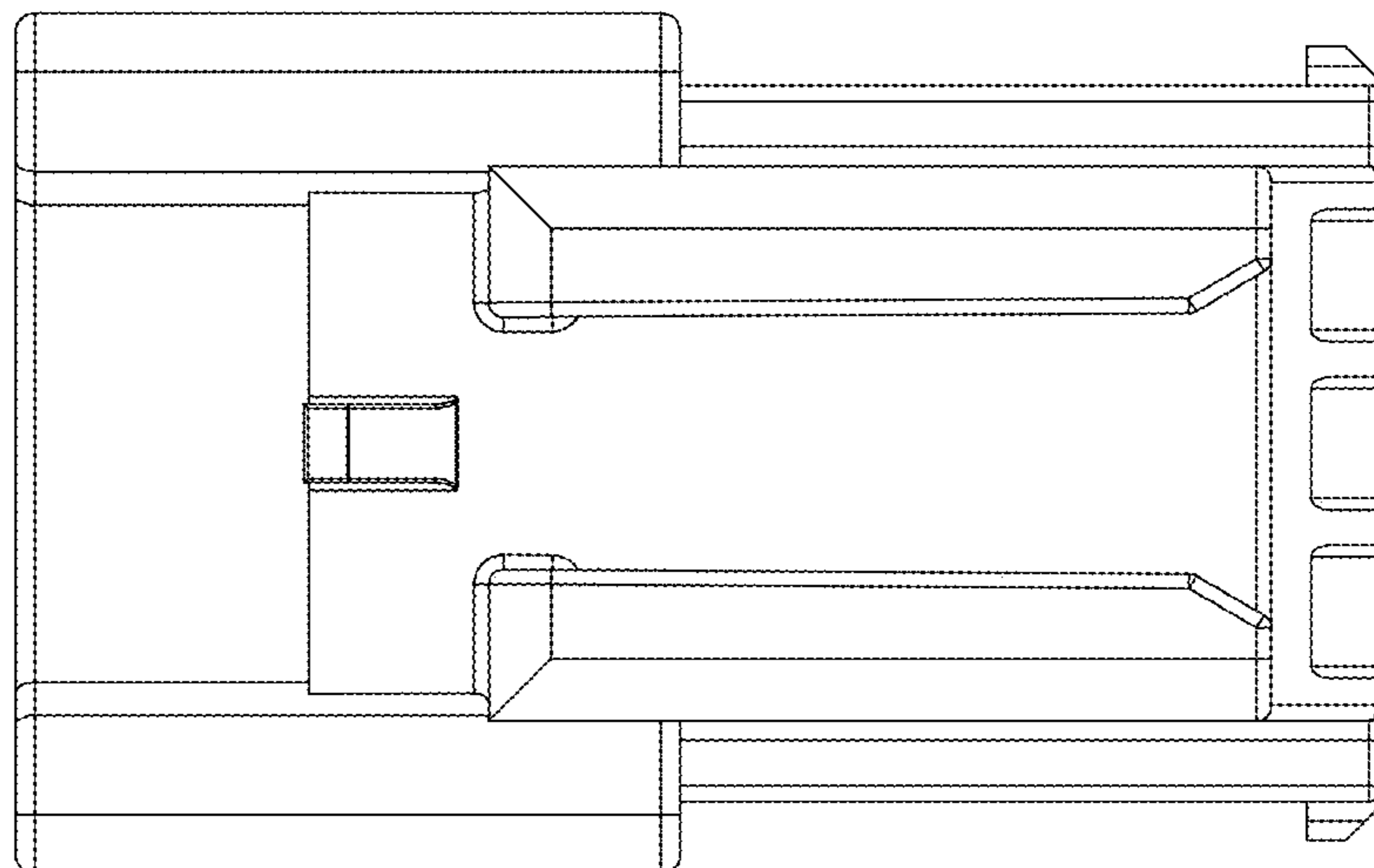
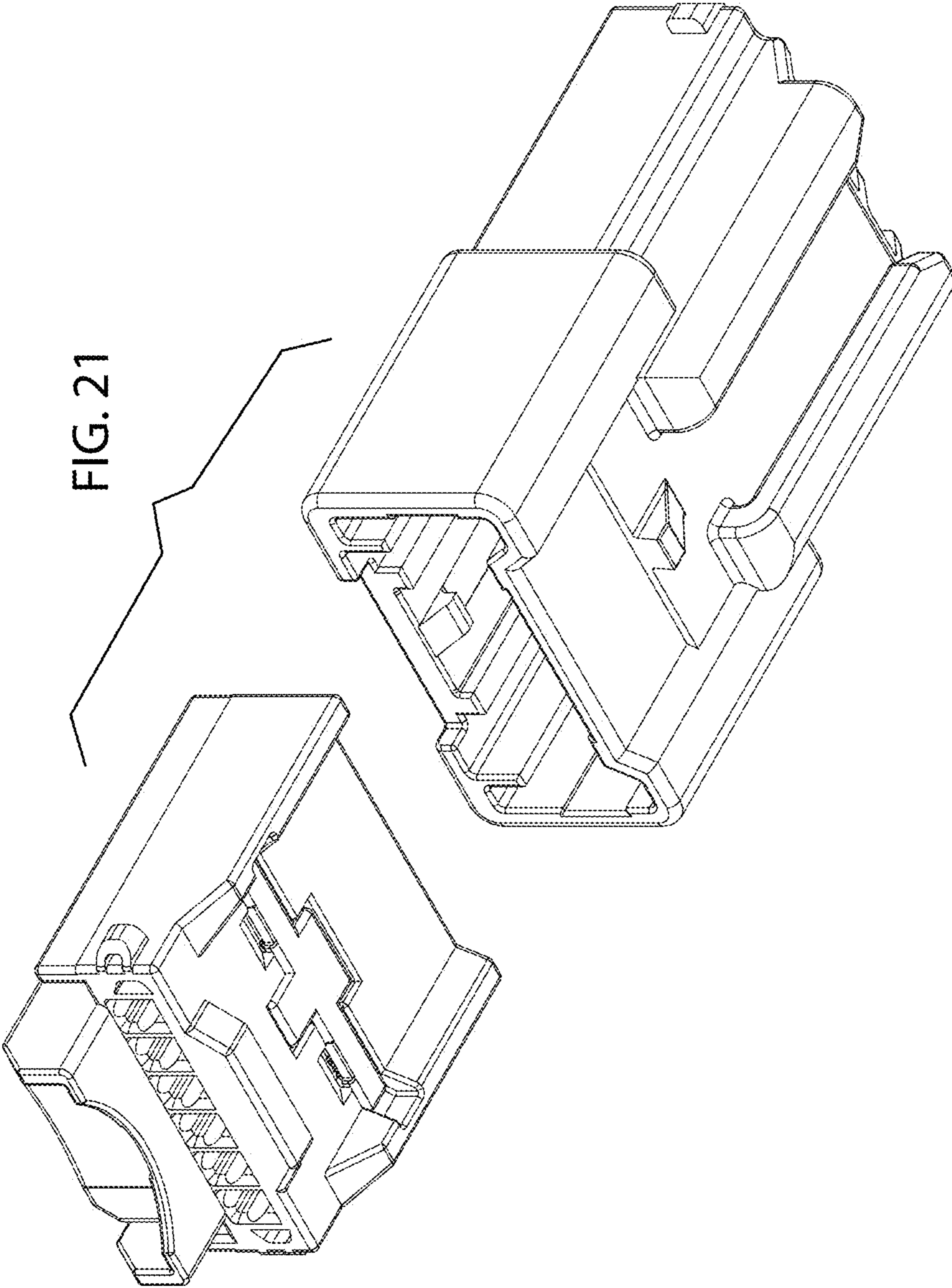


FIG. 20

FIG. 21



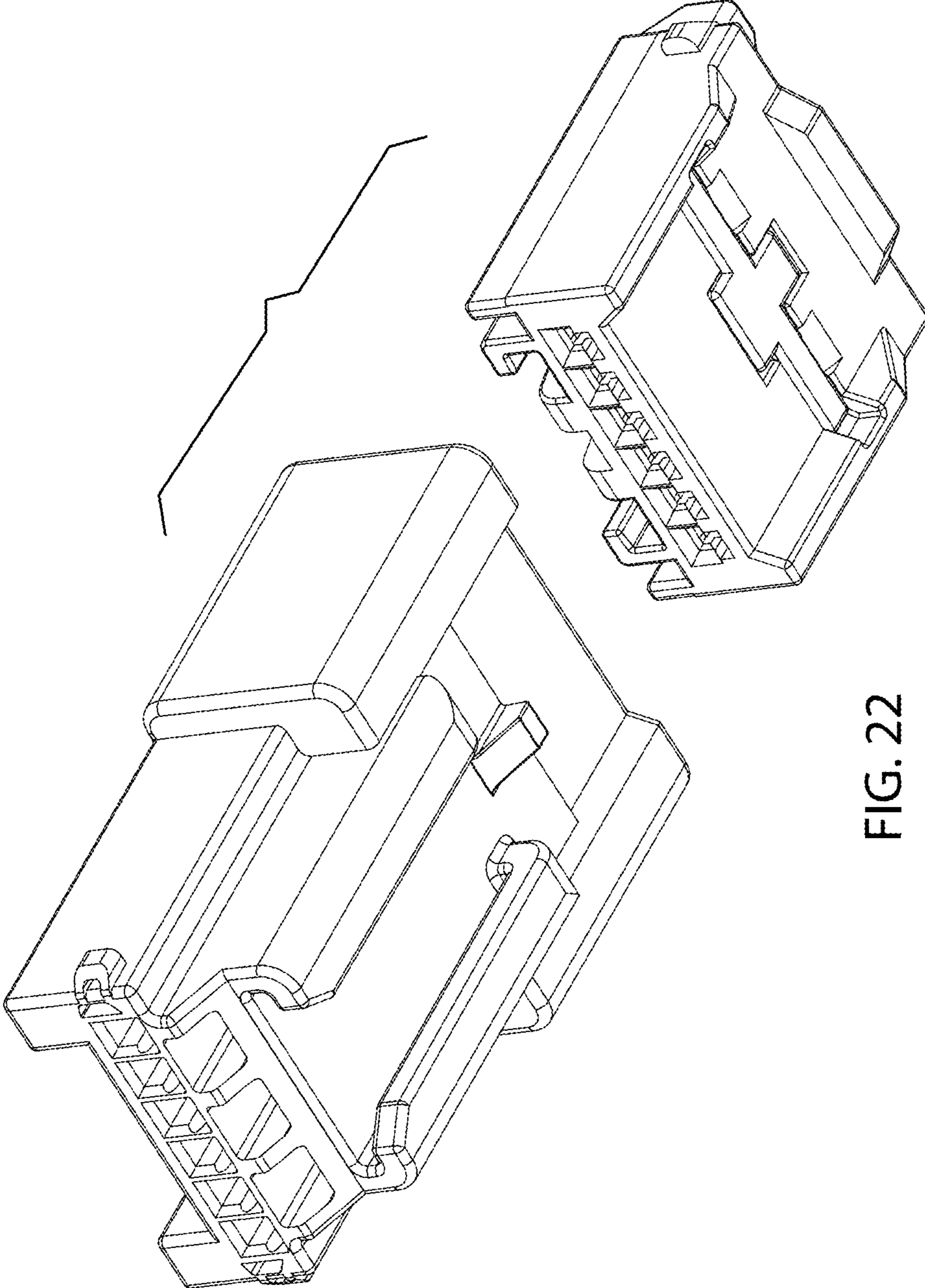


FIG. 22

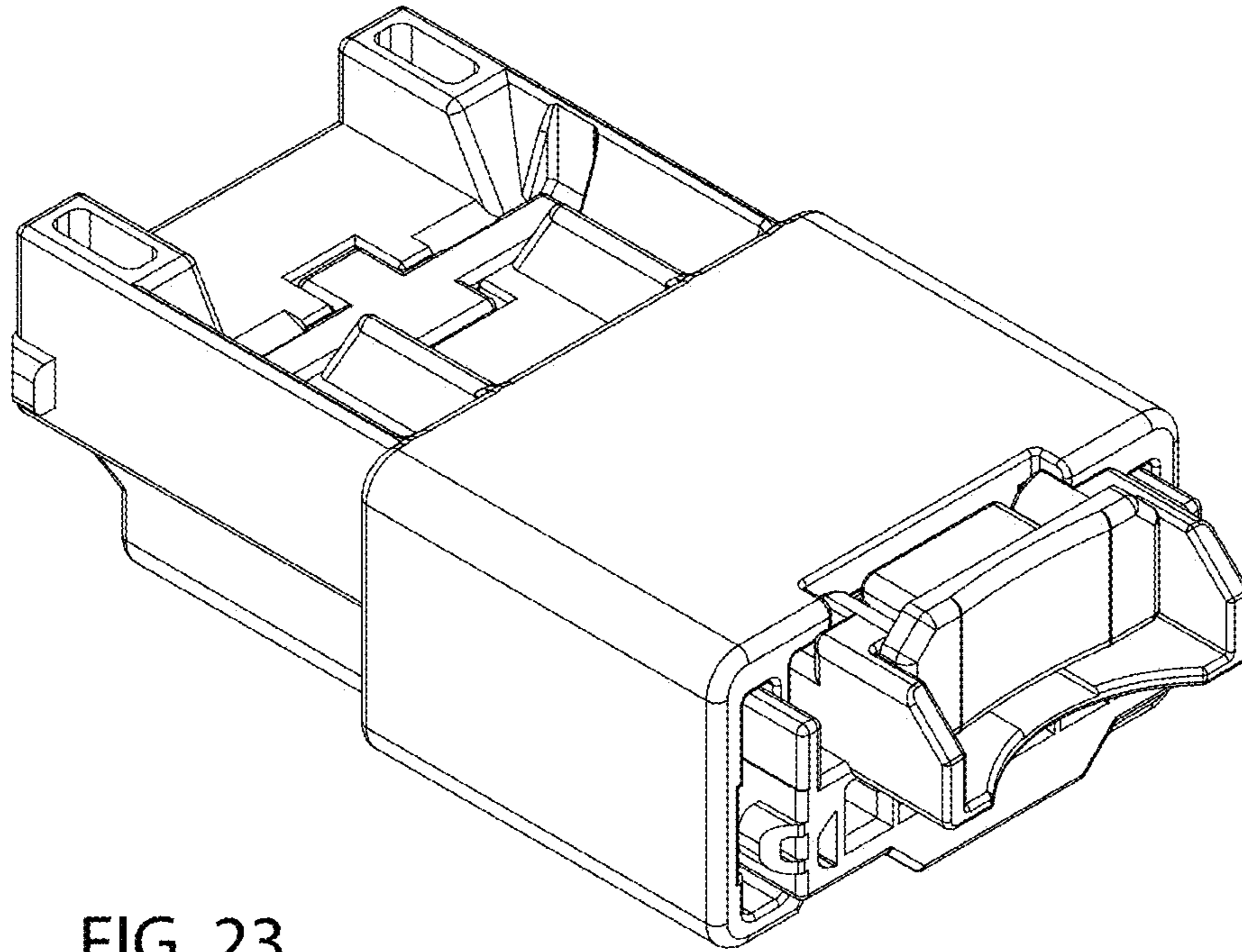


FIG. 23

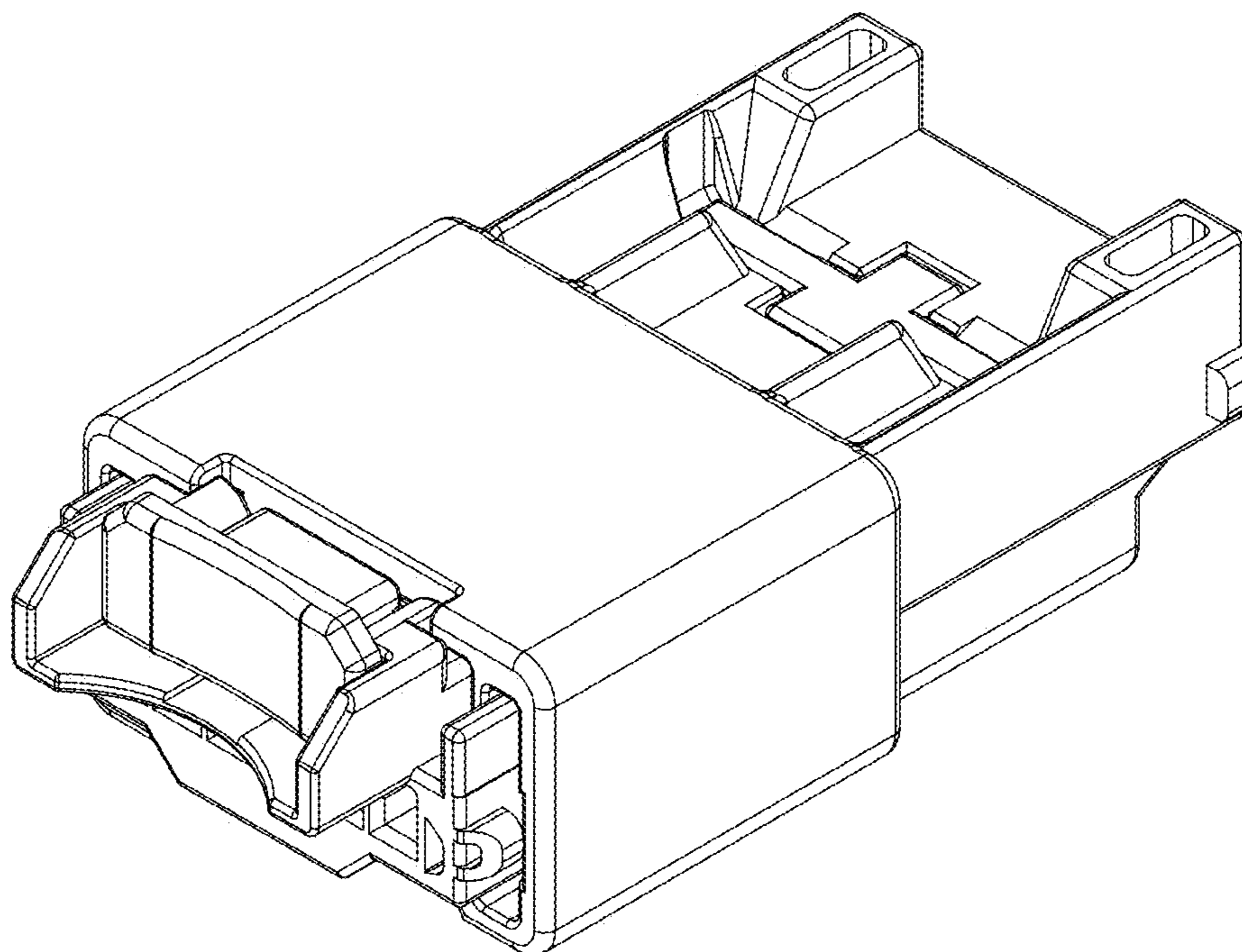


FIG. 24

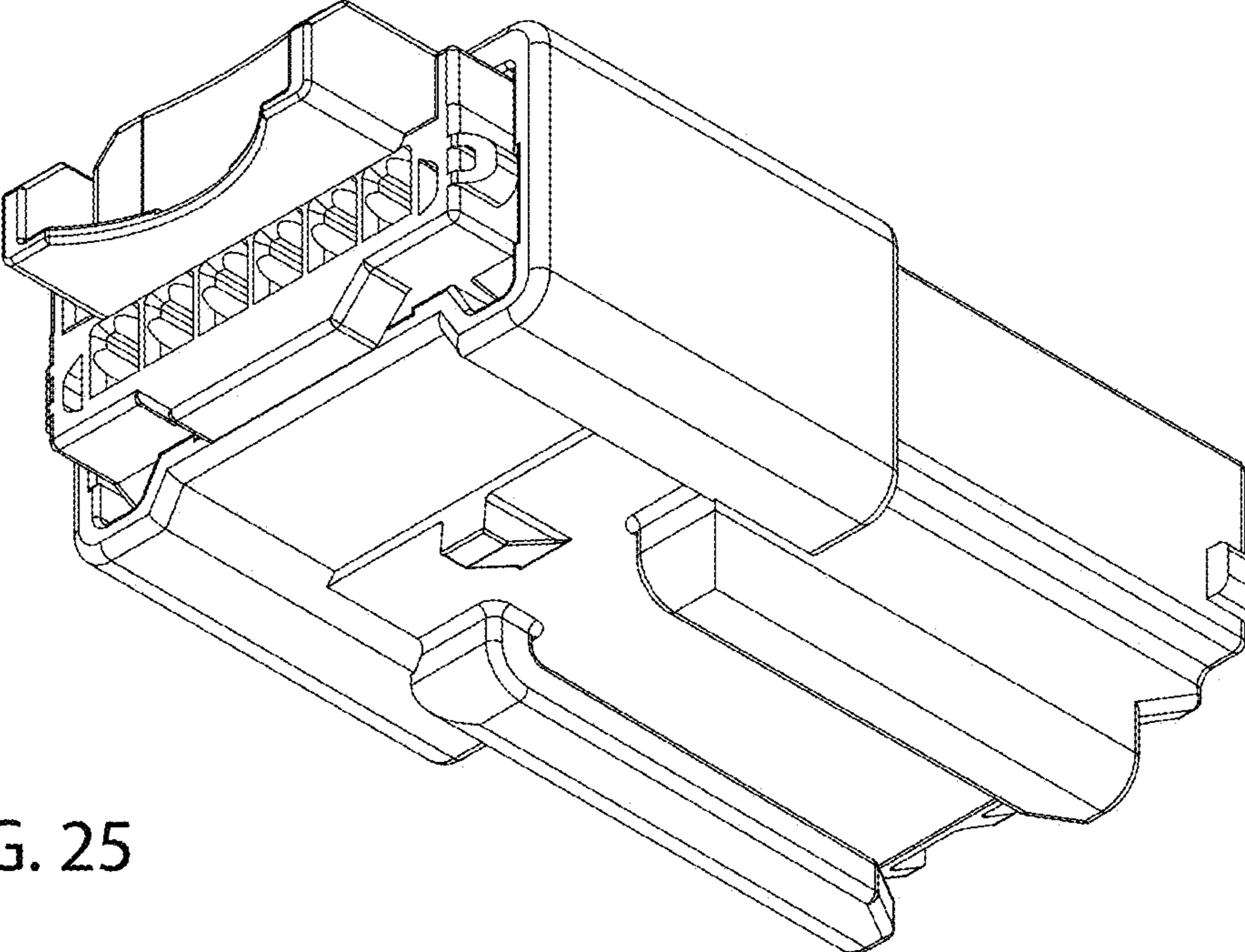


FIG. 25

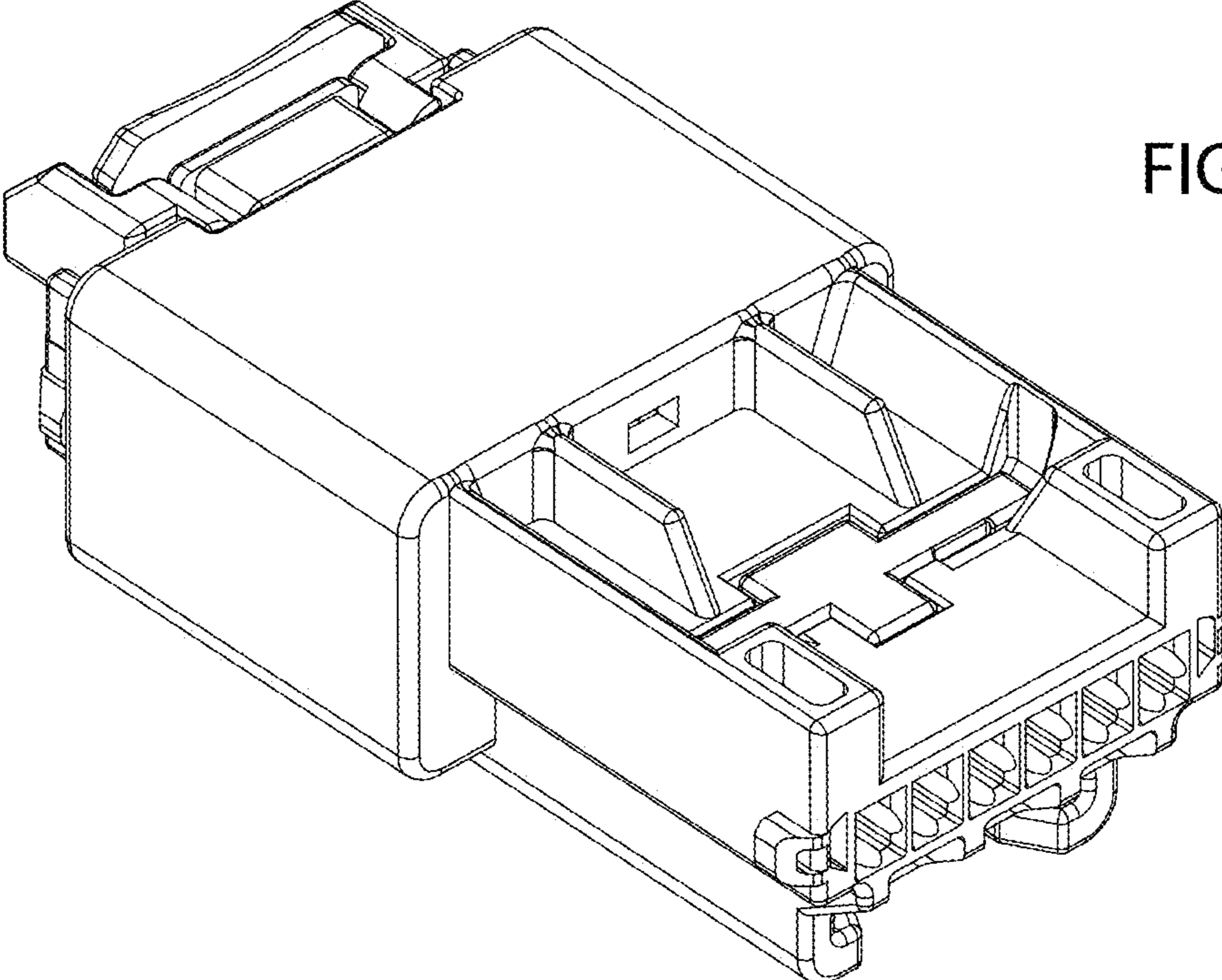


FIG. 26