



US00D877702S

(12) **United States Design Patent**  
**Joniak et al.**

(10) **Patent No.:** **US D877,702 S**

(45) **Date of Patent:** **\*\* Mar. 10, 2020**

(54) **SOCKET CONNECTOR**

(71) Applicant: **Molex, LLC**, Lisle, IL (US)

(72) Inventors: **Jeffrey Alan Joniak**, Homer Glen, IL (US); **Chiuming Lu**, Lisle, IL (US)

(73) Assignee: **Molex, LLC**, Lisle, IL (US)

(\*\*) Term: **15 Years**

(21) Appl. No.: **29/655,188**

(22) Filed: **Jun. 29, 2018**

(51) **LOC (12) Cl.** ..... **13-03**

(52) **U.S. Cl.**  
USPC ..... **D13/146**

(58) **Field of Classification Search**  
USPC ..... D13/118, 123, 133–135, 146, 147, 151,  
D13/154, 173, 178, 182, 184, 199;  
D26/1, 2, 23, 26, 113; 439/843  
CPC ..... F21V 15/00; F21V 29/00; G02B 6/38;  
G02B 6/40; H01B 17/30; H01R 13/00;  
H01R 13/28; H01R 13/436; H01R  
13/622; H01R 13/627; H01R 24/38;  
H01R 12/70; H01R 12/88; H01R 12/91;  
H01R 13/11; H01R 13/18; H01R 13/187;  
H01R 13/631; H01R 13/05; H01R 25/16;  
H01R 25/02

See application file for complete search history.

(56) **References Cited**

**U.S. PATENT DOCUMENTS**

D55,253 S *	5/1920	Eaton	.....	D26/113
D181,356 S *	11/1957	Hertz	.....	D13/146
2,941,025 A *	6/1960	Wayman	.....	H01B 17/308 174/653
D432,088 S *	10/2000	Malak	.....	D13/154
7,806,737 B2	10/2010	Mark et al.		
D685,505 S *	7/2013	Yamamoto	.....	D26/2
D685,507 S *	7/2013	Sun	.....	D26/2
9,680,268 B1 *	6/2017	Finona	.....	H01R 24/38

10,454,196 B2 *	10/2019	Feng	.....	H01R 24/58
2013/0095689 A1 *	4/2013	Hayman	.....	H01R 13/00 439/359
2013/0286669 A1 *	10/2013	Moser	.....	F21V 19/001 362/382
2014/0227900 A1 *	8/2014	Zitsch	.....	H01R 13/62 439/359
2016/0230979 A1 *	8/2016	Kwon	.....	F21V 31/00
2017/0338606 A1 *	11/2017	Copper	.....	H01R 12/55
2019/0288466 A1 *	9/2019	Copper	.....	H01R 24/86

**FOREIGN PATENT DOCUMENTS**

WO	WO2018063928	*	4/2018
WO	WO2018093981	*	5/2018

\* cited by examiner

*Primary Examiner* — Angela J Lee

*Assistant Examiner* — Shawn T Gingrich

(74) *Attorney, Agent, or Firm* — Banner & Witcoff, Ltd.

(57) **CLAIM**

The ornamental design for a socket connector, as shown and described.

**DESCRIPTION**

FIG. 1 is a front perspective view of a socket connector showing our new design;

FIG. 2 is a front view thereof;

FIG. 3 is a rear view thereof;

FIG. 4 is a right side view thereof;

FIG. 5 is a left side view thereof;

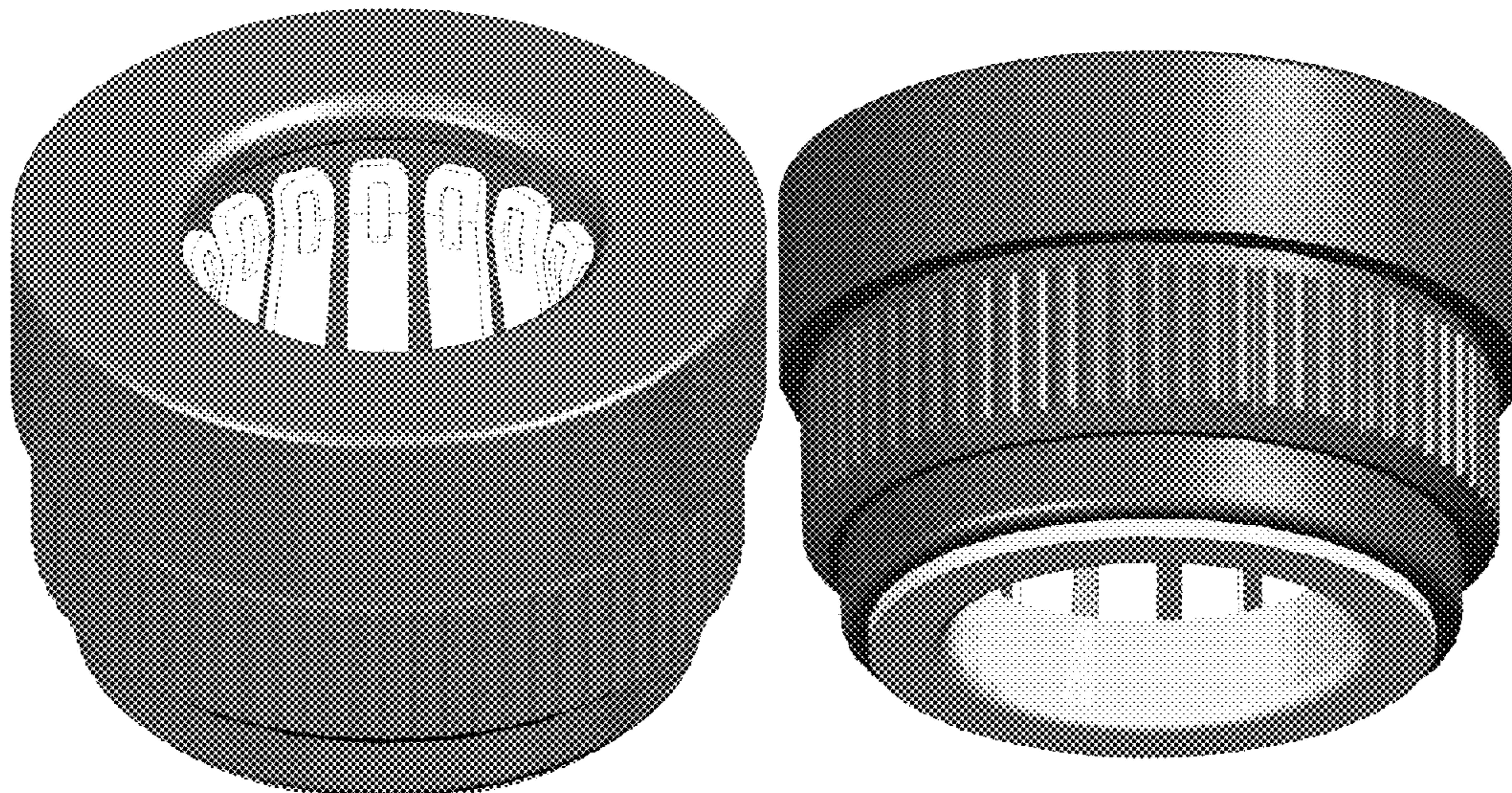
FIG. 6 is a top view thereof;

FIG. 7 is a bottom view thereof; and,

FIG. 8 is a bottom perspective view thereof.

The broken lines depicting the terminal contacts of the socket connector form no part of the claimed design. The grey-fill shading is used as an aid to represent surface contour and to distinguish the surfaces from one another; and no contrast in appearance is hereby claimed.

**1 Claim, 8 Drawing Sheets**



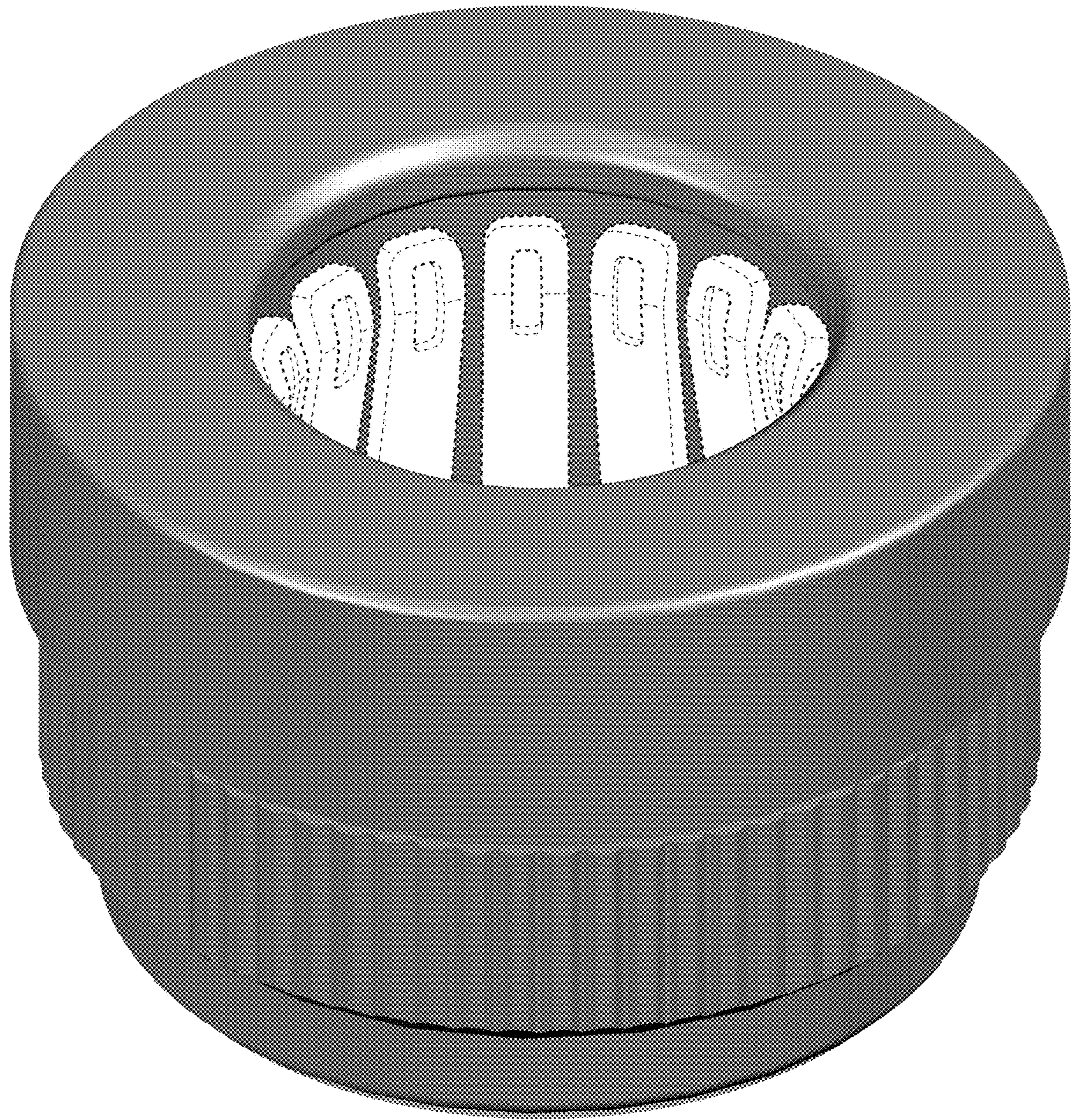


FIG. 1

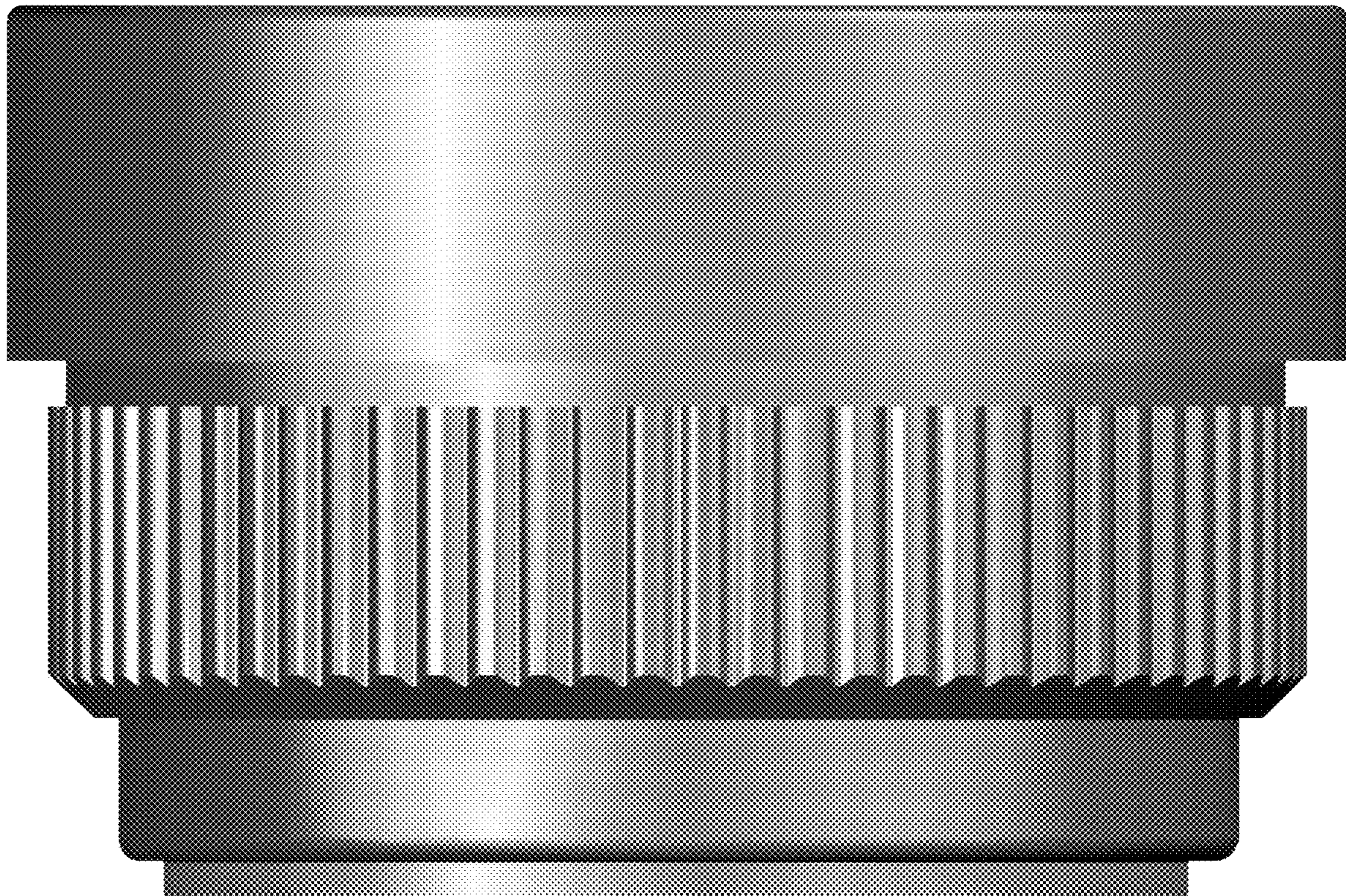


FIG. 2

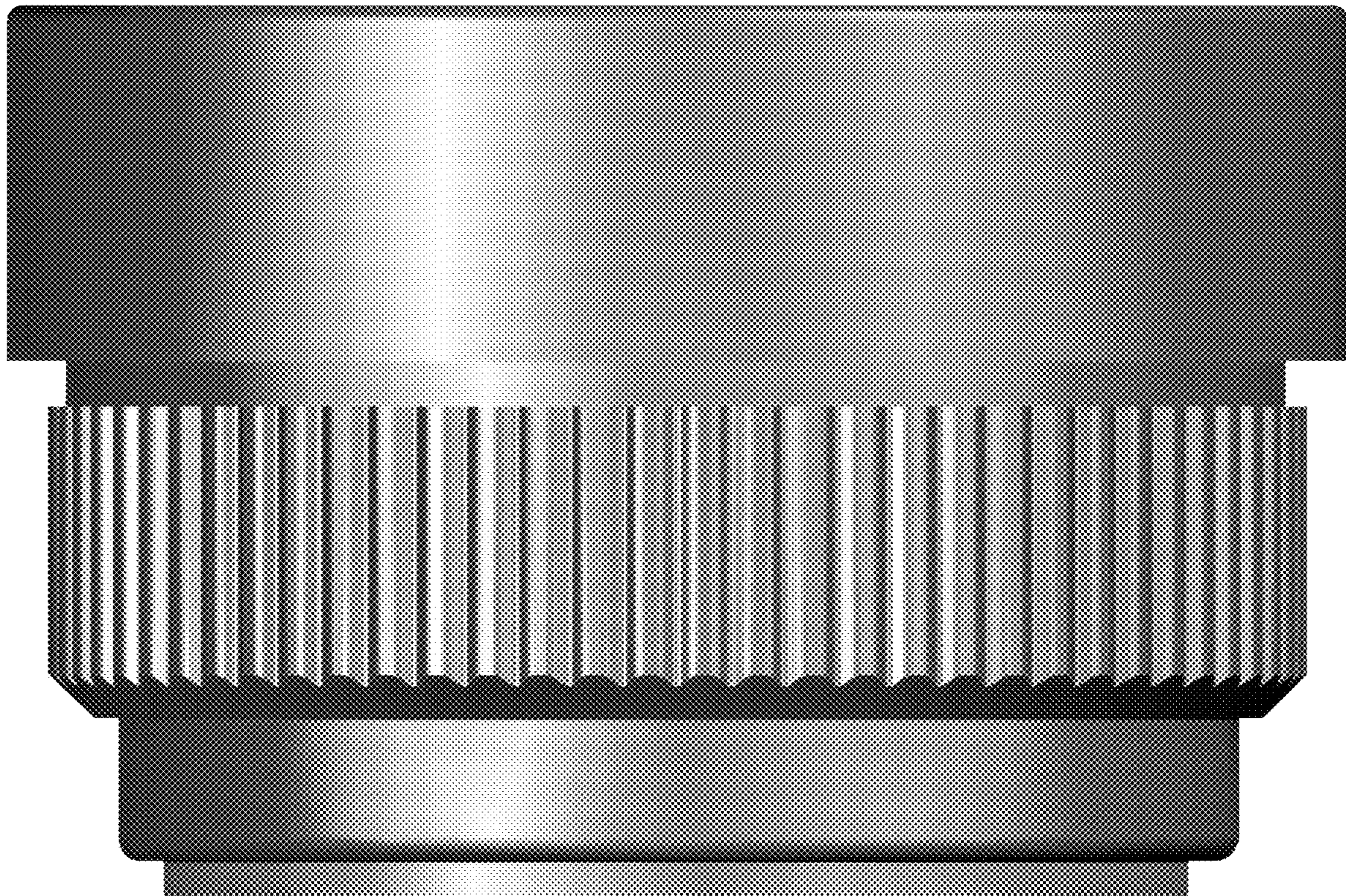


FIG. 3

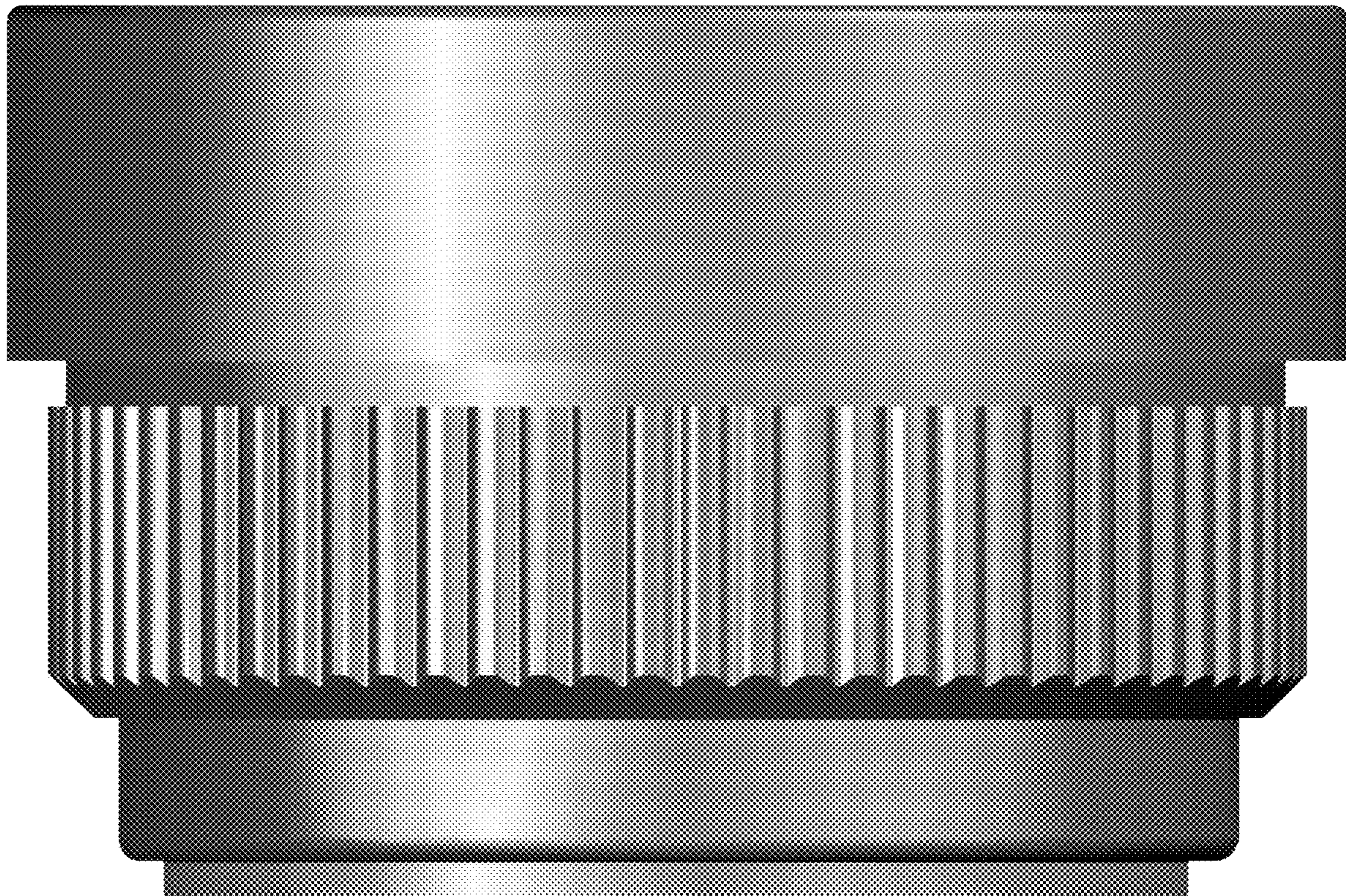


FIG. 4

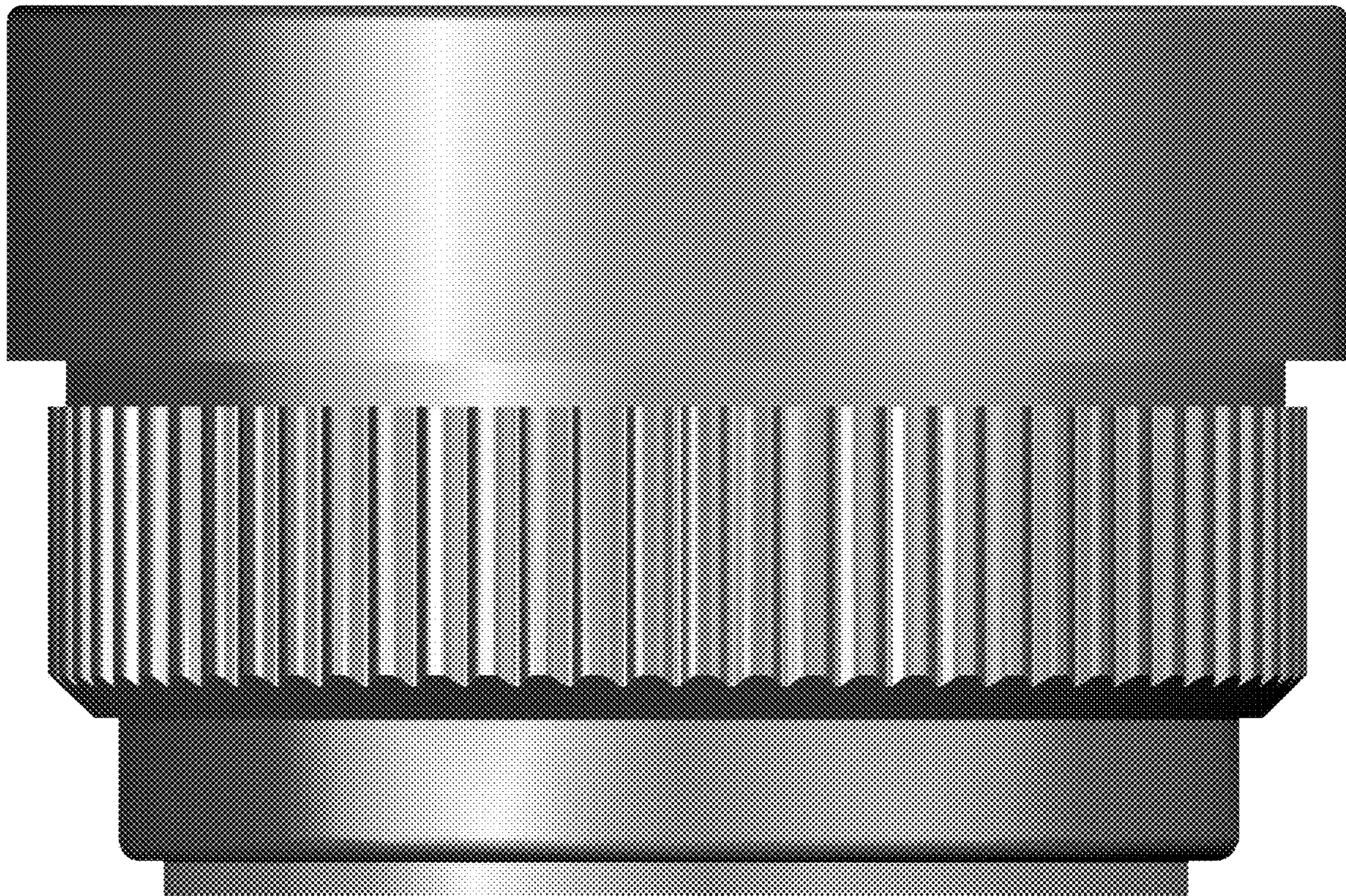


FIG. 5

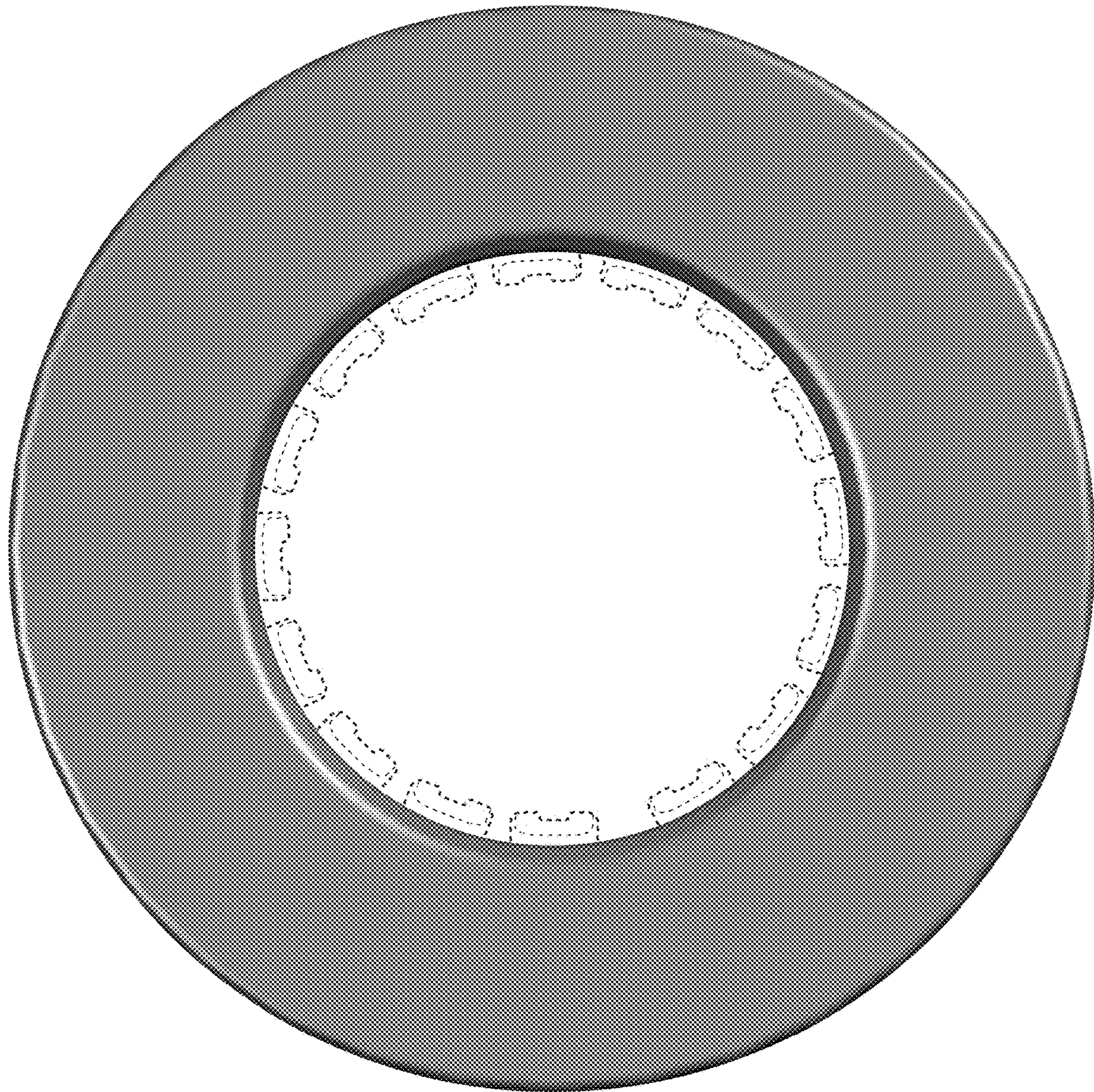


FIG. 6

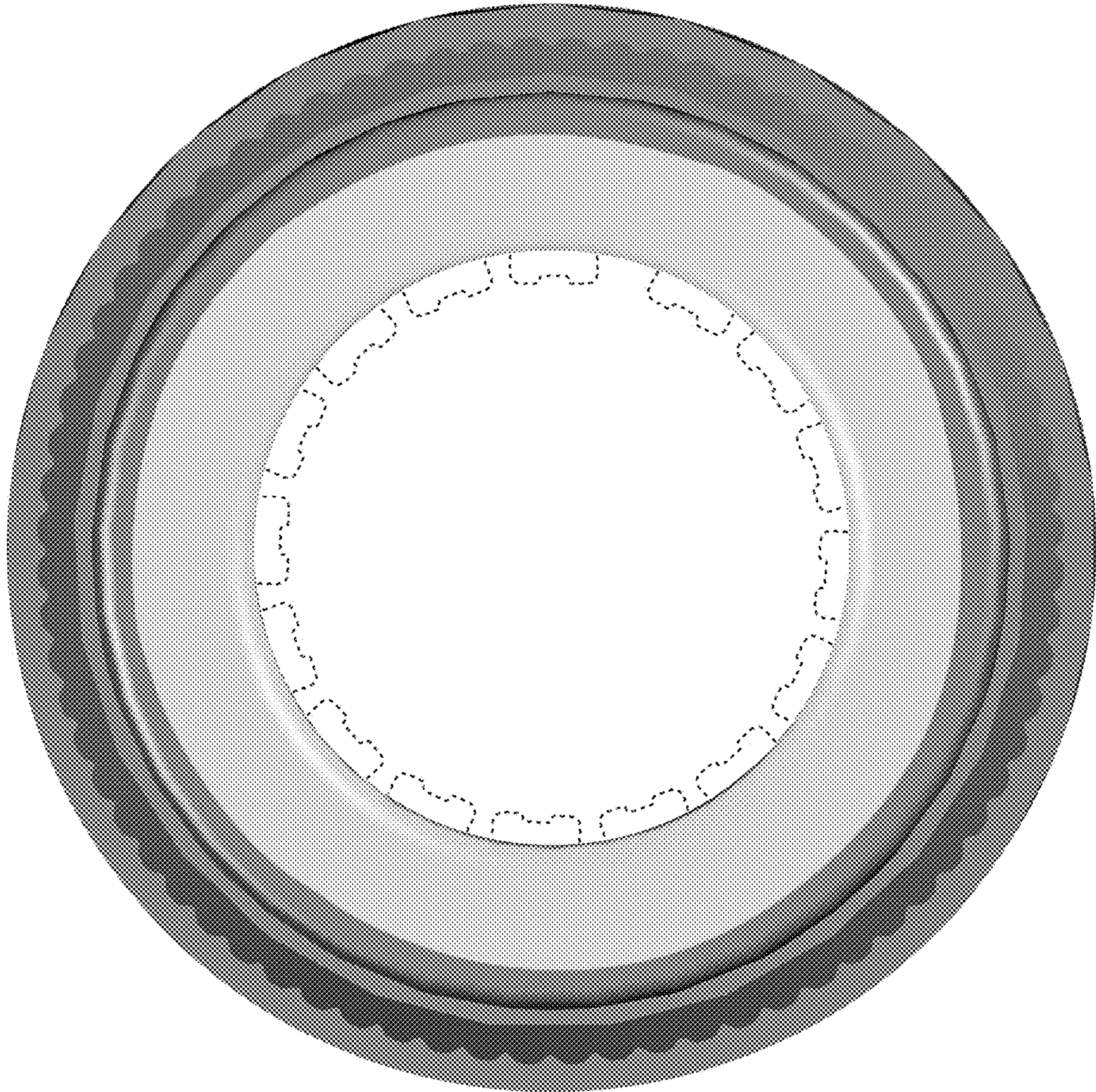


FIG. 7





FIG. 8