



US00D877691S

(12) **United States Design Patent**
Mistiuk

(10) **Patent No.:** **US D877,691 S**

(45) **Date of Patent:** **** Mar. 10, 2020**

- (54) **VEHICLE CENTER CONSOLE**
- (71) Applicant: **Rivian IP Holdings, LLC**, Plymouth, MI (US)
- (72) Inventor: **Roman Mistiuk**, Westland, MI (US)
- (73) Assignee: **Rivian IP Holdings, LLC**, Plymouth, MI (US)
- (**) Term: **15 Years**
- (21) Appl. No.: **29/670,004**
- (22) Filed: **Nov. 13, 2018**
- (51) **LOC (12) Cl.** **12-16**
- (52) **U.S. Cl.**
USPC **D12/415**
- (58) **Field of Classification Search**
USPC D12/415, 419
CPC B60R 13/02; C03C 3/085; B60N 3/10;
B60N 2/46
See application file for complete search history.

- D766,811 S * 9/2016 Shouno D12/419
- D781,210 S * 3/2017 Itou D12/419
- D781,211 S * 3/2017 Satou D12/419
- D788,020 S * 5/2017 Yaguchi D12/415
- D808,330 S * 1/2018 Kuwahara D12/419
- D824,838 S * 8/2018 Takamura D12/419
- D832,187 S * 10/2018 Buffery D12/419
- D836,060 S * 12/2018 Takagi D12/415
- D856,263 S * 8/2019 Ohtake D12/415

* cited by examiner

Primary Examiner — Katrina A Betton
(74) *Attorney, Agent, or Firm* — Haley Guiliano LLP

(57) **CLAIM**

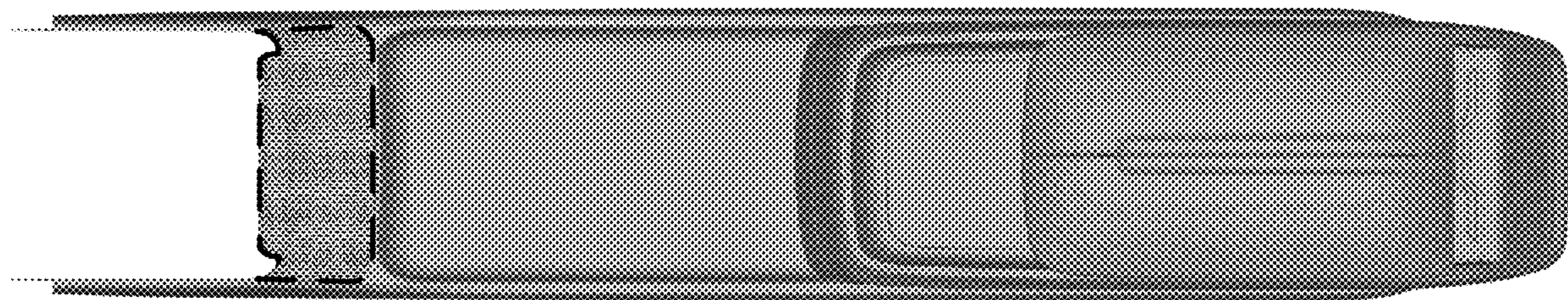
The ornamental design for a vehicle center console, as shown and described.

DESCRIPTION

FIG. 1 is a left-side view of a vehicle center console showing the claimed design (both the left-side and right-side views being mirror images);
 FIG. 2 is a top view of the vehicle center console;
 FIG. 3 is a rear view of the vehicle center console;
 FIG. 4 is a right-side perspective view of the vehicle center console; and,
 FIG. 5 is a left-side perspective view of the vehicle center console.
 The dashed broken line represents a boundary of the design; the dashed broken line itself and the area within form no part of the claimed design.

1 Claim, 5 Drawing Sheets

- (56) **References Cited**
U.S. PATENT DOCUMENTS
D725,583 S * 3/2015 Seki D12/419
D764,387 S * 8/2016 Tanaka D12/419
D765,017 S * 8/2016 Manzari D12/419



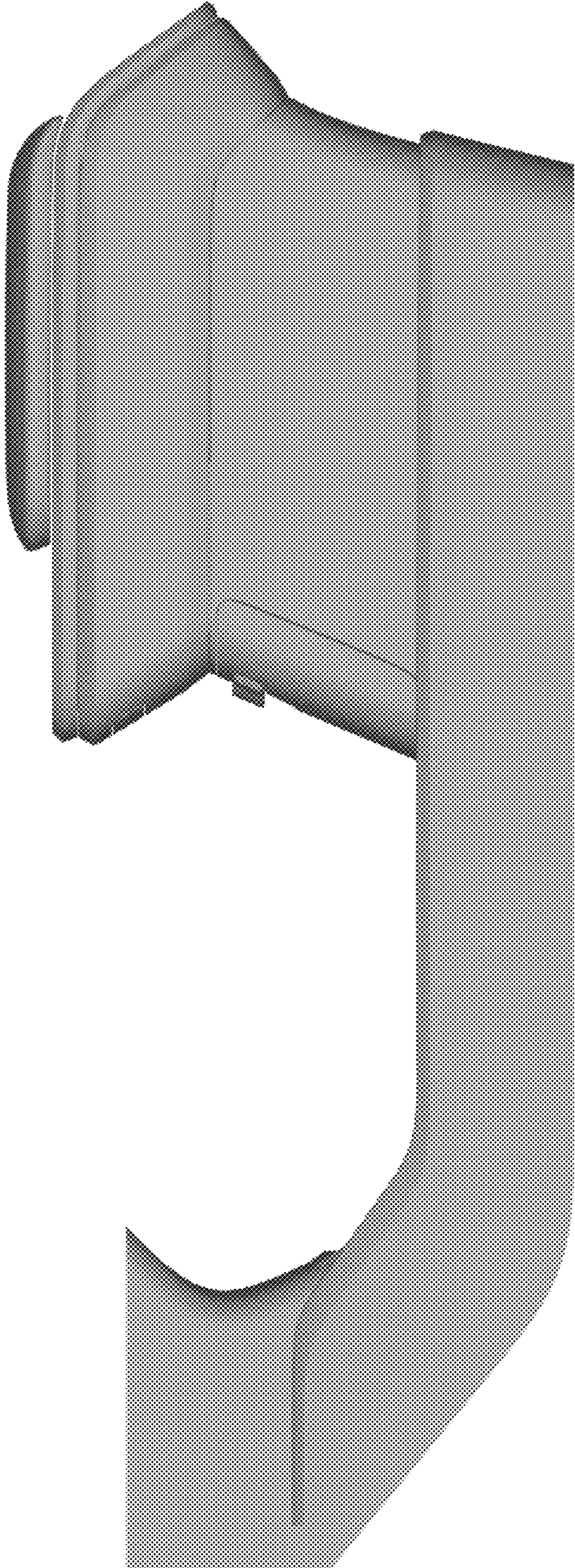


FIG. 1

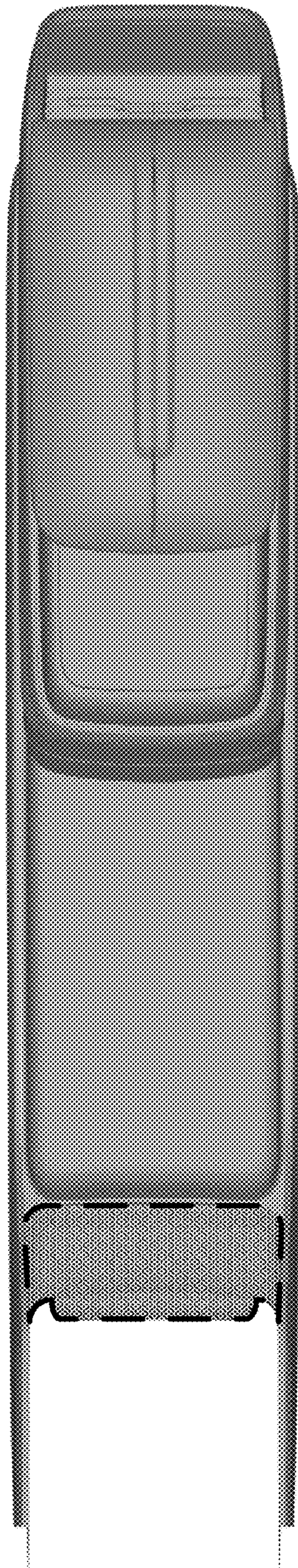


FIG. 2



FIG. 3



FIG. 4

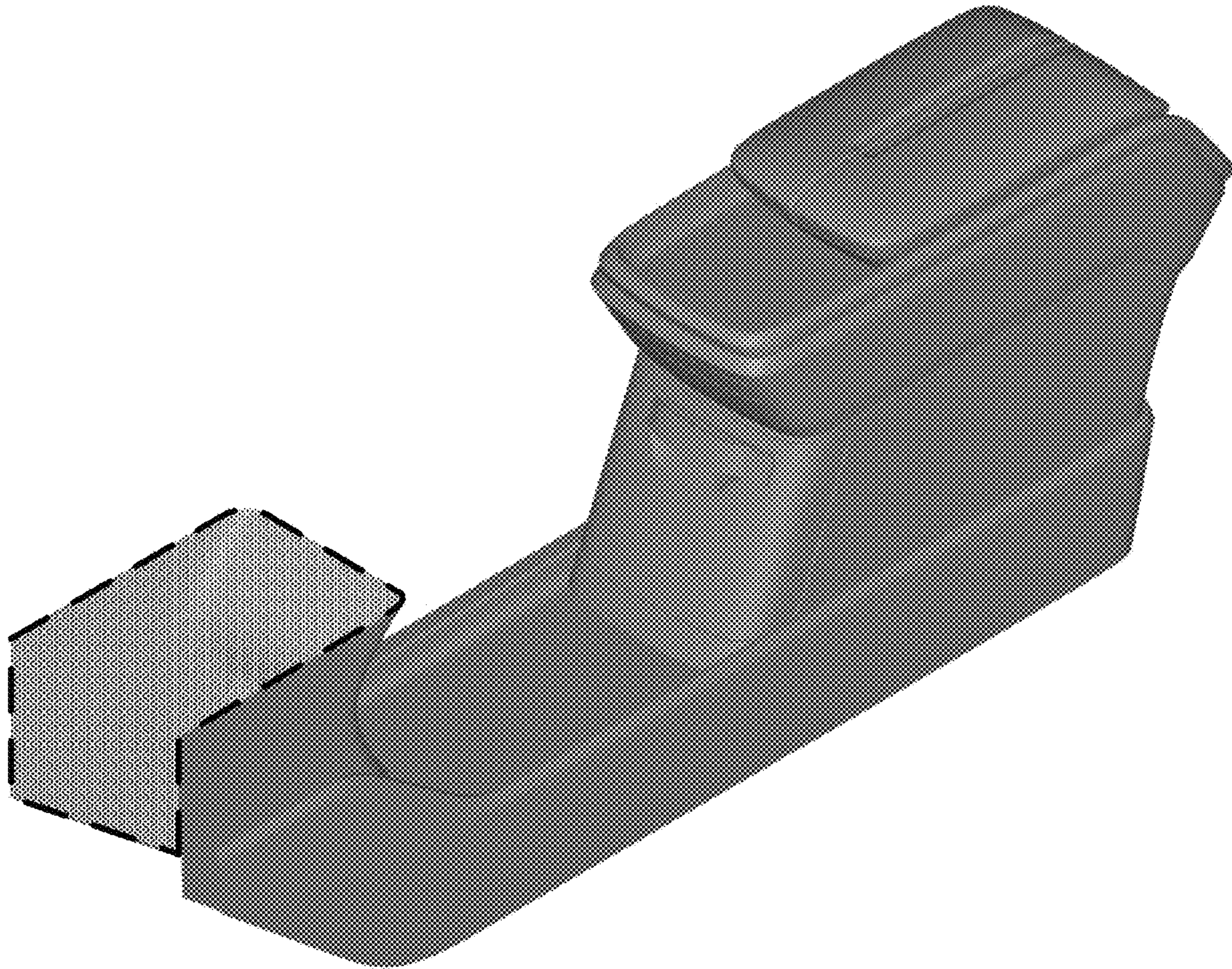


FIG. 5