



US00D877690S

(12) **United States Design Patent**
Bennett

(10) **Patent No.:** **US D877,690 S**

(45) **Date of Patent:** **** Mar. 10, 2020**

(54) **DASH MOUNT**

(71) Applicant: **OMIX-ADA, INC.**, Ann Arbor, MI
(US)

(72) Inventor: **Patrick W. Bennett**, Gainsville, GA
(US)

(73) Assignee: **OMIX-ADA, INC.**, Ann Arbor, MI
(US)

(**) Term: **15 Years**

(21) Appl. No.: **29/667,434**

(22) Filed: **Oct. 22, 2018**

(51) **LOC (12) Cl.** **12-16**

(52) **U.S. Cl.**
USPC **D12/415**

(58) **Field of Classification Search**
USPC D12/400, 415-420, 406; D13/107, 108,
D13/168; D14/149, 217, 218, 447, 432,
D14/434, 439, 440, 451, 452, 457, 239,
D14/253; D6/672, 682, 406.3, 406.4,
D6/406.5, 406.6; D8/363, 373, 380
CPC B63B 25/00; B63B 7/085; B63B 17/00;
B63B 35/00; B60R 16/04

See application file for complete search history.

(56) **References Cited**

U.S. PATENT DOCUMENTS

D445,975 S *	7/2001	Stratford	D13/108
D551,212 S *	9/2007	Andre	D14/217
D570,335 S *	6/2008	Andre	D14/217
D605,174 S *	12/2009	Andre	D14/217
D605,633 S *	12/2009	Andre	D14/217
D610,984 S *	3/2010	Khan	D13/108
D638,831 S *	5/2011	Paradise	D14/253
D639,810 S *	6/2011	Hwang	D13/107
D640,699 S *	6/2011	McParland	D13/107
D642,519 S *	8/2011	Woo	D13/108
D642,520 S *	8/2011	Chun	D13/108

D642,979 S *	8/2011	Chun	D13/108
D644,208 S *	8/2011	Akana	D14/217
D656,930 S *	4/2012	Son	D14/253
D669,460 S *	10/2012	Wikel	D14/253
D670,283 S *	11/2012	Wikel	D14/253
D678,889 S *	3/2013	Chiu	D14/453
D685,321 S *	7/2013	Smith	D13/108
D685,322 S *	7/2013	Szymanski	D13/108
D687,377 S *	8/2013	Huang	D13/108
D687,437 S *	8/2013	Hagenauer	D14/434

(Continued)

OTHER PUBLICATIONS

Dash Multi-Mount Charging Phone Kit; 18-20 JL/JT, Omix-Ada.com, [online], [site visited Oct. 24, 2019]. <URL: <https://www.omix-ada.com/dash-multi-mount-charging-phone-kit-18-20-jl-jt.html>> (Year: 2019).*

(Continued)

Primary Examiner — T Chase Nelson

Assistant Examiner — Jonathan J. Han

(74) *Attorney, Agent, or Firm* — The Dobrusin Law Firm, P.C.; Bryan S. Lemanski

(57) **CLAIM**

The ornamental design for a dash mount, as shown and described.

DESCRIPTION

FIG. 1 is a perspective view of a dash mount showing my new design.

FIG. 2 is a top plan view of FIG. 1.

FIG. 3 is a left side elevational view of FIG. 1.

FIG. 4 is a front elevational view of FIG. 1.

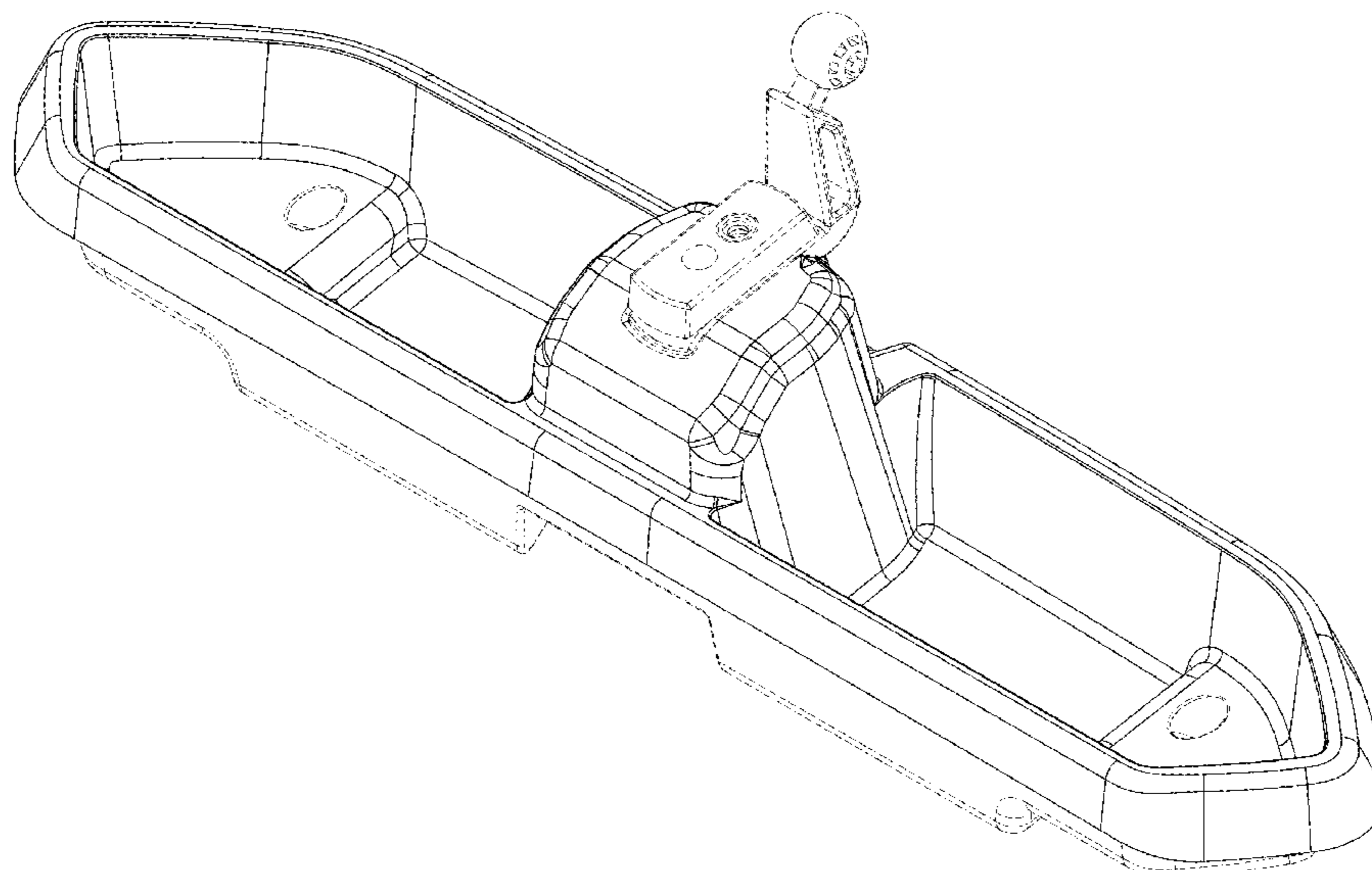
FIG. 5 is a right side elevational view of FIG. 1.

FIG. 6 is a back elevational view of FIG. 1; and,

FIG. 7 is a bottom plan view of FIG. 1.

The broken lines in the drawings show portions of the dash mount that form no part of the claimed design.

1 Claim, 4 Drawing Sheets



(56)

References Cited

U.S. PATENT DOCUMENTS

D743,411	S	*	11/2015	Zenri	D14/447
D746,239	S	*	12/2015	Higgins	D13/168
D765,016	S	*	8/2016	Azadi	D12/415
D772,216	S	*	11/2016	Lau	D13/108
D807,894	S	*	1/2018	Harris	D14/448
D859,394	S	*	9/2019	Skogrand-Khatib	D14/253
2015/0122858	A1	*	5/2015	Azadi	B60R 11/04 224/483

OTHER PUBLICATIONS

IPOW Anti-Slip Silicone Car Phone Dashboard Pad Mat, Amazon.com, [online], [site visited Oct. 24, 2019]. <URL: https://www.amazon.com/IPOW-Anti-Slip-Dashboard-Hands-free-Compatible/dp/B01GC17BCI/ref=asc_df_B01GC17BCI/?tag=hyprod-20&linkCode=df0&hvadid=198094100392&hvpos=1o5&hvnetw> (Year: 2019).*

Car Phone Holder Car Phone Mount, Amazon.com, [online], [site visited Oct. 24, 2019]. <URL: <https://www.amazon.com/dp/>

B07SVZW34Z/ref=sspa_dk_detail_1psc=1&spLa=ZW5jcnIwdGVkUXVhbGImaWVyPUFMUVpWSFRHVkpJMV> (Year: 2019).*

Dash Multi-Mount Phone Kit; 11-18 Jeep Wrangler JK, RuggedRidge.com, [online], [site visited Oct. 24, 2019]. <URL: <https://ruggedridge.com/dash-multi-mount-phone-kit-13551-16.html>> (Year: 2019).*

Miller, Byron (2018), "Rugged Ridge Dash Multi-Mount Review & Install Guide", RockChuckSummit.com., last accessed Dec. 12, 2018.

"Rugged Ridge Dash Multi-Mount System and Phone Kit (11-18 Jeep Wrangler JK)", ExtremeTerrain.com., last accessed Dec. 12, 2018.

"Daystar KJ71037 Upper Dash Panel in Black for 97-06 Jeep Wrangler TJ & Unlimited", Quadratec.com, Quadratec, Inc., last accessed Dec. 12, 2018.

"Hands-Free Dash Multi-Mount With Phone Holder 1997-2006 Jeep Wrangler TJ/LJ", Oconeeoffroad.com, Oconee Off-Road, last accessed Dec. 12, 2018.

"Product Video: Dash Multi-Mount; 97-06 Jeep Wrangler TJ/LJ", Omixada, Published Apr. 7, 2016, <https://www.youtube.com/watch?v=ALPNsBOxiGw>, last accessed Dec. 14, 2018.

* cited by examiner

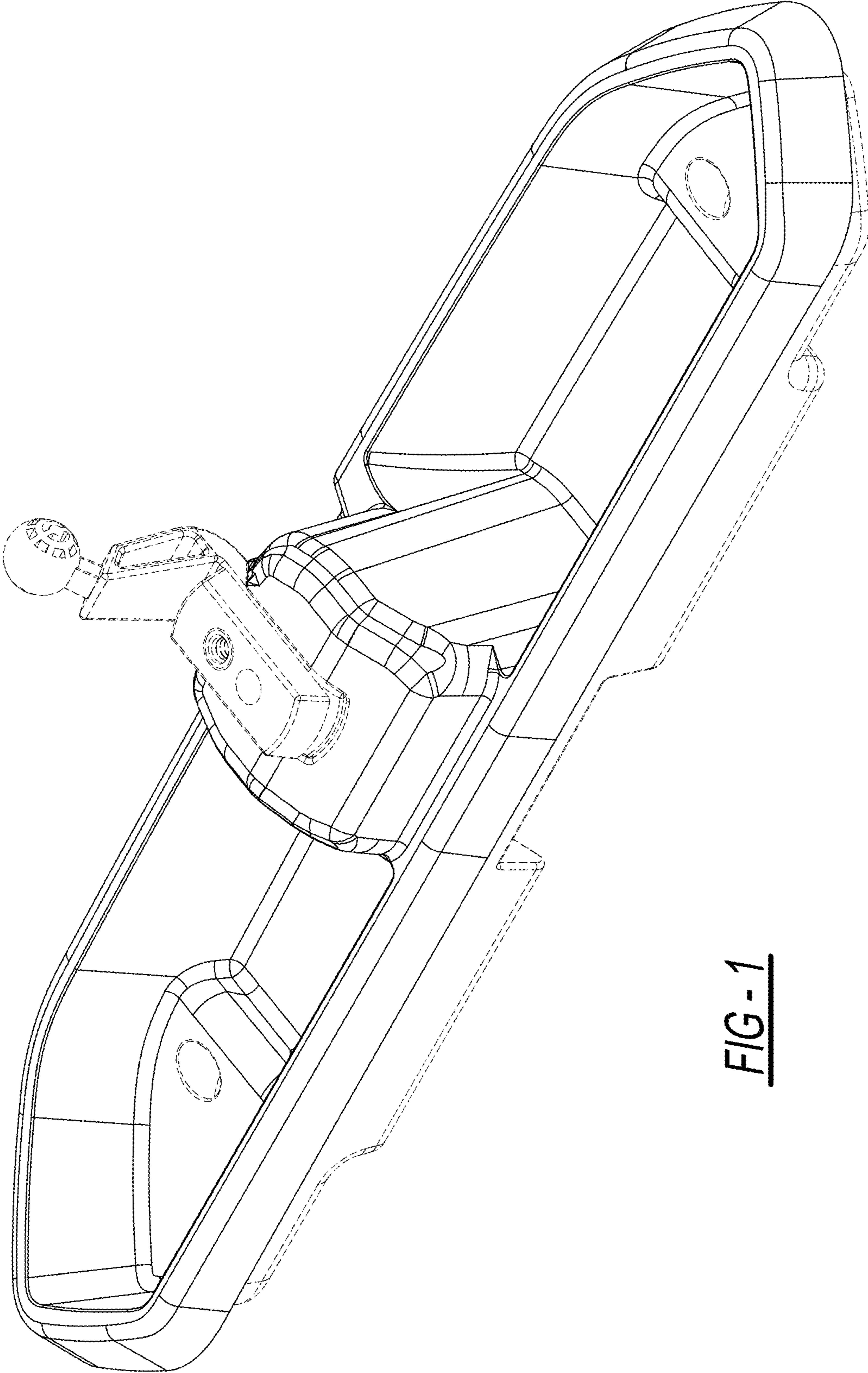


FIG - 1

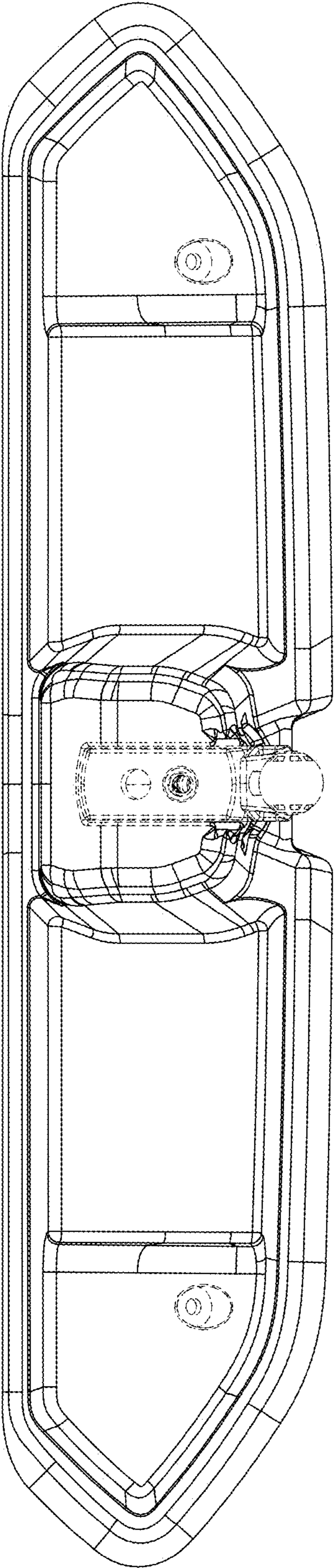


FIG - 2

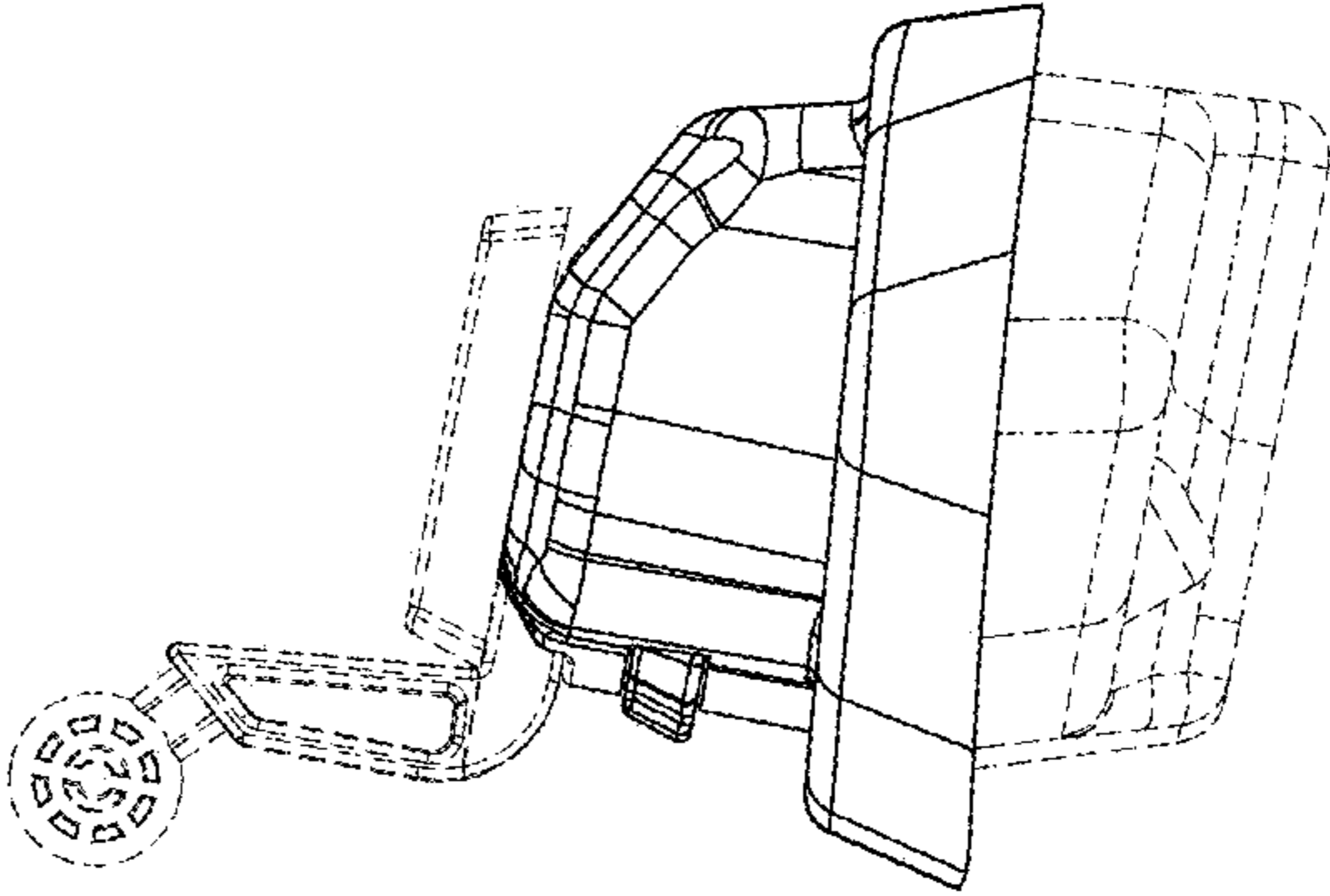


FIG - 3

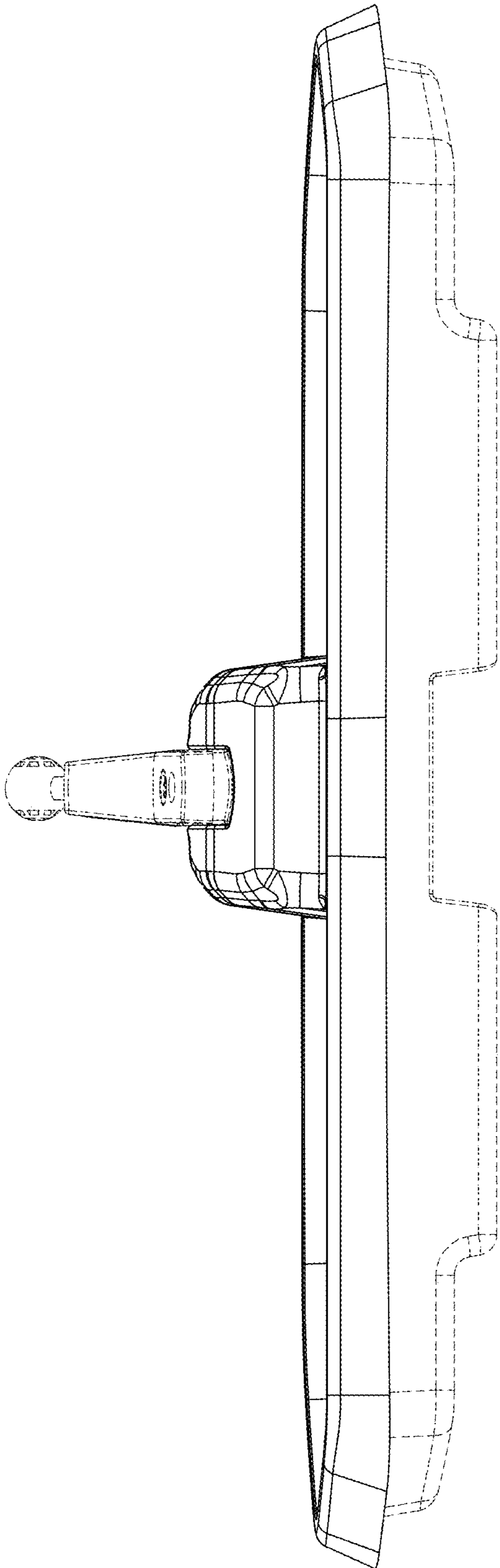


FIG - 4

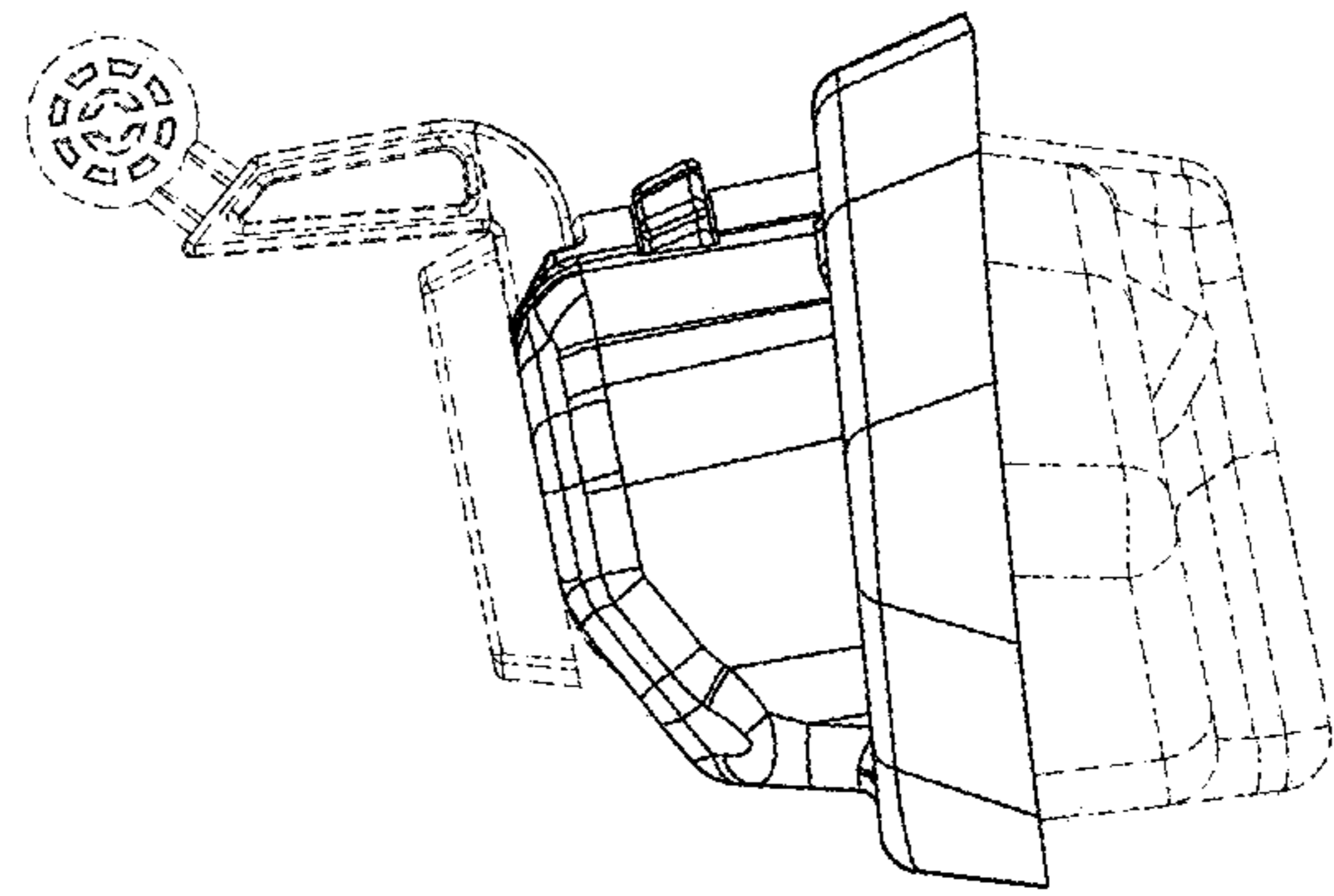


FIG - 5

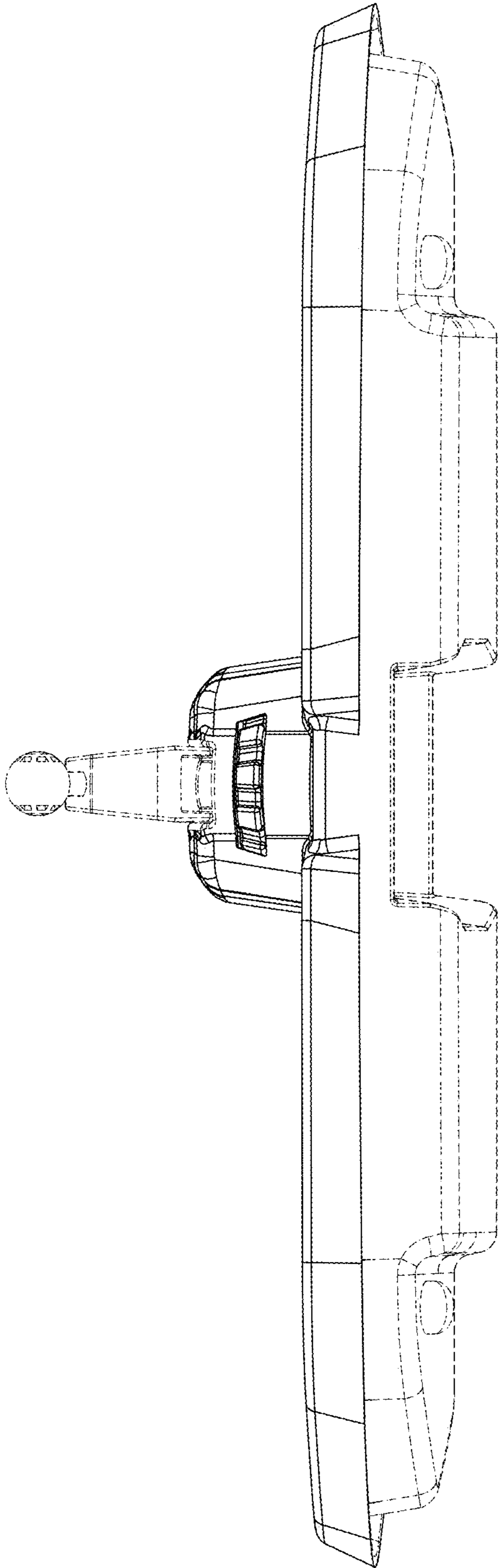


FIG-6

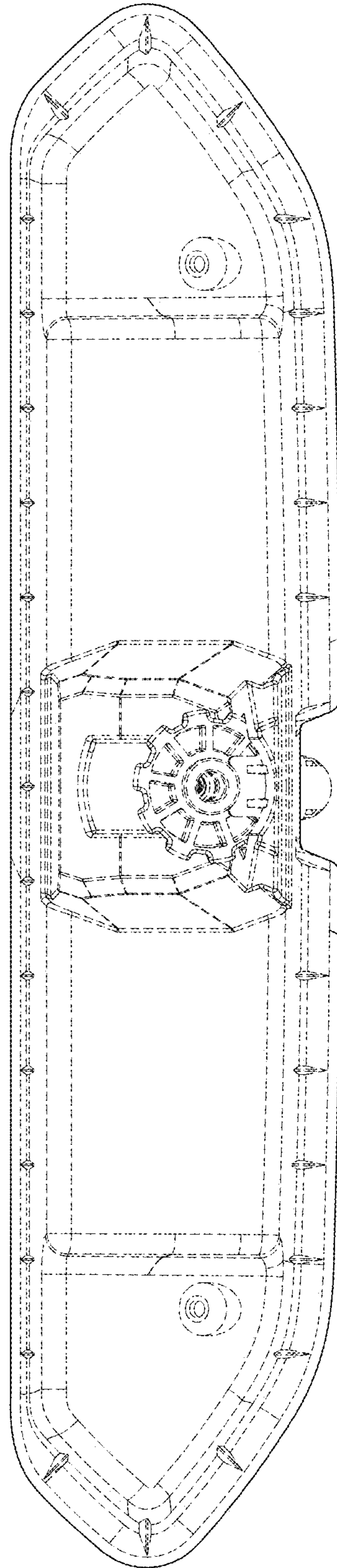


FIG-7