



US00D877689S

(12) **United States Design Patent**
Watola et al.

(10) **Patent No.:** **US D877,689 S**
(45) **Date of Patent:** **** Mar. 10, 2020**

(54) **CONTROL AND INDICATOR PANEL**

(71) Applicant: **VOLKSWAGEN**
AKTIENGESELLSCHAFT,
Wolfsburg (DE)

(72) Inventors: **Darius Watola,** Wolfsburg (DE);
Henning Thiele, Wolfsburg (DE)

(73) Assignee: **VOLKSWAGEN**
AKTIENGESELLSCHAFT,
Wolfsburg (DE)

(**) Term: **15 Years**

(21) Appl. No.: **29/663,111**

(22) Filed: **Sep. 12, 2018**

(30) **Foreign Application Priority Data**

Mar. 13, 2018 (DE) 40 2018 100 277

(51) **LOC (12) Cl.** **12-16**

(52) **U.S. Cl.**
USPC **D12/415**

(58) **Field of Classification Search**
USPC D14/157, 485, 489, 492, 488, 490;
D20/28, 35; D12/191, 192, 190, 195,
D12/345, 415-420, 400, 110, 114, 106,
D12/96, 99; 296/70, 24.3, 37.12;
702/165; 345/158, 594; D10/113.4, 49,
D10/46, 98, 102, 103, 122, 123, 124, 125,
D10/126, 127; 715/839; D15/17, 28
CPC ... B60R 21/045; B60R 2300/305; B60R 7/04;
B60R 7/06; B60R 7/08; B60K 35/00;
B60K 37/00; B60K 37/02; B60K 37/04;
B60K 37/06; G06F 3/04817; H04N
21/4307; H04N 21/4312
See application file for complete search history.

(56) **References Cited**

U.S. PATENT DOCUMENTS

D494,909 S * 8/2004 Pfeiffer D12/192
D503,367 S * 3/2005 Pfeiffer D12/192

D504,372 S * 4/2005 Juraschek D12/192
D576,159 S * 9/2008 Price D14/258
D642,103 S * 7/2011 Yamamoto D12/192
D693,753 S * 11/2013 Cheung D12/192
D697,461 S * 1/2014 Norman D12/192
D705,147 S * 5/2014 Kinoshita D12/192
D706,188 S * 6/2014 Bachorski D12/192
D713,839 S * 9/2014 Endo D14/258
D714,776 S * 10/2014 Kirzinger D14/258
D721,996 S * 2/2015 Farcas D12/192
D726,612 S * 4/2015 Wiedeman D12/192
D728,438 S * 5/2015 Bachorski D12/192

(Continued)

OTHER PUBLICATIONS

2018 Nissan Kicks—Control Panel and Touch Screen Overview, YouTube.com, Nissan Owner Channel, Published on Jun. 7, 2018, [online], [site visited Nov. 1, 2019]. <URL: https://www.youtube.com/watch?v=pLqm99WfKqY> (Year: 2018).*

(Continued)

Primary Examiner — T Chase Nelson
Assistant Examiner — Jonathan J. Han

(74) *Attorney, Agent, or Firm* — Lucas & Mercanti, LLP;
Klaus P. Stoffel

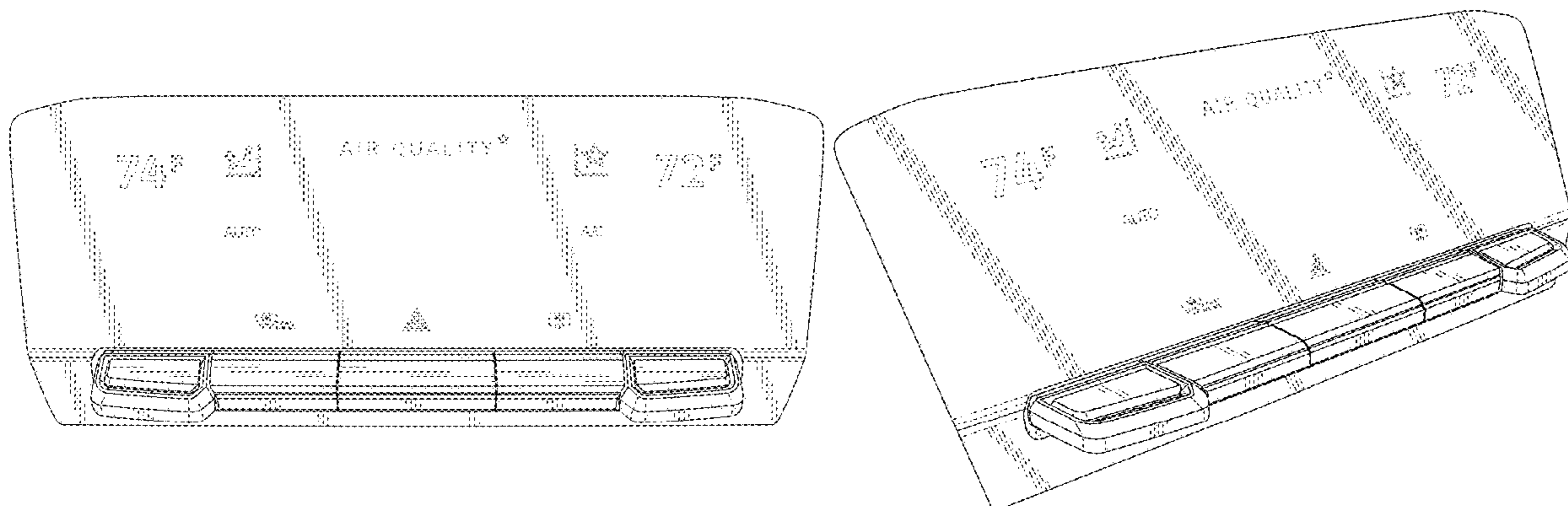
(57) **CLAIM**

The ornamental design for a control and indicator panel, as shown and described.

DESCRIPTION

FIG. 1 is a front view of the control and indicator panel of the present invention; and, FIG. 2 is a front, perspective view thereof. The broken lines in the figures depict graphic representations on the control and indicator panel that form no part of the claimed design.

1 Claim, 2 Drawing Sheets



(56)

References Cited

U.S. PATENT DOCUMENTS

D742,795	S	*	11/2015	Siao	D12/133
D754,043	S	*	4/2016	Bachorski	D12/192
D754,119	S	*	4/2016	Kirzinger	D14/258
D754,120	S	*	4/2016	Kirzinger	D14/258
D774,430	S	*	12/2016	Bachorski	D12/192
D778,244	S	*	2/2017	Feldstein	D13/162
D778,796	S	*	2/2017	Gommier	D12/192
D786,758	S	*	5/2017	Chang	D12/192
D795,146	S	*	8/2017	Ogawa	D12/192
D802,505	S	*	11/2017	Bischoff	D12/192
D813,128	S	*	3/2018	Bischoff	D12/192
D815,002	S	*	4/2018	Niemiec	D12/192
D826,813	S	*	8/2018	Carr	D12/192
D827,470	S	*	9/2018	Lee	D10/106.1
D840,325	S	*	2/2019	Sandys	D12/415
D847,055	S	*	4/2019	De Vienne	D12/192
D861,764	S	*	10/2019	Zhao	D16/218
2014/0292016	A1	*	10/2014	Masuda	B60R 7/06 296/37.12

OTHER PUBLICATIONS

Review: 2018 Range Rover Velar P380, CanadianAutoReview.ca, Calvin Chan, Feb. 26, 2018, [online], [site visited Nov. 1, 2019]. <URL: <http://www.canadianautoreview.ca/reviews/2018-range-rover-velar-p380-hse.html>> (Year: 2018).*

Screens in Cars: When Will the Madness End?, GuideAutoWeb.com, by Frederic Mercier, Oct. 31, 2019, [online], [site visited Nov. 1, 2019]. <URL: <https://www.guideautoweb.com/en/articles/53011/screens-in-cars-when-will-the-madness-end/>> (Year: 2019).*

* cited by examiner

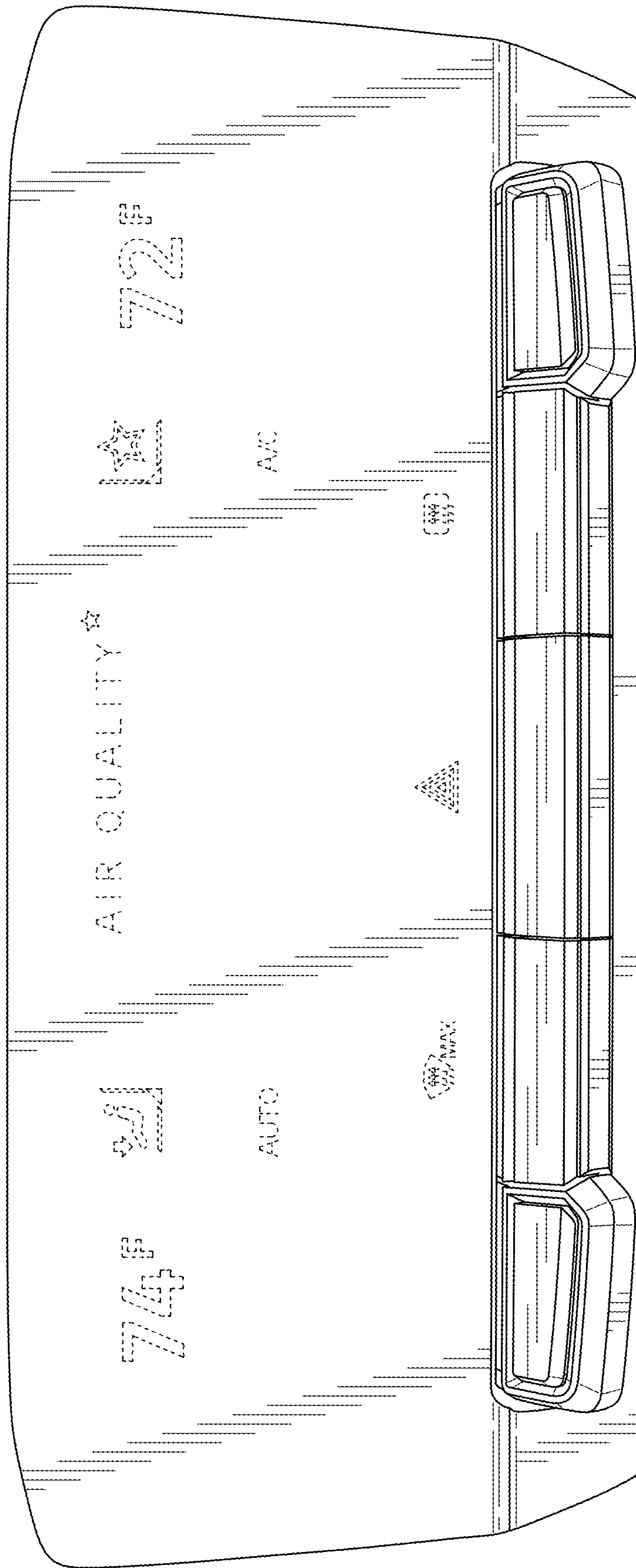


FIG. 1

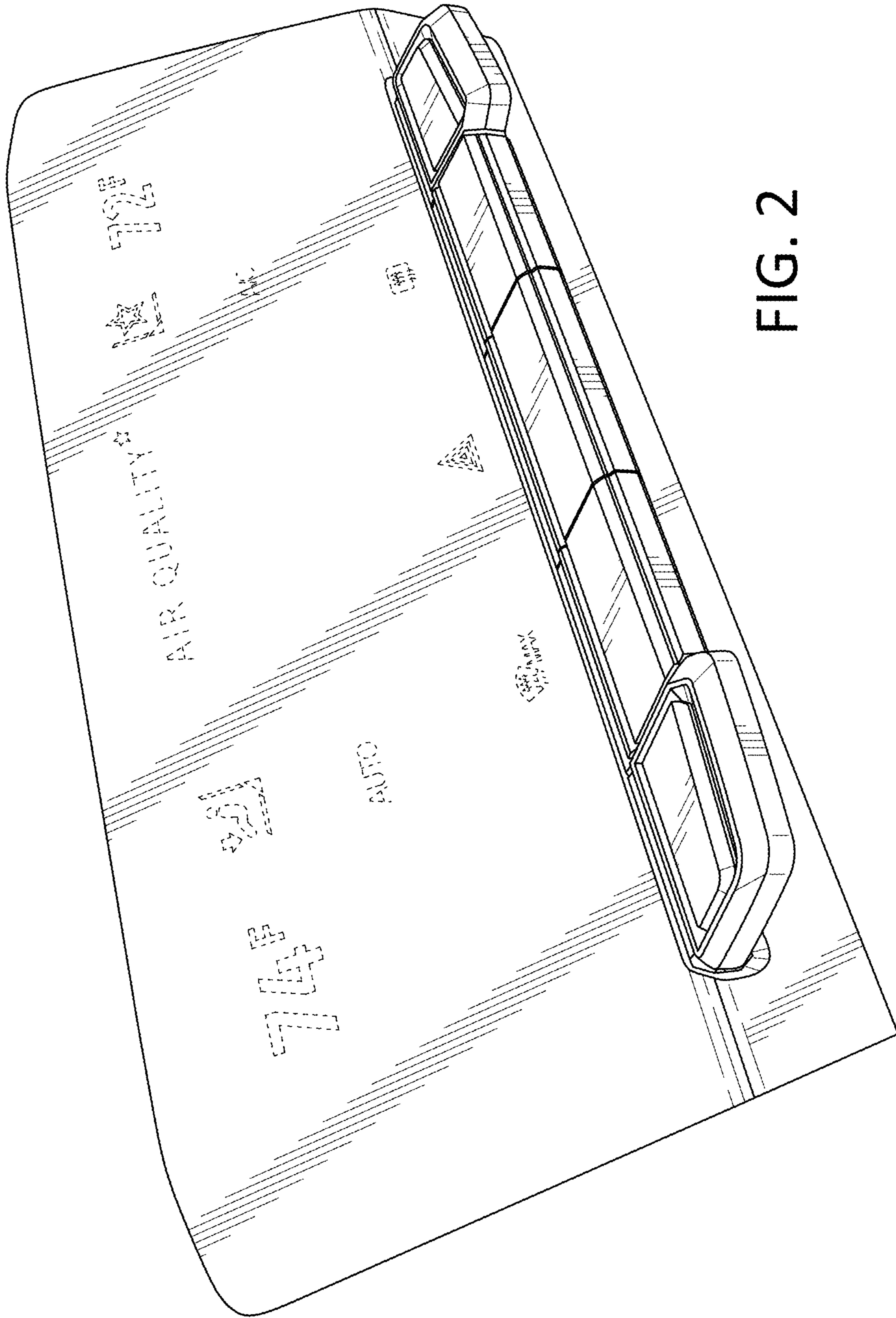


FIG. 2