



US00D877688S

(12) **United States Design Patent**  
**Liu**

(10) **Patent No.:** **US D877,688 S**  
(45) **Date of Patent:** **\*\* Mar. 10, 2020**

(54) **WIRELESS CHARGER**

(56)

**References Cited**

(71) Applicant: **Huizhou Volant Roc Electronics Tech Co., Ltd.**, Huizhou, Guangdong Province (CN)

(72) Inventor: **Jianbo Liu**, Huizhou (CN)

(73) Assignee: **Huizhou Volant Roc Electronics Tech Co., Ltd.**, Huizhou (CN)

(\*\*) Term: **15 Years**

(21) Appl. No.: **29/657,163**

(22) Filed: **Jul. 19, 2018**

(30) **Foreign Application Priority Data**

May 3, 2018 (CN) ..... 2018 3 0195030

(51) **LOC (12) Cl.** ..... **12-16**

(52) **U.S. Cl.**  
USPC ..... **D12/415**

(58) **Field of Classification Search**  
USPC ..... D12/415, 417, 420, 177, 182, 192, 220, D12/223, 191, 195, 345, 400, 114, 106, D12/96; D13/107-110, 118-119, 184; D14/251, 253, 432, 434; 296/70, 24.3, 296/37.18

CPC ..... B60R 21/045; B60R 7/06; B60R 7/00; B60R 2300/20; B60R 2300/205; B60R 2300/207; B60K 37/00; B60K 37/04

See application file for complete search history.

U.S. PATENT DOCUMENTS

D624,461 S *	9/2010	Noble	.....	D12/159
D685,350 S *	7/2013	Mogili	.....	D14/223
D772,218 S *	11/2016	Alesi	.....	D14/253
D858,509 S *	9/2019	Yao	.....	D14/253
D859,286 S *	9/2019	He	.....	D12/415
D859,393 S *	9/2019	Dang	.....	D14/253
D859,395 S *	9/2019	Yao	.....	D14/253

\* cited by examiner

*Primary Examiner* — Abraham Bahta

(74) *Attorney, Agent, or Firm* — Bay State IP, LLC

(57)

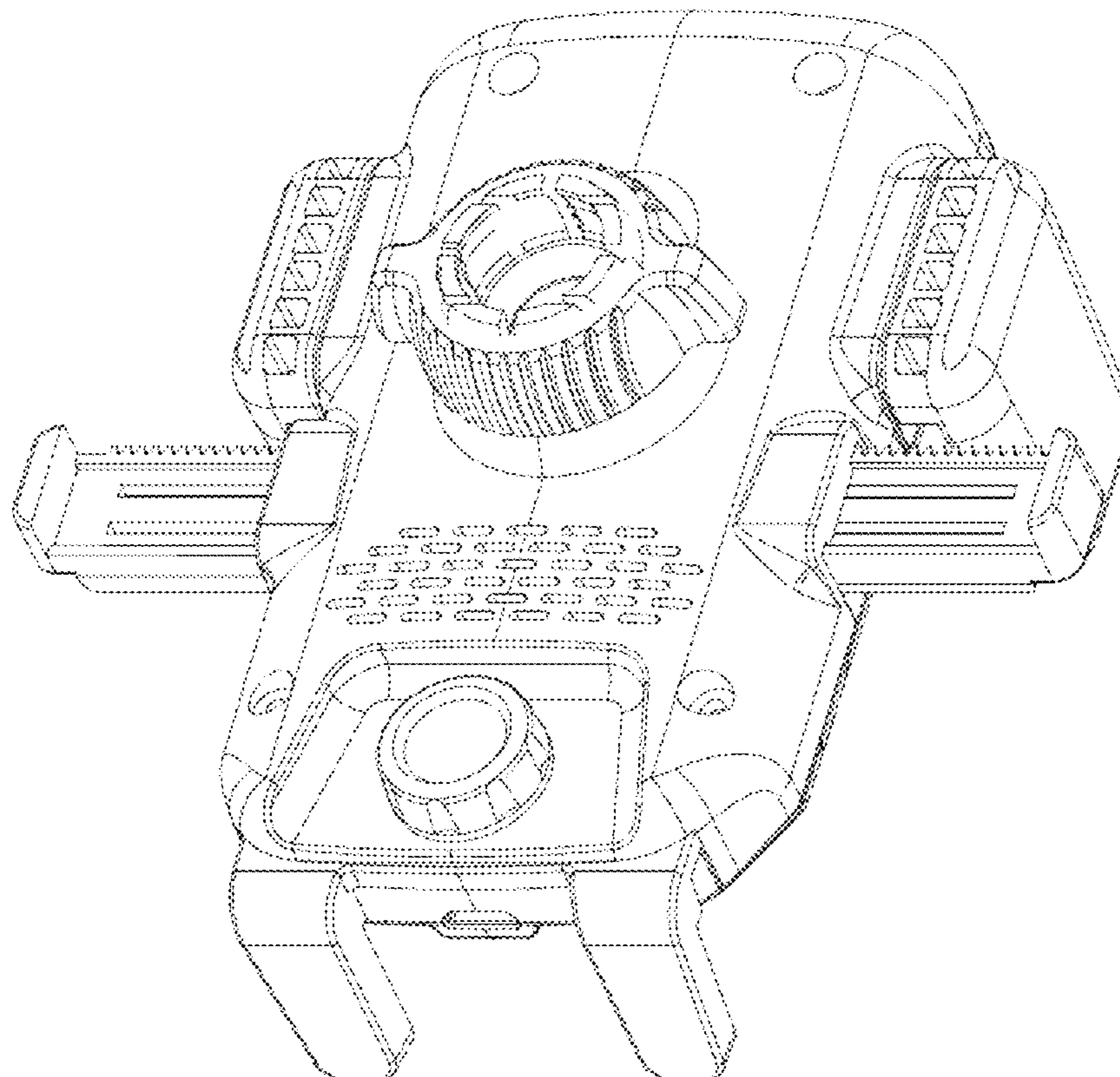
**CLAIM**

The ornamental design for a wireless charger, as shown and described.

**DESCRIPTION**

FIG. 1 is a front perspective view of the wireless charger showing my new design;  
FIG. 2 is a front view thereof;  
FIG. 3 is a back view thereof;  
FIG. 4 is a top view thereof;  
FIG. 5 is a bottom view thereof;  
FIG. 6 is a left side view thereof; and,  
FIG. 7 is a right side view thereof.

**1 Claim, 7 Drawing Sheets**



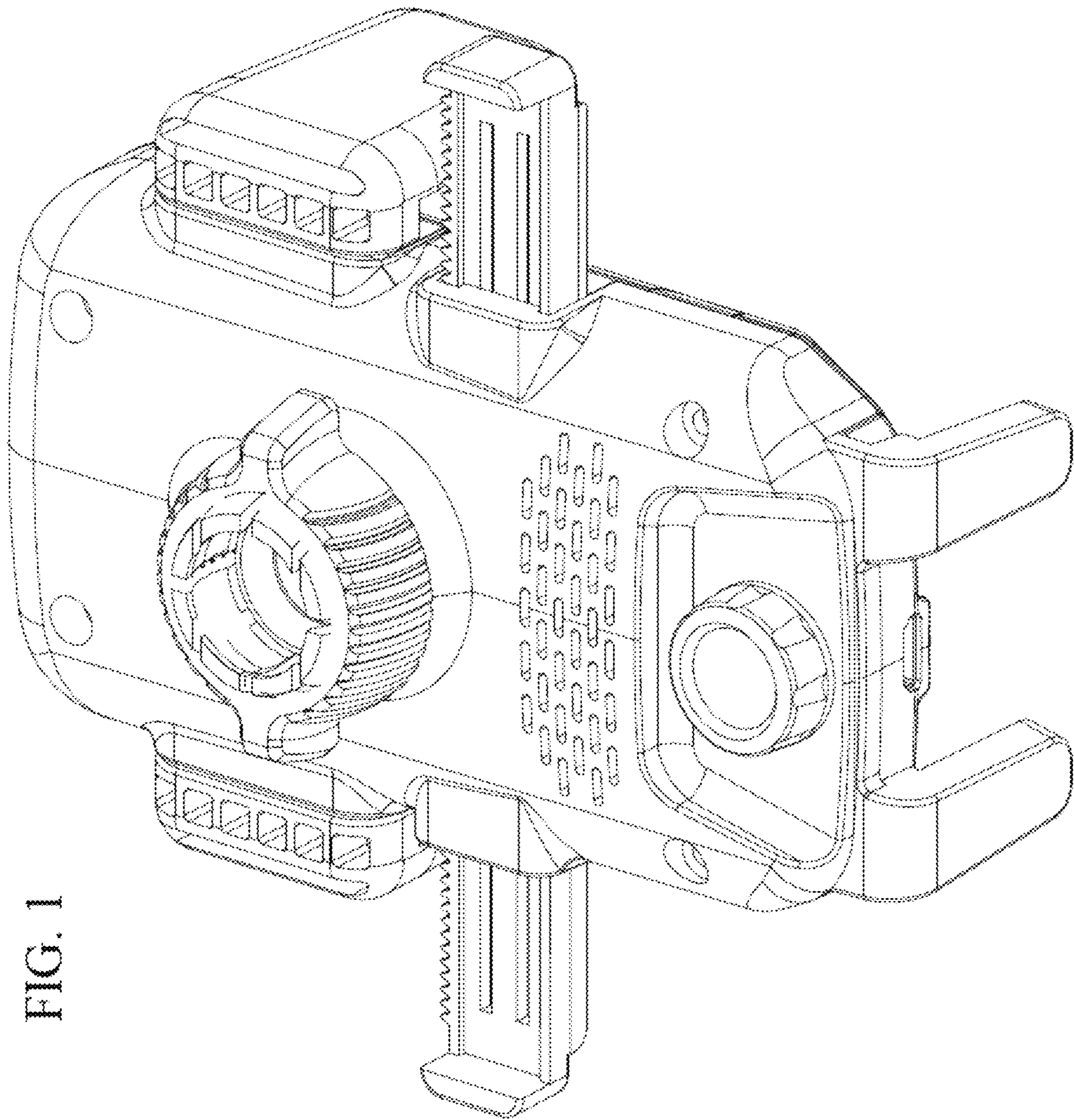


FIG. 1

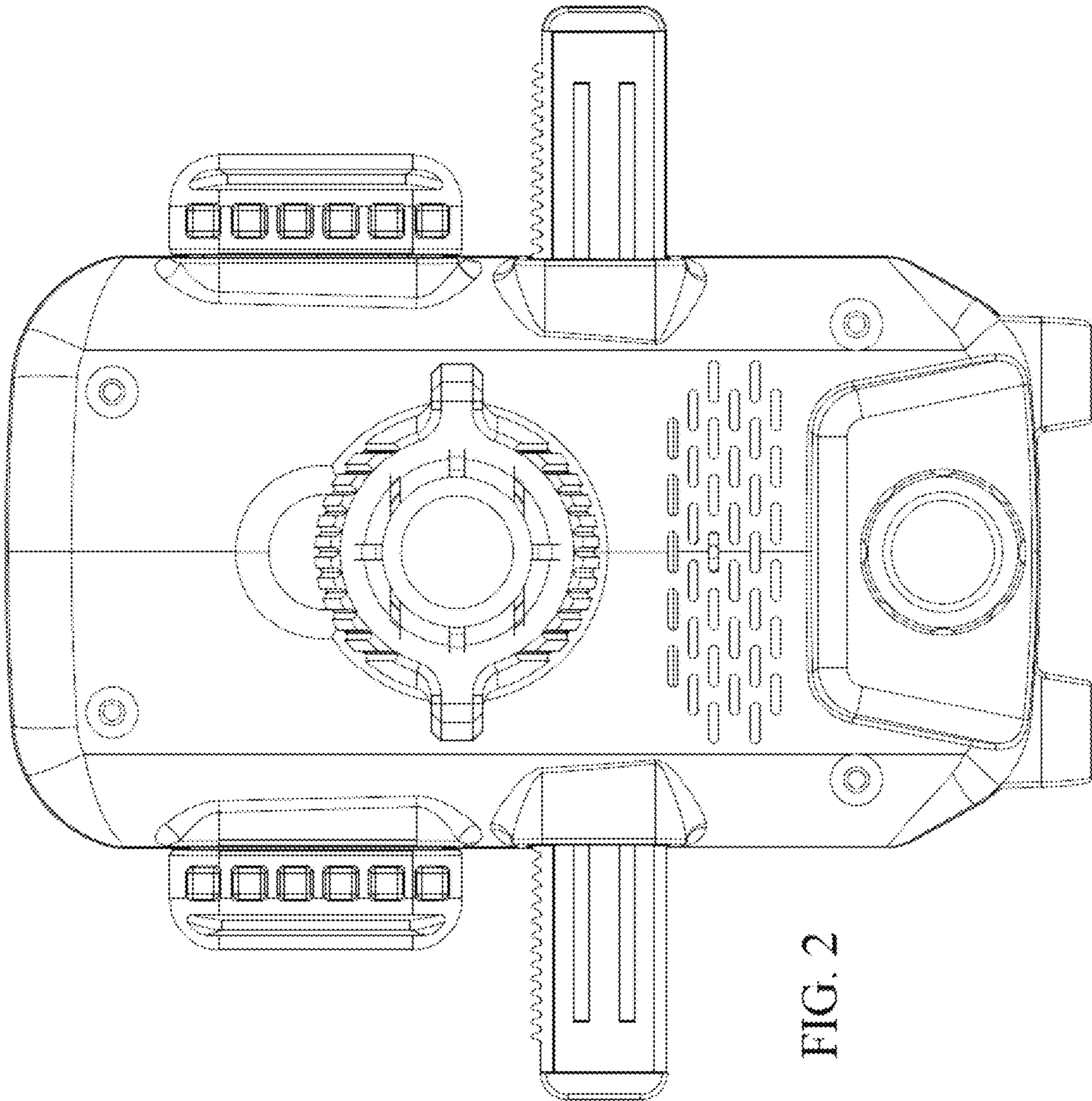


FIG. 2

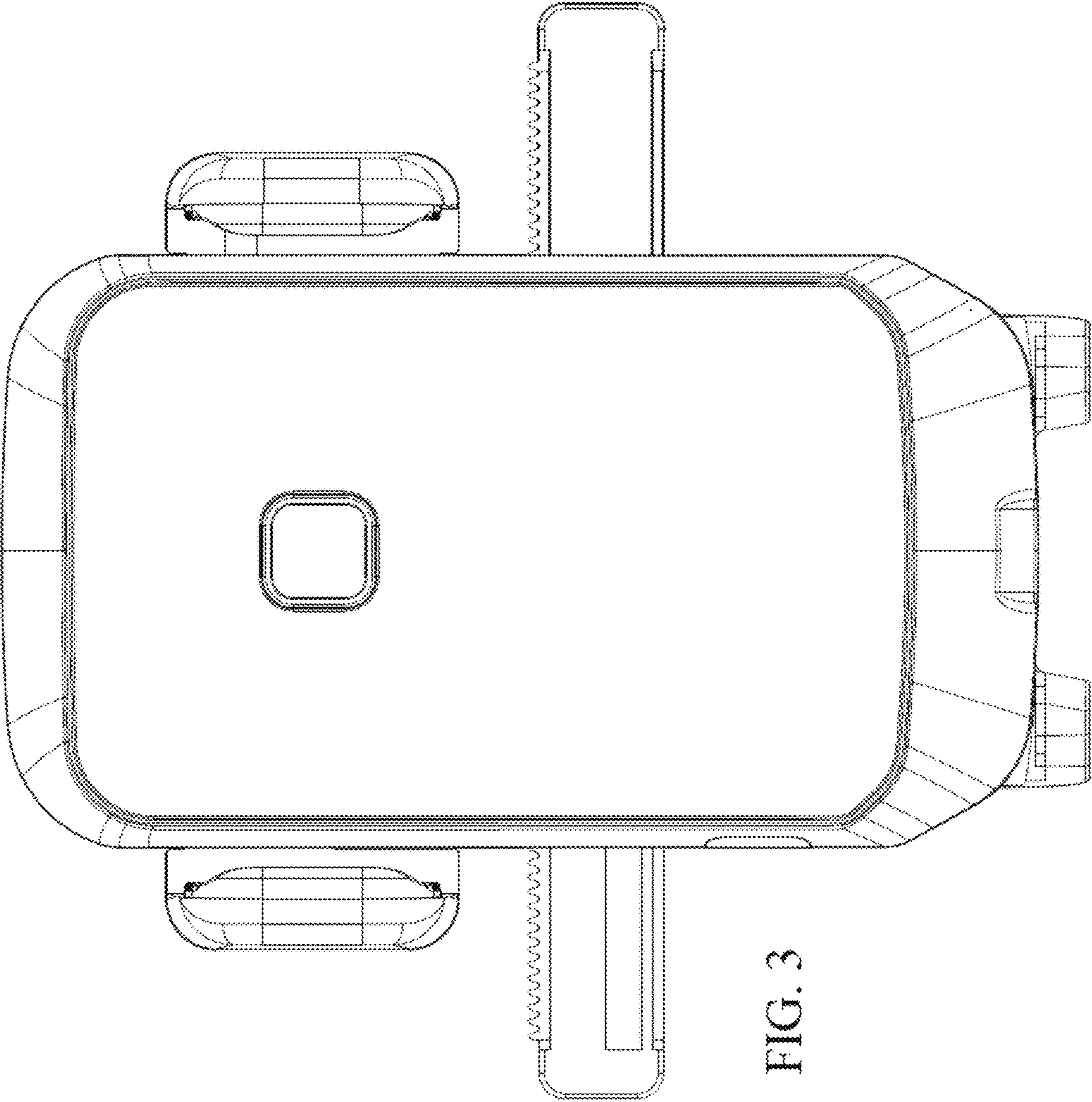


FIG. 3

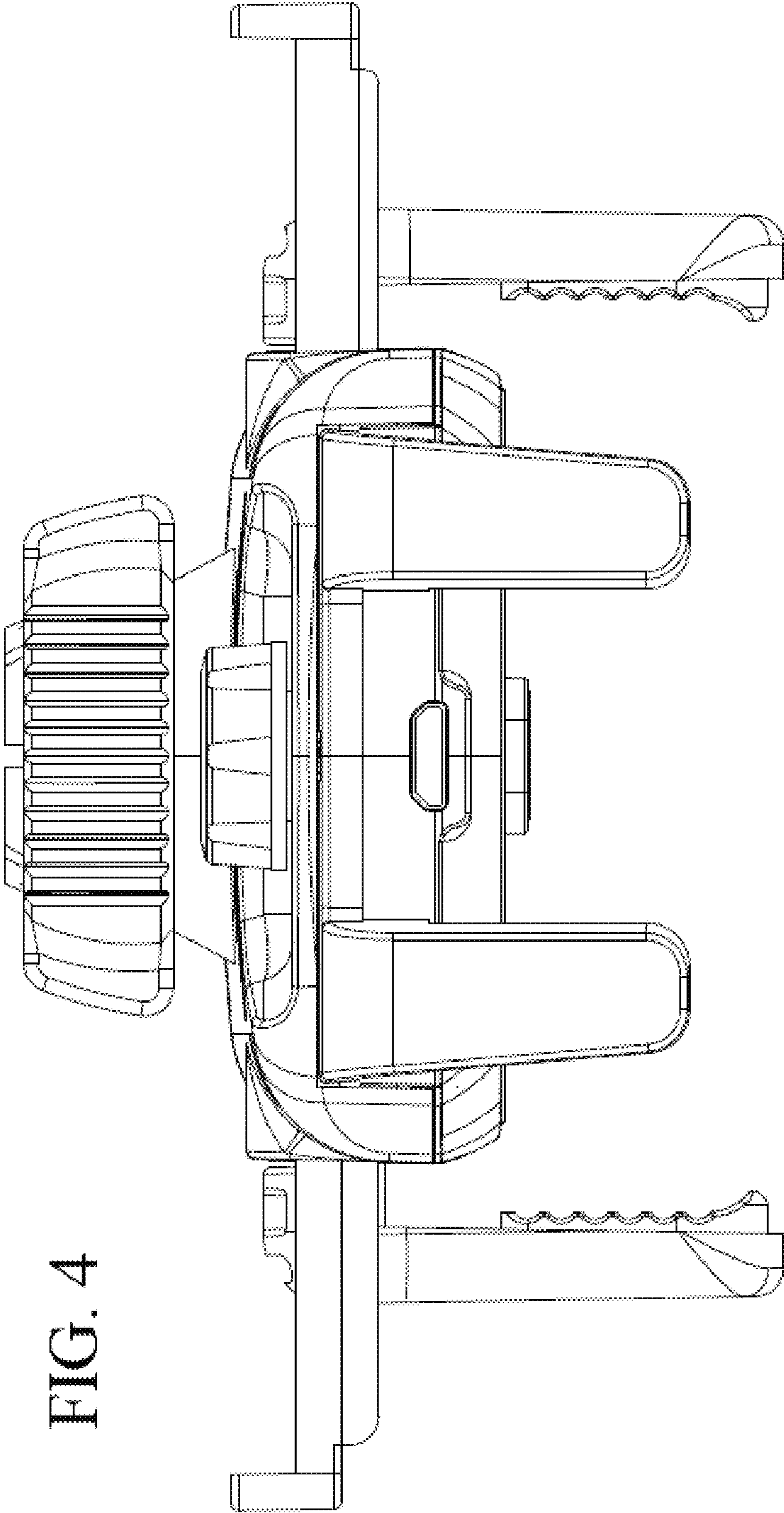


FIG. 4

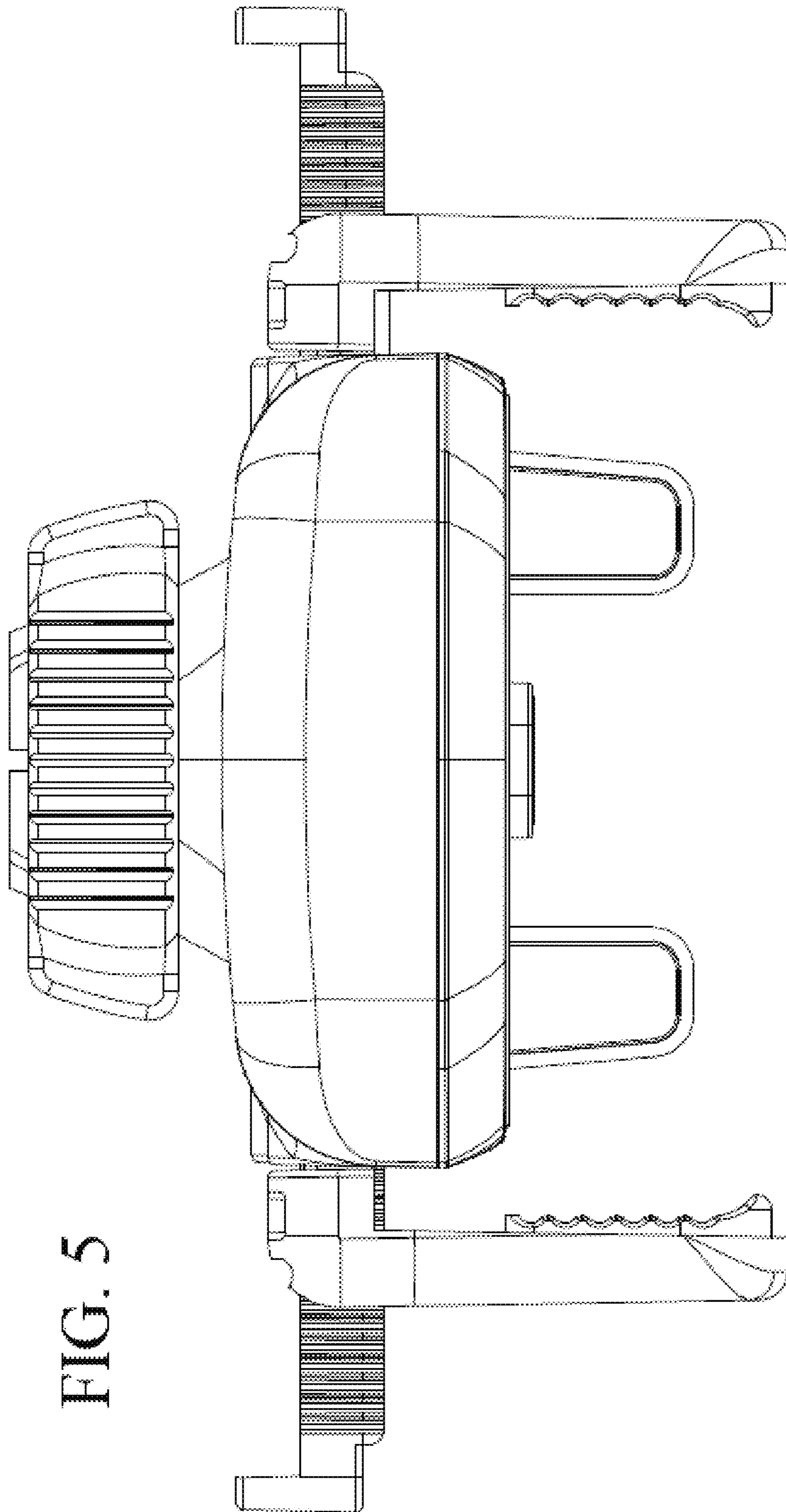
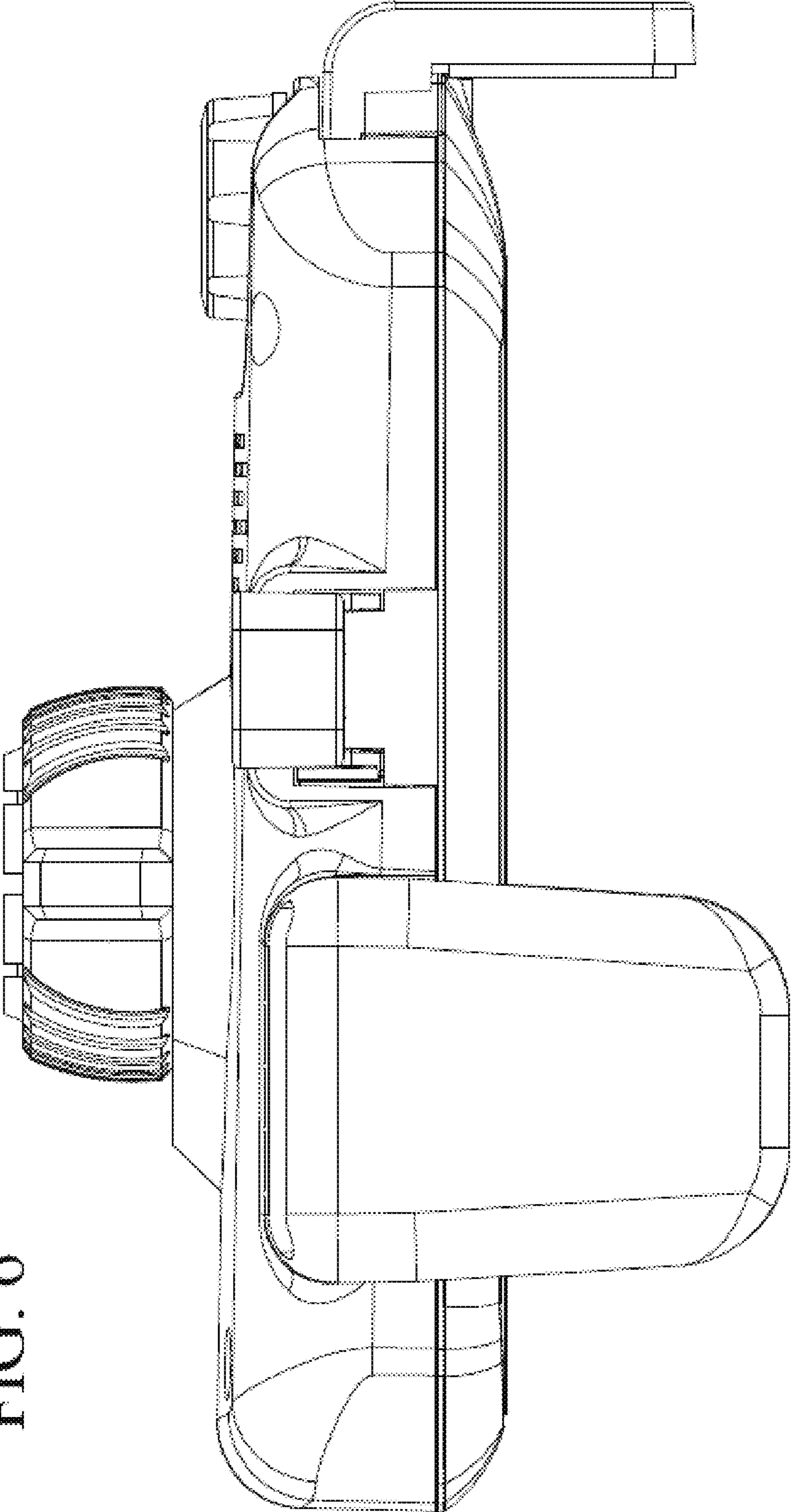


FIG. 5

FIG. 6



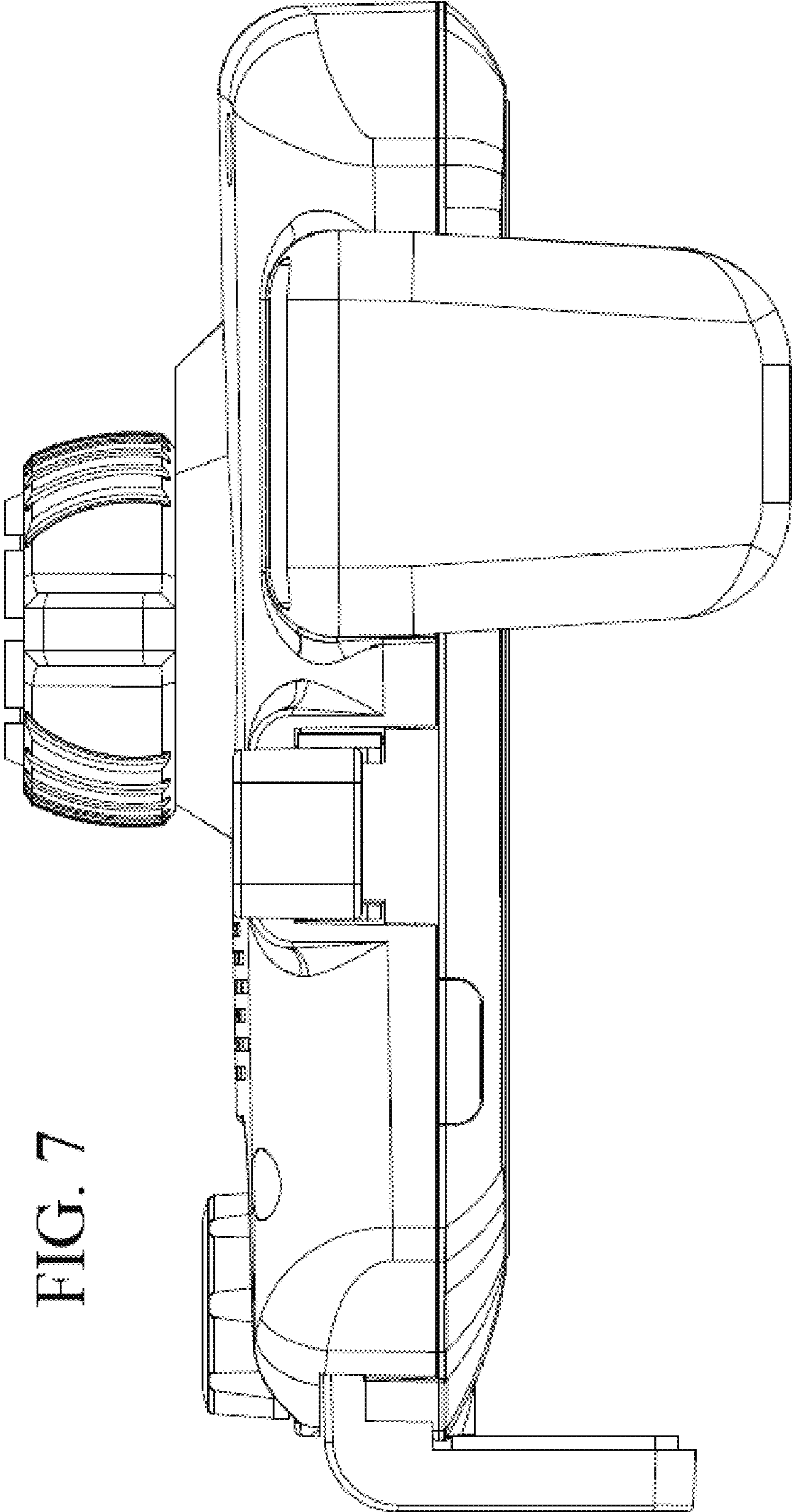


FIG. 7