



US00D877686S

(12) **United States Design Patent**
Connellan et al.

(10) **Patent No.:** **US D877,686 S**
(45) **Date of Patent:** **** Mar. 10, 2020**

(54) **SLIDING UNDERBAR EXTRUSION FOR ROOF RACK**

(71) Applicant: **Rhino Rack Australia Pty Limited**,
New South Wales (AU)

(72) Inventors: **Adam Connellan**, New South Wales (AU); **Warren Asquith**, New South Wales (AU)

(73) Assignee: **Rhino Rack Australia Pty Limited** (AU)

(**) Term: **15 Years**

(21) Appl. No.: **29/669,931**

(22) Filed: **Nov. 13, 2018**

(30) **Foreign Application Priority Data**

May 14, 2018 (AU) 201812802

(51) **LOC (12) Cl.** **12-16**

(52) **U.S. Cl.**
USPC **D12/412**

(58) **Field of Classification Search**
USPC D12/412, 406, 413, 414, 414.1; D6/552;
D3/304-306
CPC B60R 9/04; B60R 9/048; B60R 9/045
See application file for complete search history.

(56) **References Cited**

U.S. PATENT DOCUMENTS

D488,055 S * 4/2004 Ter Braak D8/377
D519,440 S * 4/2006 Rakow D12/414

D538,219 S * 3/2007 Rakow D12/414
D616,035 S * 5/2010 Kosir D20/44
D633,031 S * 2/2011 Robertson D12/412
D691,550 S * 10/2013 Moeller D12/412
D777,814 S * 1/2017 Verhoeven D15/145
D805,214 S * 12/2017 Bizzarri D25/38.1
D816,373 S * 5/2018 Schwandt D6/580
D831,562 S * 10/2018 Salsi D12/412
D855,551 S * 8/2019 Shen D12/412
D856,901 S * 8/2019 Elliott D12/412
D861,576 S * 10/2019 Cropley D12/412

* cited by examiner

Primary Examiner — Katrina A Betton

(74) *Attorney, Agent, or Firm* — Skinner and Associates;
Joel D. Skinner

(57) **CLAIM**

The ornamental design for a sliding underbar extrusion for roof rack, as shown and described.

DESCRIPTION

FIG. 1 is a perspective view from above of a sliding underbar extrusion roof rack showing the design of the invention. In this and other drawing figures, the broken away portions represent that no particular length is claimed.

FIG. 2 is a perspective view from below thereof.

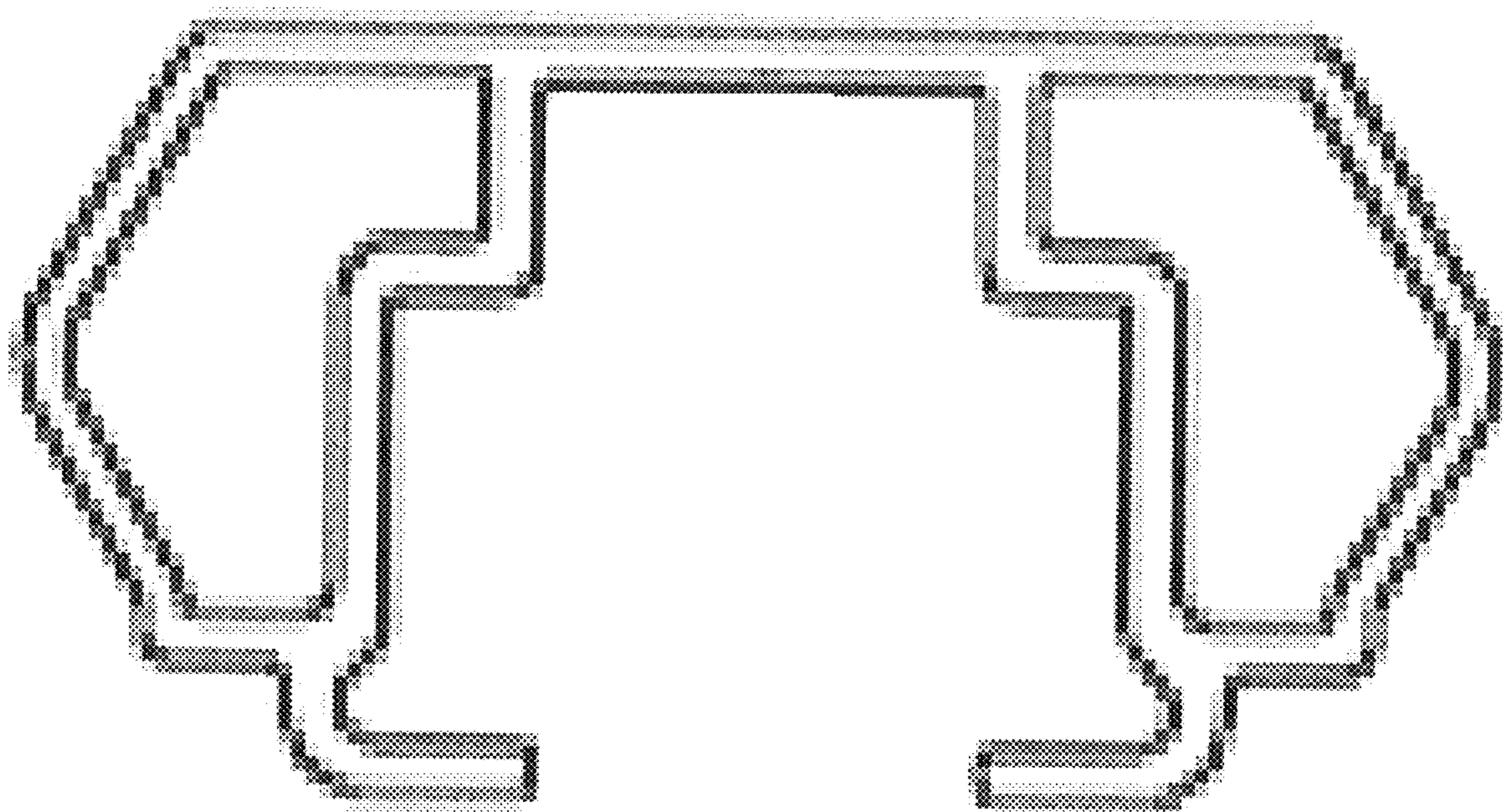
FIG. 3 is a front view thereof, the rear view being a mirror image.

FIG. 4 is a side view thereof, the opposite side being a mirror image.

FIG. 5 is a top view thereof; and,

FIG. 6 is a bottom view thereof.

1 Claim, 6 Drawing Sheets



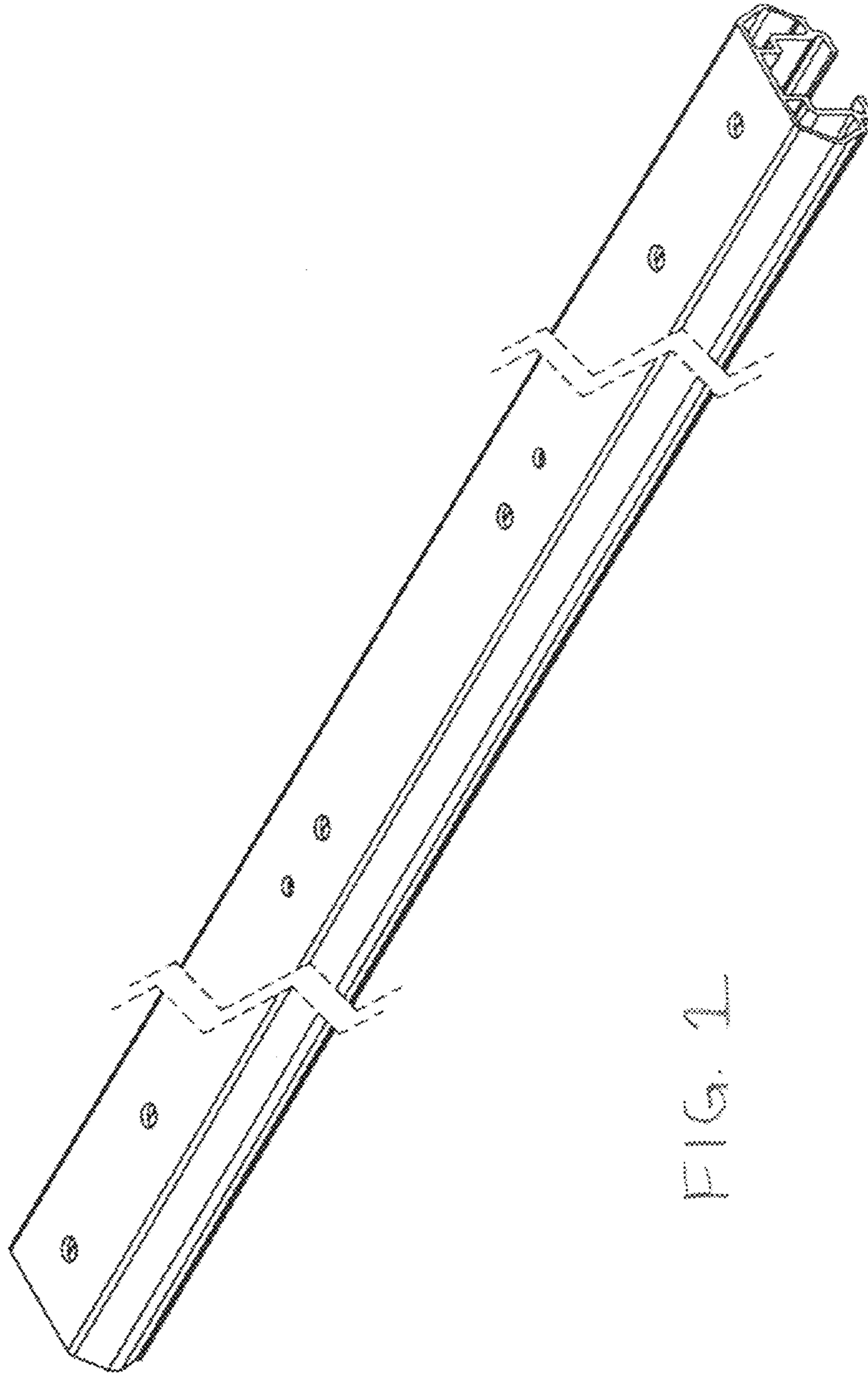


FIG. 1

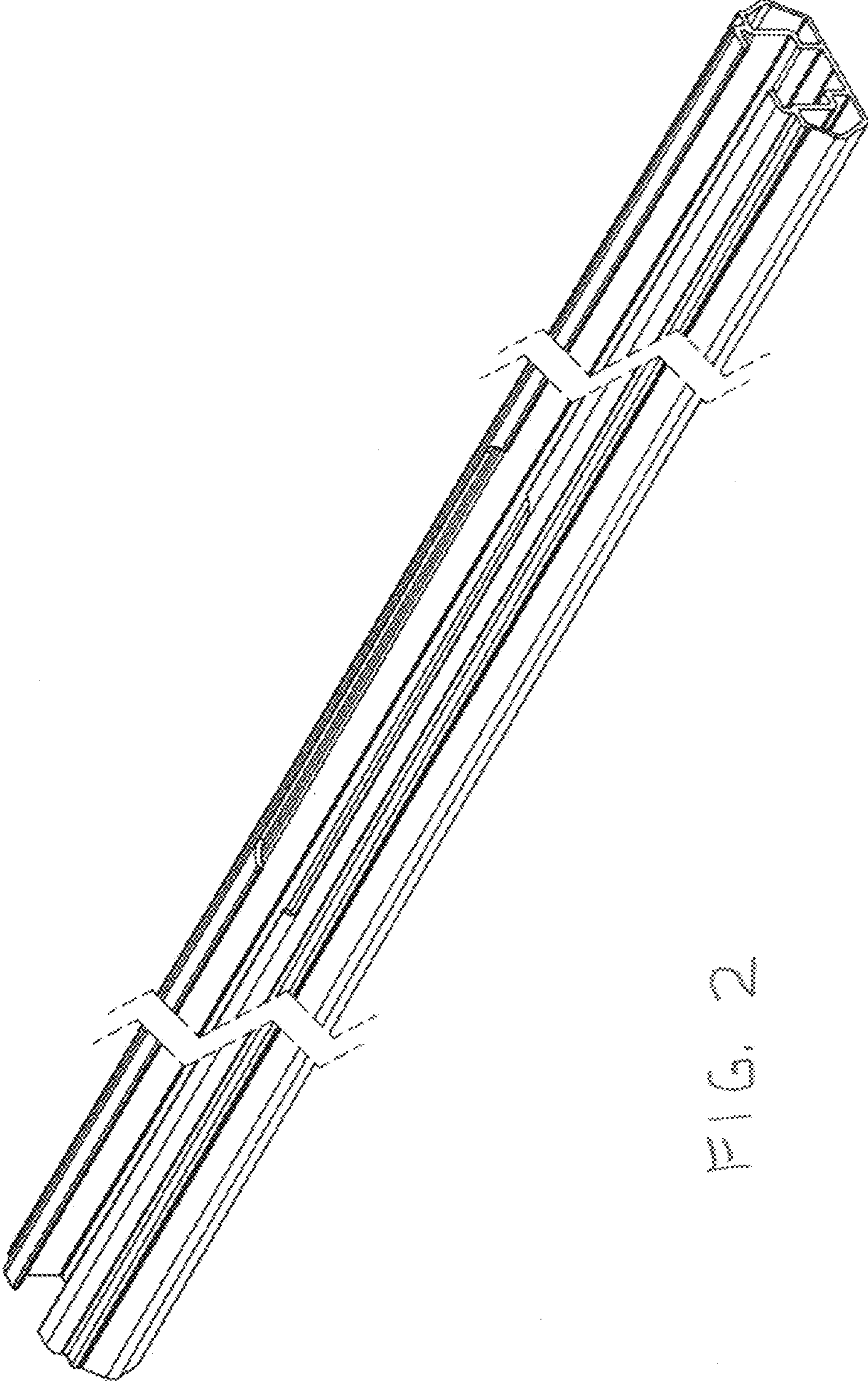


FIG. 2

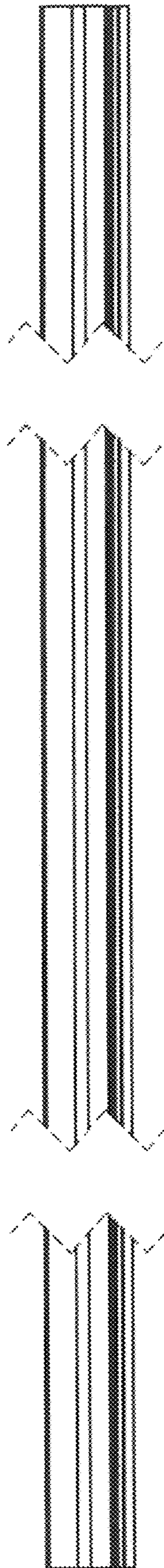


FIG. 3

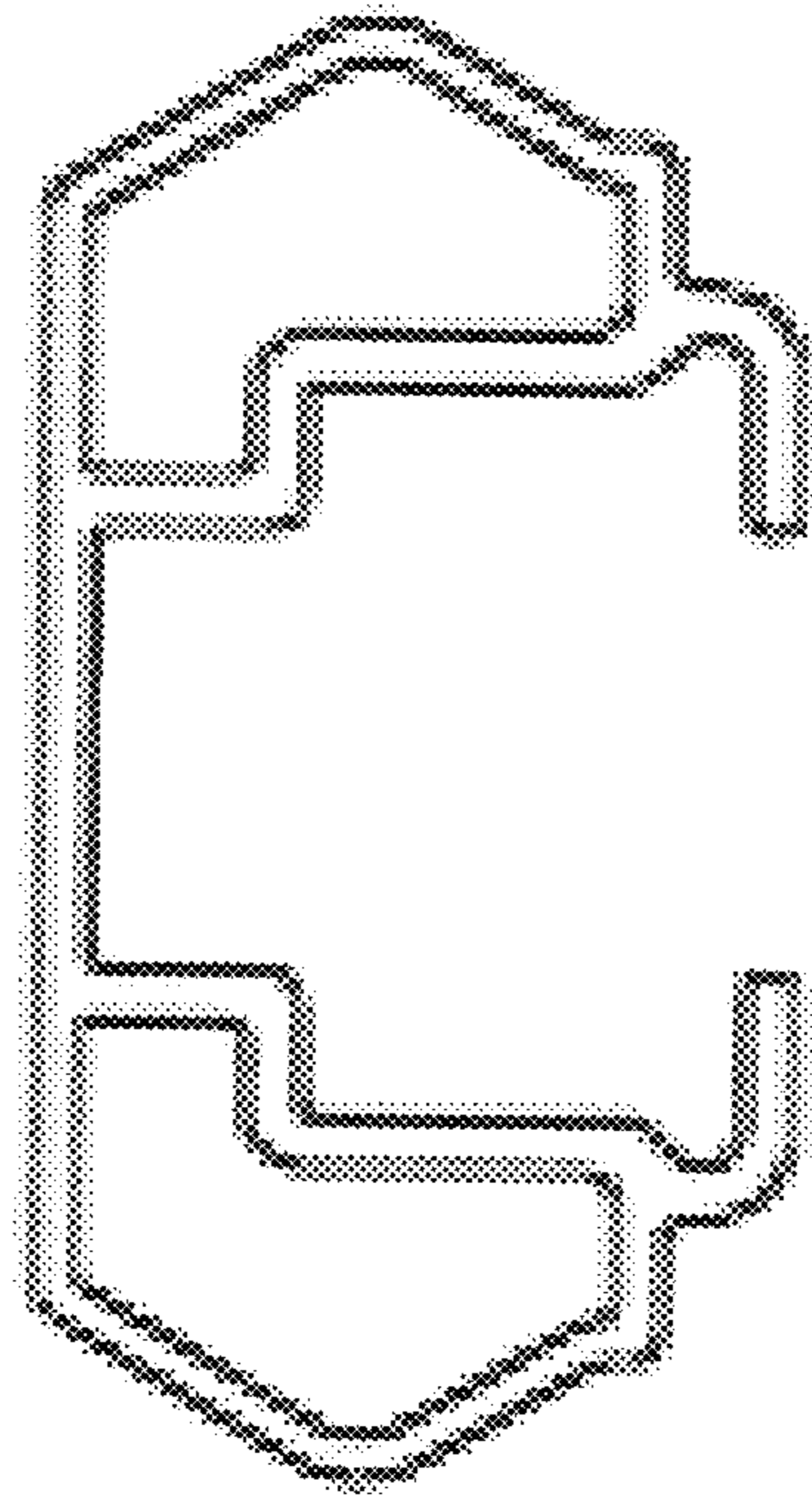


FIG. 4

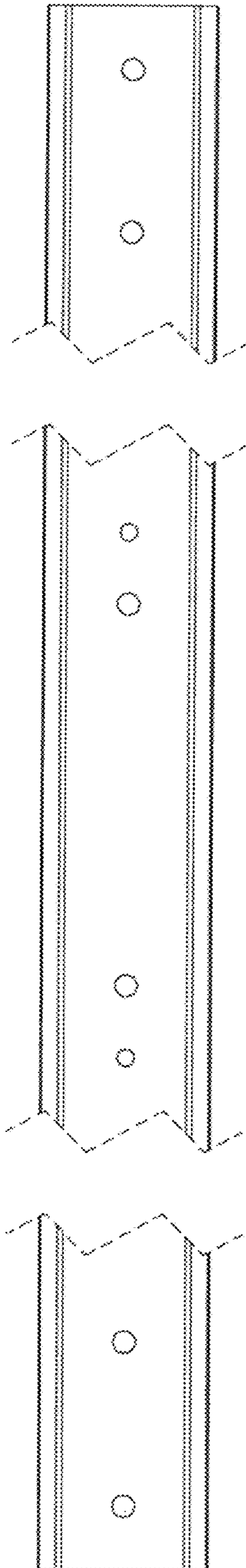


FIG. 5

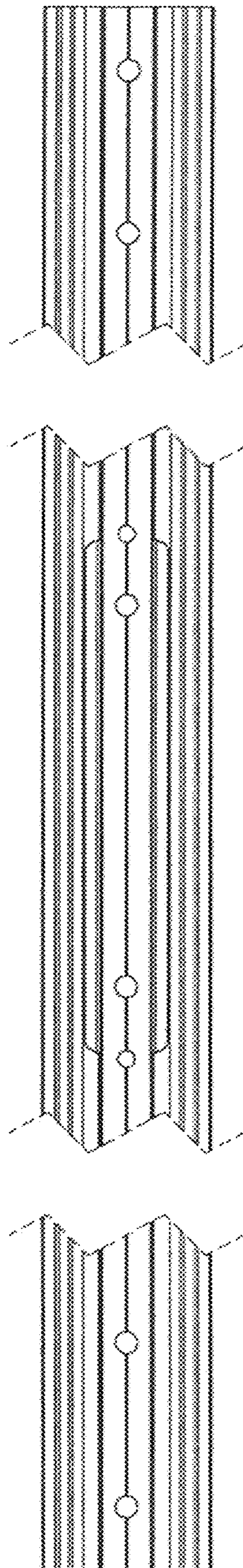


FIG. 6