



US00D877685S

(12) **United States Design Patent**
Larsson et al.

(10) **Patent No.:** **US D877,685 S**
(45) **Date of Patent:** **** Mar. 10, 2020**

(54) **CARRIER**

(71) Applicant: **Thule Sweden AB**, Hillerstorp (SE)

(72) Inventors: **Johan Larsson**, Jonkoping (SE);
Joseph Settlemayer, McKinleyville,
CA (US)

(73) Assignee: **Thule Sweden AB**, Hillerstorp (SE)

(**) Term: **15 Years**

(21) Appl. No.: **29/663,317**

(22) Filed: **Sep. 13, 2018**

(51) **LOC (12) Cl.** **12-16**

(52) **U.S. Cl.**
USPC **D12/406**

(58) **Field of Classification Search**
USPC D12/111, 115, 120, 159, 161, 169, 400,
D12/402, 406-408, 412, 414, 414.1, 420;
D3/304-306; D6/552, 716.3; D8/356
CPC .. B60R 9/06; B60R 9/10; B60R 11/00; B60R
9/048; Y10S 224/924
See application file for complete search history.

(56) **References Cited**

U.S. PATENT DOCUMENTS

5,833,074 A	11/1998	Phillips	
6,019,266 A *	2/2000	Johnson	B60R 9/06 224/508
D467,218 S *	12/2002	Peschmann	D12/408
6,491,195 B1 *	12/2002	McLemore	B60R 9/06 224/521
6,761,297 B1 *	7/2004	Pedrini	B60R 9/10 224/324
7,044,347 B1 *	5/2006	Pedrini	B60R 9/10 224/324
D546,755 S *	7/2007	Ezra	D12/408
D548,170 S *	8/2007	Ezra	D12/408

(Continued)

FOREIGN PATENT DOCUMENTS

CN 107380299 * 11/2017 B62D 65/18
JP 2012035788 A 2/2012

OTHER PUBLICATIONS

Best Bike Rack or Carrier Options, CompleteTri.com, Admin, Jul. 3, 2019, [online], [site visited Sep. 23, 2019]. <URL: <https://completetri.com/best-bike-rack-or-carrier-options/>> (Year: 2019).*

(Continued)

Primary Examiner — T Chase Nelson

Assistant Examiner — Jonathan J. Han

(74) *Attorney, Agent, or Firm* — Sterne, Kessler,
Goldstein & Fox P.L.L.C.

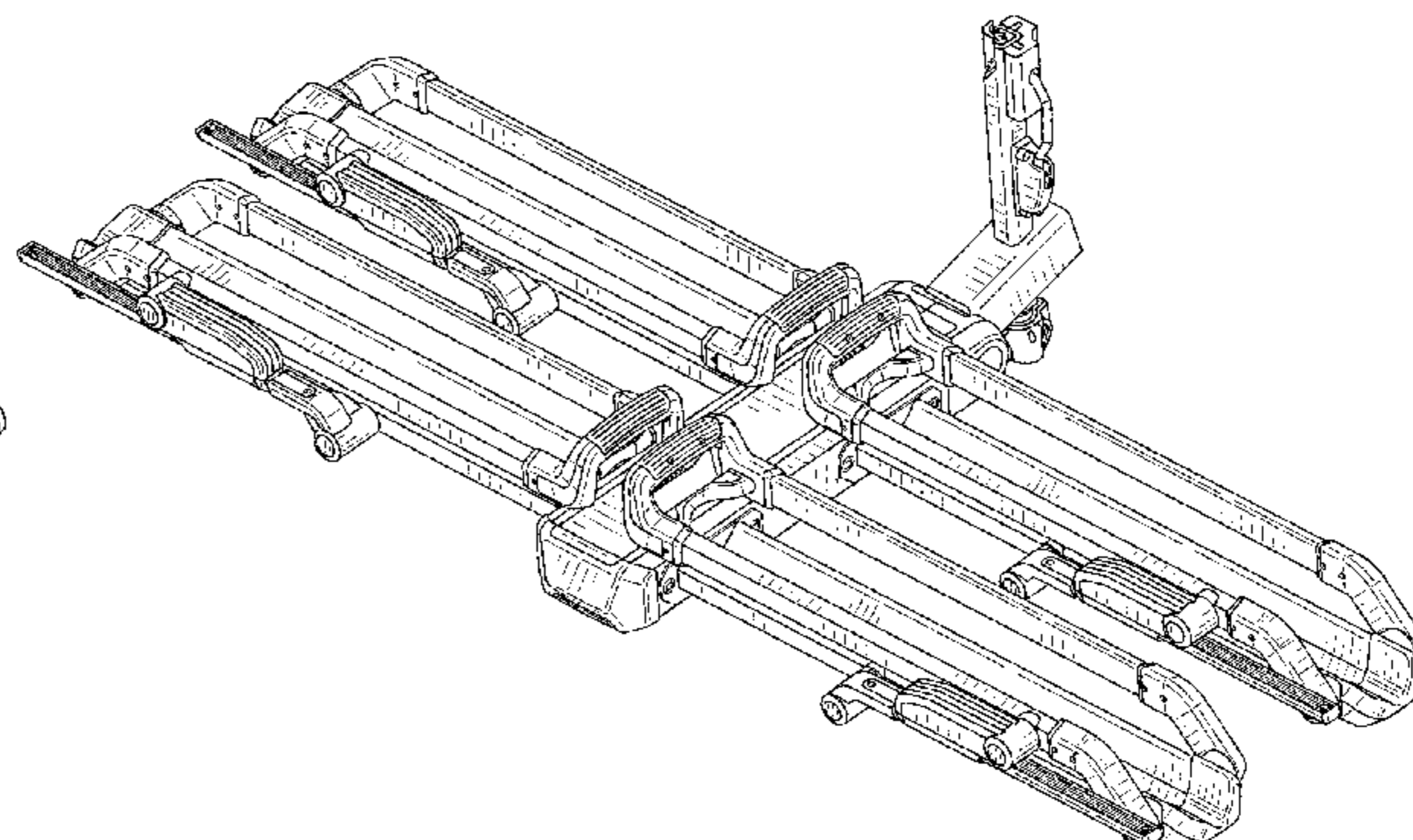
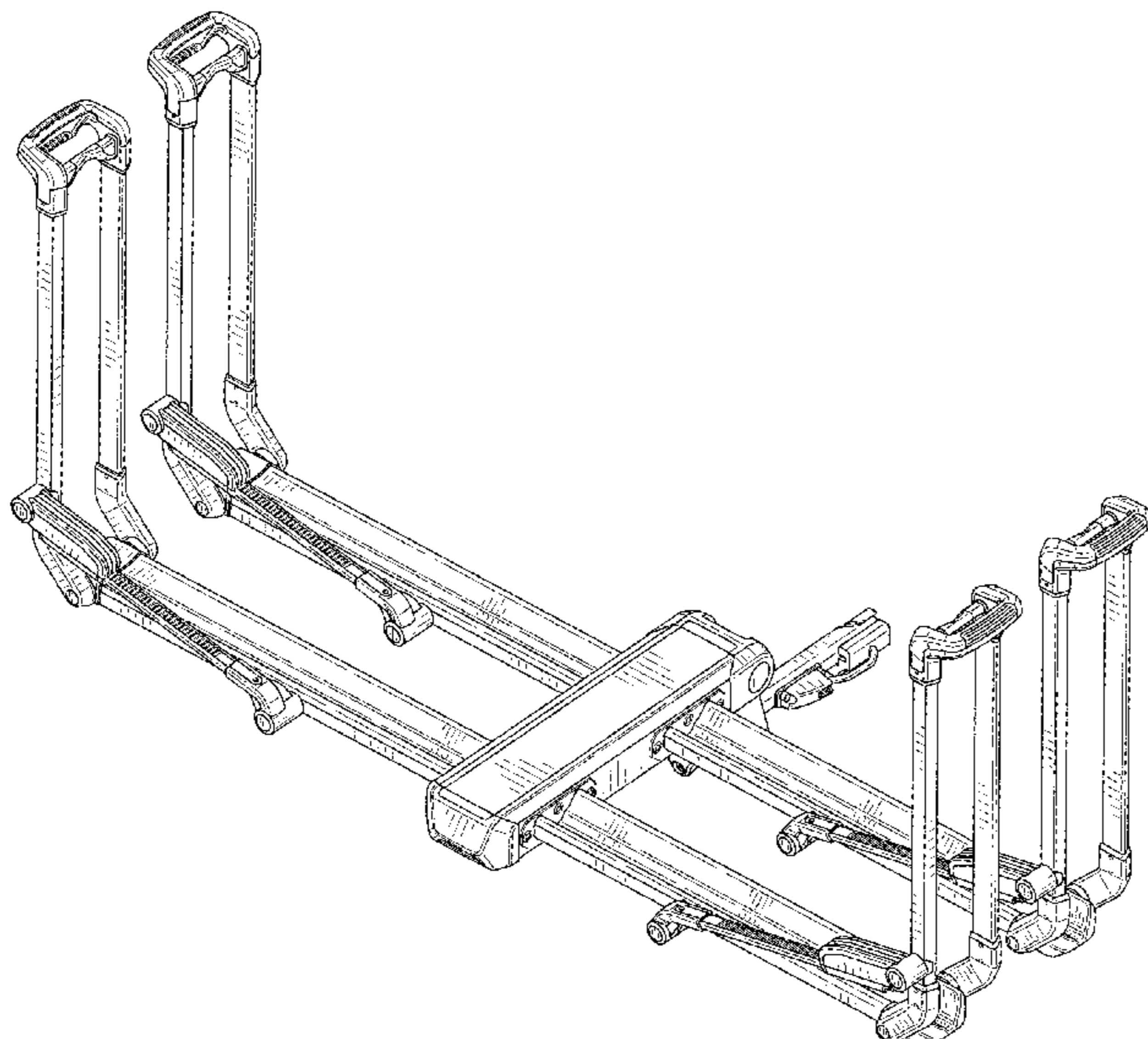
(57) **CLAIM**

The ornamental design for a carrier, as shown and described.

DESCRIPTION

FIG. 1 is a top front perspective view of a carrier showing the claimed design;
FIG. 2 is a front view thereof;
FIG. 3 is a rear view thereof;
FIG. 4 is a left side view thereof;
FIG. 5 is a right side view thereof;
FIG. 6 is a top view thereof;
FIG. 7 is a bottom view thereof;
FIG. 8 is a bottom rear perspective view thereof;
FIG. 9 is a top front perspective view of the carrier in a closed position showing the claimed design;
FIG. 10 is a front view thereof;
FIG. 11 is a rear view thereof;
FIG. 12 is a left side view thereof;
FIG. 13 is a right side view thereof;
FIG. 14 is a top view thereof;
FIG. 15 is a bottom view thereof; and,
FIG. 16 is a bottom rear perspective view thereof.

1 Claim, 16 Drawing Sheets



(56)

References Cited

U.S. PATENT DOCUMENTS

7,815,083 B2 10/2010 Clausen et al.
 D628,141 S * 11/2010 Weaver D12/408
 D630,572 S 1/2011 Weaver et al.
 8,047,412 B2 * 11/2011 Premartin B60R 9/06
 224/314
 D672,704 S * 12/2012 Grago D12/408
 D684,917 S * 6/2013 Williams D12/408
 8,496,148 B2 * 7/2013 Farney B60R 9/10
 224/497
 8,733,604 B2 * 5/2014 Murray B60R 9/08
 224/310
 D706,209 S * 6/2014 Flaherty D12/407
 D717,717 S * 11/2014 Williams B60R 9/10
 D12/408
 D722,289 S * 2/2015 Williams D12/408
 D727,831 S * 4/2015 Eriksson D12/407
 9,393,912 B2 * 7/2016 Pedrini B60R 9/06
 9,393,913 B2 * 7/2016 Bukaric B60R 9/10
 D788,019 S * 5/2017 Kuschmeader D12/408
 D789,276 S 6/2017 Adler
 D790,434 S * 6/2017 Adler D12/408
 9,744,910 B2 * 8/2017 Prescott B60R 9/06
 D811,985 S * 3/2018 Clark D12/407
 D813,784 S * 3/2018 Larsson D12/407
 D817,256 S 5/2018 Adler et al.
 2002/0125279 A1 * 9/2002 Edgerly B60R 9/048
 224/310

2003/0071097 A1 * 4/2003 Dean B60R 9/048
 224/319
 2008/0099522 A1 * 5/2008 Clausen B60R 9/06
 224/519
 2009/0236382 A1 * 9/2009 Sautter B60R 9/06
 224/497
 2010/0230455 A1 * 9/2010 Wang B60R 9/06
 224/533
 2011/0011909 A1 * 1/2011 Liu B60R 9/10
 224/501
 2013/0062385 A1 * 3/2013 Pedrini B60R 9/06
 224/501

OTHER PUBLICATIONS

Thule 9035XT T2 Pro Bike Carrier, Two-Bike, Llbean.com, [online], [site visited Sep. 23, 2019]. <URL: <https://www.llbean.com/llb/shop/117658?page=thule-9035xt-t2-pro-bike-carrier-two-bike>> (Year: 2019).*

Kuat Racks NV Base 2.0 Add On Bike Rack (2 Pack), Sandy Matte Black, 2", Amazon.com, [online], [site visited Sep. 23, 2019]. <URL: https://www.amazon.com/dp/B01M3R9K2K/ref=sspa_dk_detail_7?psc=1&smid=A3861ER85LFQA&spLa=ZW5jcnlwdGVkUXVhbGlmaWVyPUEzUE5VVEgyMUIGUIG2JmV> (Year: 2019).*

Thule 9032 EasyFold Carrier, Amazon.com, [online], [site visited Sep. 23, 2019]. <URL: <https://www.amazon.com/Thule-9032-EasyFold-Carrier/dp/B00FSRNH4G>> (Year: 2019).*

* cited by examiner

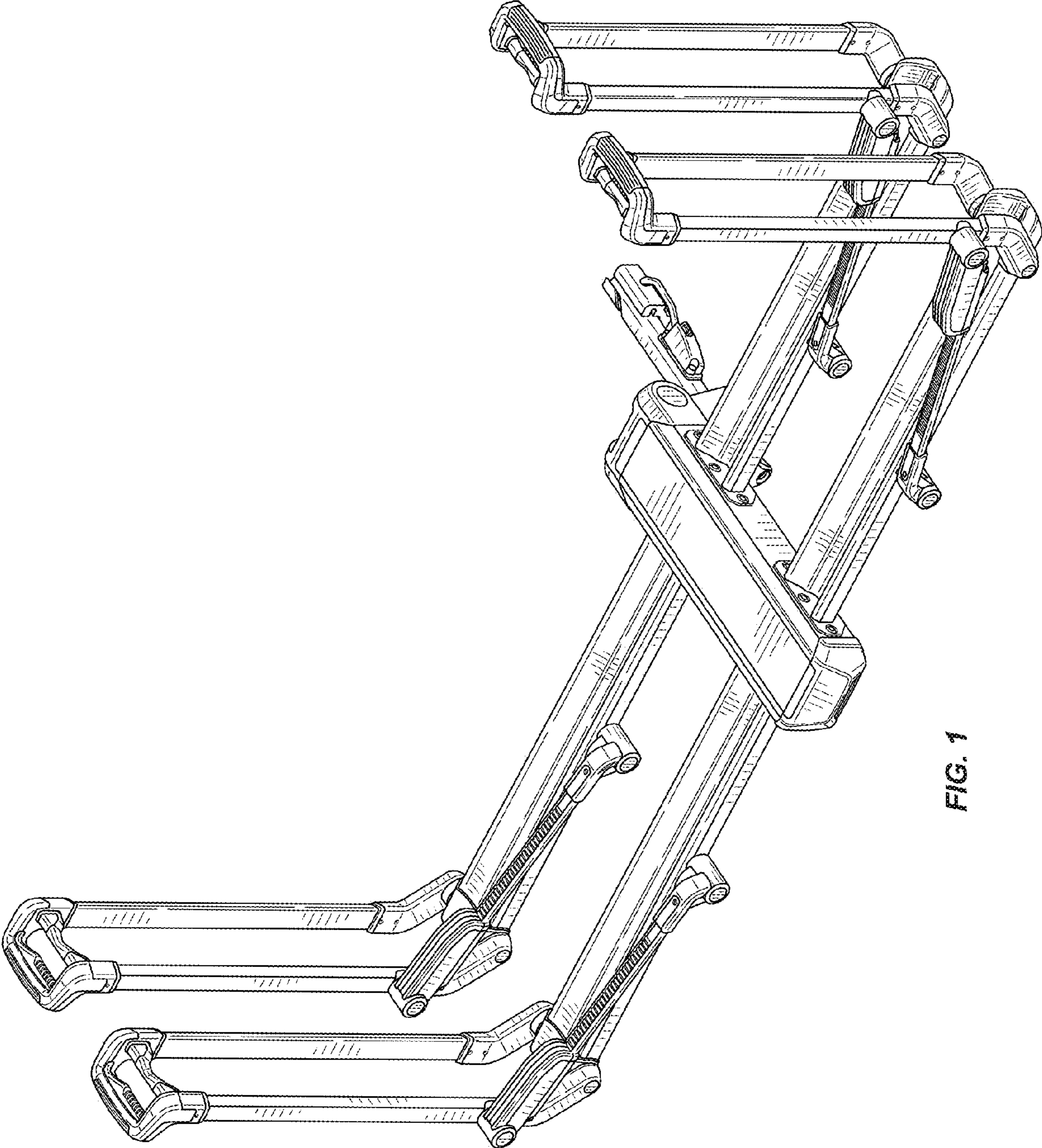


FIG. 1

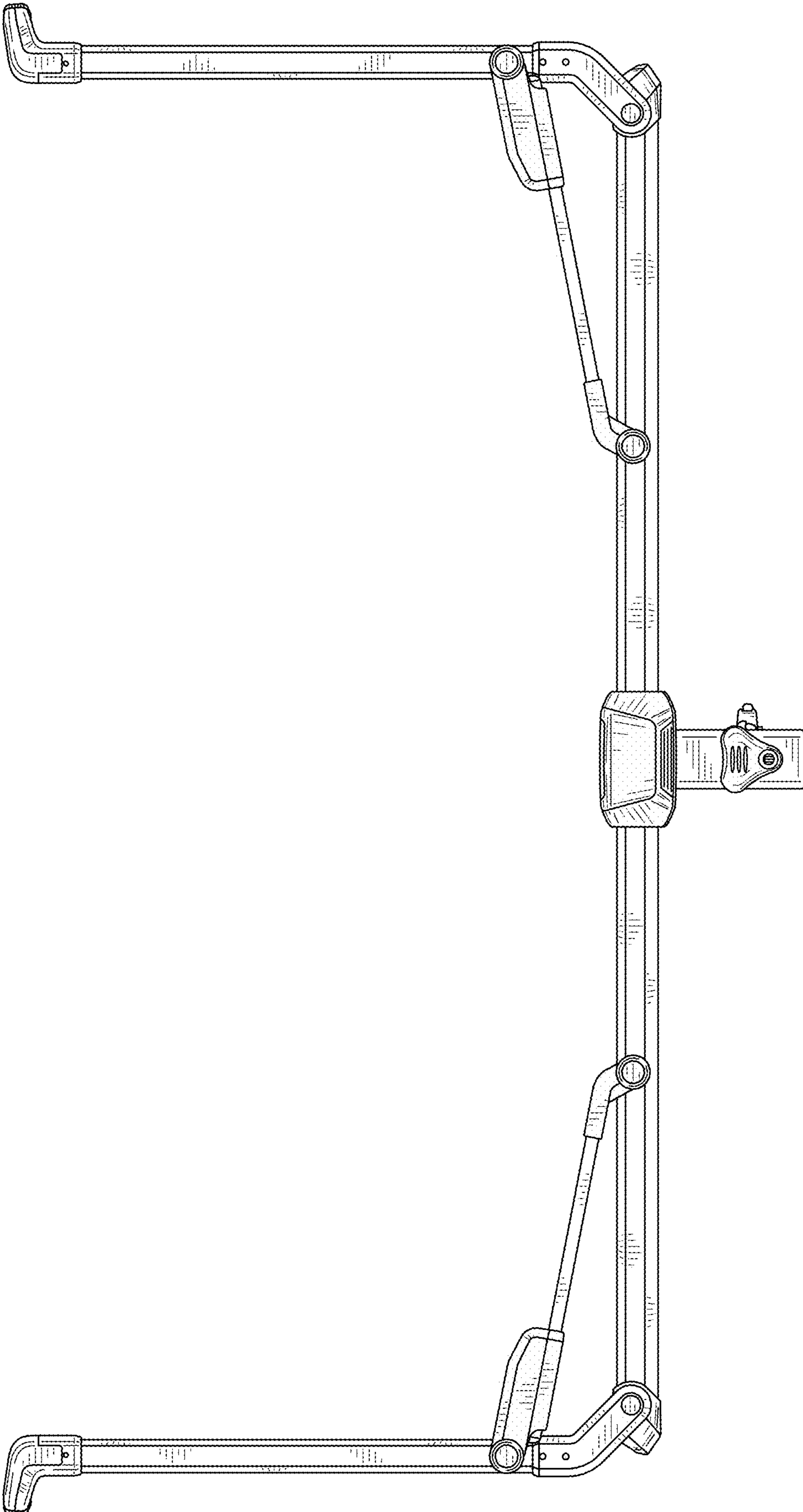


FIG. 2

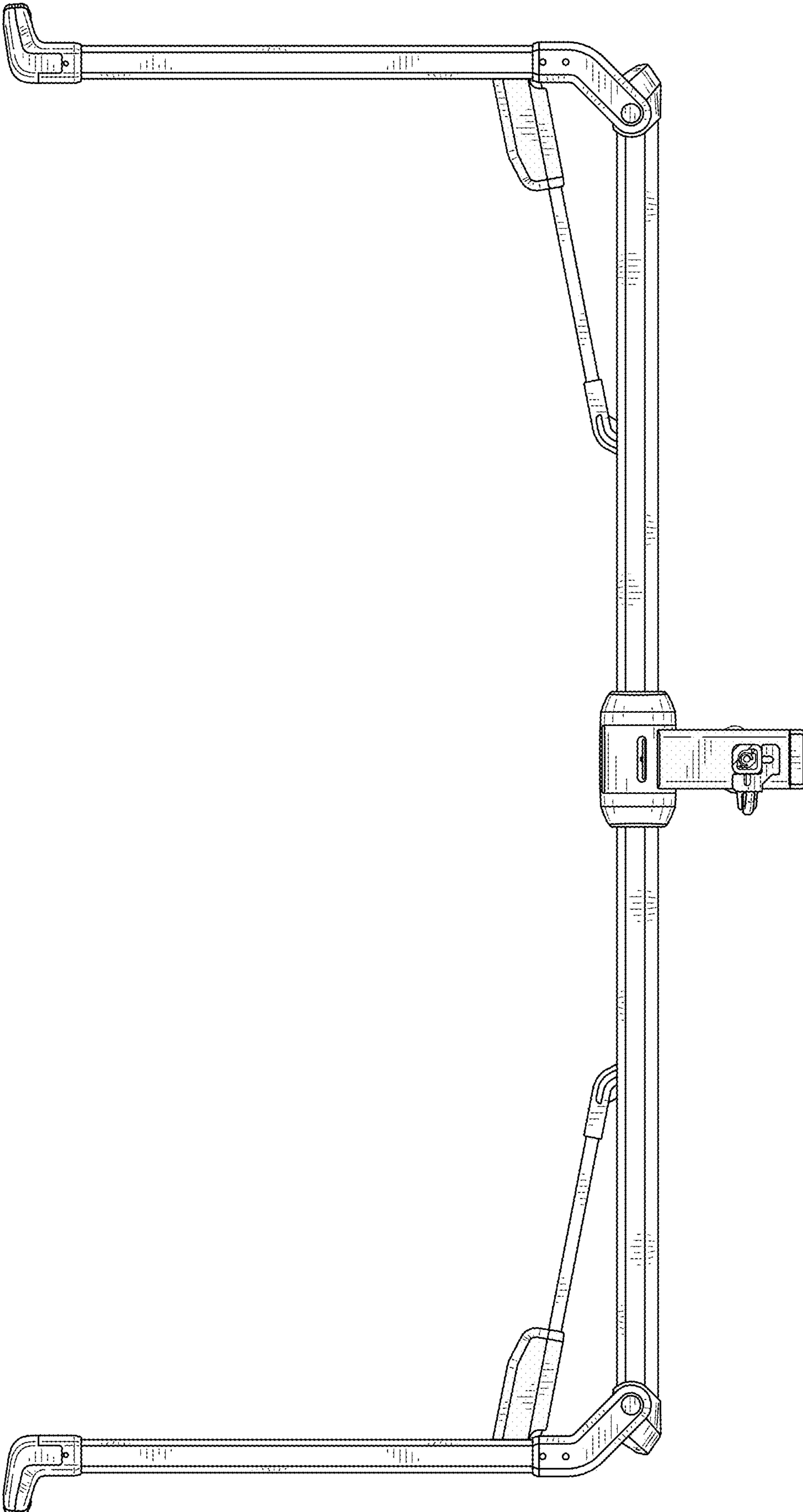


FIG. 3

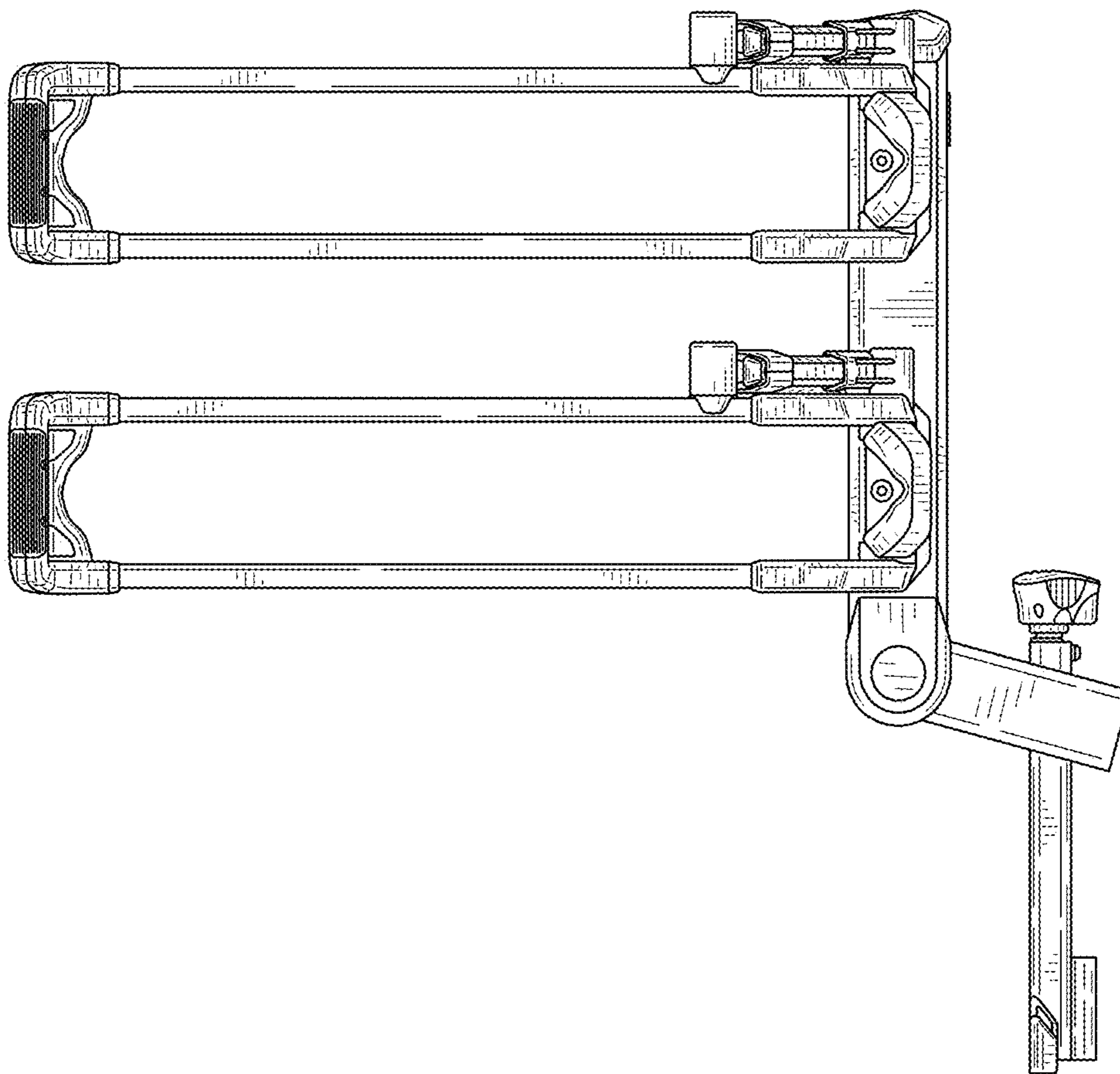


FIG. 4

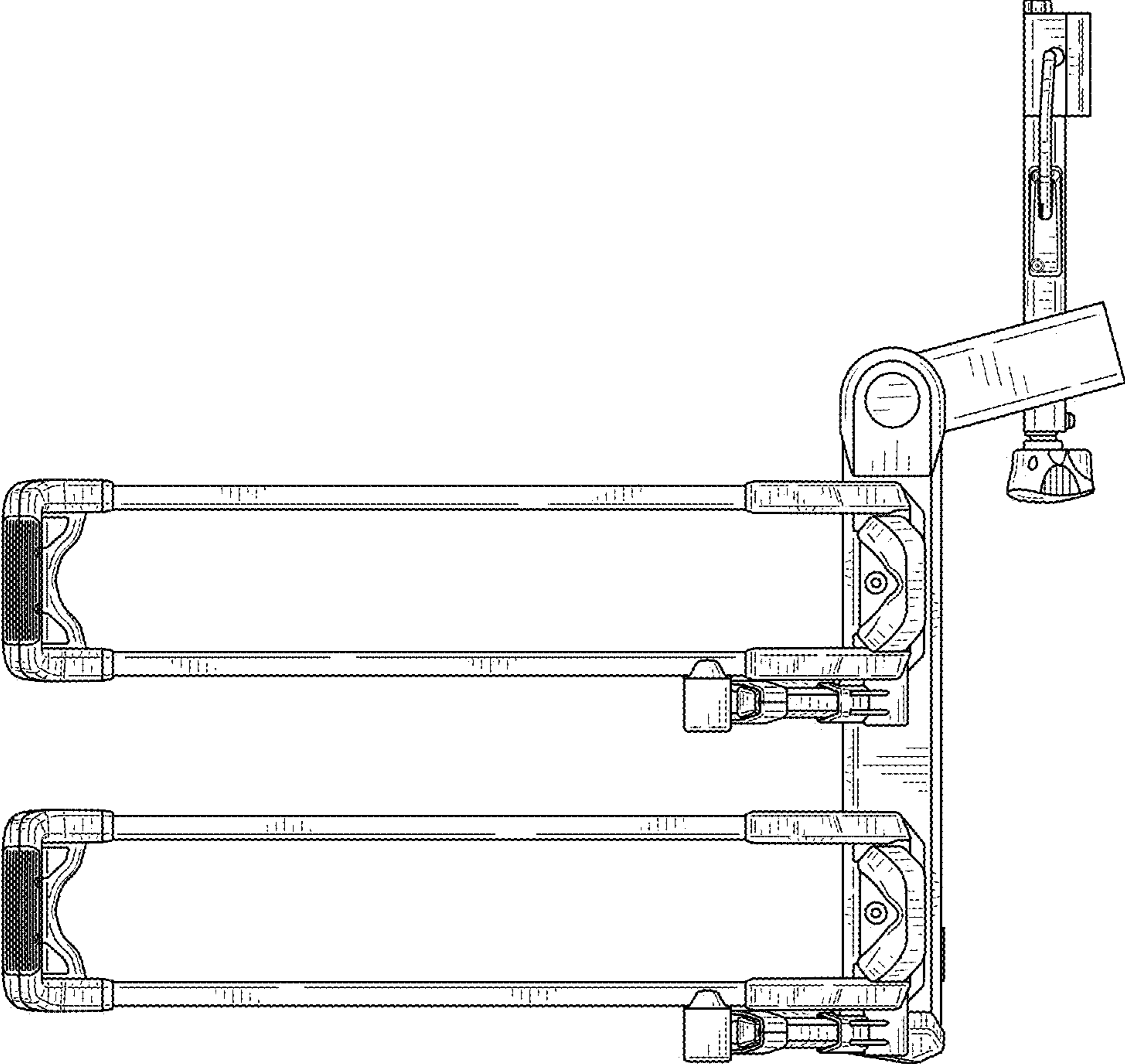


FIG. 5

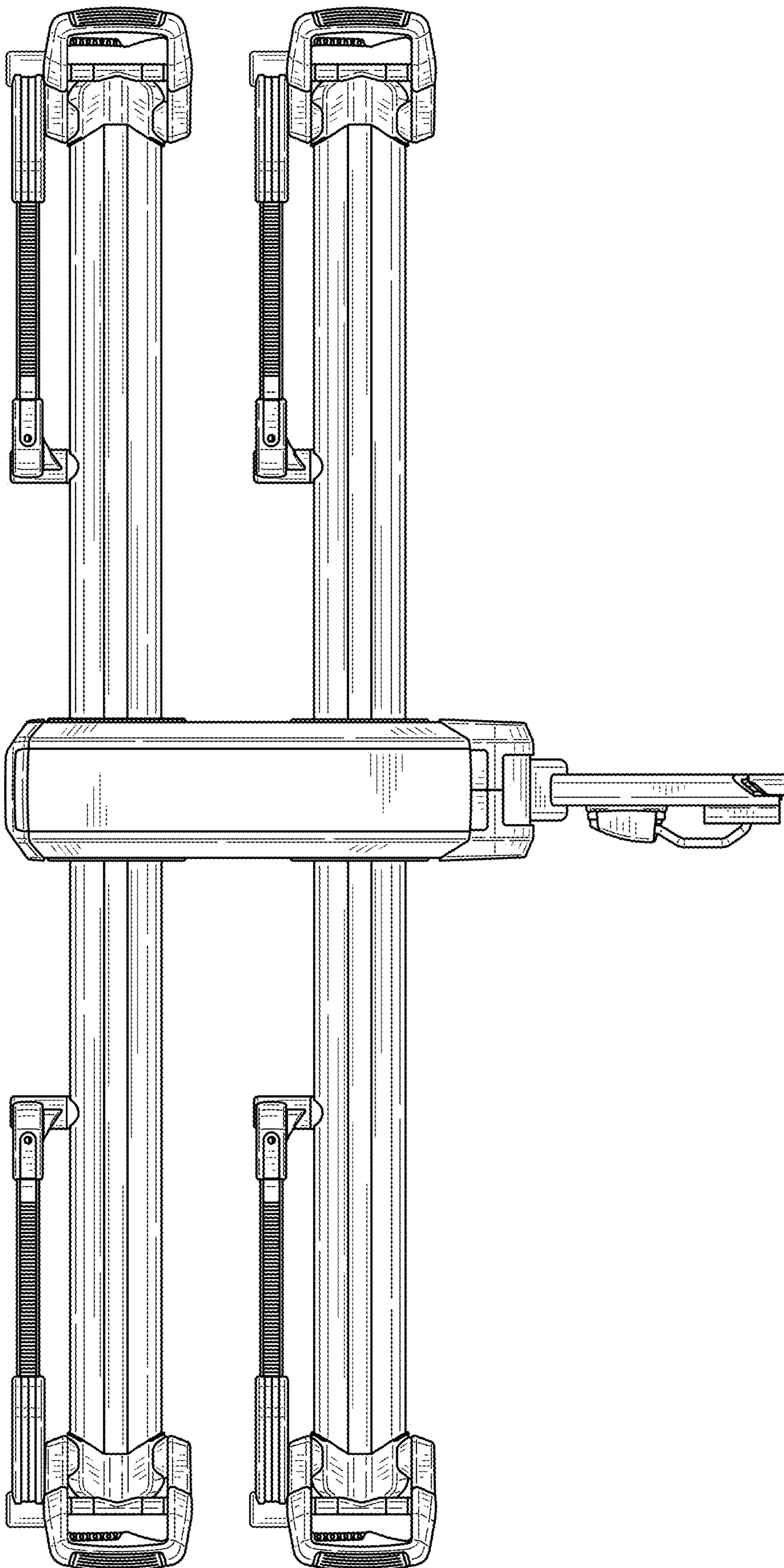


FIG. 6

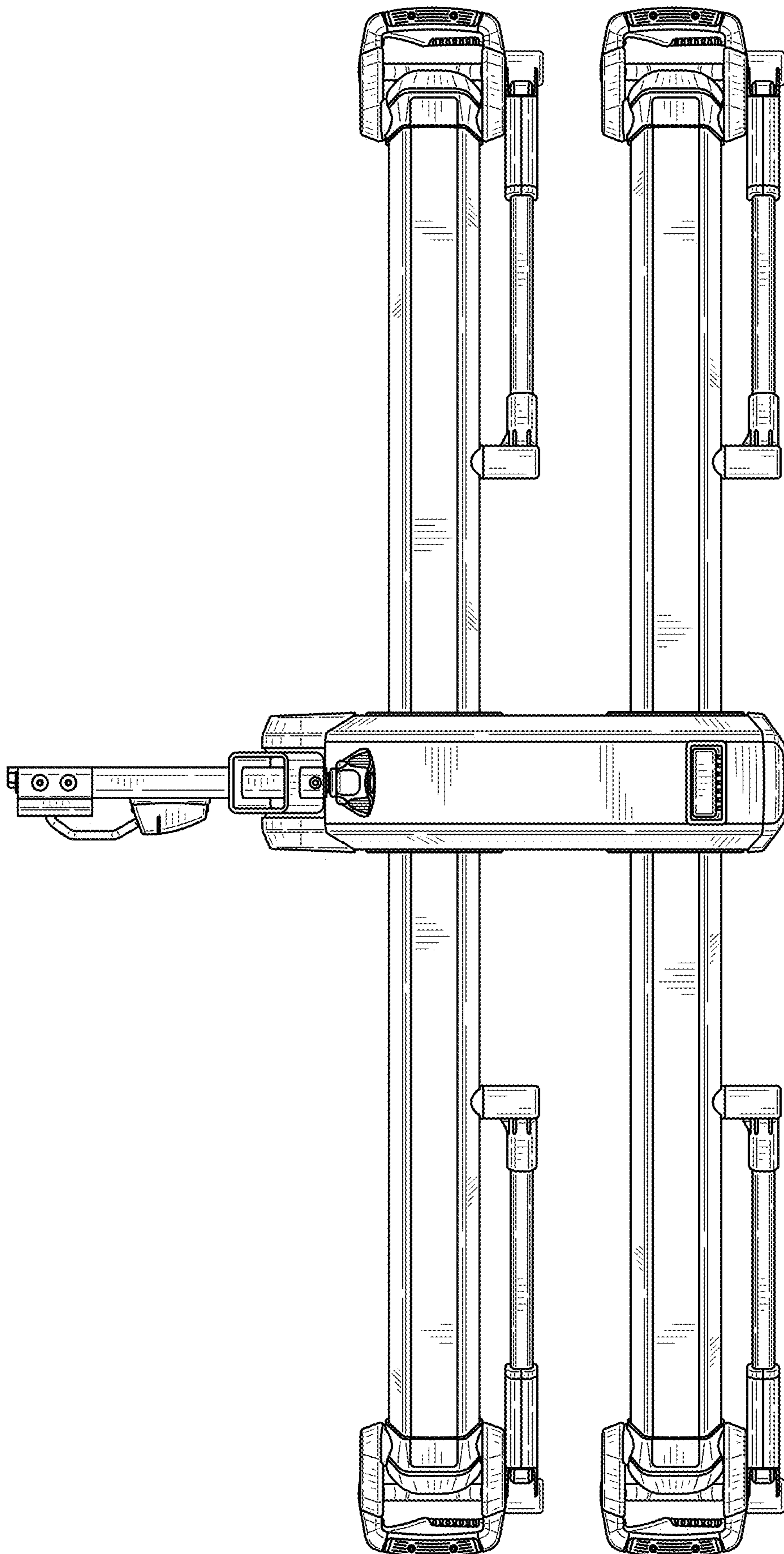


FIG. 7

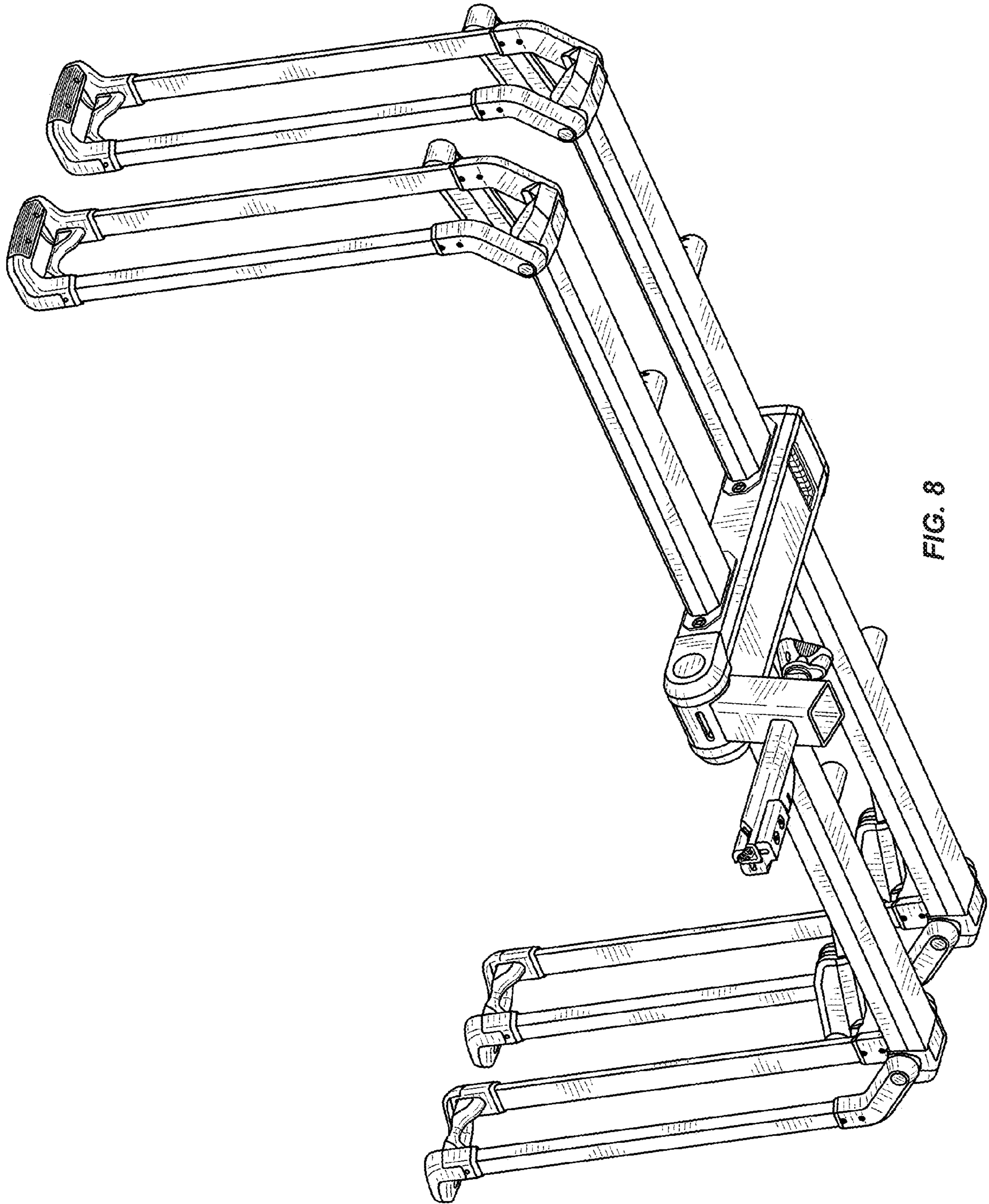


FIG. 8

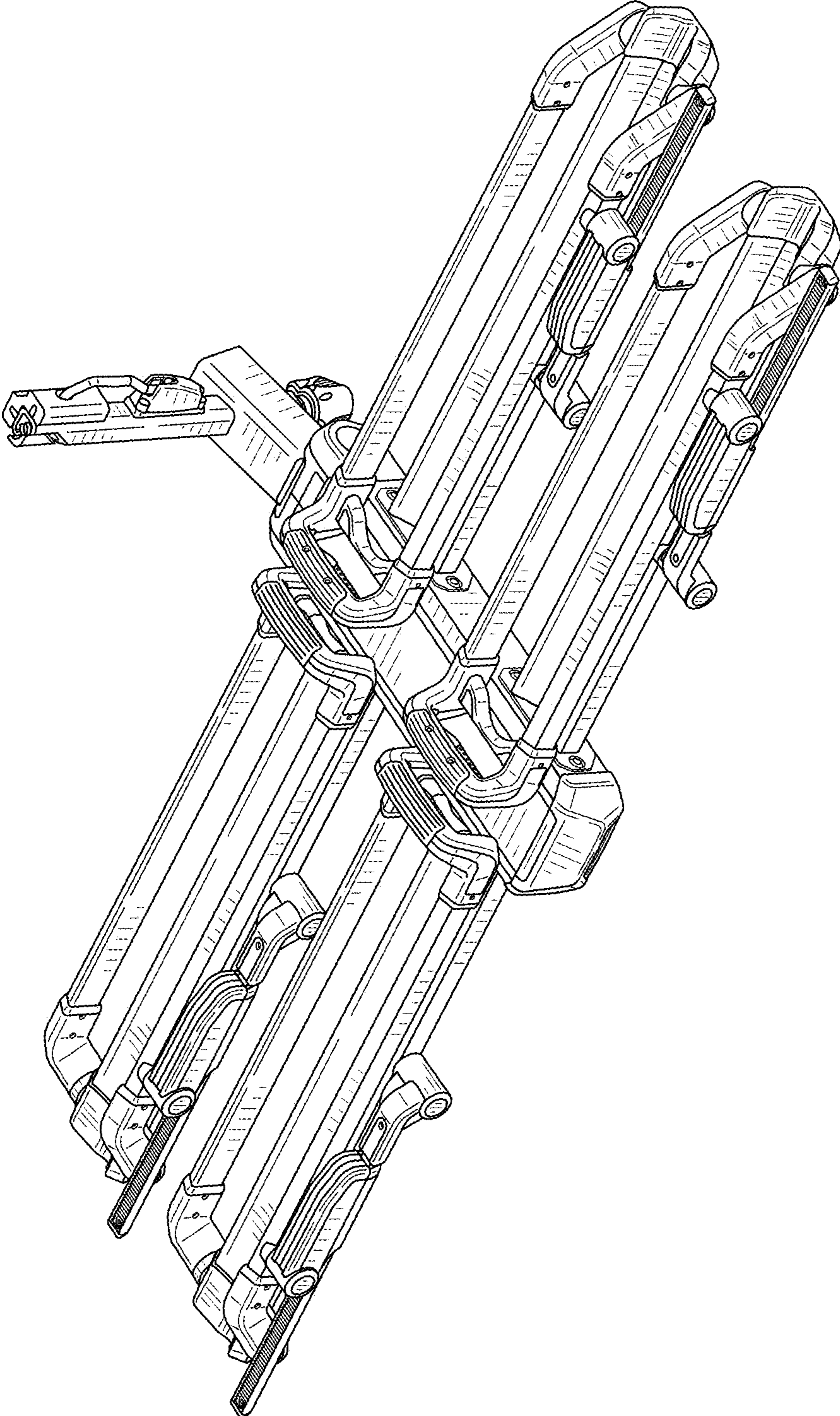


FIG. 9

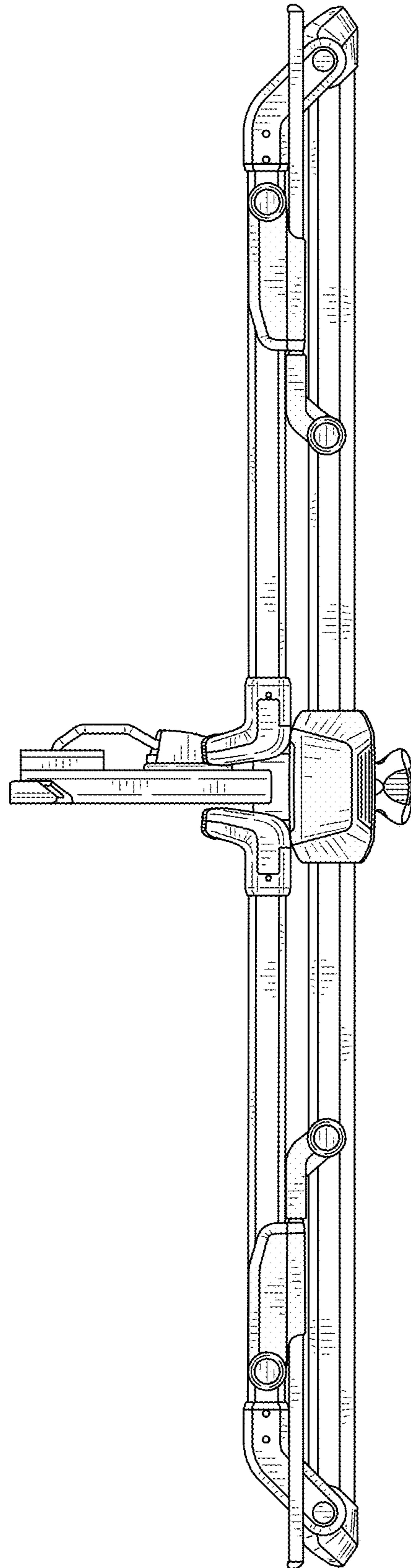


FIG. 10

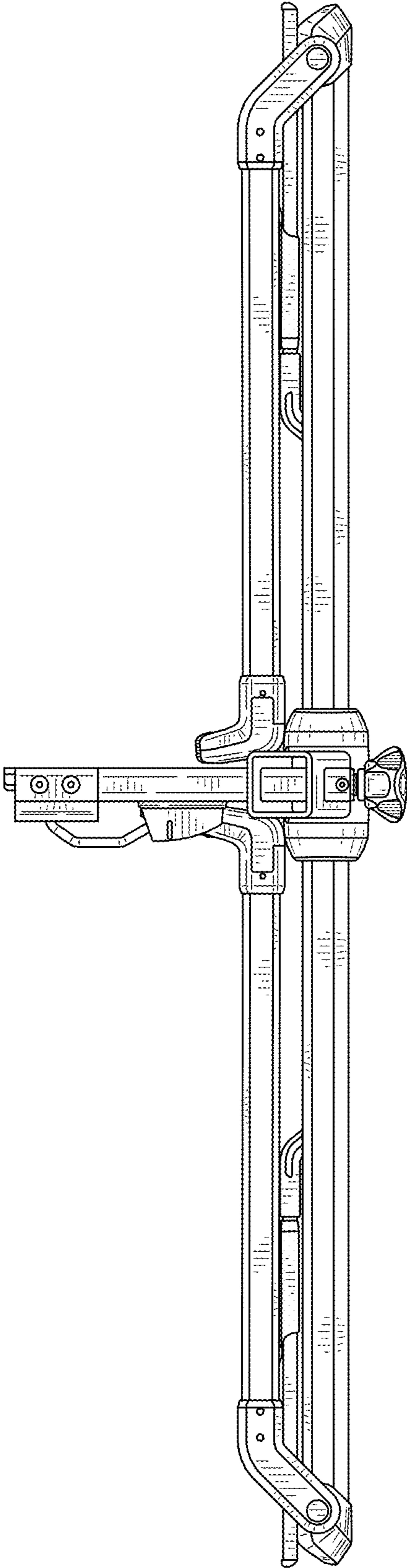


FIG. 11

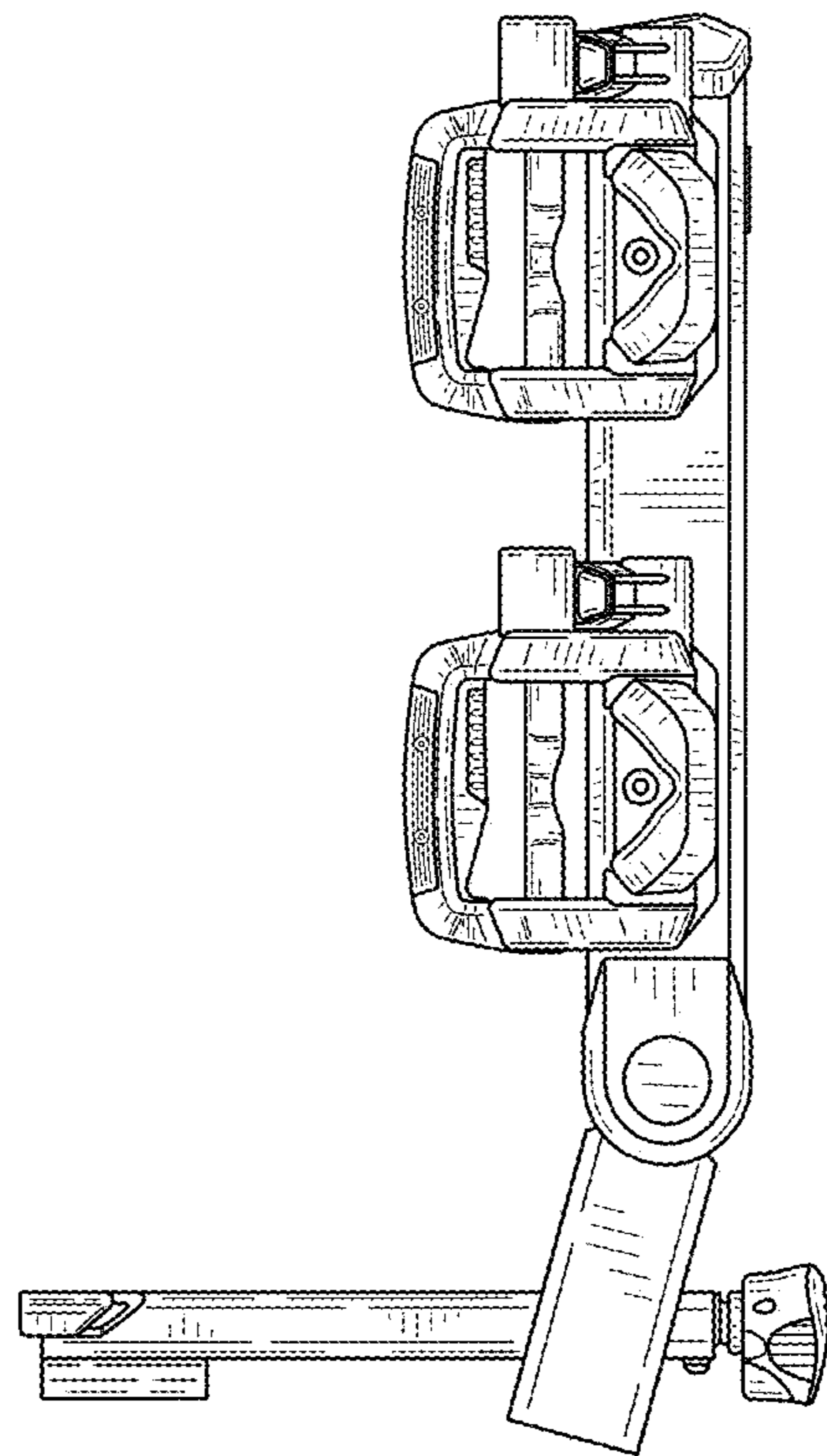


FIG. 12

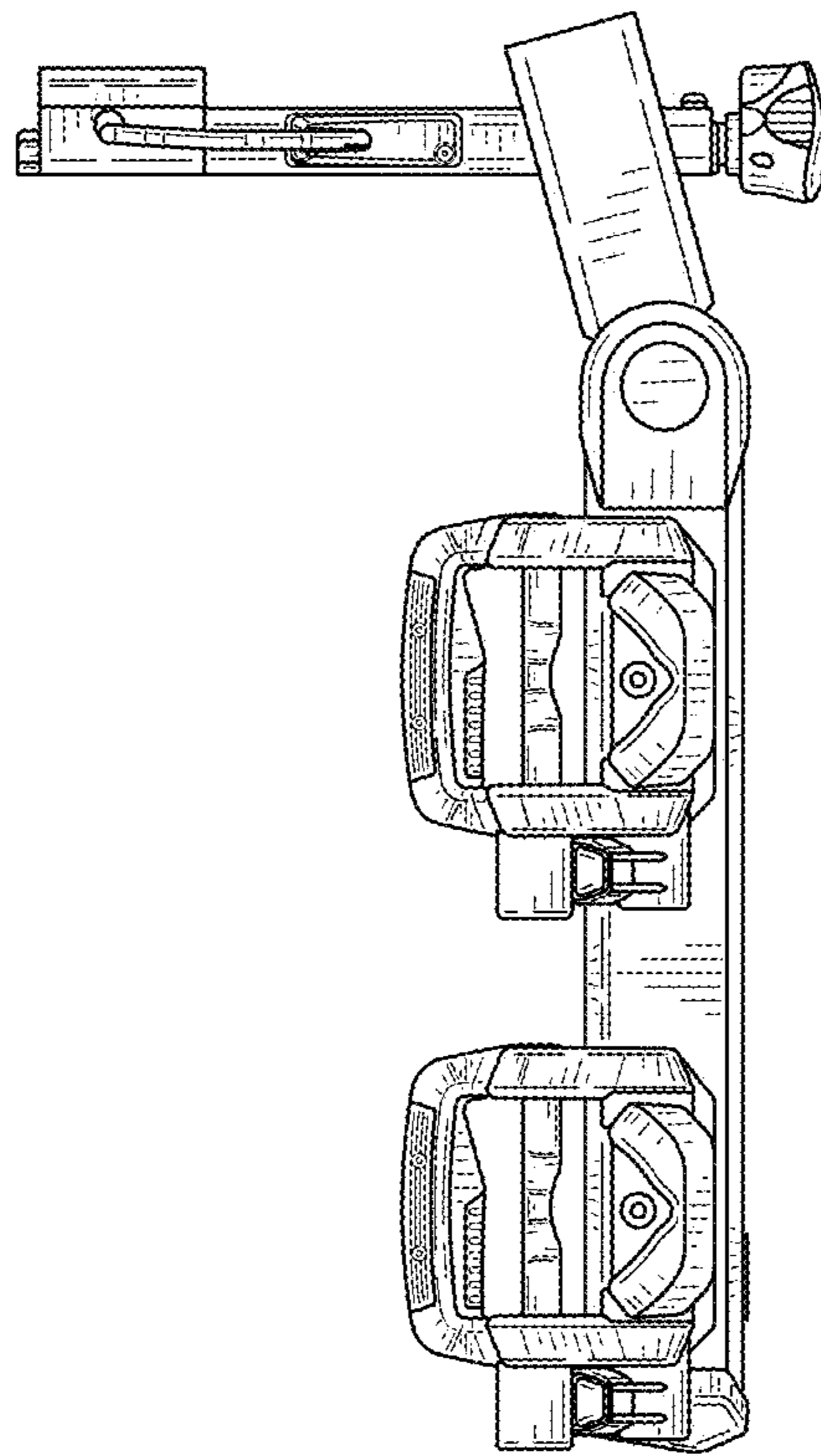


FIG. 13

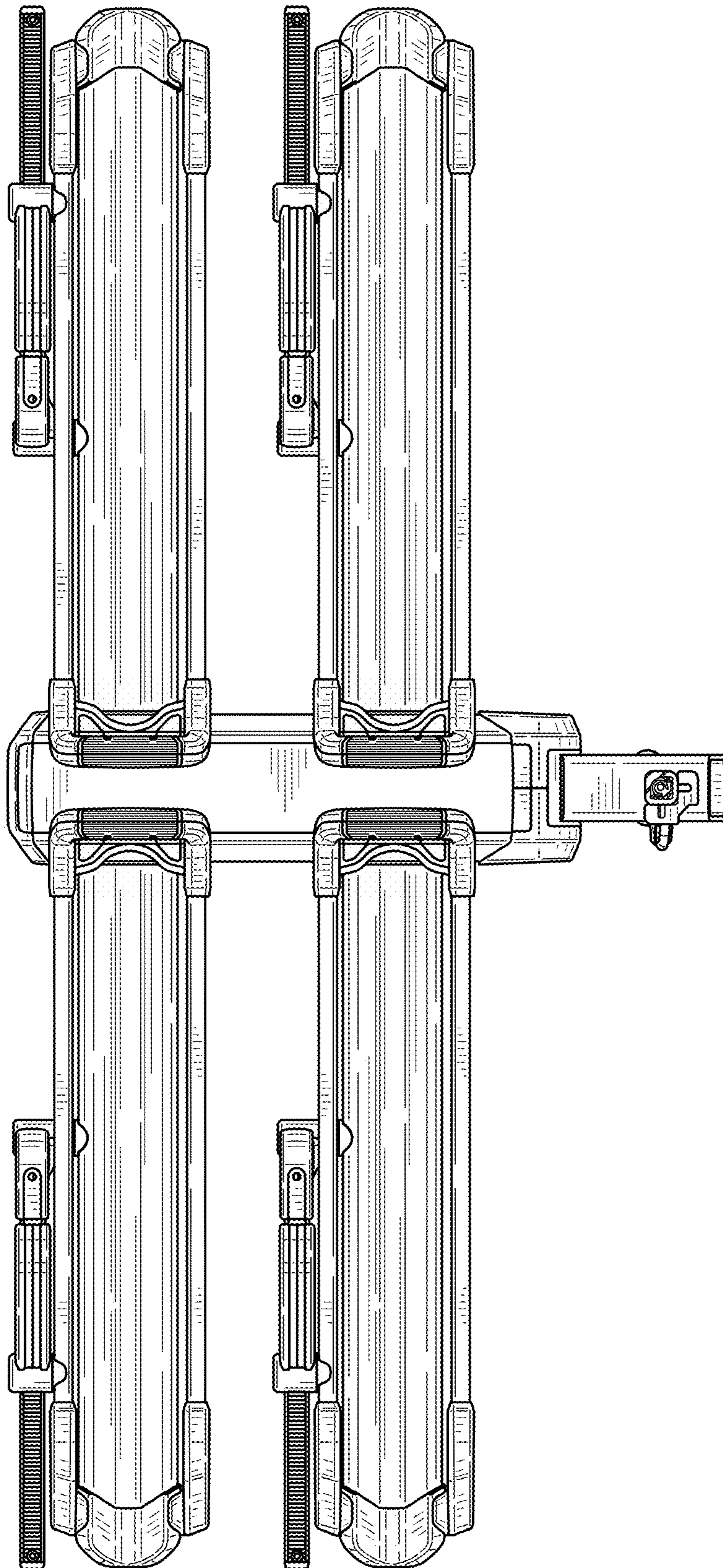


FIG. 14

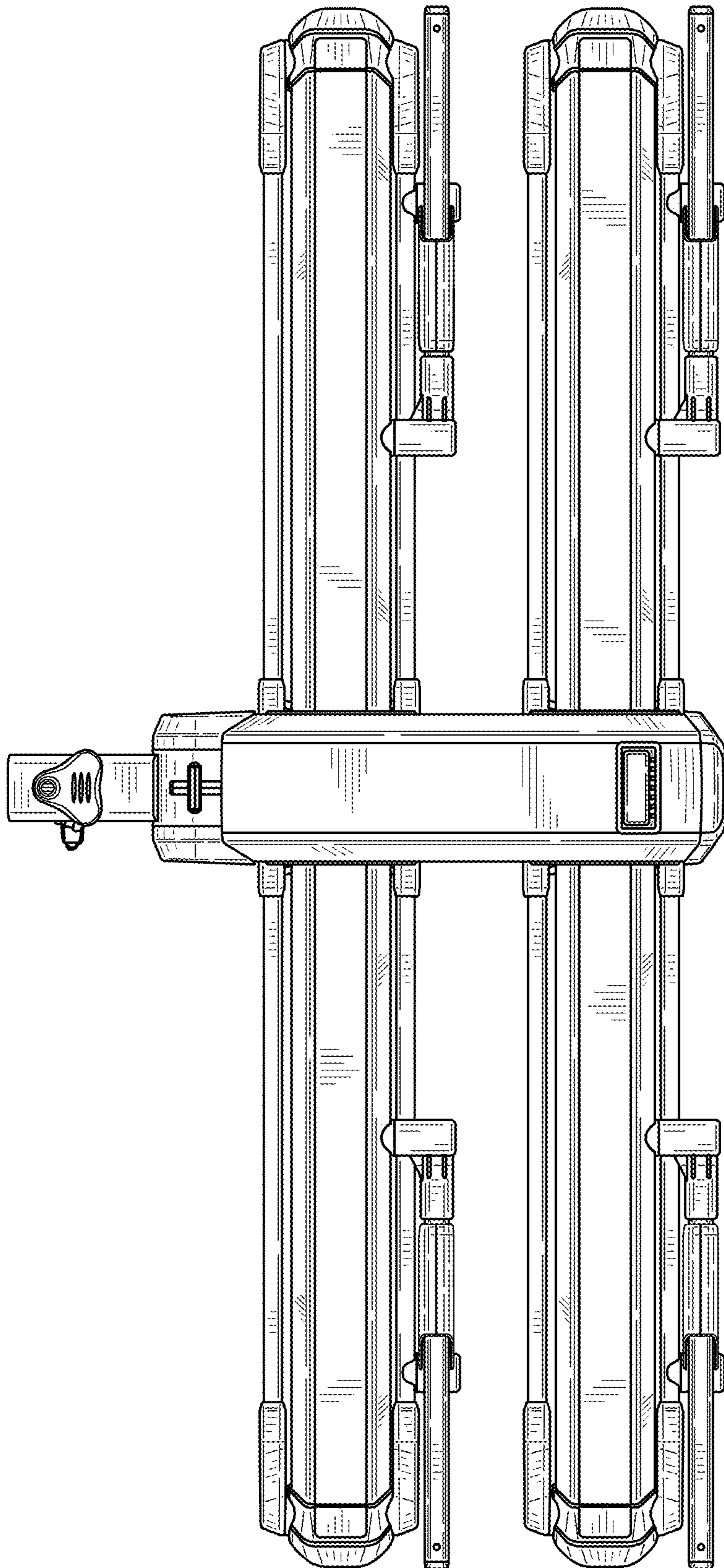


FIG. 15

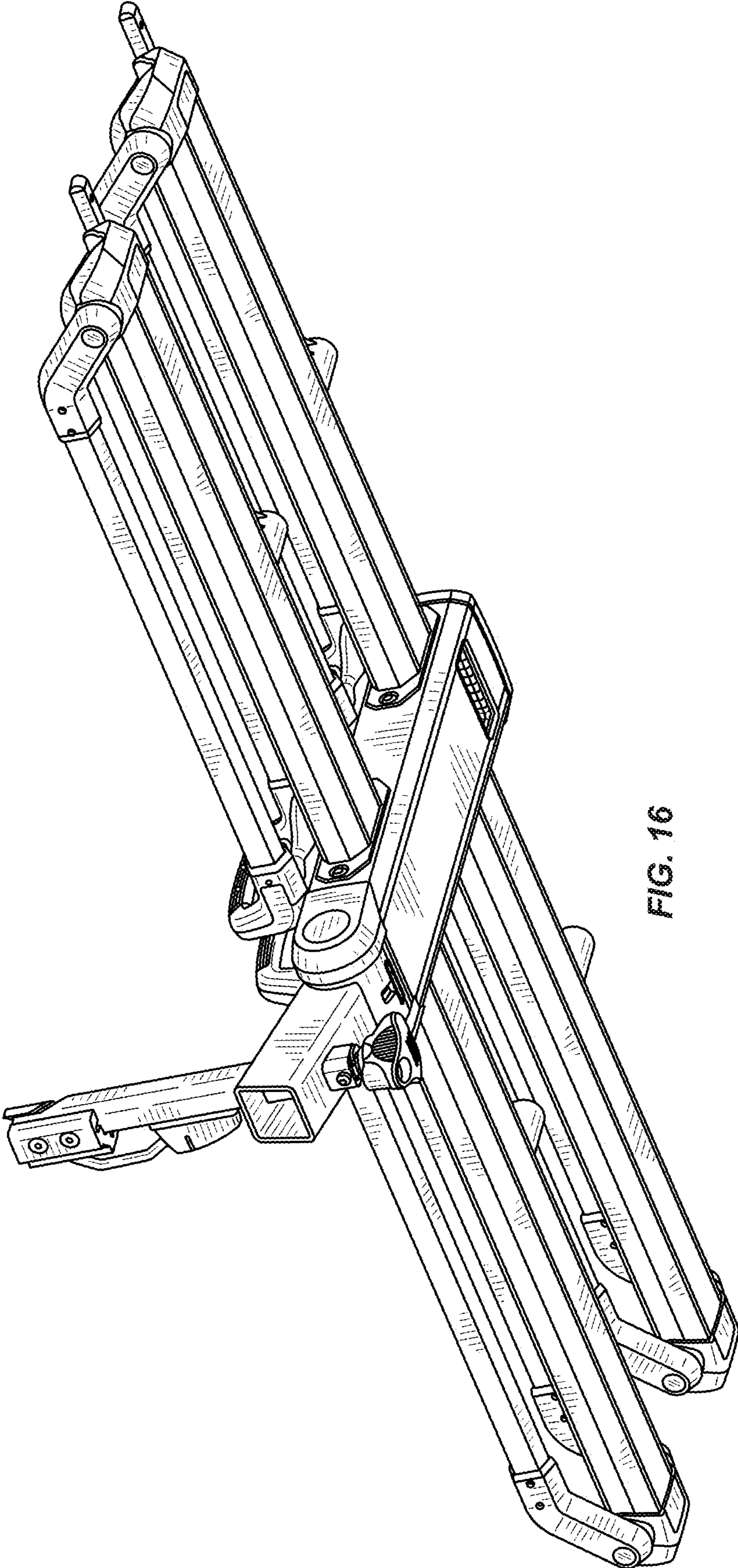


FIG. 16