



US00D877684S

(12) **United States Design Patent**  
**Layan et al.**

(10) **Patent No.:** **US D877,684 S**  
(45) **Date of Patent:** **\*\* Mar. 10, 2020**

(54) **PARAMOTOR**  
(71) Applicant: **ADVENTURE S.A.S.**, Méré (FR)  
(72) Inventors: **Emmanuel Layan**, Abondant (FR);  
**Andrea Testoni**, Elancourt (FR)

4,934,630 A \* 6/1990 Snyder ..... B64C 31/036  
244/13  
5,160,100 A \* 11/1992 Snyder ..... B64C 31/036  
244/13  
6,877,690 B1 \* 4/2005 Bragg ..... B60F 5/02  
244/2

(73) Assignee: **ADVENTURE S.A.S.**, Méré (FR)  
(\*\*) Term: **15 Years**

\* cited by examiner

*Primary Examiner* — Michael A. Pratt

(21) Appl. No.: **35/506,164**

(74) *Attorney, Agent, or Firm* — Young & Thompson

(22) Filed: **May 24, 2018**

(57) **CLAIM**

(80) **Hague Agreement Data**

The ornamental design for a paramotor, as shown and described.

Int. Filing Date: **May 24, 2018**  
Int. Reg. No.: **DM/102207**  
Int. Reg. Date: **May 24, 2018**  
Int. Reg. Pub. Date: **Nov. 30, 2018**

**DESCRIPTION**

(51) **LOC (12) Cl.** ..... **12-07**

Figure 1.1. is a side elevation view of a paramotor showing the new design;

(52) **U.S. Cl.**  
USPC ..... **D12/321**

Figure 1.2 top plan view thereof;

(58) **Field of Classification Search**  
USPC ..... D12/321  
CPC ... B64C 31/036; B64C 31/028; B64D 17/025;  
B64D 17/34  
See application file for complete search history.

Figure 1.3 is a bottom plant view thereof;

Figure 1.4 is a front perspective view thereof;

Figure 1.5 is a front elevation view thereof; and

Figure 1.6 is a rear elevation view thereof.

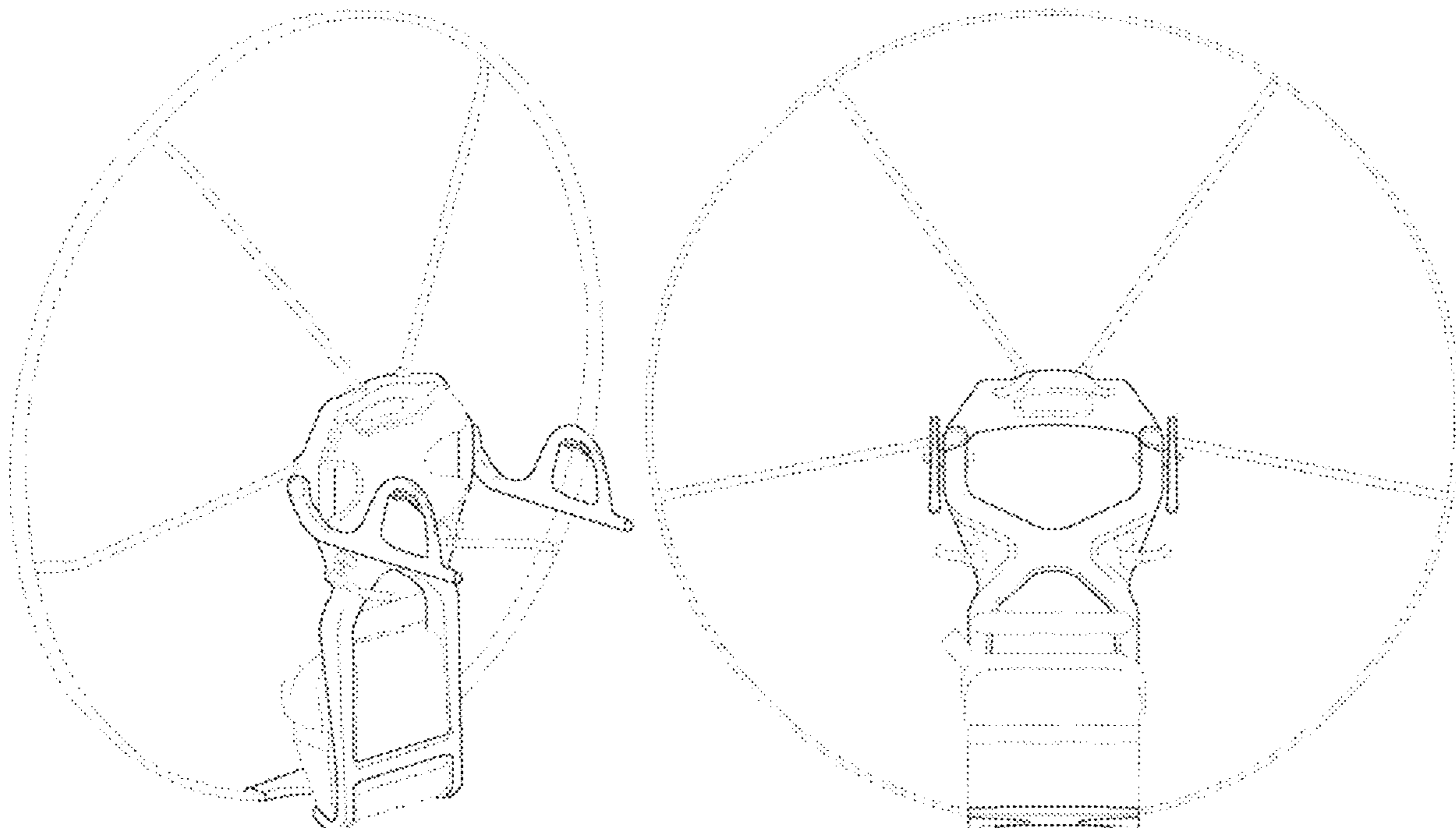
(56) **References Cited**

The portions of the paramotor shown in broken lines form no part of the claim.

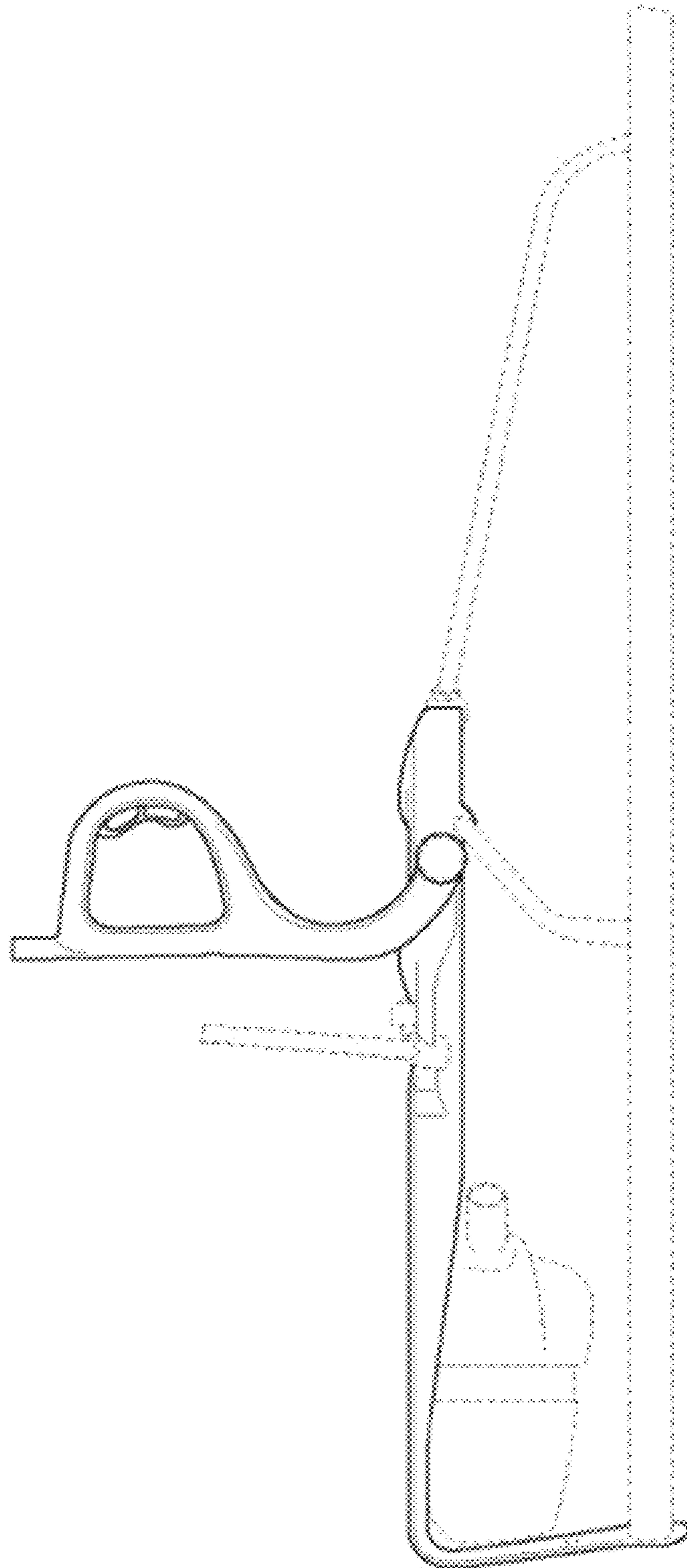
**U.S. PATENT DOCUMENTS**

4,657,207 A \* 4/1987 Poling ..... B60F 5/02  
180/7.4  
D290,951 S \* 7/1987 Hanback ..... D12/321

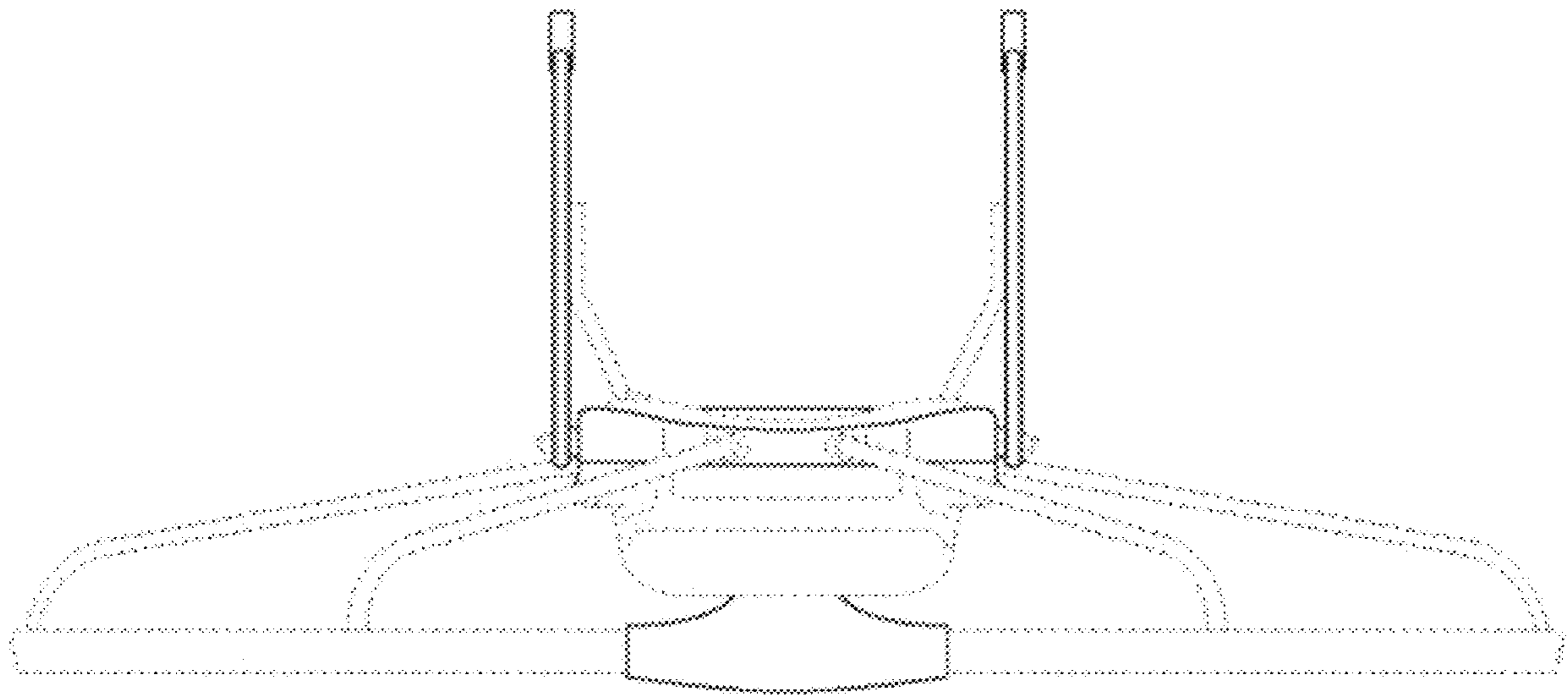
**1 Claim, 6 Drawing Sheets**



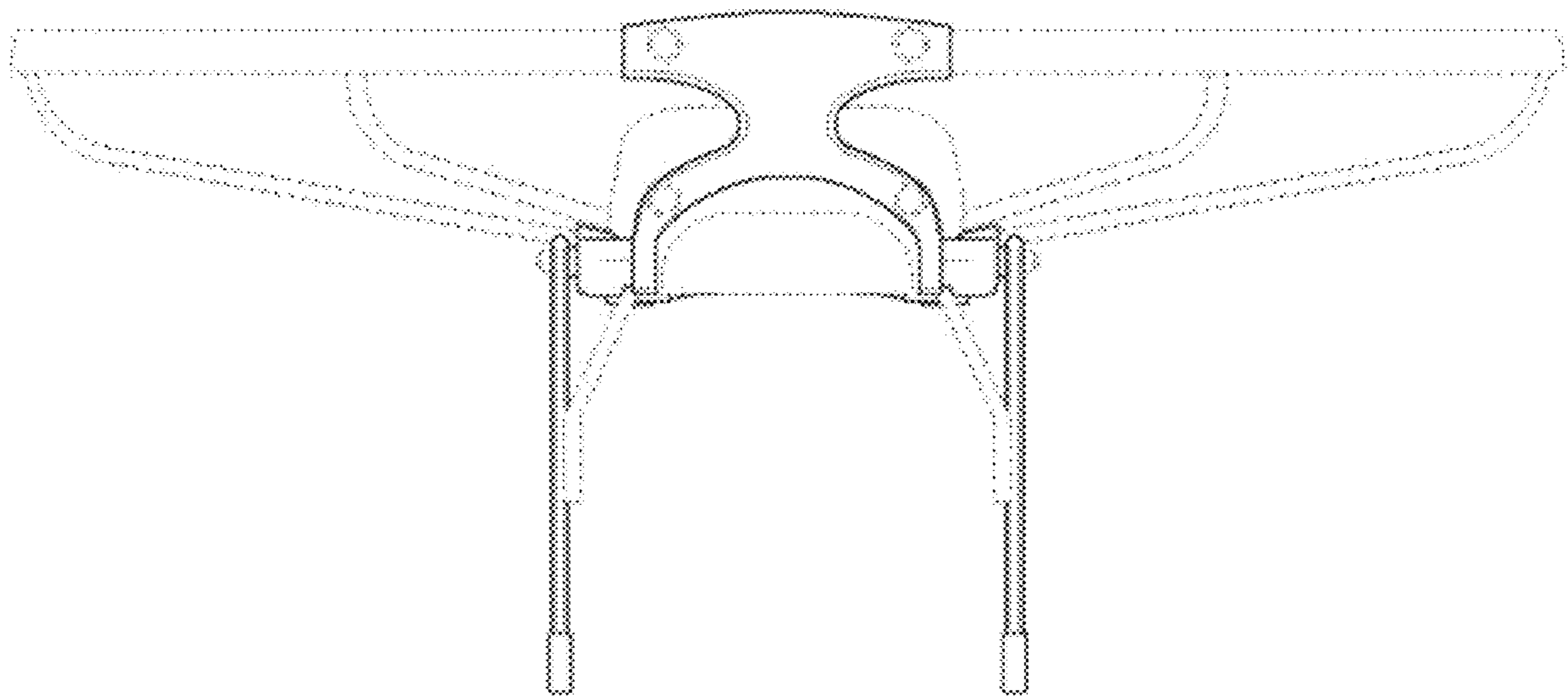
# 1.1



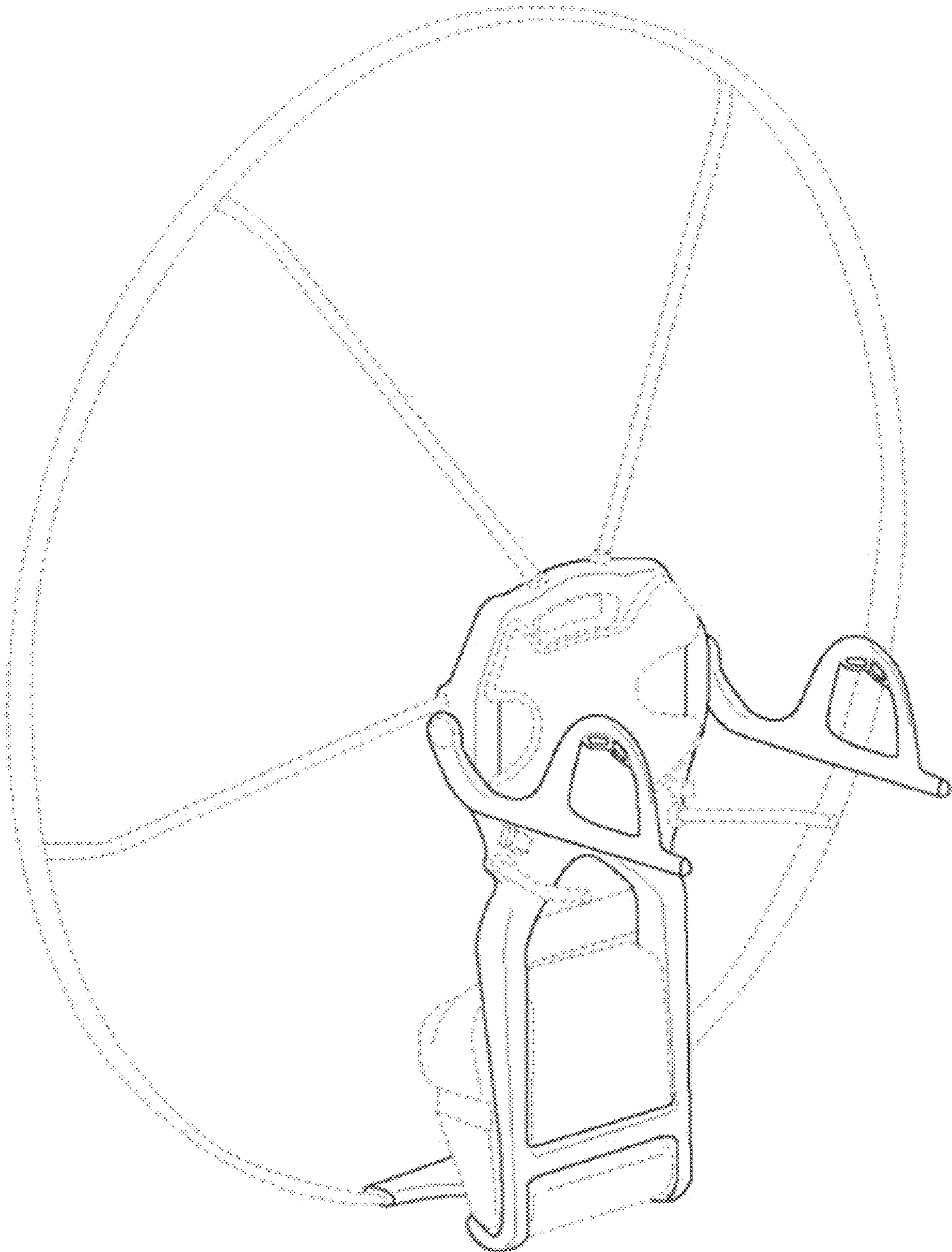
1.2



1.3

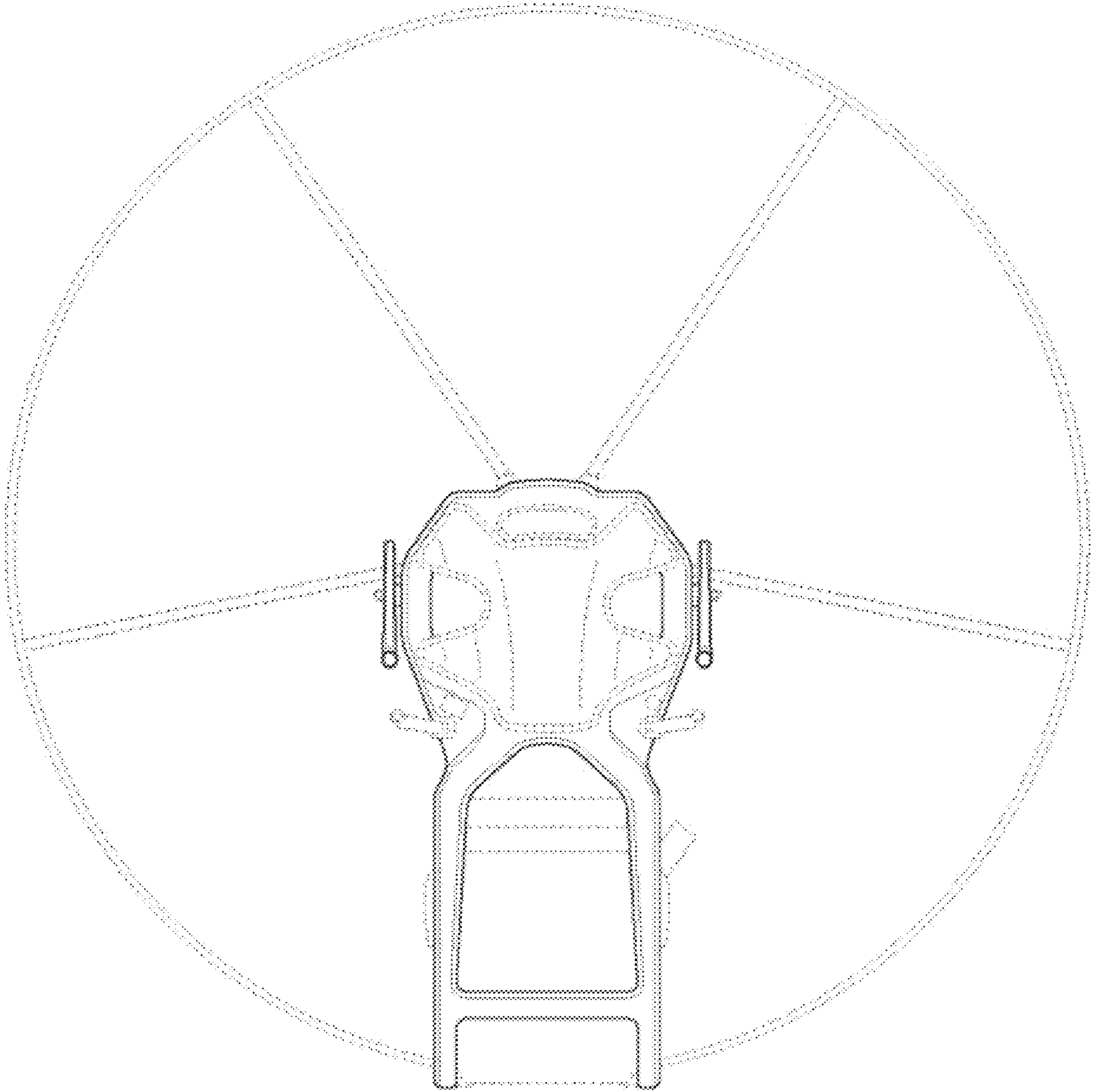


# 1.4





1.5



1.6

