



US00D877682S

(12) **United States Design Patent**
Nakajima

(10) **Patent No.:** **US D877,682 S**

(45) **Date of Patent:** **** Mar. 10, 2020**

(54) **WHEEL FOR AN AUTOMOBILE**

(71) Applicant: **HONDA MOTOR CO., LTD.**, Tokyo (JP)

(72) Inventor: **Ryota Nakajima**, Wako (JP)

(73) Assignee: **HONDA MOTOR CO., LTD.**, Tokyo (JP)

(**) Term: **15 Years**

(21) Appl. No.: **29/674,790**

(22) Filed: **Dec. 26, 2018**

(30) **Foreign Application Priority Data**

Jun. 28, 2018 (JP) 2018-014253

(51) **LOC (12) Cl.** **12-16**

(52) **U.S. Cl.**
USPC **D12/211**

(58) **Field of Classification Search**

USPC D12/204–213; D21/563
CPC B60B 7/00; B60B 7/02; B60B 7/04; B60B 7/01;
B60B 7/06; B60B 3/02; B60B 3/04; B60B 3/06;
B60B 3/10; B60B 1/00; B60B 1/08; B60B 1/10; B60B 1/12
See application file for complete search history.

(56) **References Cited**

U.S. PATENT DOCUMENTS

D432,479 S * 10/2000 Lee D12/209
D494,124 S * 8/2004 Aiello D12/211
D504,860 S * 5/2005 Kushartanto D12/211

D527,325 S * 8/2006 Nagashima D12/209
D716,712 S * 11/2014 Lemke D12/211
D725,571 S * 3/2015 Kobayashi D12/211
D752,499 S * 3/2016 Sze D12/211
D769,164 S * 10/2016 Valencia Pollex D12/209
D774,440 S * 12/2016 Johnson D12/211
D788,674 S * 6/2017 Mielke D12/209
D789,863 S * 6/2017 Yoneyama D12/209
D791,044 S * 7/2017 Johnson D12/209
D791,054 S * 7/2017 Valencia Pollex D12/211
D804,391 S * 12/2017 Ishii D12/209
D838,652 S * 1/2019 Kato D12/209
D841,554 S * 2/2019 Tamura D12/209
D856,892 S * 8/2019 Zhao D12/209
D859,272 S * 9/2019 Fischer D12/211
D860,104 S * 9/2019 Kikuchi D12/211
D862,352 S * 10/2019 Bjerke D12/209
D864,834 S * 10/2019 Stopka D12/211

* cited by examiner

Primary Examiner — Stacia A Cadmus

(74) *Attorney, Agent, or Firm* — Westerman, Hattori, Daniels & Adrian, LLP

(57) **CLAIM**

The ornamental design for a wheel for an automobile, as shown and described.

DESCRIPTION

FIG. 1 is a perspective view of a wheel for an automobile; and, FIG. 2 is a front elevation view thereof. The broken lines in the drawings illustrate portions of the wheel for an automobile that form no part of the claimed design.

1 Claim, 2 Drawing Sheets

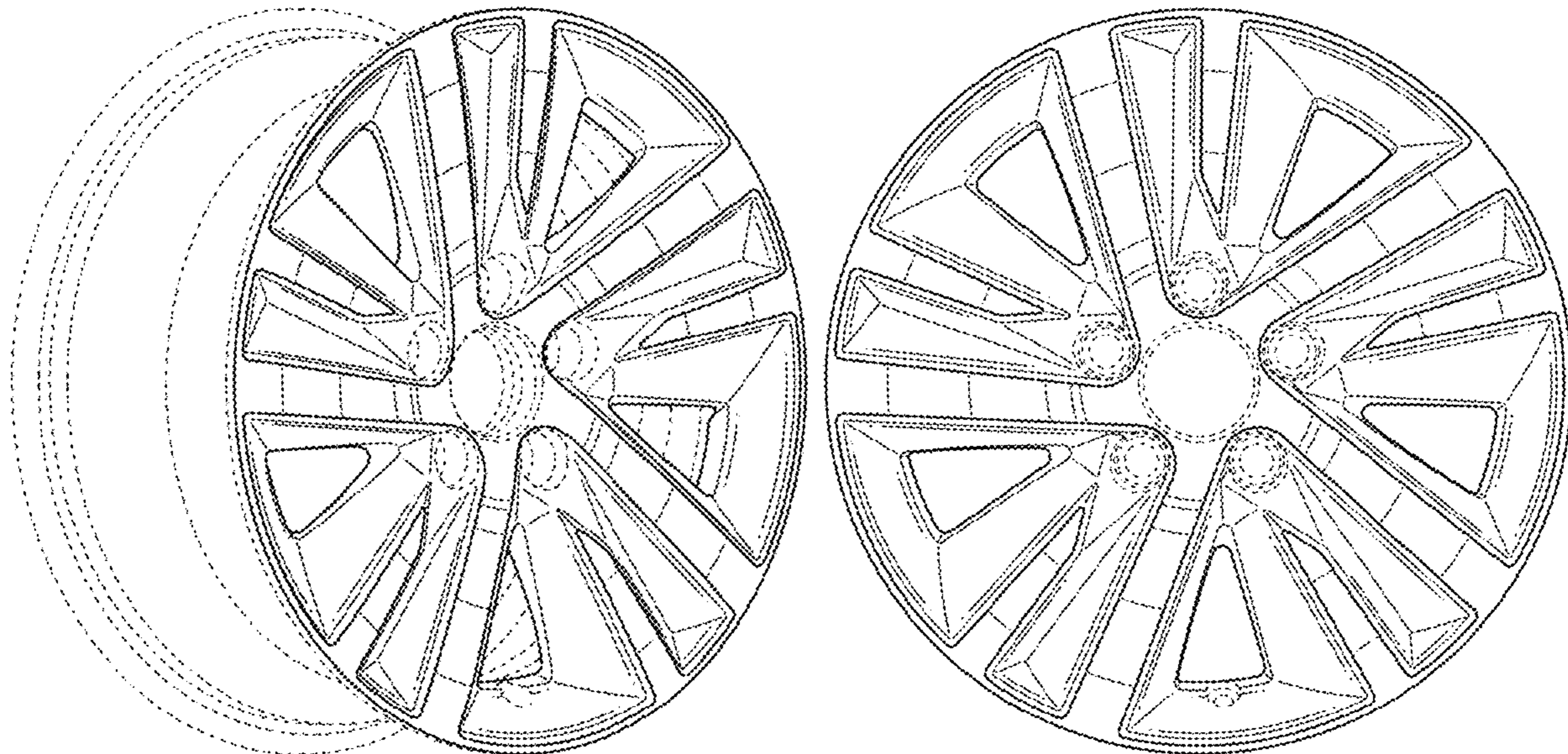


FIG. 1

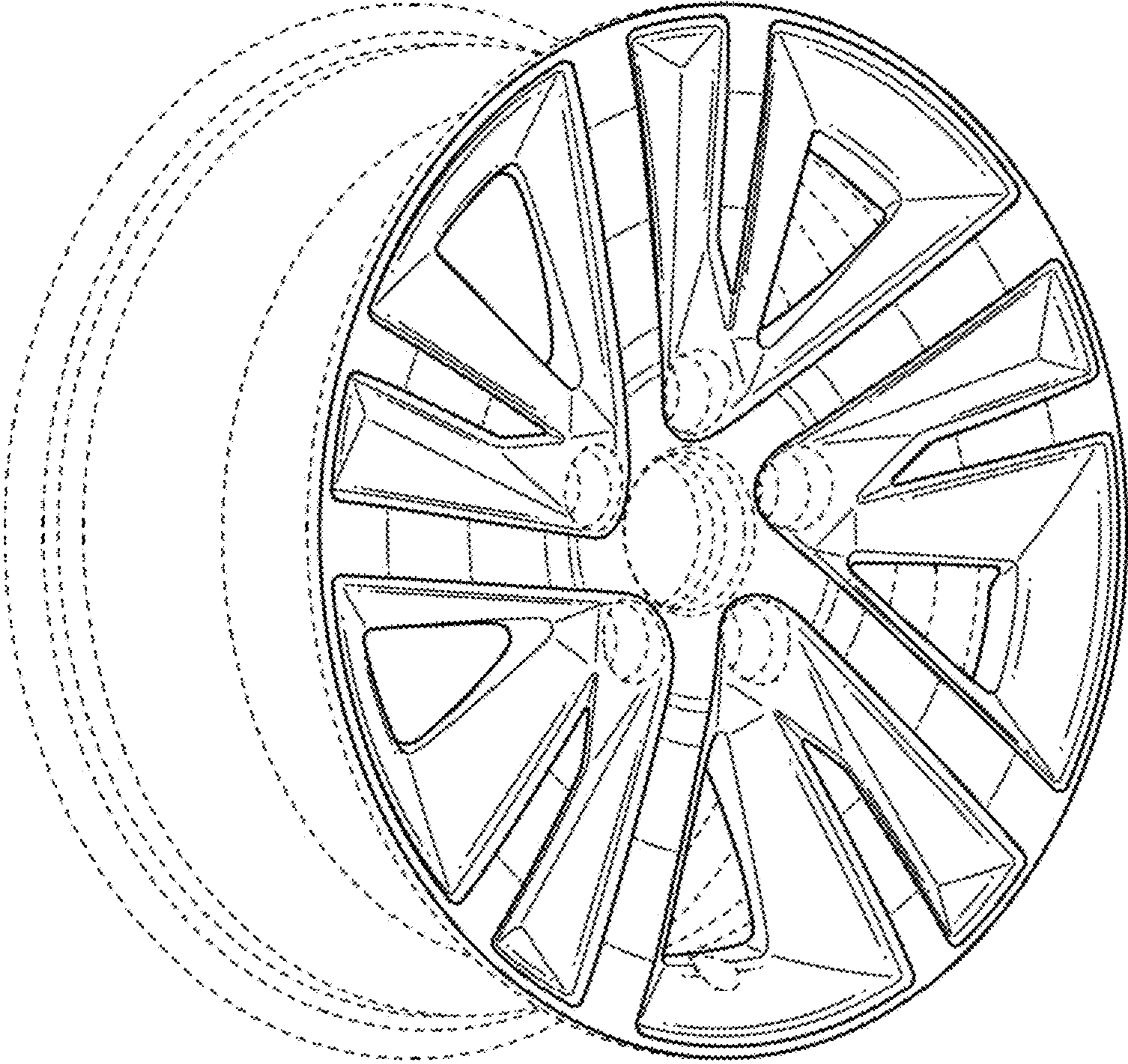


FIG. 2

