



US00D877677S

(12) **United States Design Patent**
Pollard

(10) **Patent No.:** **US D877,677 S**

(45) **Date of Patent:** **** Mar. 10, 2020**

(54) **WHEEL FOR A VEHICLE**

(71) Applicant: **Jaguar Land Rover Limited**, Whitley,
Coventry (GB)

(72) Inventor: **Chris Pollard**, Coventry (GB)

(73) Assignee: **Jaguar Land Rover Limited**, Whitley,
Coventry (GB)

(**) Term: **15 Years**

(21) Appl. No.: **29/656,453**

(22) Filed: **Jul. 12, 2018**

(30) **Foreign Application Priority Data**

Apr. 30, 2018 (EM) 005253499

(51) **LOC (12) Cl.** **12-16**

(52) **U.S. Cl.**
USPC **D12/209**

(58) **Field of Classification Search**
USPC D12/204–213
CPC B60B 7/00; B60B 7/02; B60B 7/04; B60B
7/01; B60B 7/06; B60B 3/02; B60B 3/04;
B60B 3/06; B60B 3/10; B60B 1/00;
B60B 1/08; B60B 1/10; B60B 1/12
See application file for complete search history.

(56) **References Cited**

U.S. PATENT DOCUMENTS

D368,885 S * 4/1996 Wagner D12/209
D391,543 S * 3/1998 Renkert D12/209

D426,184 S * 6/2000 Goplen D12/209
D455,993 S * 4/2002 Ayoub D12/211
D469,048 S * 1/2003 van Hooydonk D12/209
D492,927 S * 7/2004 Fitzgerald D12/211
D510,554 S * 10/2005 Markefka D12/211
D520,431 S * 5/2006 Truebsbach D12/209
D530,252 S * 10/2006 Gabath D12/209
D540,238 S * 4/2007 Sycha D12/209
D540,240 S * 4/2007 Kountouras D12/211
D723,987 S * 3/2015 Kito D12/209
D738,279 S * 9/2015 Dionisopoulos D12/209
D760,140 S * 6/2016 Chung D12/209
D781,198 S * 3/2017 Owens D12/209
D782,952 S * 4/2017 Ninov D12/209
D824,317 S * 7/2018 Harriton D12/211
D853,932 S * 7/2019 Chung D12/211

* cited by examiner

Primary Examiner — Stacia A Cadmus

(74) *Attorney, Agent, or Firm* — Wood Herron & Evans
LLP

(57) **CLAIM**

The ornamental design for a wheel for a vehicle, as shown
and described.

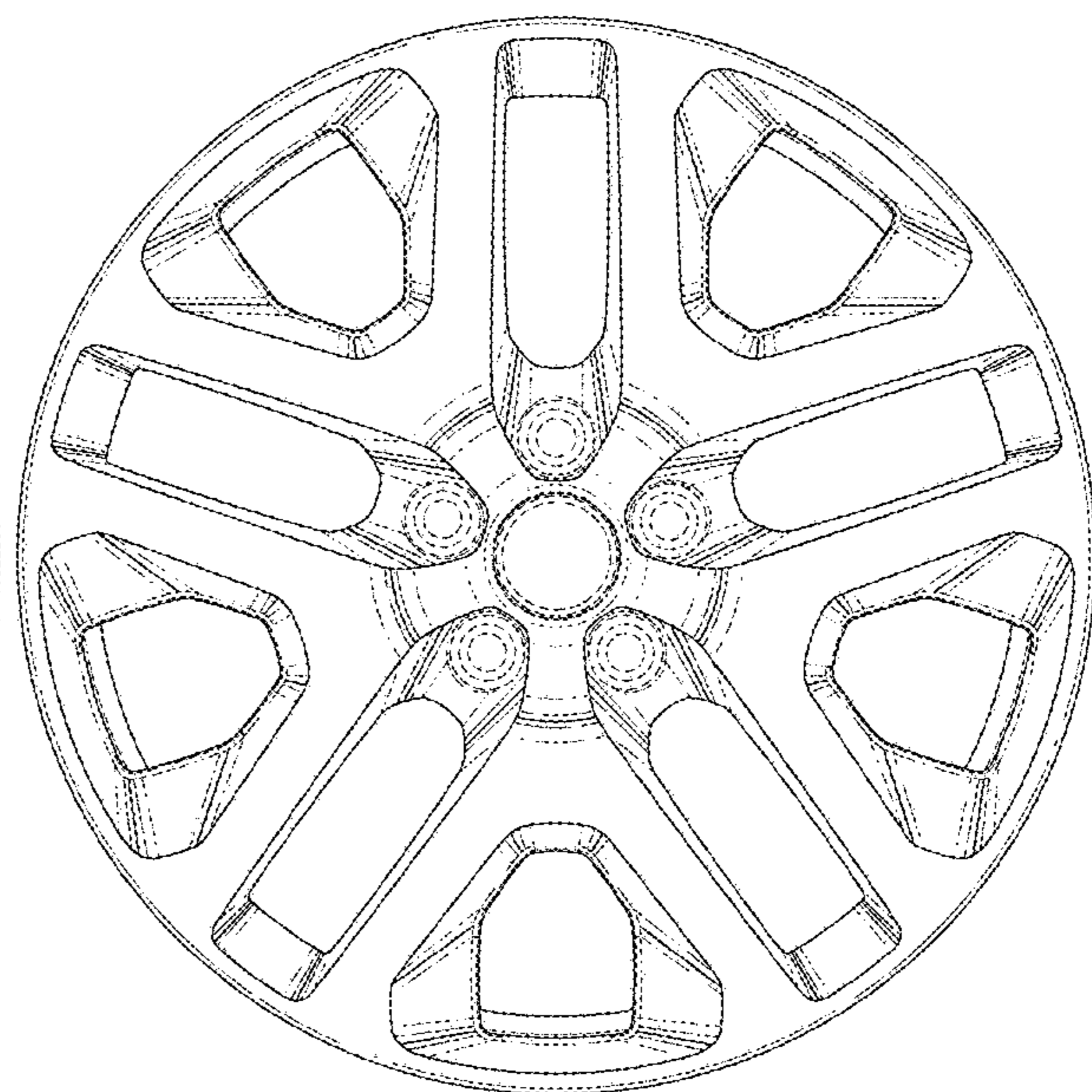
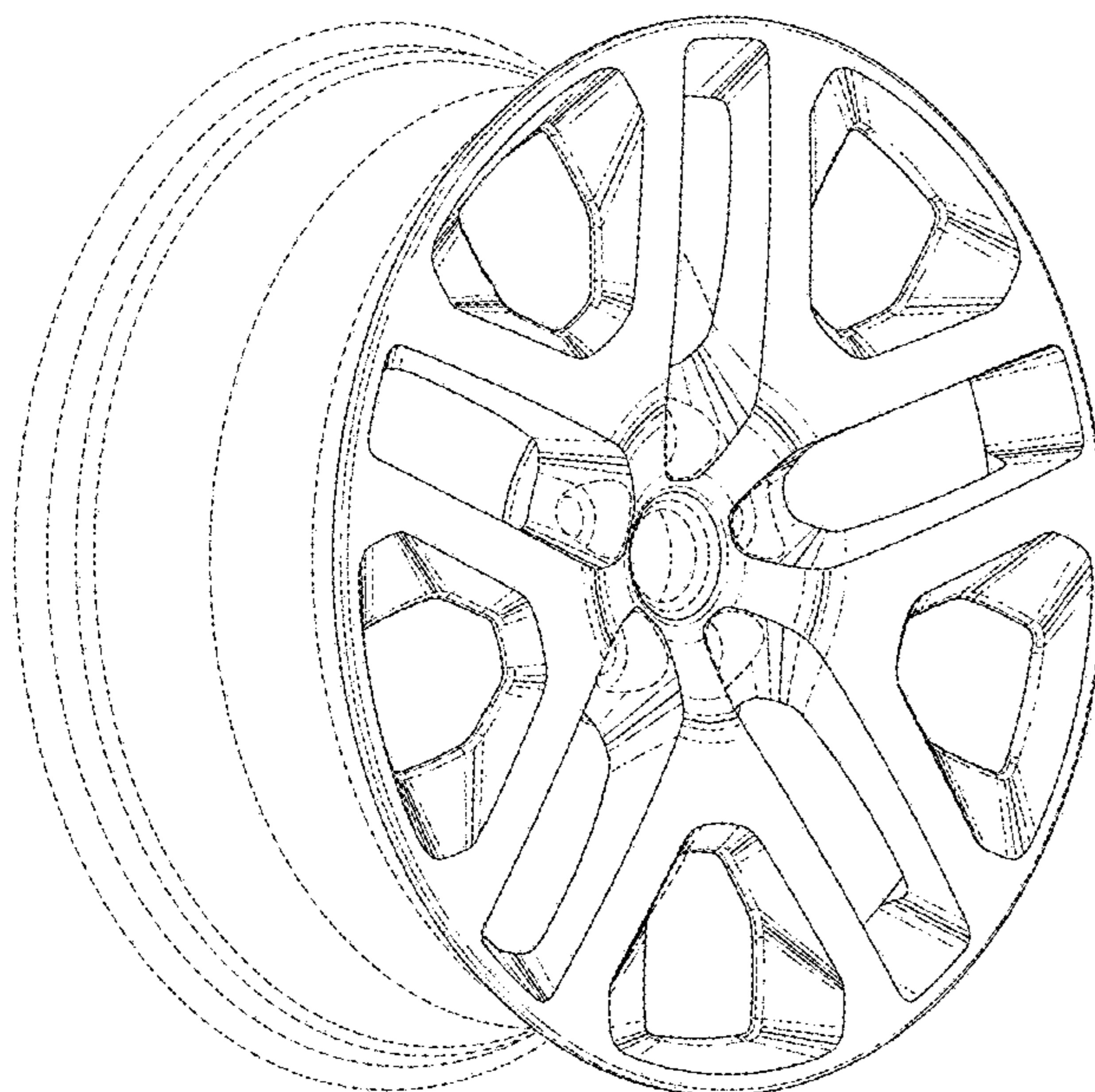
DESCRIPTION

FIG. 1 is a front left perspective view of a wheel for a vehicle
according to the present invention.

FIG. 2 is a front view of the wheel shown in FIG. 1; and,
FIG. 3 is a left side view thereof, the right side view being
a mirror image thereof.

The broken lines form no part of the claimed design, but are
instead included to show environmental structure.

1 Claim, 3 Drawing Sheets



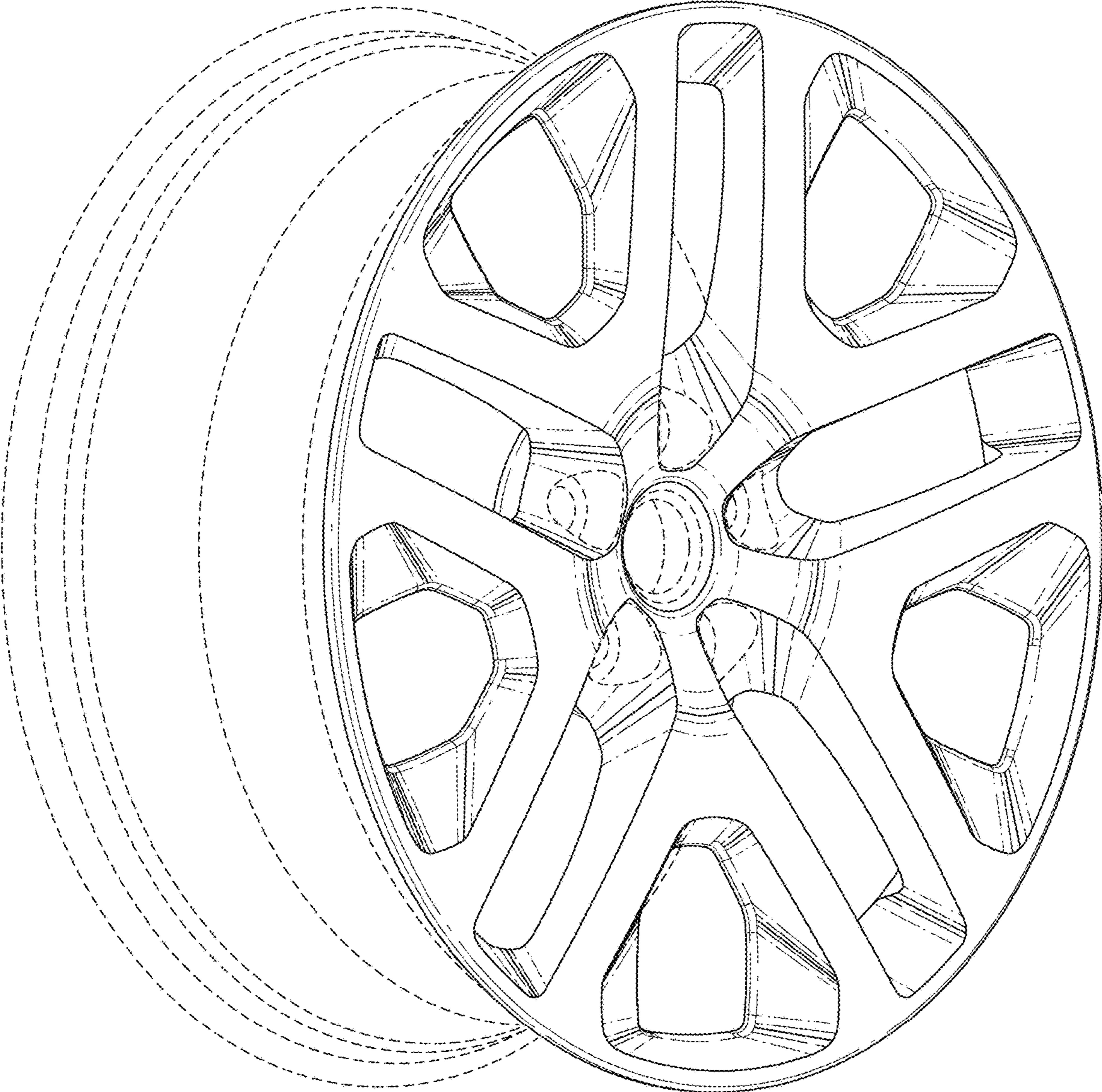


FIG. 1

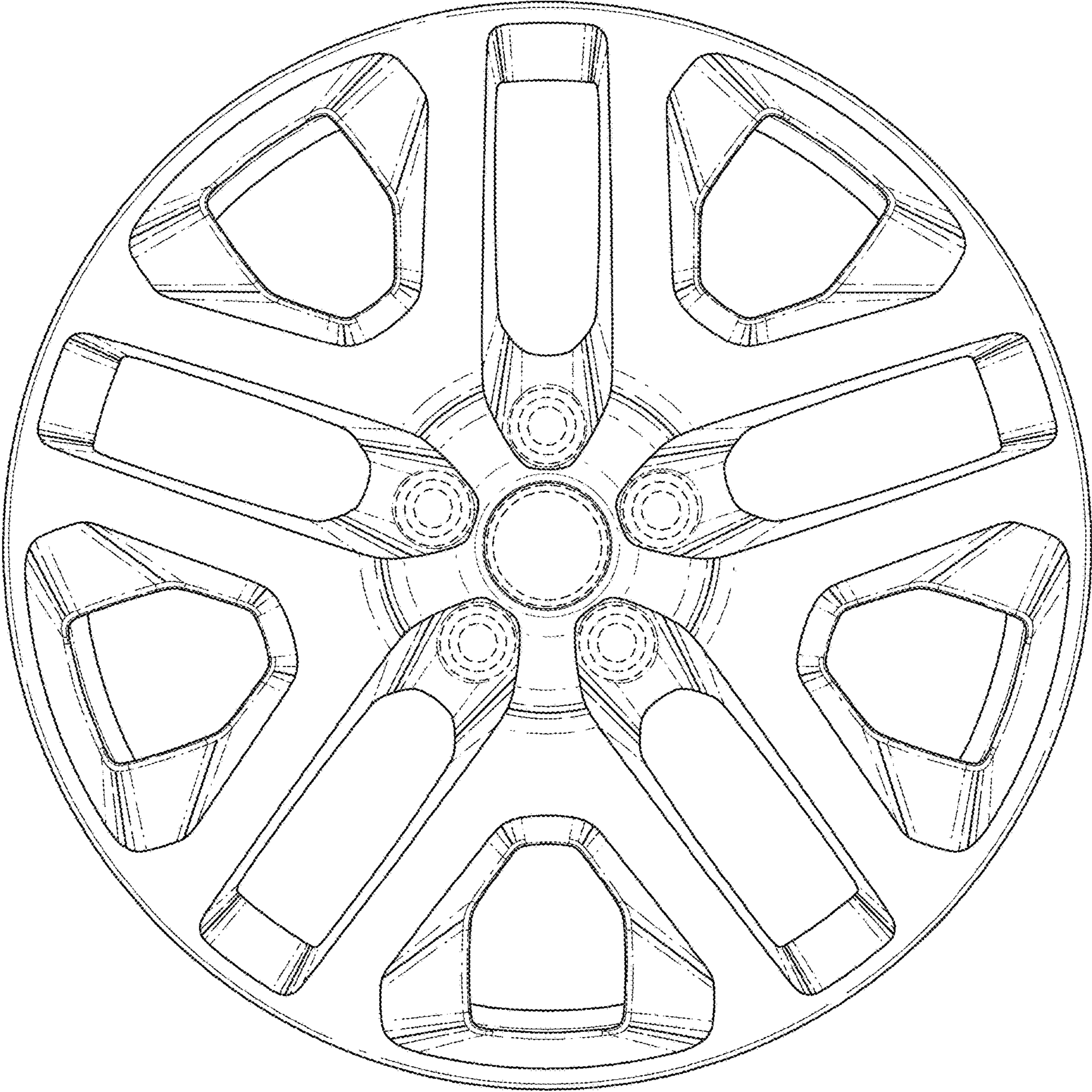


FIG. 2

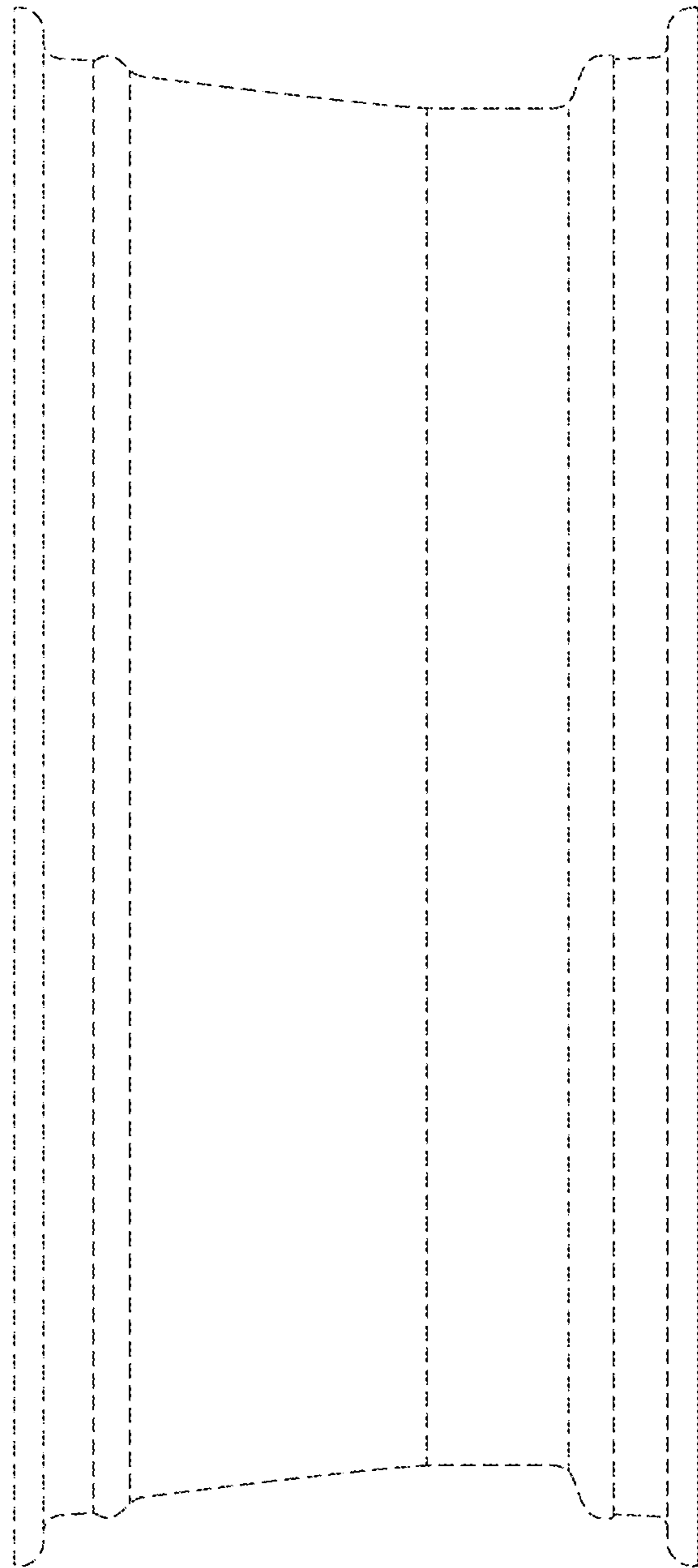


FIG. 3