



US00D877674S

(12) **United States Design Patent**  
**Procuik**

(10) **Patent No.:** **US D877,674 S**  
(45) **Date of Patent:** **\*\* Mar. 10, 2020**

- (54) **MUD FLAP SET**
- (71) Applicant: **FLAP TEK LTD**, Red Deer (CA)
- (72) Inventor: **Jared Procuik**, Lumby (CA)
- (73) Assignee: **Flap Tek Ltd**, Red Deer (CA)
- (\*\*) Term: **15 Years**
- (21) Appl. No.: **29/642,207**
- (22) Filed: **Mar. 28, 2018**
- (51) **LOC (12) Cl.** ..... **12-16**
- (52) **U.S. Cl.**  
USPC ..... **D12/184**
- (58) **Field of Classification Search**  
USPC ..... D12/90, 91, 92, 93, 96, 181, 184, 185,  
D12/796, 202  
CPC ..... B62D 25/16; B62D 25/18; B62D 25/182;  
B62D 25/188; B60R 16/03; B60R 16/023  
See application file for complete search history.

- 8,608,203 B2 \* 12/2013 Downes ..... B62D 25/18  
280/848
- 8,973,981 B2 \* 3/2015 Vaughn, Jr. .... B60R 13/0861  
296/198
- D792,823 S \* 7/2017 Senatro ..... D12/185
- 9,963,174 B1 \* 5/2018 Cooper ..... B62D 25/188
- 9,969,436 B1 \* 5/2018 Gause ..... B60P 1/00
- 10,011,307 B2 \* 7/2018 Dyck ..... B62D 25/18
- D826,120 S \* 8/2018 DiCanzio ..... D12/185
- 10,059,379 B2 \* 8/2018 Mason ..... B62D 25/182
- 10,106,201 B2 \* 10/2018 Kowalk ..... B62D 25/16
- 10,207,744 B1 \* 2/2019 Smith ..... B62D 25/186
- 10,246,134 B1 \* 4/2019 Radyk ..... B62D 25/18

\* cited by examiner

*Primary Examiner* — Susan Bennett Hattan  
*Assistant Examiner* — Suzanne E Tisdell  
(74) *Attorney, Agent, or Firm* — DLA Piper LLP (US)

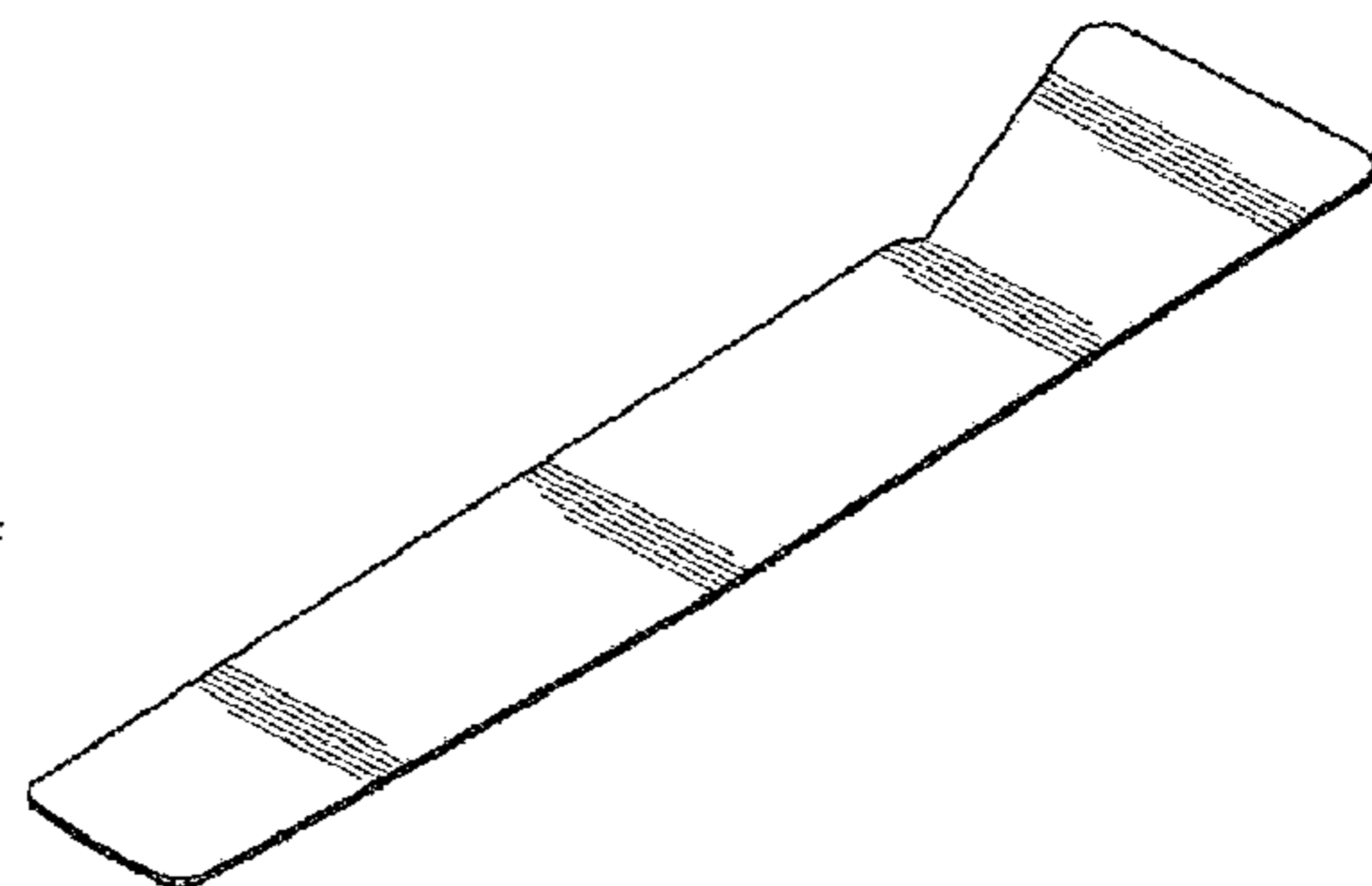
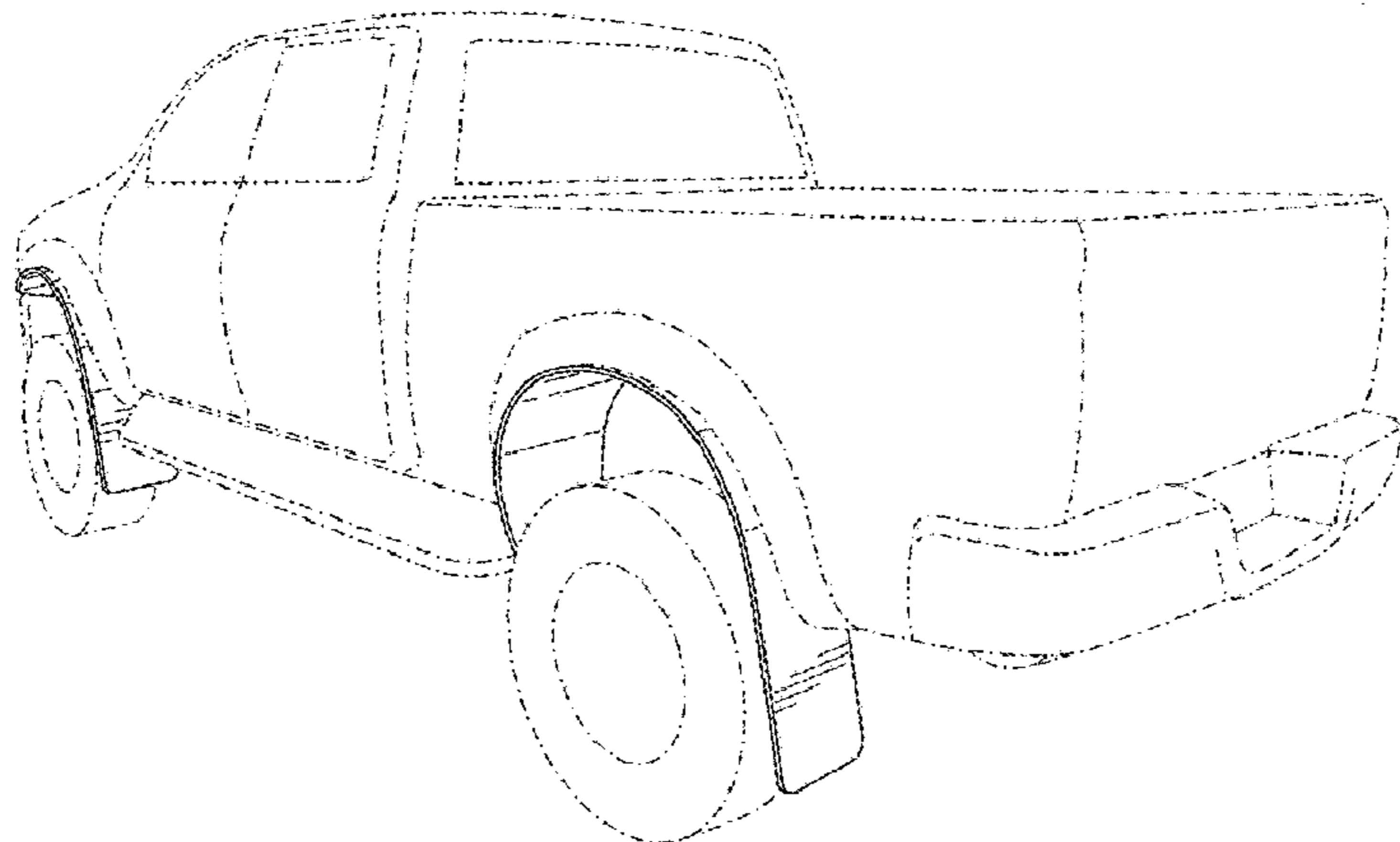
(57) **CLAIM**

The ornamental design for a mud flap set, as shown and described.

**DESCRIPTION**

FIG. 1 shows a perspective view of the article to which the design is applied, namely a mud flap set, as they may be attached to the front and rear wheel wells of an exemplary vehicle;  
FIG. 2 shows a perspective view of the design applied to a mud flap for the front wheel well of a vehicle;  
FIG. 3 shows a perspective view of the design applied to mud flap for the back wheel well of a vehicle;  
FIG. 4 shows a top view of the design applied to a mud flap for the front wheel well of a vehicle;  
FIG. 5 shows a side view of the design applied to a mud flap for the front wheel well of a vehicle;  
FIG. 6 shows a top view of the design applied to a mud flap for the rear wheel well of a vehicle; and,  
FIG. 7 shows a side view of the design applied to a mud flap for the rear wheel well of a vehicle.

**1 Claim, 4 Drawing Sheets**



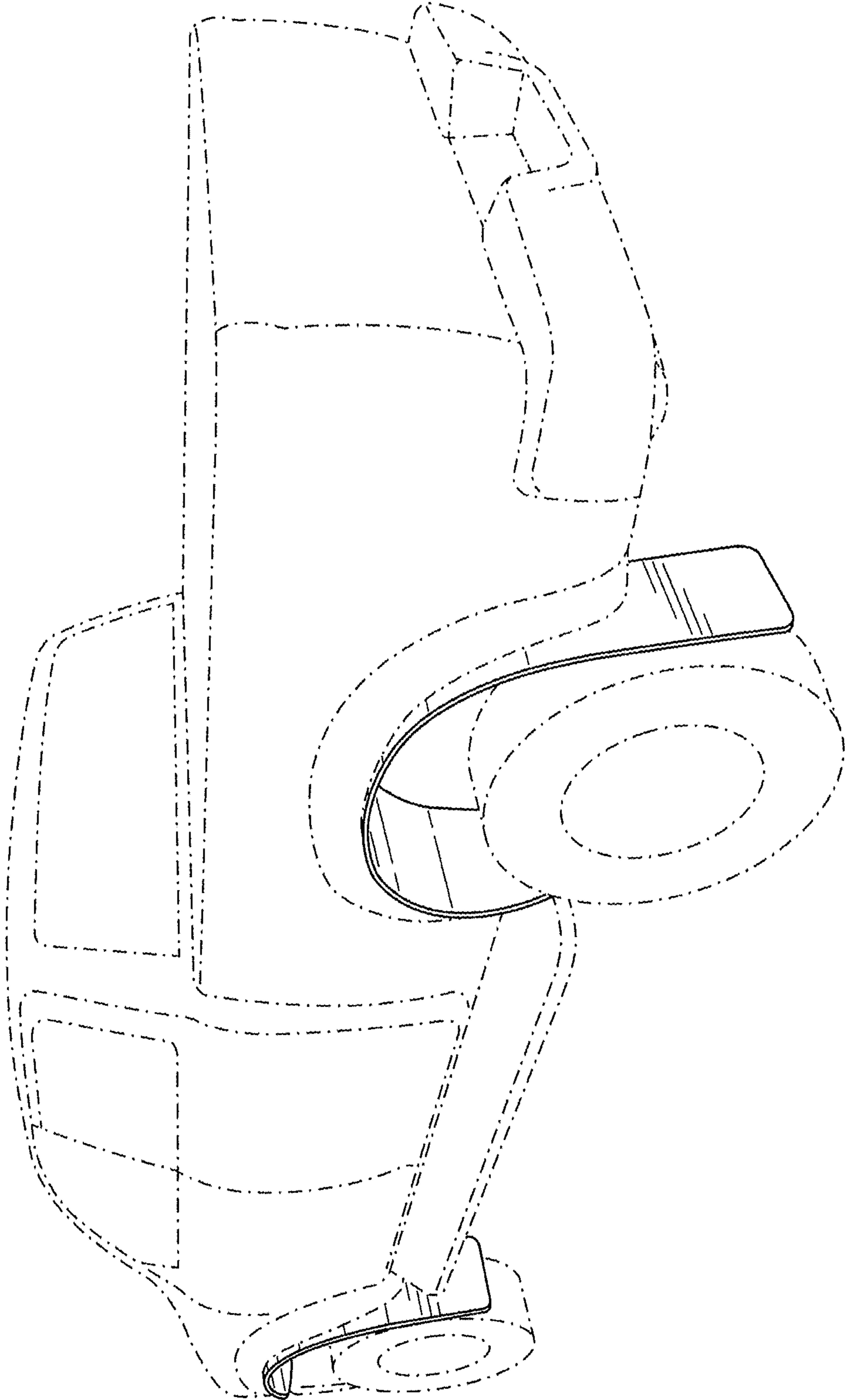


Fig. 1

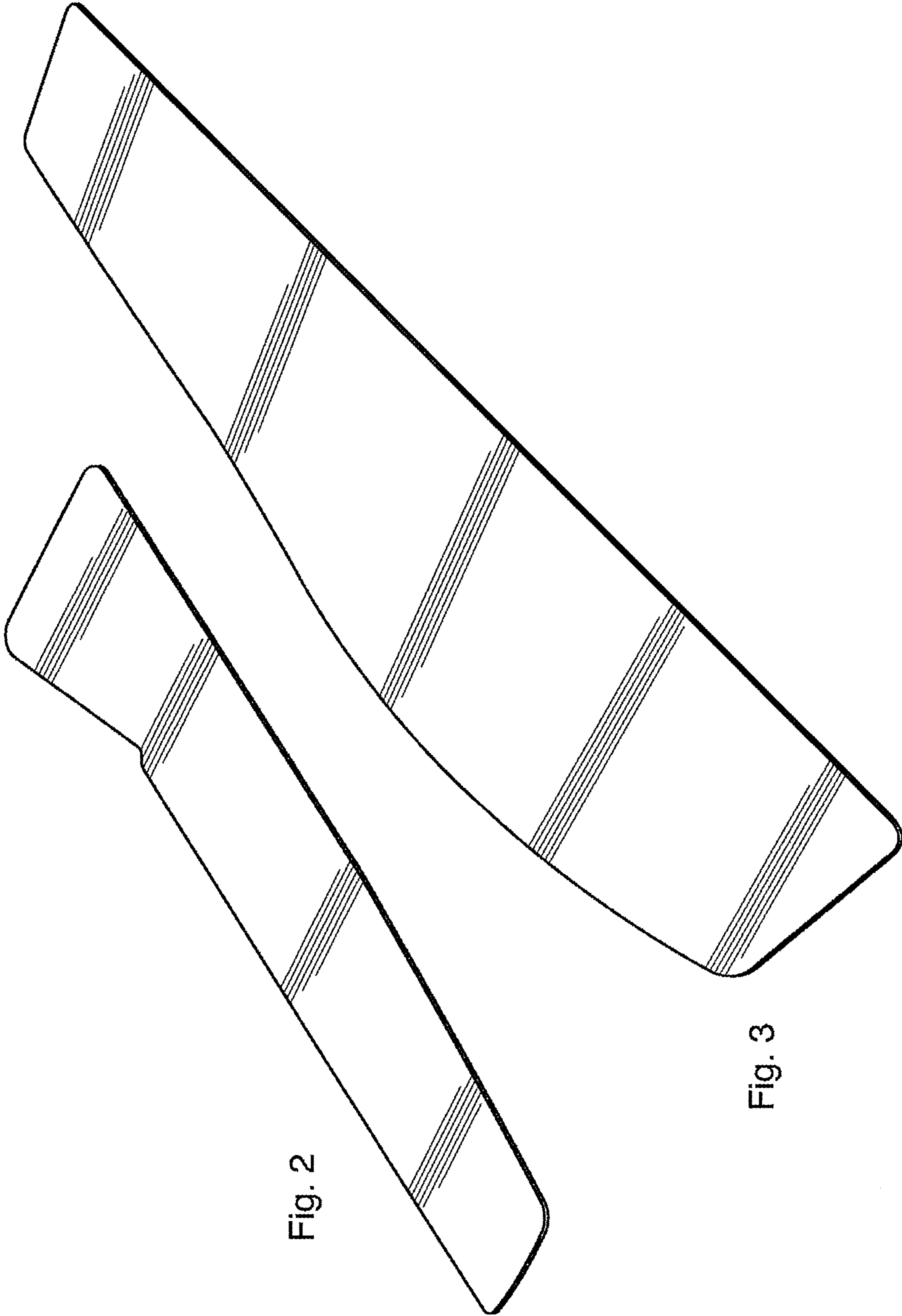


Fig. 2

Fig. 3

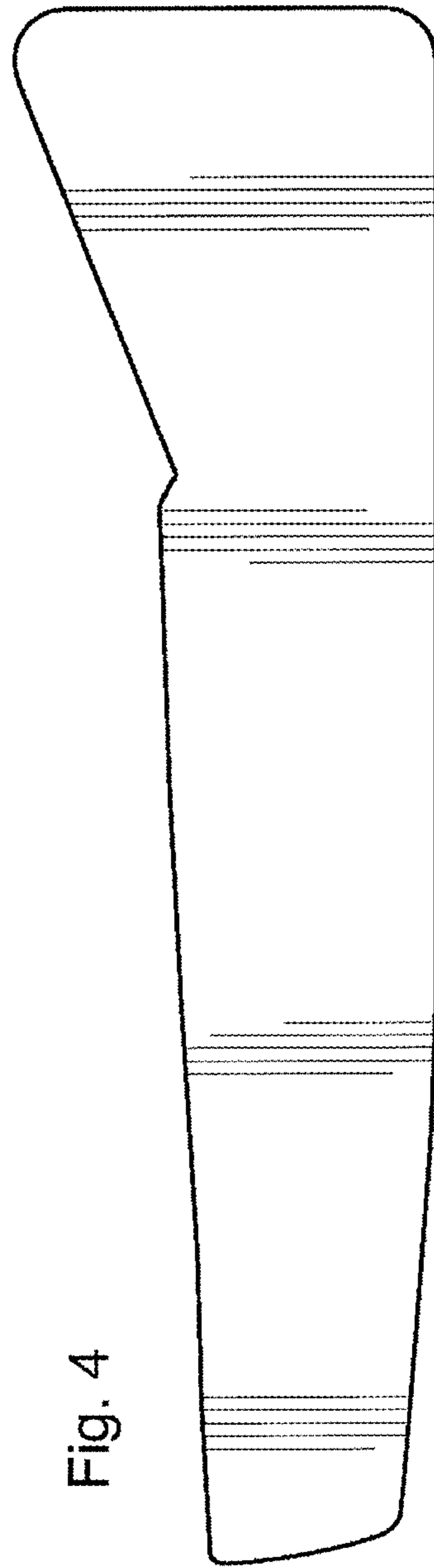


Fig. 4



Fig. 5

Fig. 6

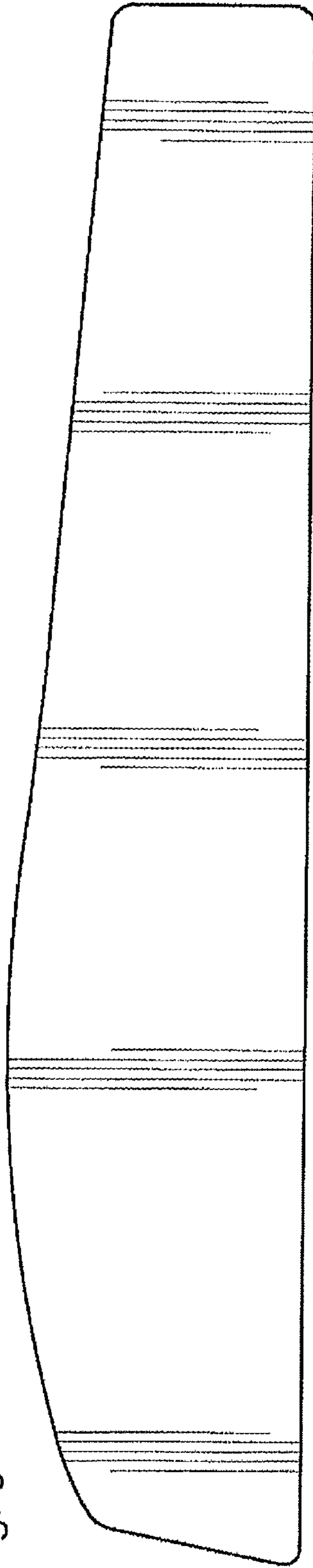


Fig. 7

